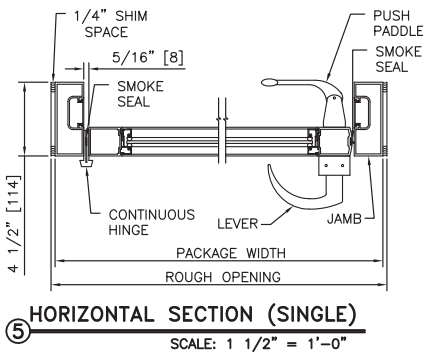
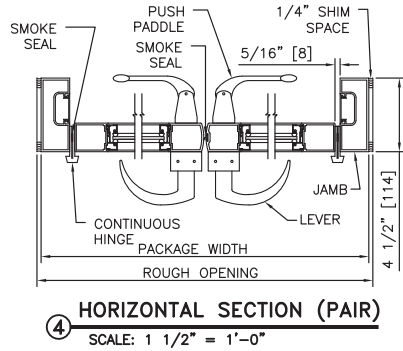
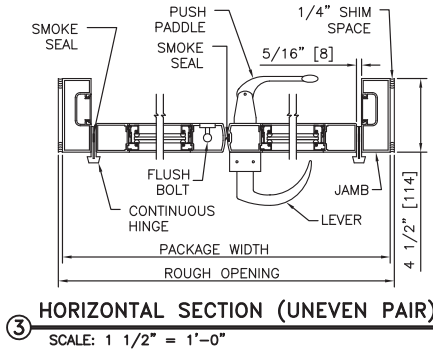
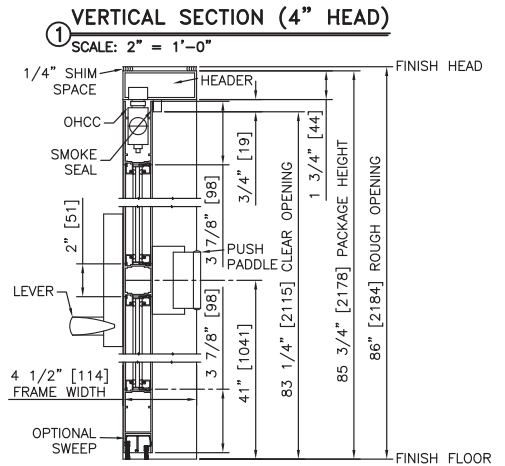
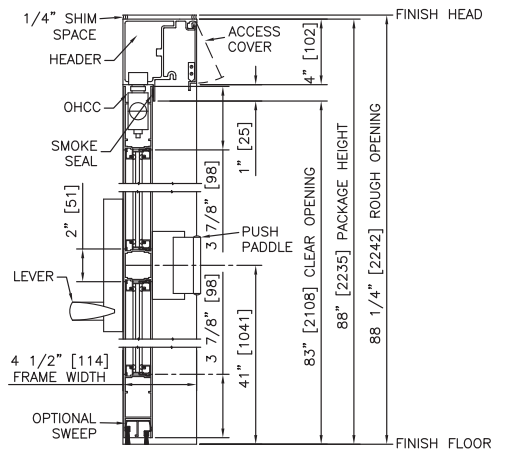
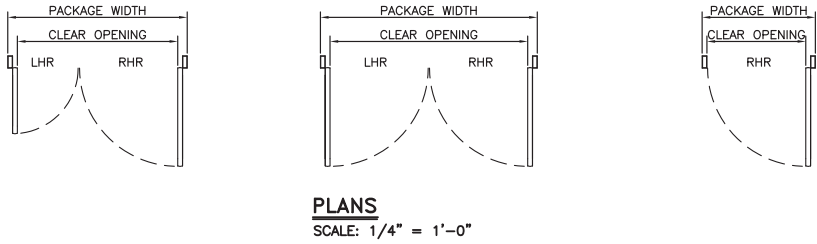
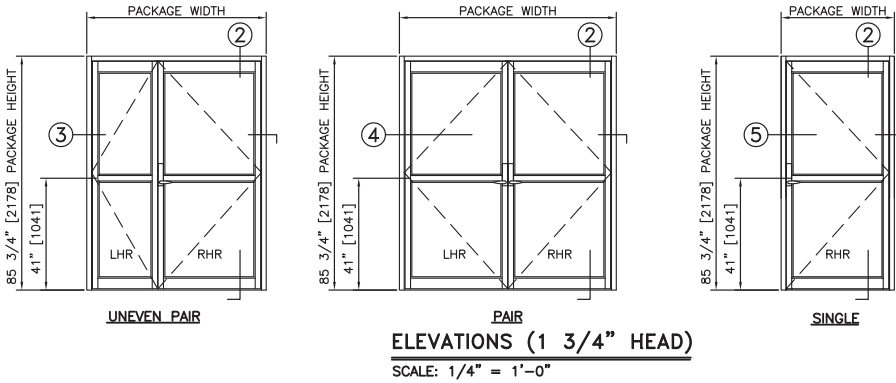




CONFIGURATIONS:	Swing Doors; Singles, Pairs, Uneven Pairs
TYPICAL HEIGHT:	85 3/4" (Std); 88" (4" Head); taller available.
TYPICAL WIDTH:	Single: 39 1/2" to 51 1/2" Pair: 75 1/2" to 99 1/2" Uneven Pair: 63 1/2" to 75 1/2"
HEADER SIZE:	1 3/4" (Std), or 4" Nominal Height
BREAKOUT:	Full for all active panels
JAMB DIMENSION:	4 1/2" x 1 3/4"
CLEAR DOOR OPENING:	Single: 32 1/4" to 44 1/4" Pair: 61" to 85" Uneven Pair: 52" to 64"
BREAKOUT OPENING:	2-Panel (Std-FBO); 78" to 102"; 90" at 96" (Std) Width
SUPPORTED GLAZING:	1/4" (Std); 5/8", 1/2", 1" Insulated supported
STILES:	Narrow (Std), and Medium
BOTTOM RAILS:	4" (Std), 6", 8", 10", 12", other custom
FINISHES:	Anodized, PVDF Paint, Anti-Microbial (Touch Points or All)
HARDWARE OPTIONS:	Positive Latch, Locking, Self Closing (Active Panels)
LISTINGS:	UL1784
RATINGS:	UL 1784 Leakage (Smoke & Draft), +/- Pressure
CODES AND STANDARDS:	Smoke Provisions: NFPA 101, NFPA 105, IBC



TYPICAL PACKAGE DIMENSIONS, UNEVEN PAIR				
PACKAGE WIDTH	NOMINAL CLEAR OPENING	NOMINAL ACTIVE PANEL WIDTH	NOMINAL INACTIVE PANEL WIDTH	ROUGH OPENING
63.5"	55.5"	36.0"	24.0"	64.0"
69.5"	61.5"	42.0"	24.0"	70.0"
71.5"	63.5"	44.0"	24.0"	72.0"
75.5"	67.5"	48.0"	24.0"	76.0"

TYPICAL PACKAGE DIMENSIONS, PAIR			
PACKAGE WIDTH	NOMINAL CLEAR OPENING	NOMINAL PANEL WIDTH	ROUGH OPENING
75.5"	67.5"	36.0"	76.0"
87.5"	79.5"	42.0"	88.0"
91.5"	83.5"	44.0"	92.0"
99.5"	91.5"	48.0"	100.0"

TYPICAL PACKAGE DIMENSIONS, SINGLE			
PACKAGE WIDTH	NOMINAL CLEAR OPENING	NOMINAL PANEL WIDTH	ROUGH OPENING
39.5"	33.8"	36.0"	40.0"
45.5"	39.8"	42.0"	46.0"
47.5"	41.8"	44.0"	48.0"
51.5"	45.8"	48.0"	52.0"

- NOTES**
- ROUGH OPENING SHALL PROVIDE 1/4"[6] SHIM SPACE ON SIDES AND TOP OF PACKAGE.
 - STANDARD PACKAGE INCLUDES POSITIVE LATCHING.
 - STANDARD GLAZING STOPS FOR ALL PANELS ARE 1/4"[6]; 5/8"[16] AND 1"[25] AVAILABLE.
 - STANDARD STILES, BOTTOM RAILS AND MUNTINS SHOWN; MEDIUM STILES, BOTTOM RAILS TO 18"[457], AND 4 1/4"[108] MUNTINS AVAILABLE.
 - NOT ALL CONFIGURATIONS SHOWN. INACTIVE LEAF OF UNEVEN PAIR HAS MINIMUM WITH OF 12"[305]; ACTIVE LEAVES HAVE A MAXIMUM WIDTH OF 48"[1219] AND A MINIMUM WIDTH OF 36"[914].
 - ALL ACTIVE PANELS INCLUDE OVERHEAD CONCEALED CLOSERS (OHCC) WITH STOP.
 - PRODUCTS SHOWN ARE CERTIFIED AS AN EFFECTIVE BARRIER AGAINST THE PASSAGE OF SMOKE IN ACCORDANCE WITH UL1784.