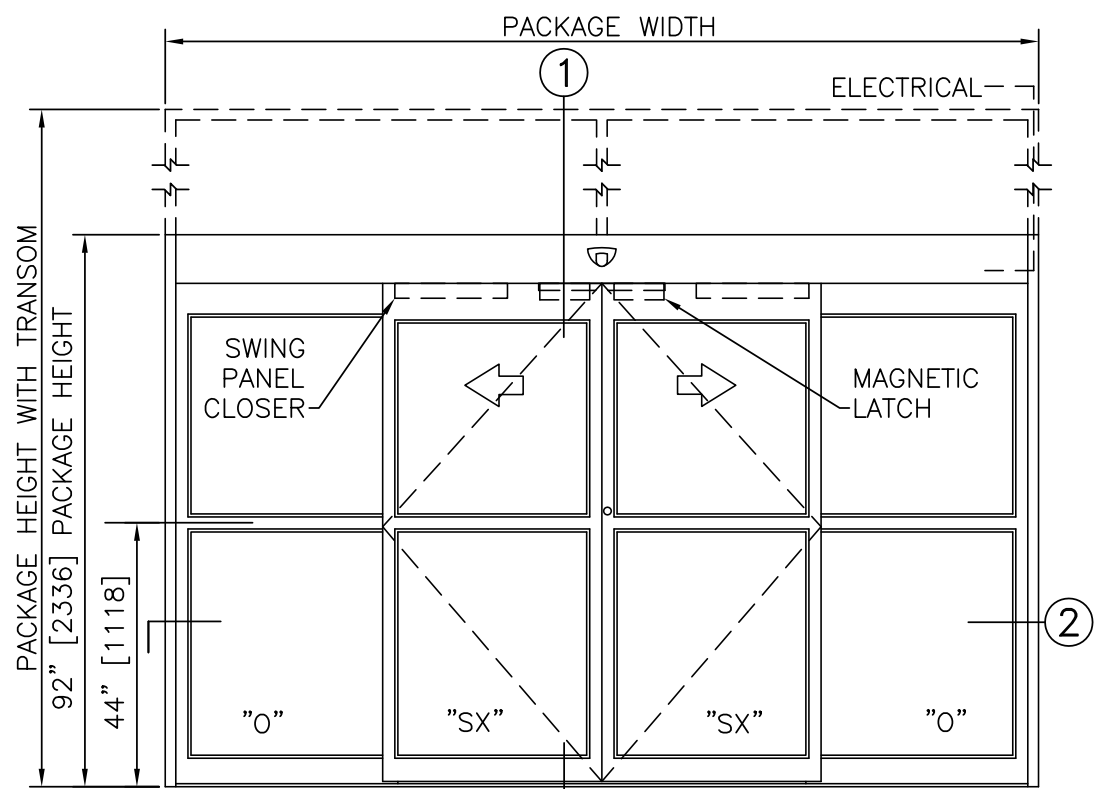




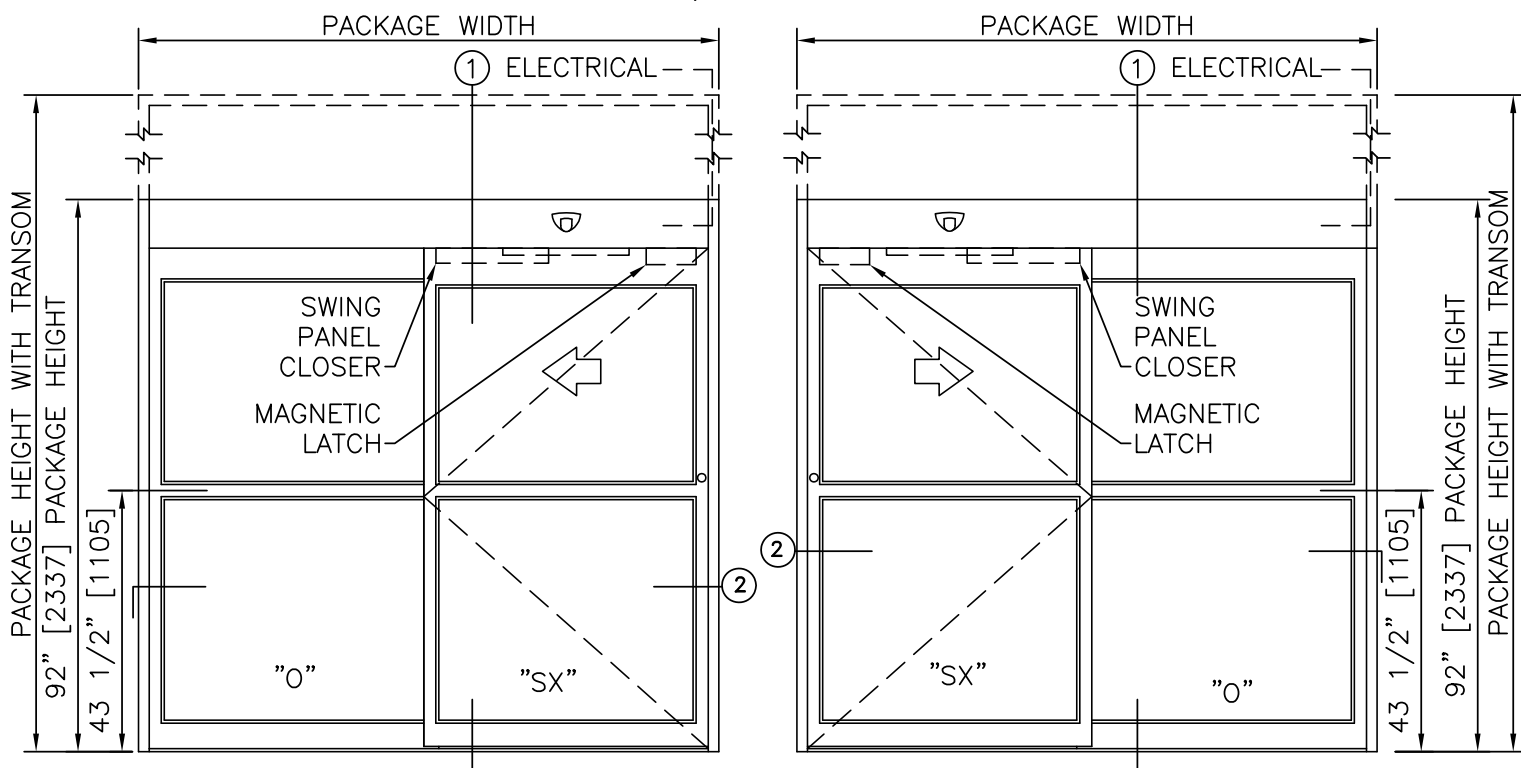
DURA-GLIDE GREENSTAR 2000 SERIES

| | |
|---------------------|-----------|
| GREEN-SET-GO OPTION | |
| PROJECT INFORMATION | |
| PROJECT NAME: | |
| LOCATION: | |
| DOOR NUMBER(S): | |
| DATE: | SHEET: OF |



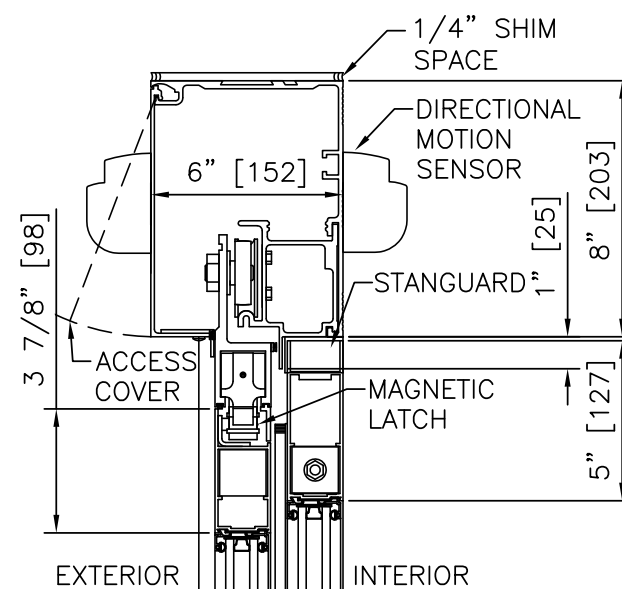
ELEVATION VIEW

SCALE: 3/8" = 1'-0"



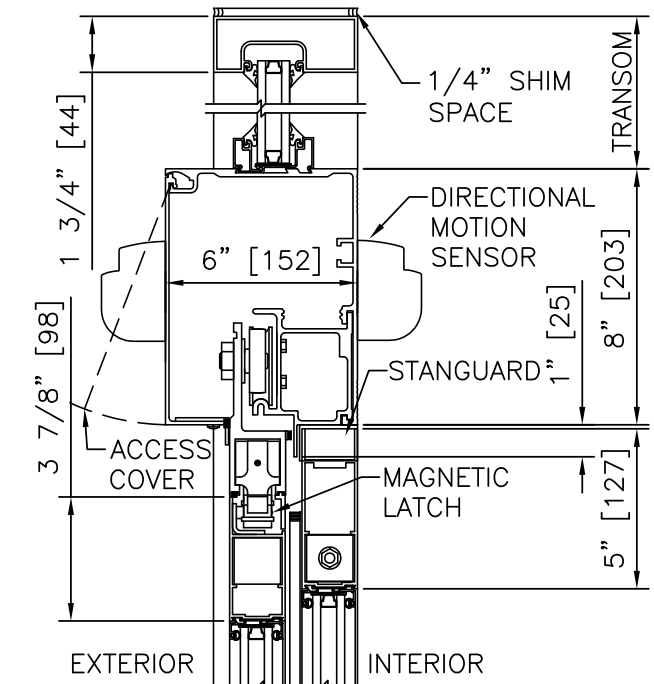
ELEVATION VIEW

SCALE: 3/8" = 1'-0"



1 VERTICAL SECTION

NO TRANSOM
SCALE: 2" = 1'-0"

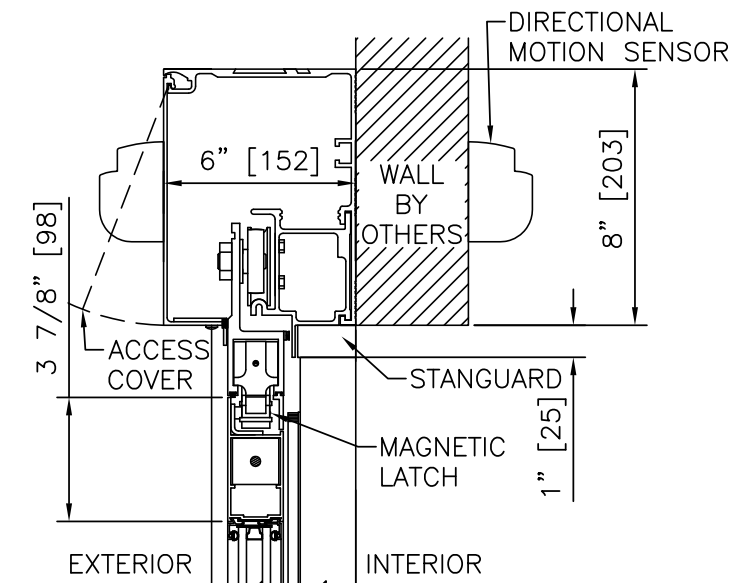


1 VERTICAL SECTION

WITH TRANSOM
SCALE: 2" = 1'-0"

NOTES

1. THE STANLEY GREEN-SET-GO OPTION INCLUDES HYDRAULIC PANEL CLOSERS AND MAGNETIC CATCHES DESIGNED TO RETURN BREAKOUT PANELS TO THEIR NORMAL SLIDING POSITION.
2. WITH THE GREEN-SET-GO OPTION TOP RAIL INCREASES FROM THE STANDARD 5" [127] HEIGHT TO 6" [152].



1 VERTICAL SECTION

SURFACE APPLIED
SCALE: 2" = 1'-0"

GREEN-SET-GO OPTION

DURA-GLIDE GREENSTAR 2000 SERIES

STANLEY Security

ACCESS TECHNOLOGIES