

STANLEY
Access Technologies

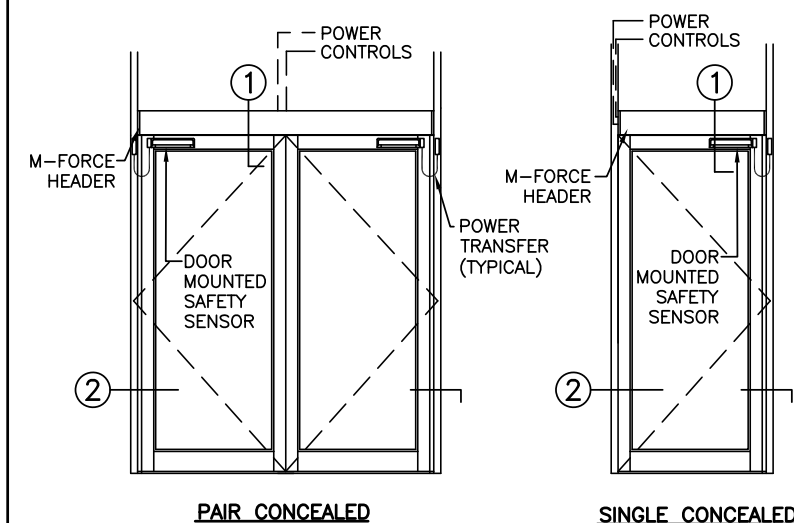
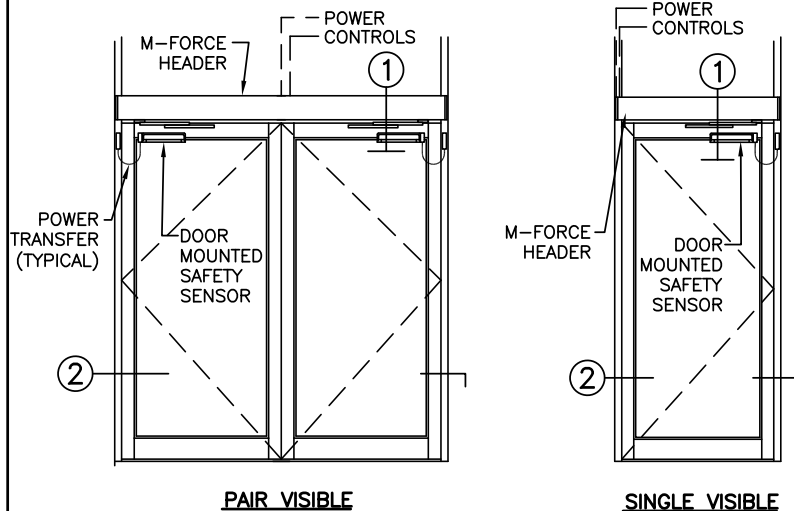
M-FORCE™
(NEXT GENERATION MAGIC-FORCE™)
WITH
SWING-GUARD® LE

LOW ENERGY OPERATOR ON ALUMINUM DOOR & FRAME

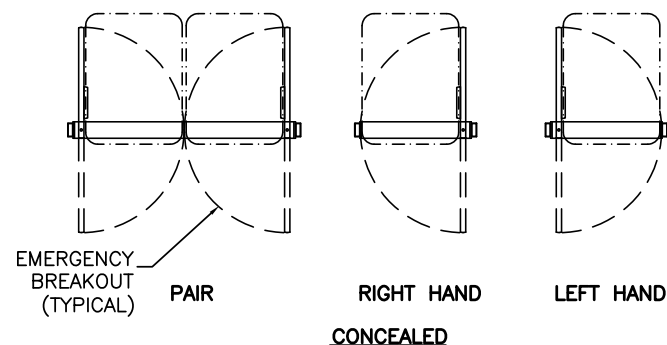
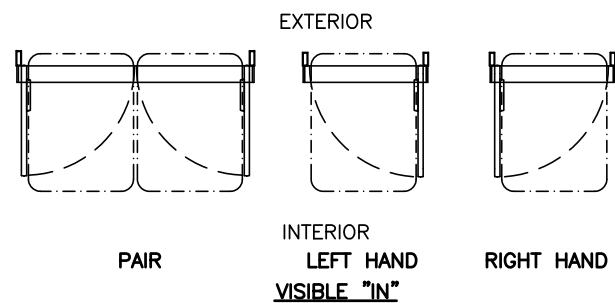
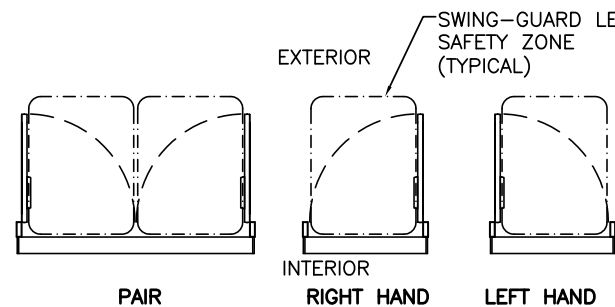
PROJECT INFORMATION

PROJECT NAME:	
LOCATION:	
DOOR NUMBER(S):	
DATE:	

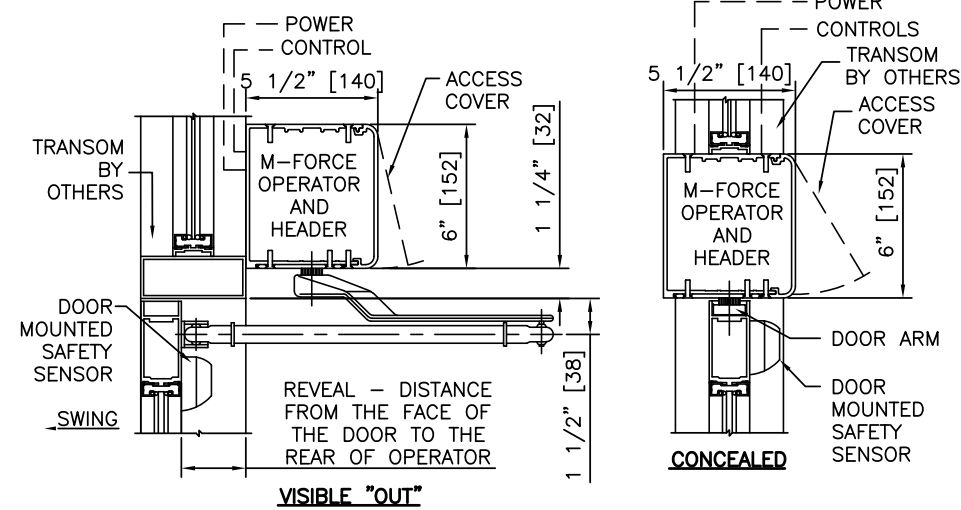
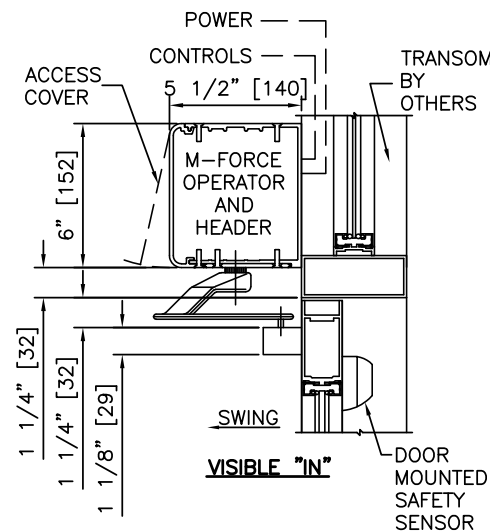
SHEET: OF



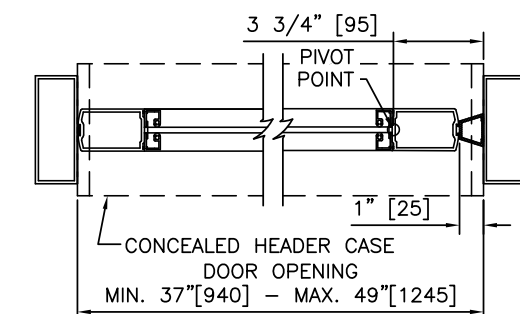
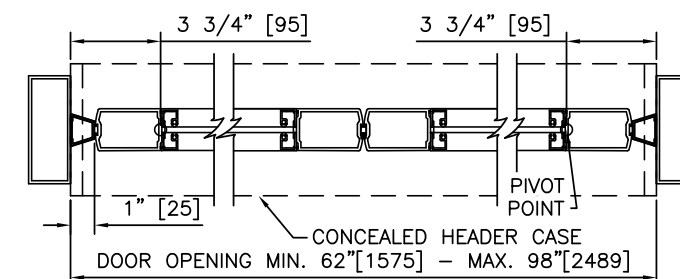
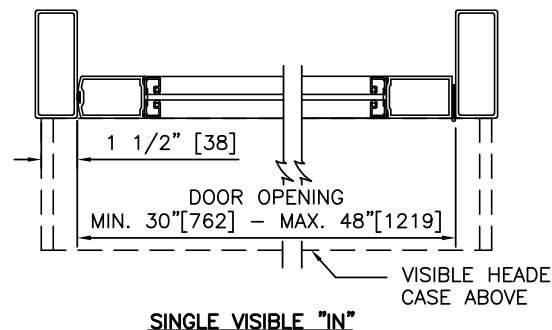
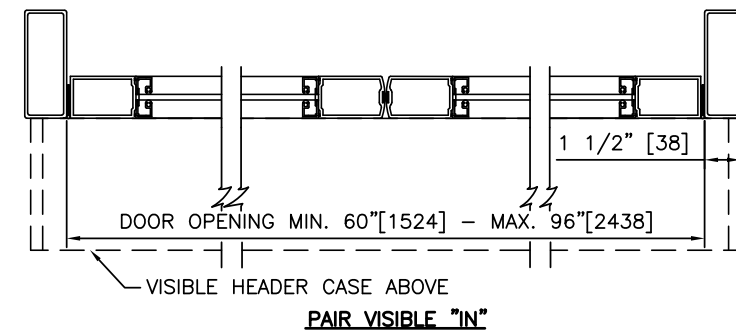
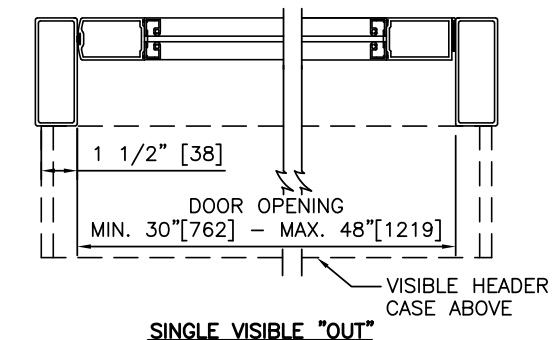
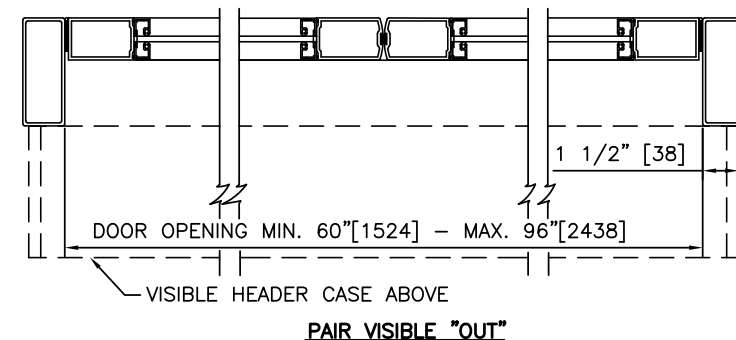
ELEVATIONS
SCALE: 1/4" = 1'-0"



PLAN VIEWS
SCALE: 3/16" = 1'-0"



1 VERTICAL SECTIONS
SCALE: 1 1/2" = 1'-0"



2 HORIZONTAL SECTIONS
SCALE: 1 1/2" = 1'-0"

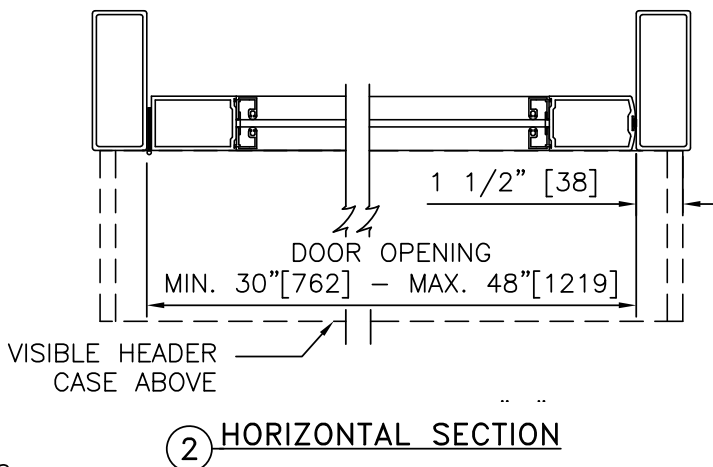
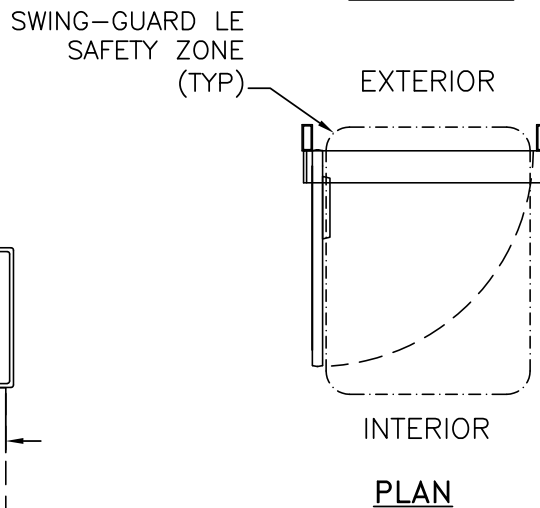
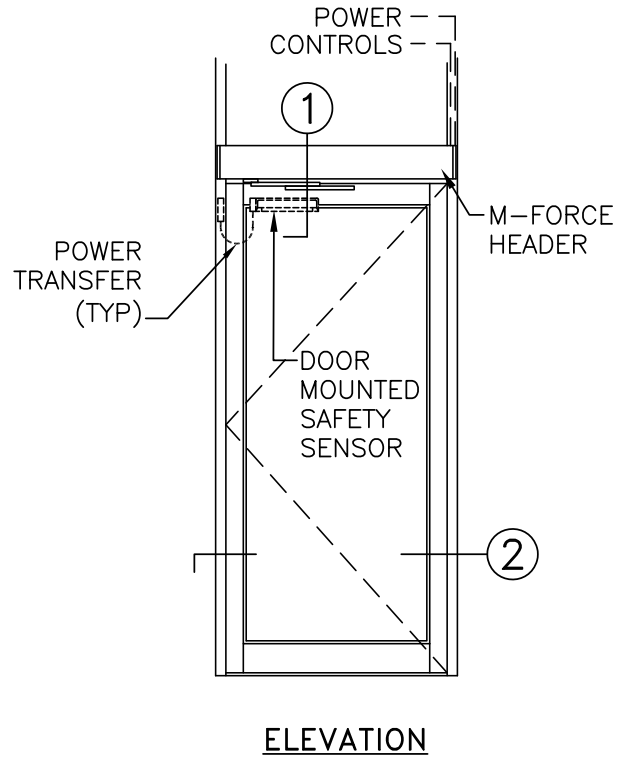
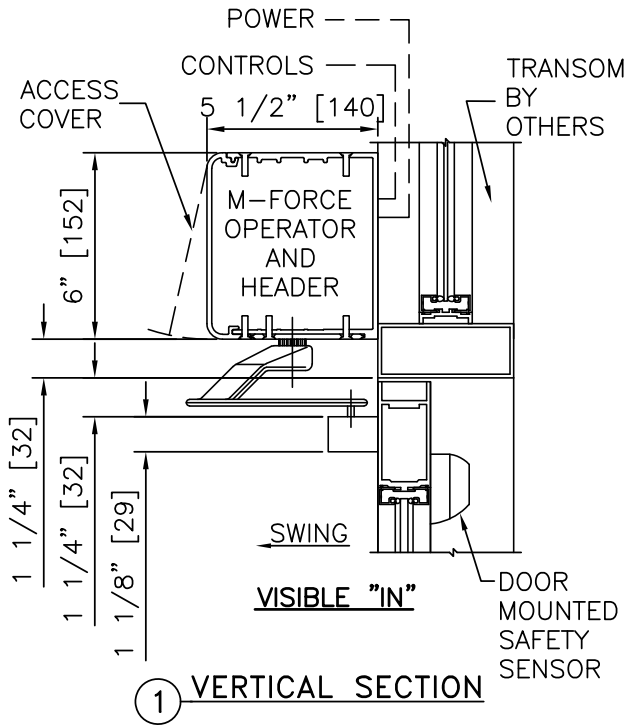
NOTES

- ELECTRICAL REQUIREMENTS: BY ELECTRICAL CONTRACTOR
 - 120 VAC, 5 AMP MIN TO OPERATOR.
 - CONTROL CIRCUIT FROM ACTIVATION TO OPERATOR.
- DOORS, FRAMES, AND HARDWARE BY OTHERS.
- DOORS MUST BE UN-LATCHED FOR PROPER OPERATION. PROVIDE TIME DELAY RELAY WHEN REQUIRED FOR PROPER OPERATION.
- LIMITS OF SAFETY ZONES ARE PROVIDED FOR REFERENCE ONLY.
- OPERATOR AND INSTALLATION TO COMPLY WITH ANSI/BHMA A156.19.
- SEE SPECIFICATIONS FOR ADDITIONAL INFORMATION.

LOW ENERGY OPERATOR ON ALUMINUM DOOR & FRAME

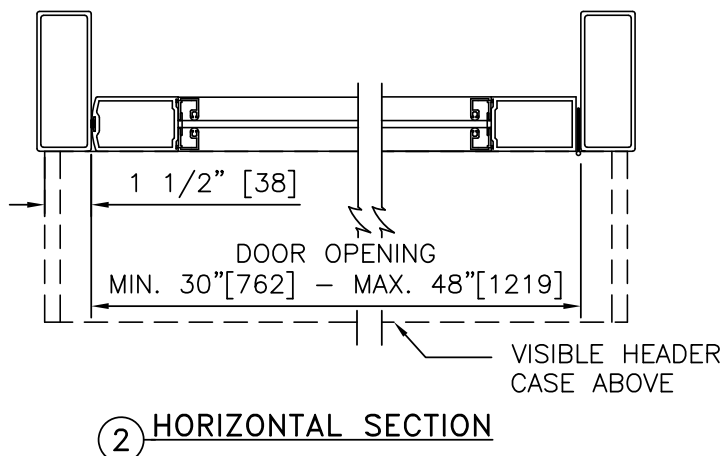
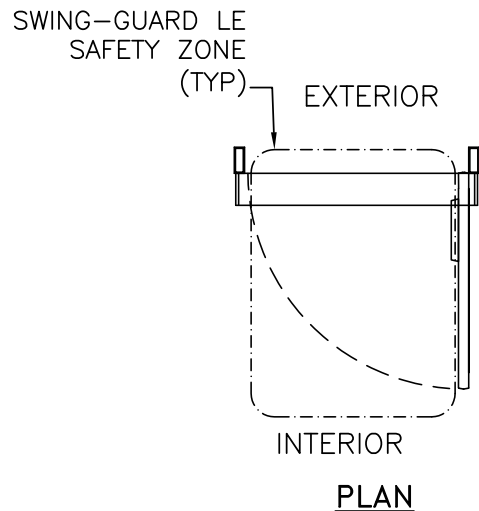
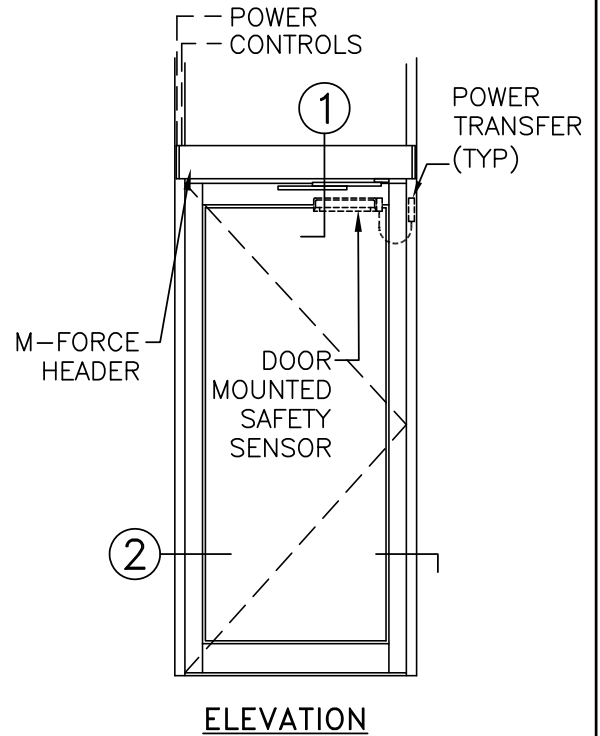
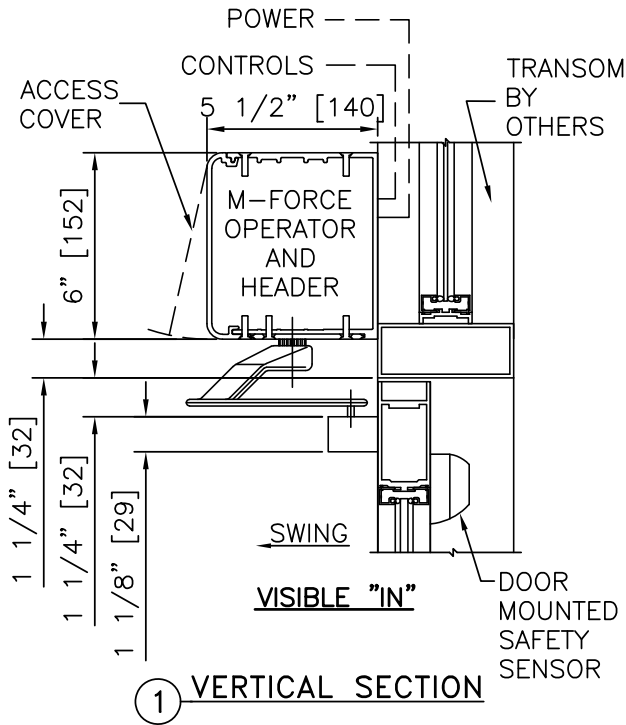
M-FORCE™
(NEXT GENERATION MAGIC-FORCE™)
WITH
SWING-GUARD® LE

STANLEY
Access Technologies



NOTES:

1. DETAILS NOT TO SCALE.
2. ELECTRICAL REQUIREMENTS: BY ELECTRICAL CONTRACTOR
 - 2.1. 120 VAC, 5 AMP MIN TO OPERATOR.
 - 2.2. CONTROL CIRCUIT FROM ACTIVATION TO OPERATOR.
3. DOORS, FRAMES, AND HARDWARE BY OTHERS.
4. DOORS MUST BE UN-LATCHED FOR PROPER OPERATION. PROVIDE TIME DELAY RELAY WHEN REQUIRED FOR PROPER OPERATION.
5. LIMITS OF SAFETY ZONES ARE PROVIDED FOR REFERENCE ONLY.
6. OPERATOR AND INSTALLATION TO COMPLY WITH ANSI/BHMA A156.19.
7. SEE SPECIFICATIONS FOR ADDITIONAL INFORMATION.



NOTES:

1. DETAILS NOT TO SCALE.
2. ELECTRICAL REQUIREMENTS: BY ELECTRICAL CONTRACTOR
 - 2.1. 120 VAC, 5 AMP MIN TO OPERATOR.
 - 2.2. CONTROL CIRCUIT FROM ACTIVATION TO OPERATOR.
3. DOORS, FRAMES, AND HARDWARE BY OTHERS.
4. DOORS MUST BE UN-LATCHED FOR PROPER OPERATION. PROVIDE TIME DELAY RELAY WHEN REQUIRED FOR PROPER OPERATION.
5. LIMITS OF SAFETY ZONES ARE PROVIDED FOR REFERENCE ONLY.
6. OPERATOR AND INSTALLATION TO COMPLY WITH ANSI/BHMA A156.19.
7. SEE SPECIFICATIONS FOR ADDITIONAL INFORMATION.

M-FORCE™
(NEXT GENERATION MAGIC-FORCE™)
WITH
SWING-GUARD® LE

LOW ENERGY OPERATOR, AL FRAME, VISIBLE, RIGHT HAND OUT

PROJECT INFORMATION

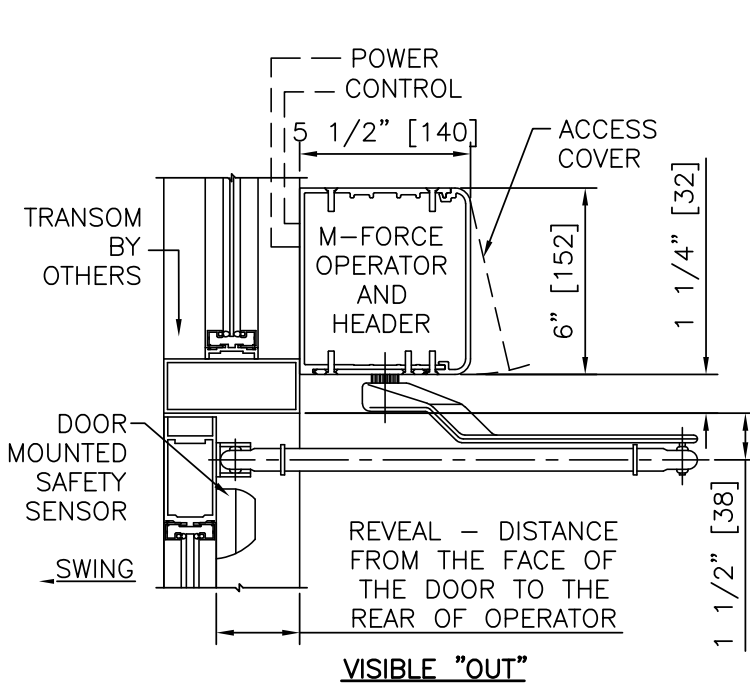
PROJECT NAME:

LOCATION:

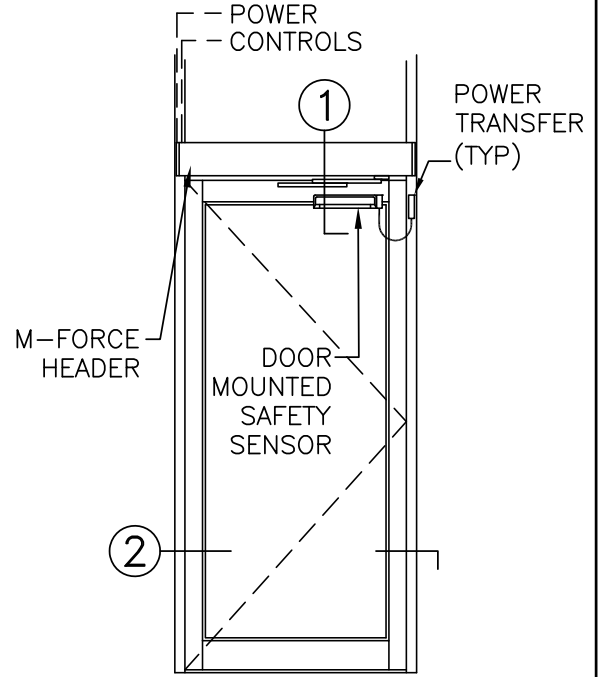
DOOR NUMBER(S):

DATE:

SHEET: OF

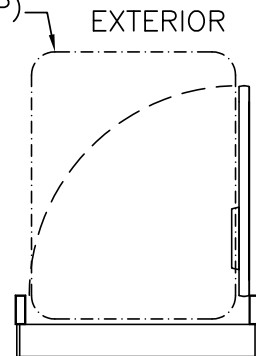


① VERTICAL SECTION

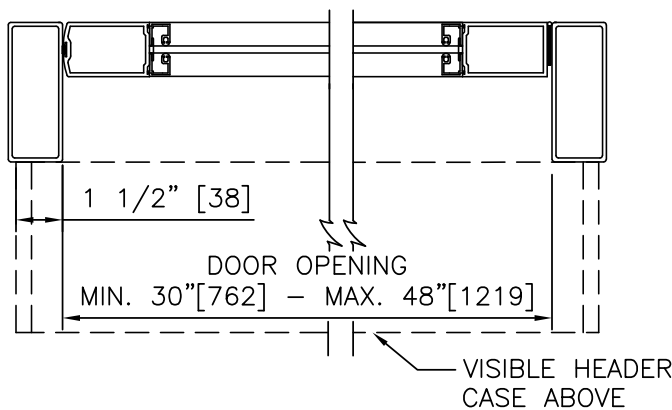


ELEVATION

SWING-GUARD LE
SAFETY ZONE
(TYP)



INTERIOR
PLAN



② HORIZONTAL SECTION

NOTES:

1. DETAILS NOT TO SCALE.
2. ELECTRICAL REQUIREMENTS: BY ELECTRICAL CONTRACTOR
 - 2.1. 120 VAC, 5 AMP MIN TO OPERATOR.
 - 2.2. CONTROL CIRCUIT FROM ACTIVATION TO OPERATOR.
3. DOORS, FRAMES, AND HARDWARE BY OTHERS.
4. DOORS MUST BE UN-LATCHED FOR PROPER OPERATION. PROVIDE TIME DELAY RELAY WHEN REQUIRED FOR PROPER OPERATION.
5. LIMITS OF SAFETY ZONES ARE PROVIDED FOR REFERENCE ONLY.
6. OPERATOR AND INSTALLATION TO COMPLY WITH ANSI/BHMA A156.19.
7. SEE SPECIFICATIONS FOR ADDITIONAL INFORMATION.

M-FORCE™
(NEXT GENERATION MAGIC-FORCE™)
WITH
SWING-GUARD® LE

LOW ENERGY OPERATOR, AL FRAME, VISIBLE, LEFT HAND OUT

PROJECT INFORMATION

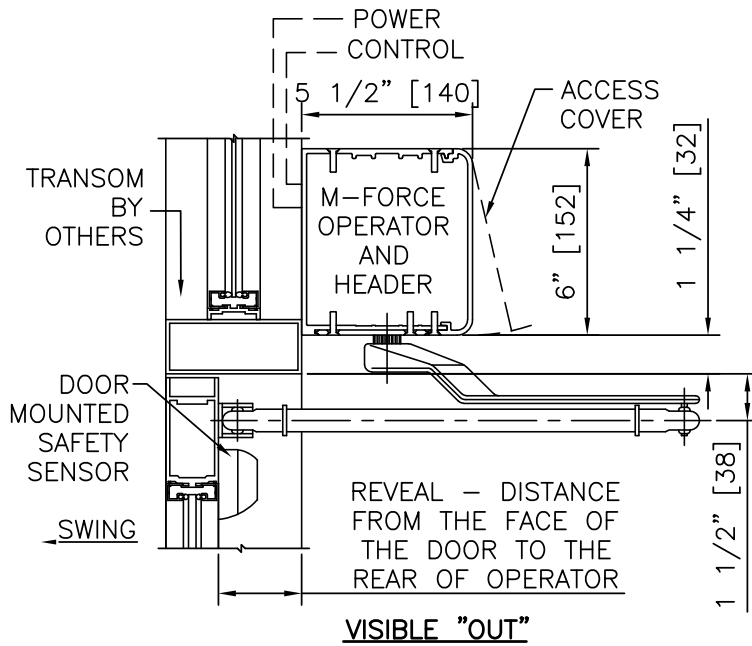
PROJECT NAME:

LOCATION:

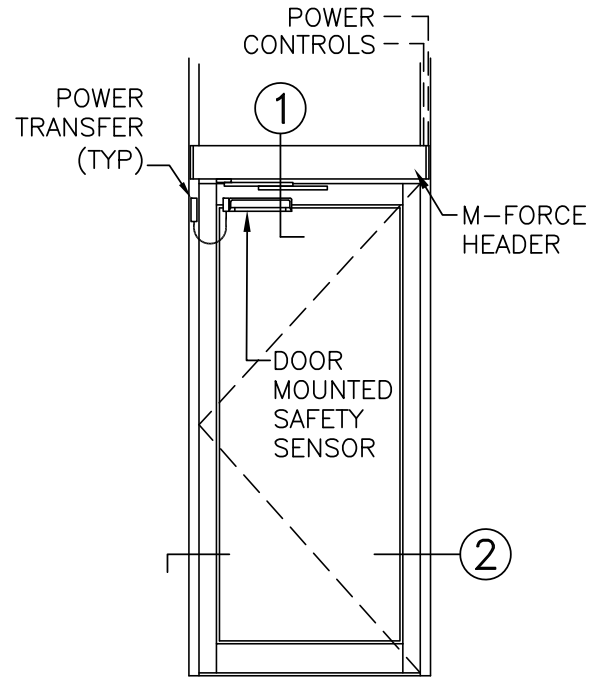
DOOR NUMBER(S):

DATE:

SHEET: OF

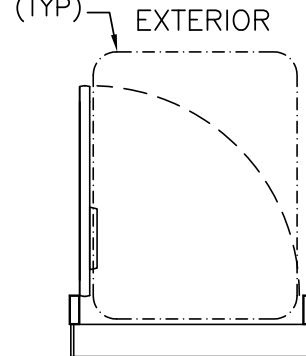


① VERTICAL SECTION

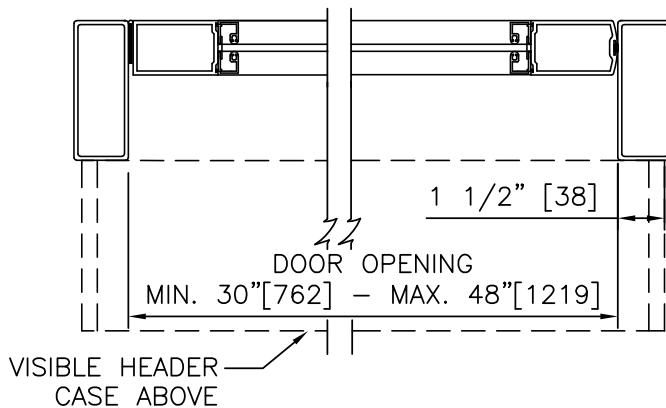


ELEVATION

SWING-GUARD LE
SAFETY ZONE
(TYP)



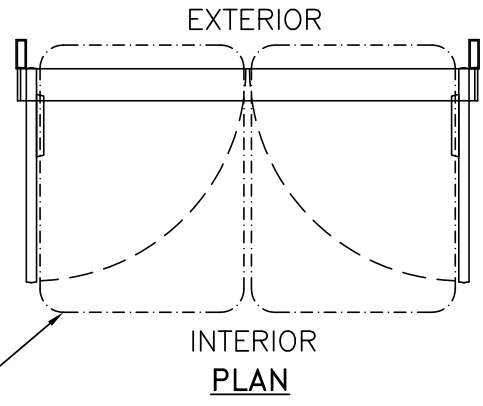
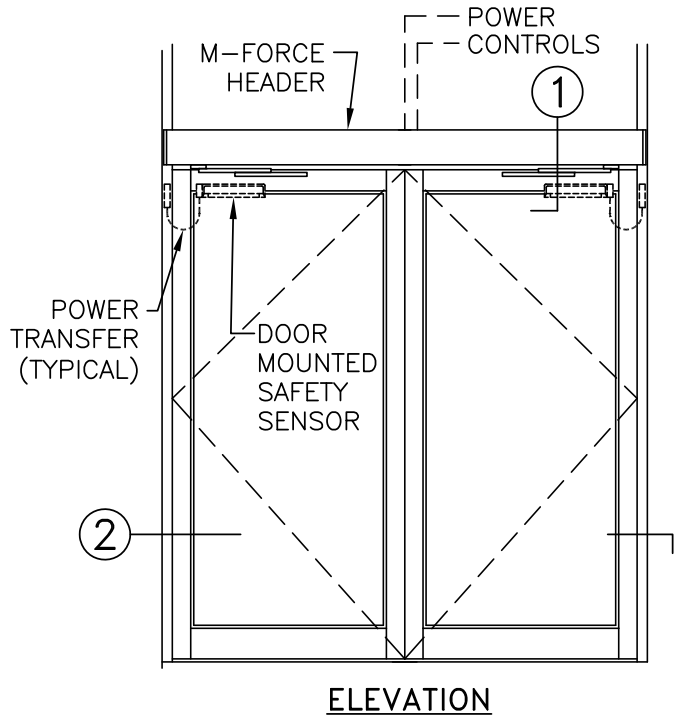
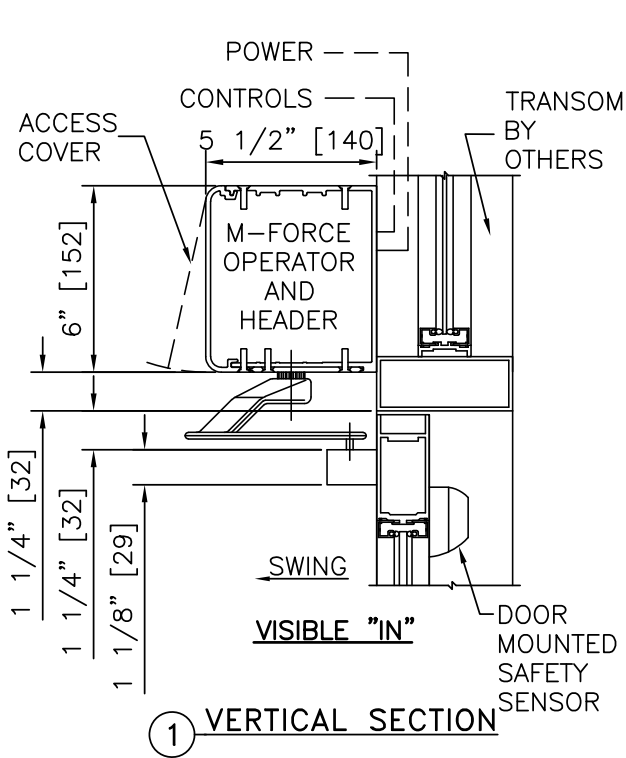
INTERIOR
PLAN



② HORIZONTAL SECTION

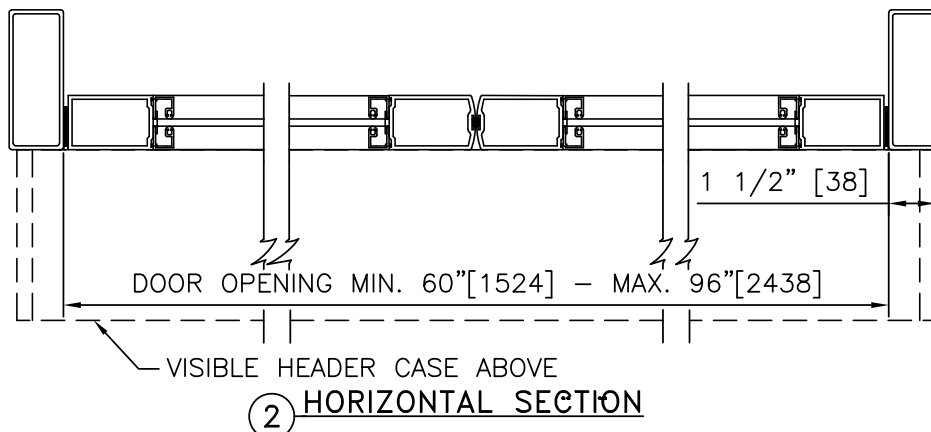
NOTES:

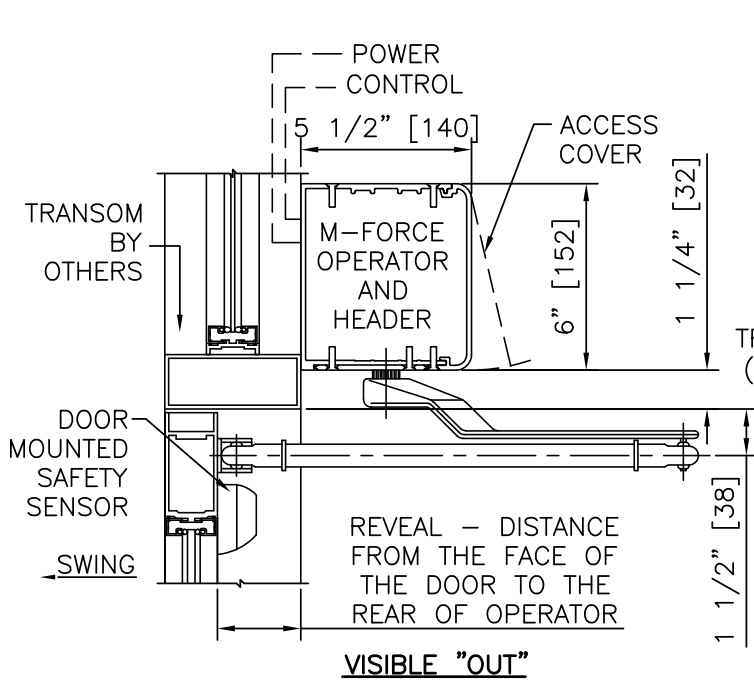
1. DETAILS NOT TO SCALE.
2. ELECTRICAL REQUIREMENTS: BY ELECTRICAL CONTRACTOR
 - 2.1. 120 VAC, 5 AMP MIN TO OPERATOR.
 - 2.2. CONTROL CIRCUIT FROM ACTIVATION TO OPERATOR.
3. DOORS, FRAMES, AND HARDWARE BY OTHERS.
4. DOORS MUST BE UN-LATCHED FOR PROPER OPERATION. PROVIDE TIME DELAY RELAY WHEN REQUIRED FOR PROPER OPERATION.
5. LIMITS OF SAFETY ZONES ARE PROVIDED FOR REFERENCE ONLY.
6. OPERATOR AND INSTALLATION TO COMPLY WITH ANSI/BHMA A156.19.
7. SEE SPECIFICATIONS FOR ADDITIONAL INFORMATION.



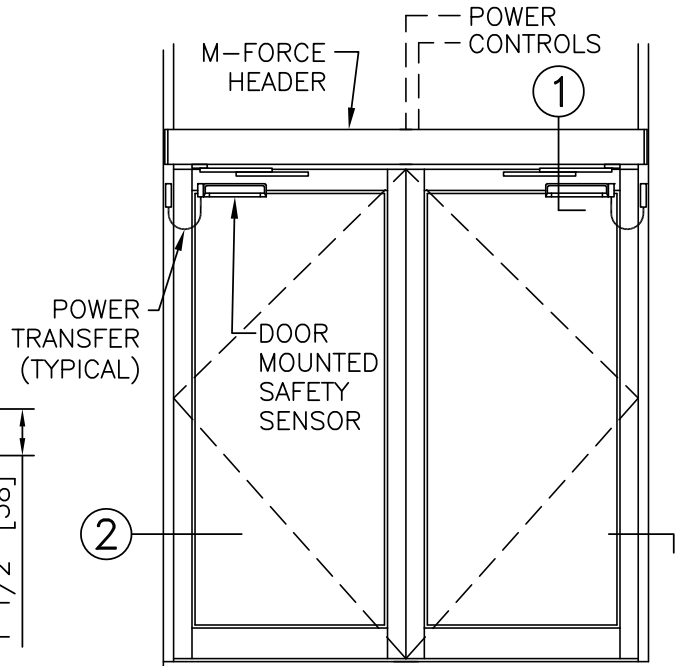
NOTES:

1. DETAILS NOT TO SCALE.
2. ELECTRICAL REQUIREMENTS: BY ELECTRICAL CONTRACTOR
 - 2.1. 120 VAC, 5 AMP MIN TO OPERATOR.
 - 2.2. CONTROL CIRCUIT FROM ACTIVATION TO OPERATOR.
3. DOORS, FRAMES, AND HARDWARE BY OTHERS.
4. DOORS MUST BE UN-LATCHED FOR PROPER OPERATION. PROVIDE TIME DELAY RELAY WHEN REQUIRED FOR PROPER OPERATION.
5. LIMITS OF SAFETY ZONES ARE PROVIDED FOR REFERENCE ONLY.
6. OPERATOR AND INSTALLATION TO COMPLY WITH ANSI/BHMA A156.19.
7. SEE SPECIFICATIONS FOR ADDITIONAL INFORMATION.



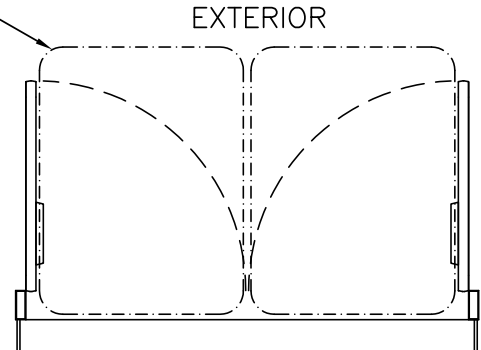


① VERTICAL SECTION



ELEVATION

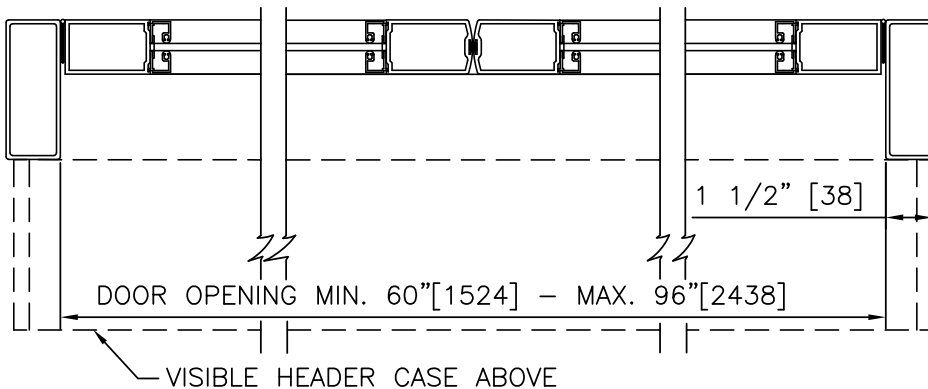
SWING-GUARD LE
SAFETY ZONE
(TYP)



INTERIOR
PLAN

NOTES:

1. DETAILS NOT TO SCALE.
2. ELECTRICAL REQUIREMENTS: BY ELECTRICAL CONTRACTOR
 - 2.1. 120 VAC, 5 AMP MIN TO OPERATOR.
 - 2.2. CONTROL CIRCUIT FROM ACTIVATION TO OPERATOR.
3. DOORS, FRAMES, AND HARDWARE BY OTHERS.
4. DOORS MUST BE UN-LATCHED FOR PROPER OPERATION. PROVIDE TIME DELAY RELAY WHEN REQUIRED FOR PROPER OPERATION.
5. LIMITS OF SAFETY ZONES ARE PROVIDED FOR REFERENCE ONLY.
6. OPERATOR AND INSTALLATION TO COMPLY WITH ANSI/BHMA A156.19.
7. SEE SPECIFICATIONS FOR ADDITIONAL INFORMATION.



② HORIZONTAL SECTION

M-FORCE™
(NEXT GENERATION MAGIC-FORCE™)
WITH
SWING-GUARD® LE

LOW ENERGY OPERATOR, AL FRAME, CONCEALED, RIGHT HAND

PROJECT INFORMATION

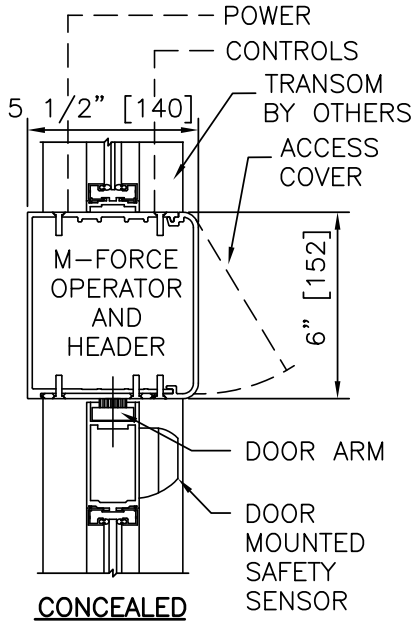
PROJECT NAME:

LOCATION:

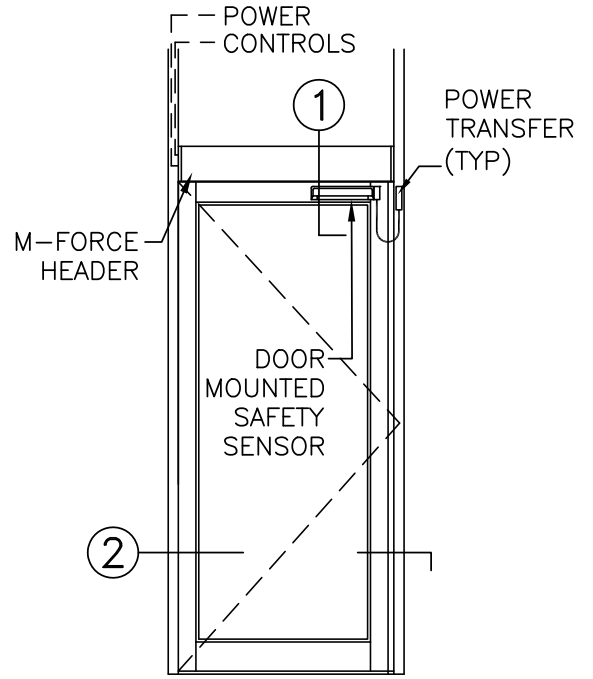
DOOR NUMBER(S):

DATE:

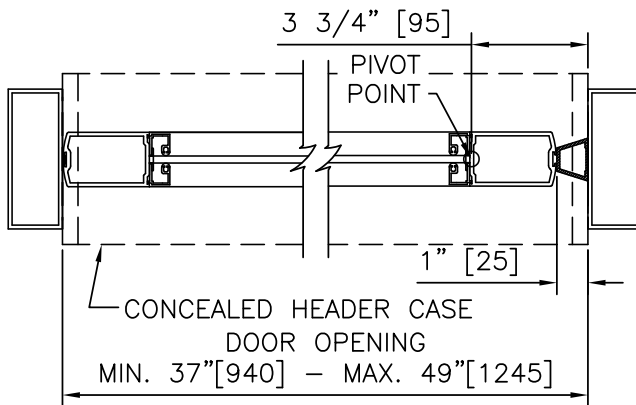
SHEET: OF



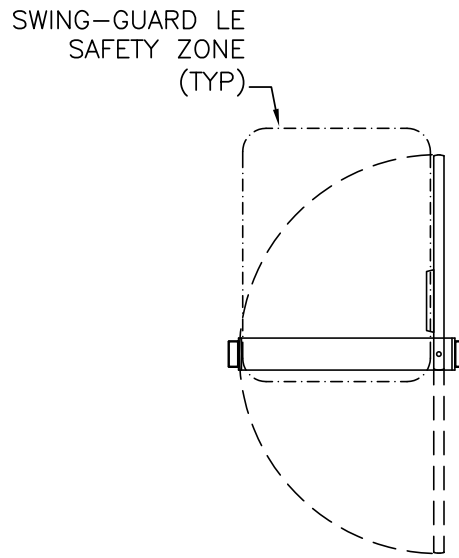
① VERTICAL SECTION



ELEVATION



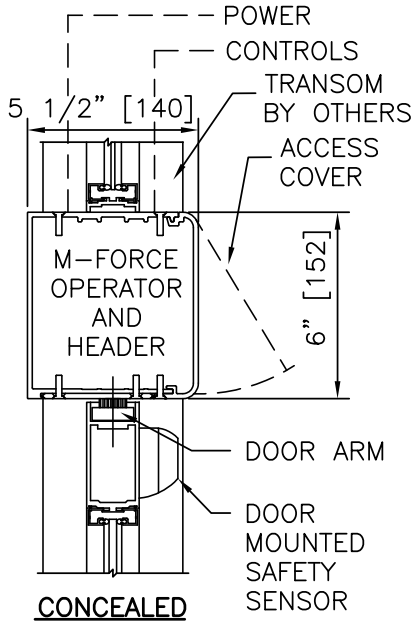
② HORIZONTAL SECTION



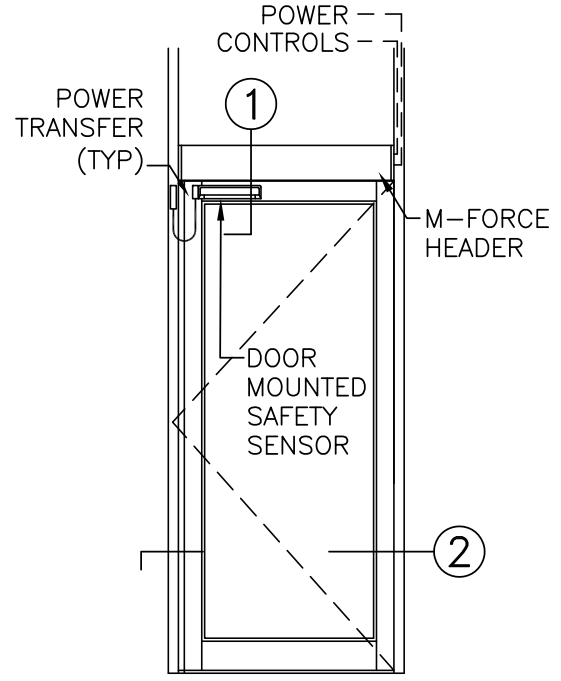
PLAN

NOTES:

1. DETAILS NOT TO SCALE.
2. ELECTRICAL REQUIREMENTS: BY ELECTRICAL CONTRACTOR
 - 2.1. 120 VAC, 5 AMP MIN TO OPERATOR.
 - 2.2. CONTROL CIRCUIT FROM ACTIVATION TO OPERATOR.
3. DOORS, FRAMES, AND HARDWARE BY OTHERS.
4. DOORS MUST BE UN-LATCHED FOR PROPER OPERATION. PROVIDE TIME DELAY RELAY WHEN REQUIRED FOR PROPER OPERATION.
5. LIMITS OF SAFETY ZONES ARE PROVIDED FOR REFERENCE ONLY.
6. OPERATOR AND INSTALLATION TO COMPLY WITH ANSI/BHMA A156.19.
7. SEE SPECIFICATIONS FOR ADDITIONAL INFORMATION.

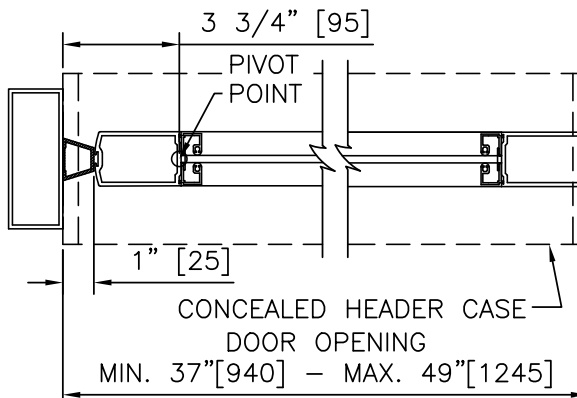


① VERTICAL SECTION

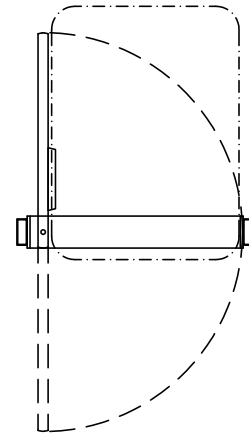


ELEVATION

SWING-GUARD LE
SAFETY ZONE
(TYP)



② HORIZONTAL SECTION



PLAN

NOTES:

1. DETAILS NOT TO SCALE.
2. ELECTRICAL REQUIREMENTS: BY ELECTRICAL CONTRACTOR
 - 2.1. 120 VAC, 5 AMP MIN TO OPERATOR.
 - 2.2. CONTROL CIRCUIT FROM ACTIVATION TO OPERATOR.
3. DOORS, FRAMES, AND HARDWARE BY OTHERS.
4. DOORS MUST BE UN-LATCHED FOR PROPER OPERATION. PROVIDE TIME DELAY RELAY WHEN REQUIRED FOR PROPER OPERATION.
5. LIMITS OF SAFETY ZONES ARE PROVIDED FOR REFERENCE ONLY.
6. OPERATOR AND INSTALLATION TO COMPLY WITH ANSI/BHMA A156.19.
7. SEE SPECIFICATIONS FOR ADDITIONAL INFORMATION.

M-FORCE™
(NEXT GENERATION MAGIC-FORCE™)
WITH
SWING-GUARD® LE

LOW ENERGY OPERATOR, AL FRAME, CONCEALED, PAIR

PROJECT INFORMATION

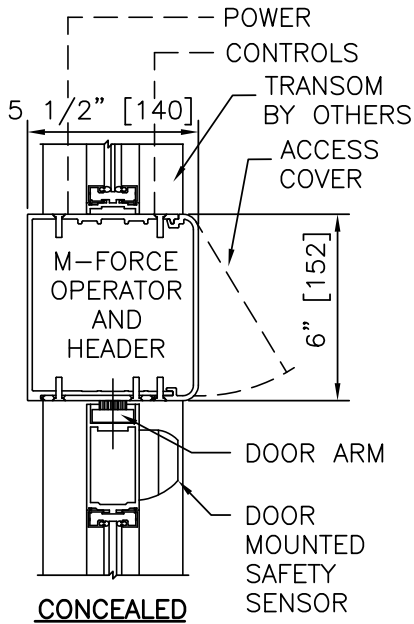
PROJECT NAME:

LOCATION:

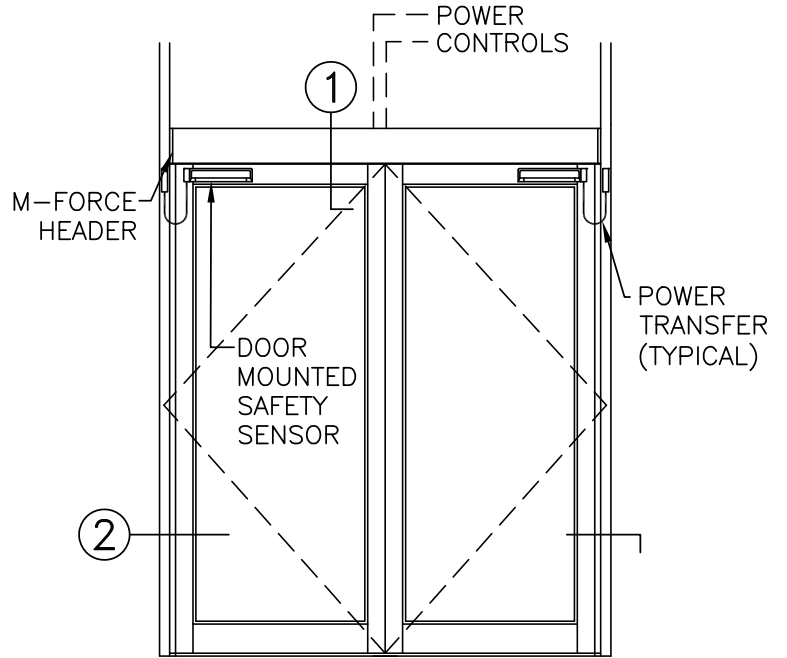
DOOR NUMBER(S):

DATE:

SHEET: OF

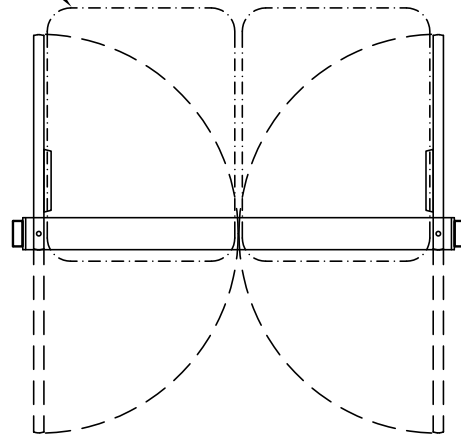


① VERTICAL SECTION



ELEVATION

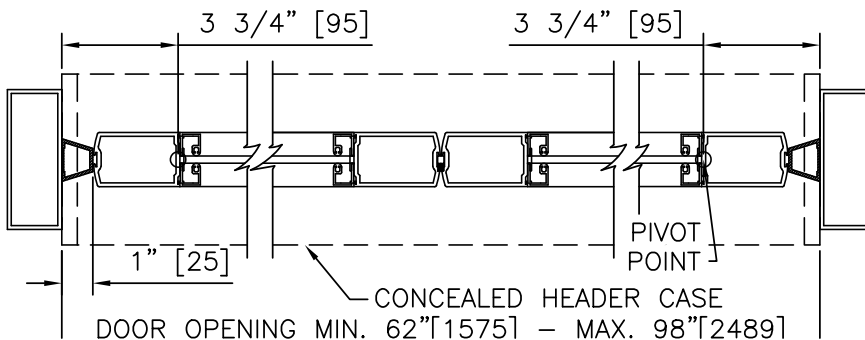
SWING-GUARD LE
SAFETY ZONE
(TYP)



PLAN

NOTES:

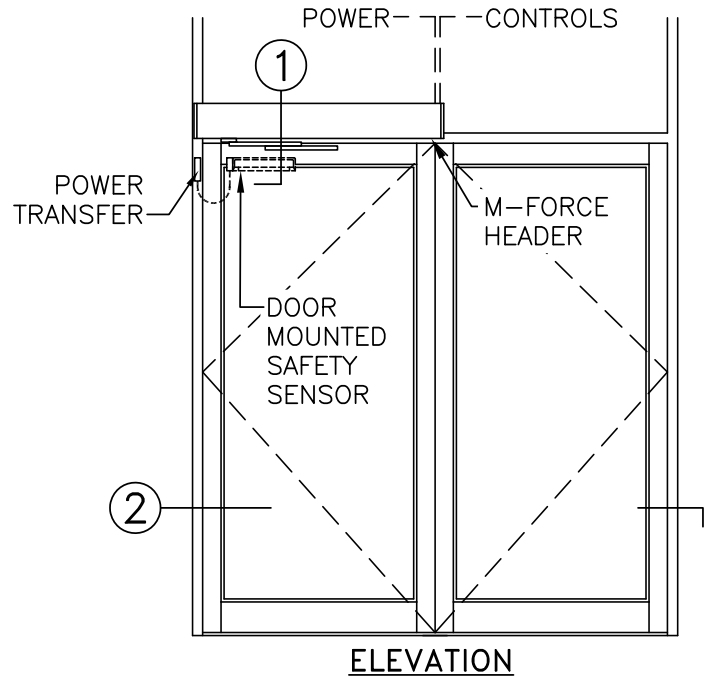
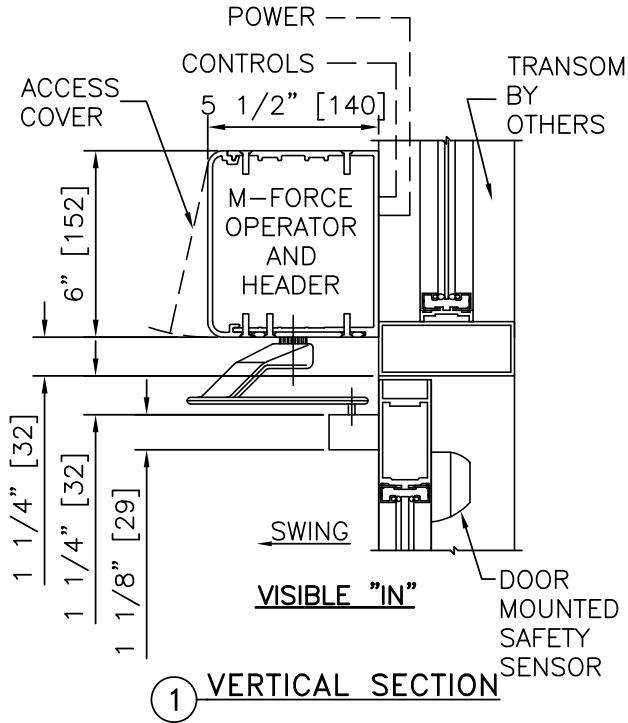
1. DETAILS NOT TO SCALE.
2. ELECTRICAL REQUIREMENTS: BY ELECTRICAL CONTRACTOR
 - 2.1. 120 VAC, 5 AMP MIN TO OPERATOR.
 - 2.2. CONTROL CIRCUIT FROM ACTIVATION TO OPERATOR.
3. DOORS, FRAMES, AND HARDWARE BY OTHERS.
4. DOORS MUST BE UN-LATCHED FOR PROPER OPERATION. PROVIDE TIME DELAY RELAY WHEN REQUIRED FOR PROPER OPERATION.
5. LIMITS OF SAFETY ZONES ARE PROVIDED FOR REFERENCE ONLY.
6. OPERATOR AND INSTALLATION TO COMPLY WITH ANSI/BHMA A156.19.
7. SEE SPECIFICATIONS FOR ADDITIONAL INFORMATION.



② HORIZONTAL SECTION

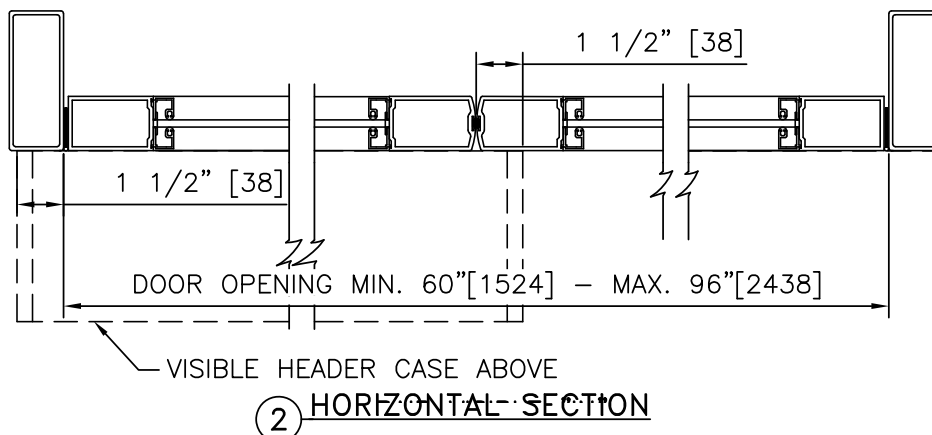
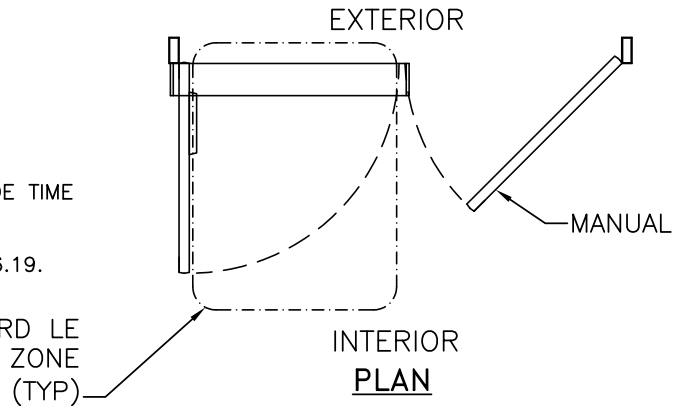
M-FORCE™
(NEXT GENERATION MAGIC-FORCE™)
WITH
SWING-GUARD® LE

LE OPERATOR, AL FRAME, VISIBLE, SINGLE ON PAIR, RIGHT HAND IN	
PROJECT INFORMATION	
PROJECT NAME:	
LOCATION:	
DOOR NUMBER(S):	
DATE:	SHEET: OF



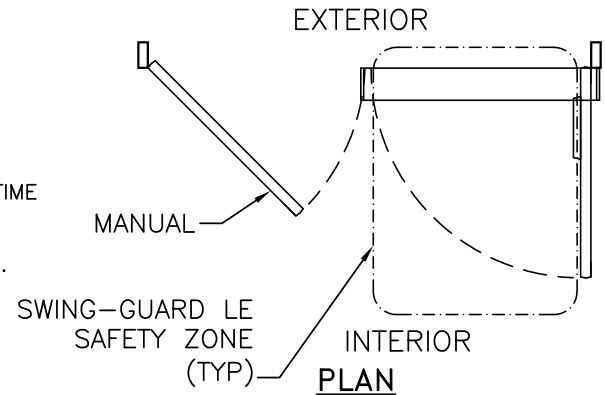
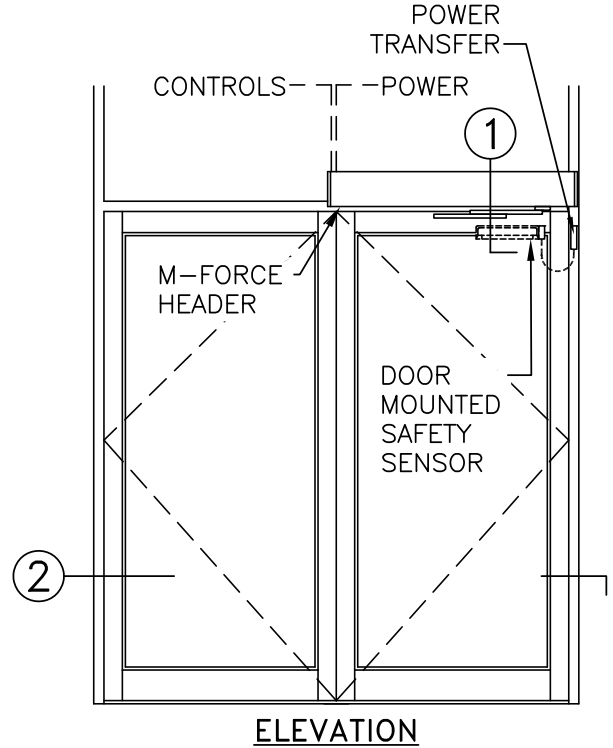
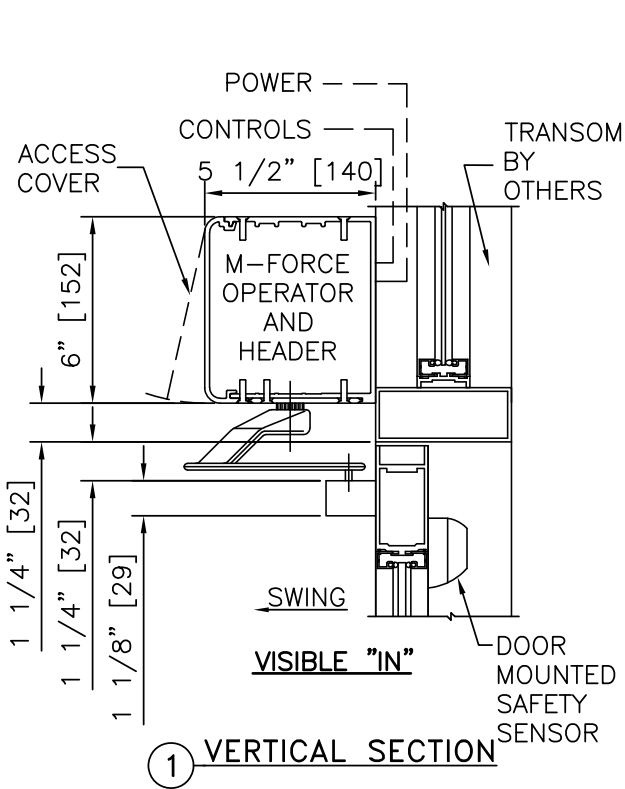
NOTES:

1. DETAILS NOT TO SCALE.
2. ELECTRICAL REQUIREMENTS: BY ELECTRICAL CONTRACTOR
 - 2.1. 120 VAC, 5 AMP MIN TO OPERATOR.
 - 2.2. CONTROL CIRCUIT FROM ACTIVATION TO OPERATOR.
3. DOORS, FRAMES, AND HARDWARE BY OTHERS.
4. DOORS MUST BE UN-LATCHED FOR PROPER OPERATION. PROVIDE TIME DELAY RELAY WHEN REQUIRED FOR PROPER OPERATION.
5. LIMITS OF SAFETY ZONES ARE PROVIDED FOR REFERENCE ONLY.
6. OPERATOR AND INSTALLATION TO COMPLY WITH ANSI/BHMA A156.19.
7. SEE SPECIFICATIONS FOR ADDITIONAL INFORMATION.



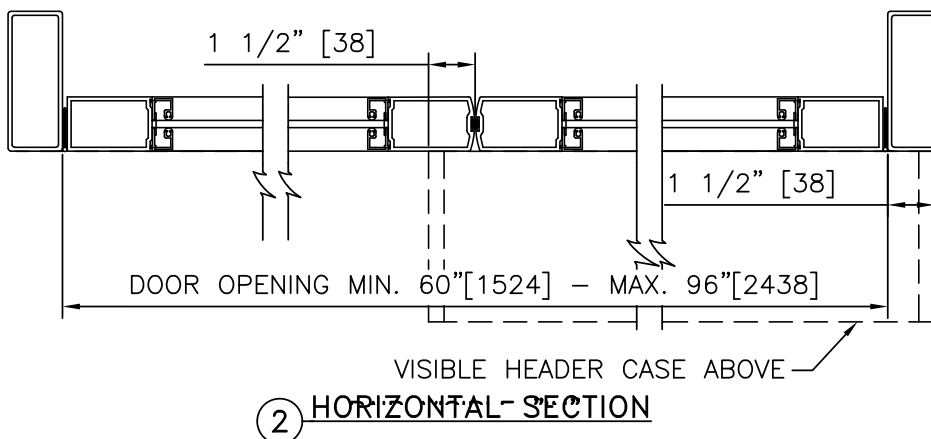
M-FORCE™
(NEXT GENERATION MAGIC-FORCE™)
WITH
SWING-GUARD® LE

LE OPERATOR, AL FRAME, VISIBLE, SINGLE ON PAIR, LEFT HAND IN	
PROJECT INFORMATION	
PROJECT NAME:	
LOCATION:	
DOOR NUMBER(S):	
DATE:	SHEET: OF



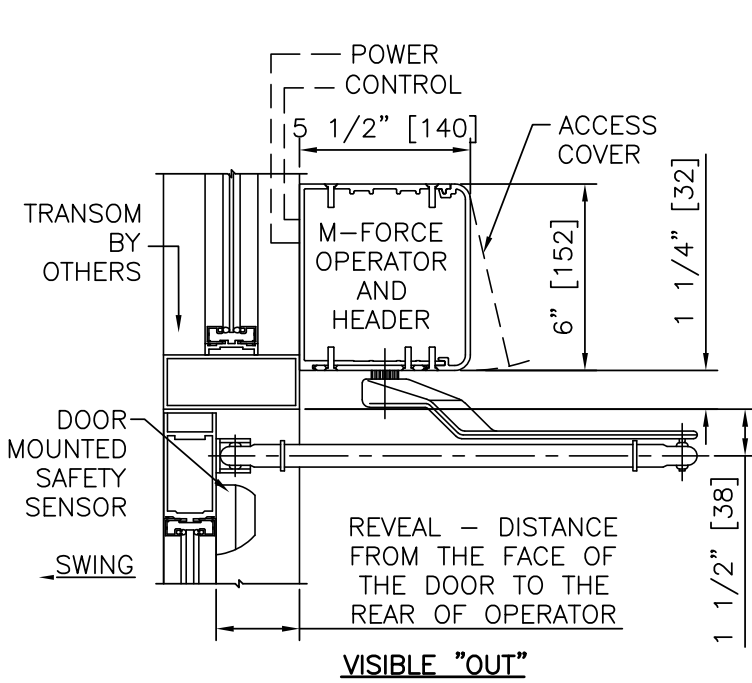
NOTES:

1. DETAILS NOT TO SCALE.
2. ELECTRICAL REQUIREMENTS: BY ELECTRICAL CONTRACTOR
 - 2.1. 120 VAC, 5 AMP MIN TO OPERATOR.
 - 2.2. CONTROL CIRCUIT FROM ACTIVATION TO OPERATOR.
3. DOORS, FRAMES, AND HARDWARE BY OTHERS.
4. DOORS MUST BE UN-LATCHED FOR PROPER OPERATION. PROVIDE TIME DELAY RELAY WHEN REQUIRED FOR PROPER OPERATION.
5. LIMITS OF SAFETY ZONES ARE PROVIDED FOR REFERENCE ONLY.
6. OPERATOR AND INSTALLATION TO COMPLY WITH ANSI/BHMA A156.19.
7. SEE SPECIFICATIONS FOR ADDITIONAL INFORMATION.

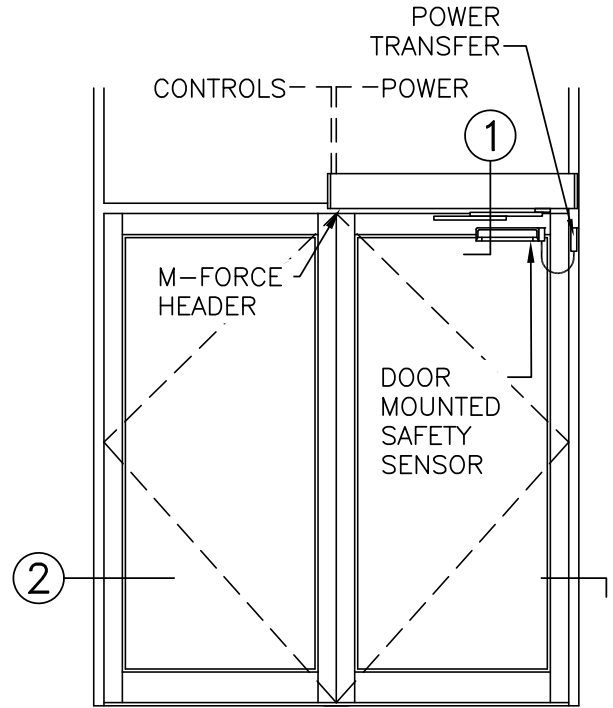


M-FORCE™
(NEXT GENERATION MAGIC-FORCE™)
WITH
SWING-GUARD® LE

LE OPERATOR, AL FRAME, VISIBLE, SINGLE ON PAIR, RIGHT HAND OUT	
PROJECT INFORMATION	
PROJECT NAME:	
LOCATION:	
DOOR NUMBER(S):	
DATE:	SHEET: OF



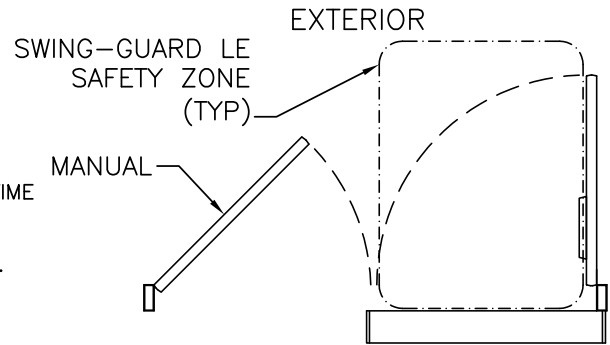
① VERTICAL SECTION



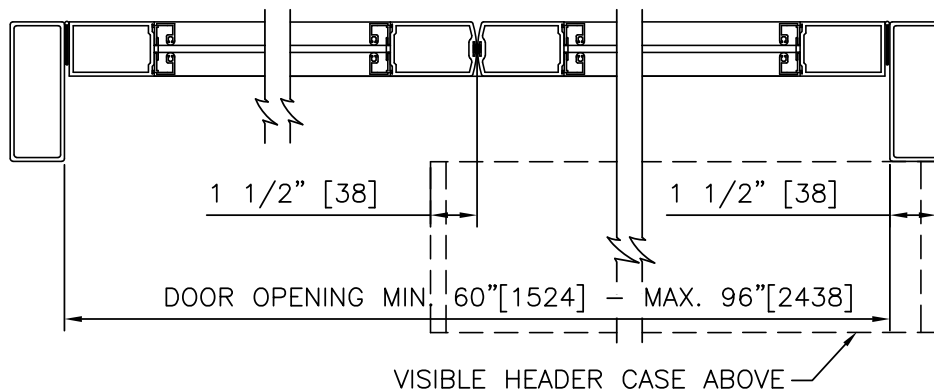
ELEVATION

NOTES:

1. DETAILS NOT TO SCALE.
2. ELECTRICAL REQUIREMENTS: BY ELECTRICAL CONTRACTOR
 - 2.1. 120 VAC, 5 AMP MIN TO OPERATOR.
 - 2.2. CONTROL CIRCUIT FROM ACTIVATION TO OPERATOR.
3. DOORS, FRAMES, AND HARDWARE BY OTHERS.
4. DOORS MUST BE UN-LATCHED FOR PROPER OPERATION. PROVIDE TIME DELAY RELAY WHEN REQUIRED FOR PROPER OPERATION.
5. LIMITS OF SAFETY ZONES ARE PROVIDED FOR REFERENCE ONLY.
6. OPERATOR AND INSTALLATION TO COMPLY WITH ANSI/BHMA A156.19.
7. SEE SPECIFICATIONS FOR ADDITIONAL INFORMATION.



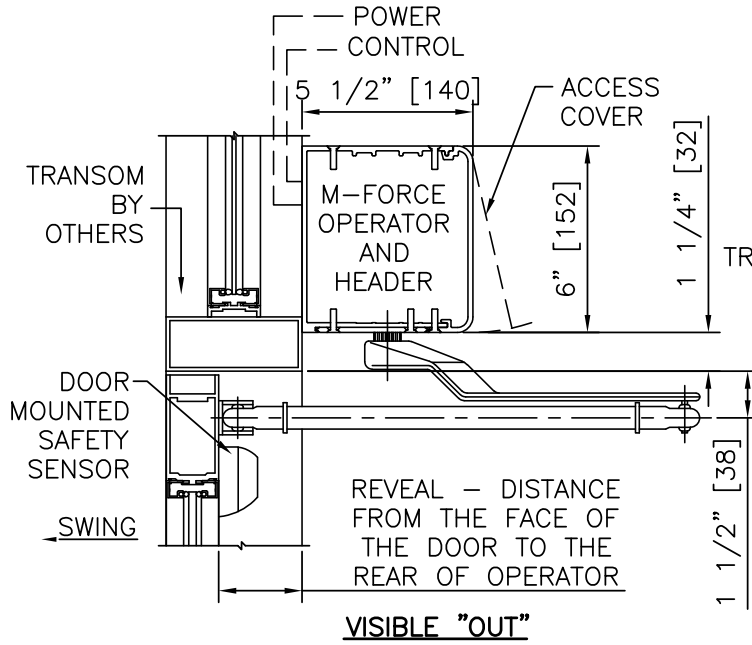
INTERIOR PLAN



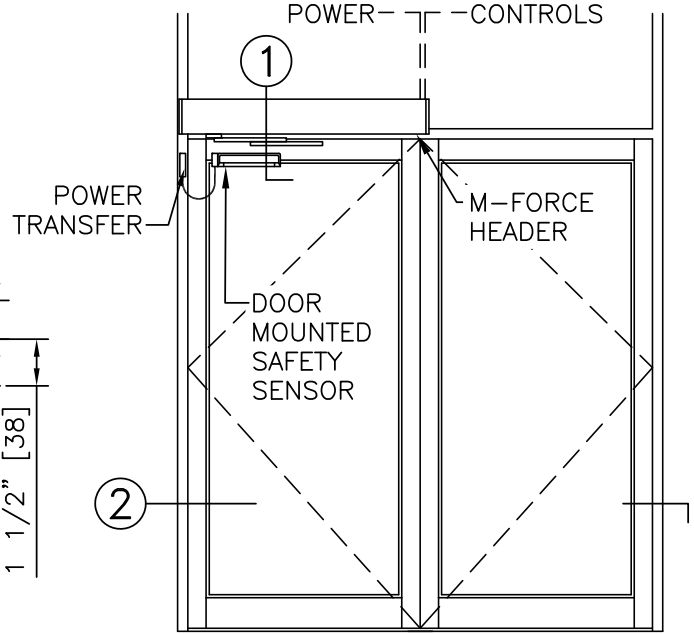
② HORIZONTAL SECTION

M-FORCE™
(NEXT GENERATION MAGIC-FORCE™)
WITH
SWING-GUARD® LE

LE OPERATOR, AL FRAME, VISIBLE, SINGLE ON PAIR, LEFT HAND OUT	
PROJECT INFORMATION	
PROJECT NAME:	
LOCATION:	
DOOR NUMBER(S):	
DATE:	SHEET: OF



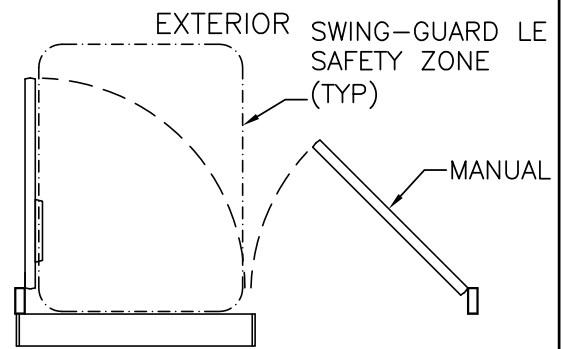
① **VERTICAL SECTION**



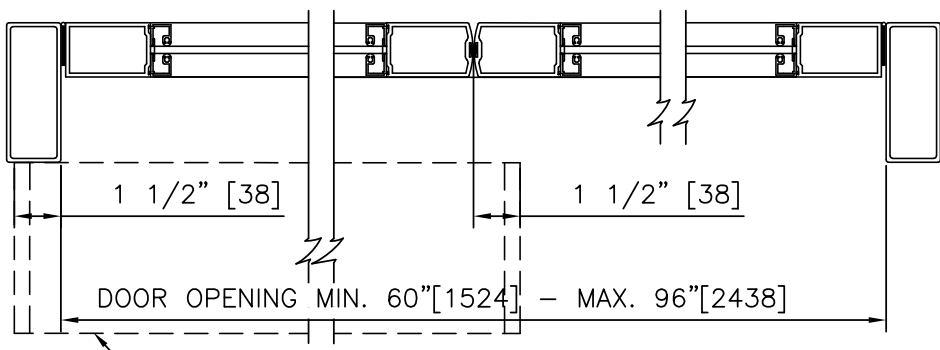
ELEVATION

NOTES:

1. DETAILS NOT TO SCALE.
2. ELECTRICAL REQUIREMENTS: BY ELECTRICAL CONTRACTOR
 - 2.1. 120 VAC, 5 AMP MIN TO OPERATOR.
 - 2.2. CONTROL CIRCUIT FROM ACTIVATION TO OPERATOR.
3. DOORS, FRAMES, AND HARDWARE BY OTHERS.
4. DOORS MUST BE UN-LATCHED FOR PROPER OPERATION. PROVIDE TIME DELAY RELAY WHEN REQUIRED FOR PROPER OPERATION.
5. LIMITS OF SAFETY ZONES ARE PROVIDED FOR REFERENCE ONLY.
6. OPERATOR AND INSTALLATION TO COMPLY WITH ANSI/BHMA A156.19.
7. SEE SPECIFICATIONS FOR ADDITIONAL INFORMATION.



INTERIOR PLAN



② **HORIZONTAL SECTION**