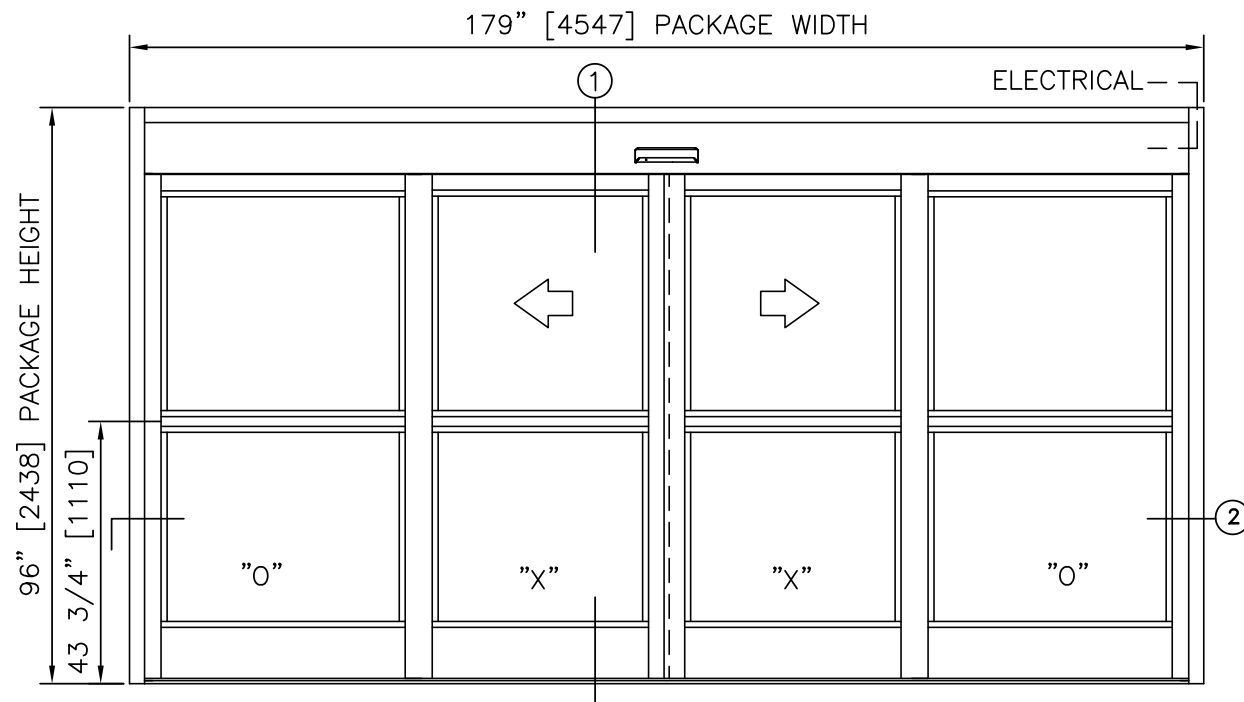


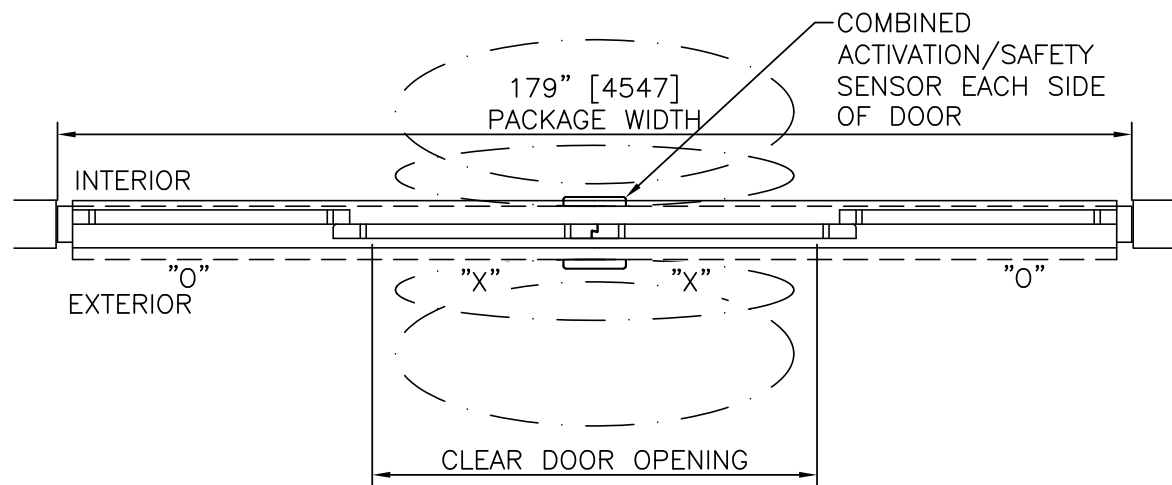
**STANLEY**  
Access Technologies

**DURA-SHIELD  
SECURITY  
SERIES**

<b>BI-PARTING BLAST</b>	
PROJECT INFORMATION	
PROJECT NAME:	
LOCATION:	
DOOR NUMBER(S):	
DATE:	SHEET: OF



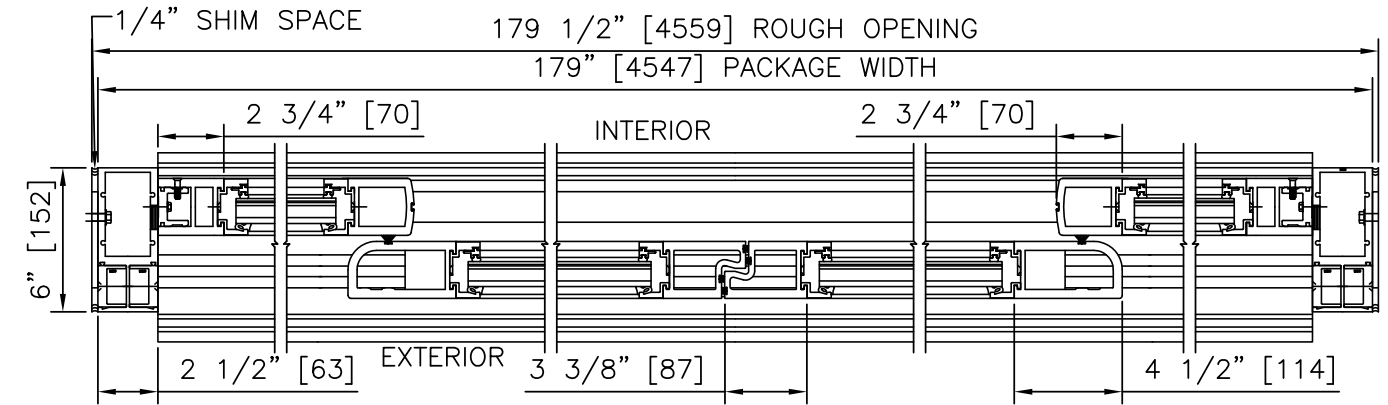
**ELEVATION VIEW**  
SCALE: 3/8" = 1'-0"



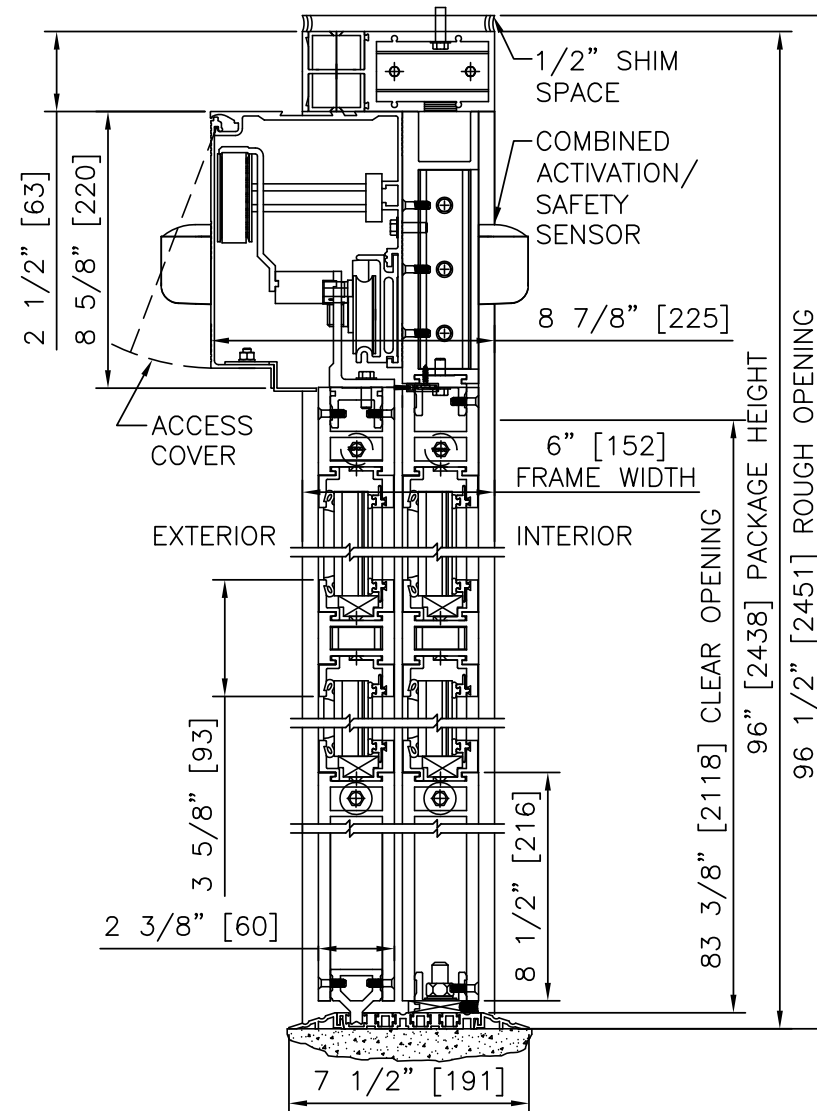
**PLAN VIEW**  
SCALE: 3/8" = 1'-0"

**NOTES**

- ELECTRICAL REQUIREMENTS: 120 VAC, 10 AMP MIN TO POWER OPERATOR BY ELECTRICAL CONTRACTOR.
- ROUGH OPENING SHALL PROVIDE 1/4"[6] SHIM SPACE ON SIDES; 1/2"[13] ON TOP OF PACKAGE.
- LIMITS OF ACTIVATION AND SAFETY ZONES ARE FOR REFERENCE ONLY; SEE ANSI/BHMA A156.10 FOR DETAILED REQUIREMENTS.
- BLAST ENTRANCES DESIGNED IN COMPLIANCE WITH UFC 4-010-01. BLAST ENTRANCES EXCLUDE BREAKOUT; X-PANEL DESIGN.
- SEE SPECIFICATIONS FOR ADDITIONAL INFORMATION.



**HORIZONTAL SECTION**  
SCALE: 1 1/2" = 1'-0"



**VERTICAL SECTION**

**PRODUCT OPTIONS**

- FINISH**
- ANODIZED CLEAR CL2
  - ANODIZED DK BRONZE
  - CUSTOM
- BOTTOM RAILS**
- 8 1/2" (STD)
  - 2 3/4"
- LOCKING**
- SOLENOID LOCK
- THRESHOLDS**
- SQ/BVL (EXT)
  - SQ/BVL (INT)
  - DBL BVL
  - RECESSED
- ACTIVATION/SAFETY**
- 2 COMBINED ACTIVATION/SAFETY SENSORS
- OTHER OPTIONS**
- UNINTERRUPTIBLE POWER SUPPLY
  - FLY OPEN BOX

MAXIMUM PACKAGE DIMENSIONS				
PACKAGE WIDTH	NOMINAL CLEAR DOOR OPENING	SLIDE PANEL NOMINAL WIDTH	FIXED PANEL NOMINAL WIDTH	EMERGENCY BREAKOUT NOM. WIDTH
168" [4267]	68 5/8" [1743]	42 7/16" [1078]	41 3/4" [1060]	79 1/2" [2019]
179"* [4267]	74 1/8" [1883]	45 3/16" [1148]	44 1/2" [1130]	85" [2159]

\* MAXIMUM PACKAGE WIDTH

**BI-PARTING BLAST**

**DURA-SHIELD  
SECURITY  
SERIES**

**STANLEY**  
Access Technologies