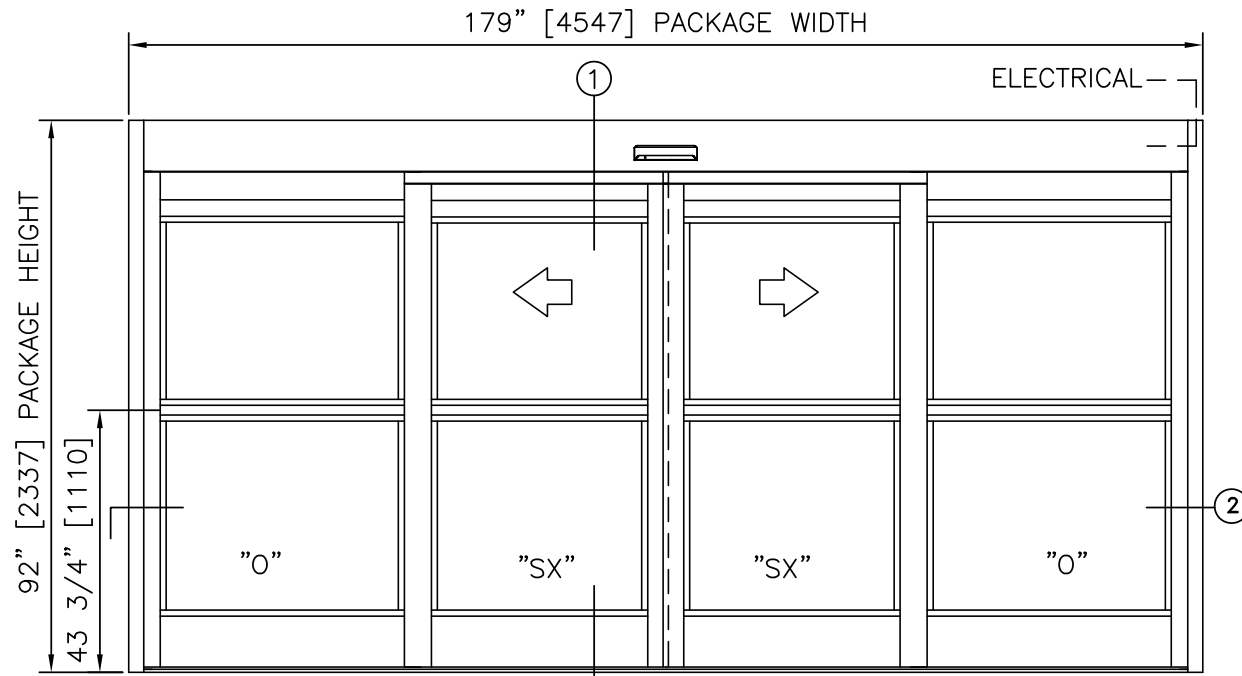


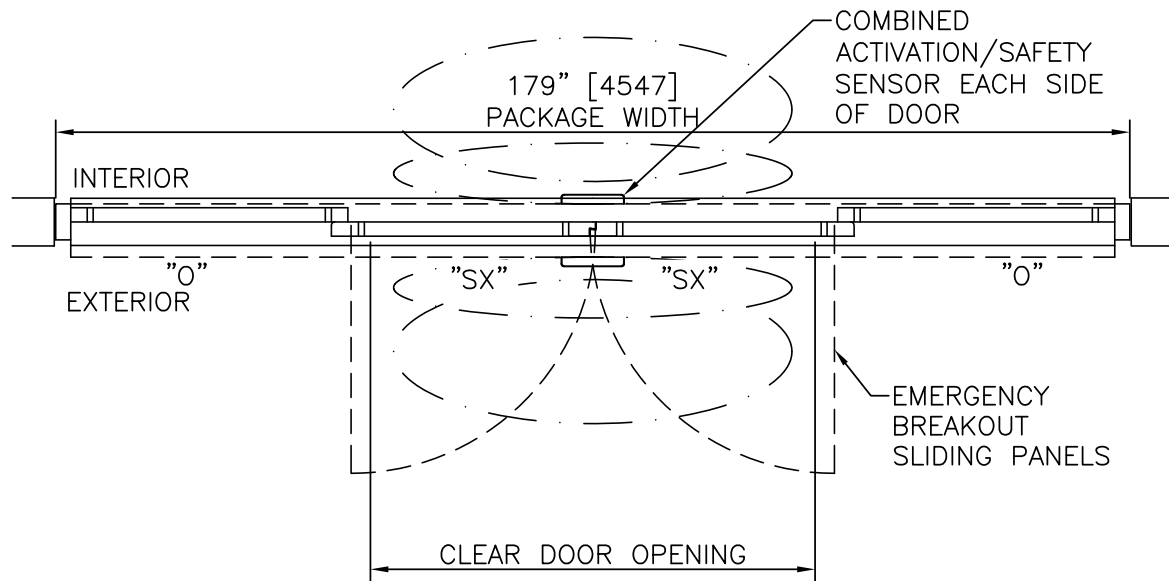
STANLEY
Access Technologies

**DURA-SHIELD
SECURITY
SERIES**

BI-PARTING BALLISTIC	
PROJECT INFORMATION	
PROJECT NAME:	
LOCATION:	
DOOR NUMBER(S):	
DATE:	SHEET: OF



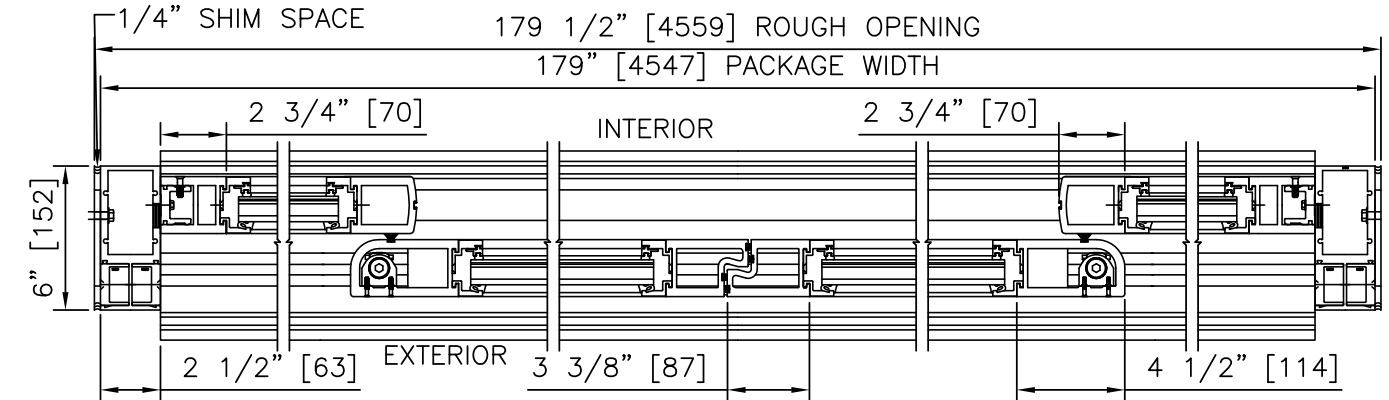
ELEVATION VIEW
SCALE: 3/8" = 1'-0"



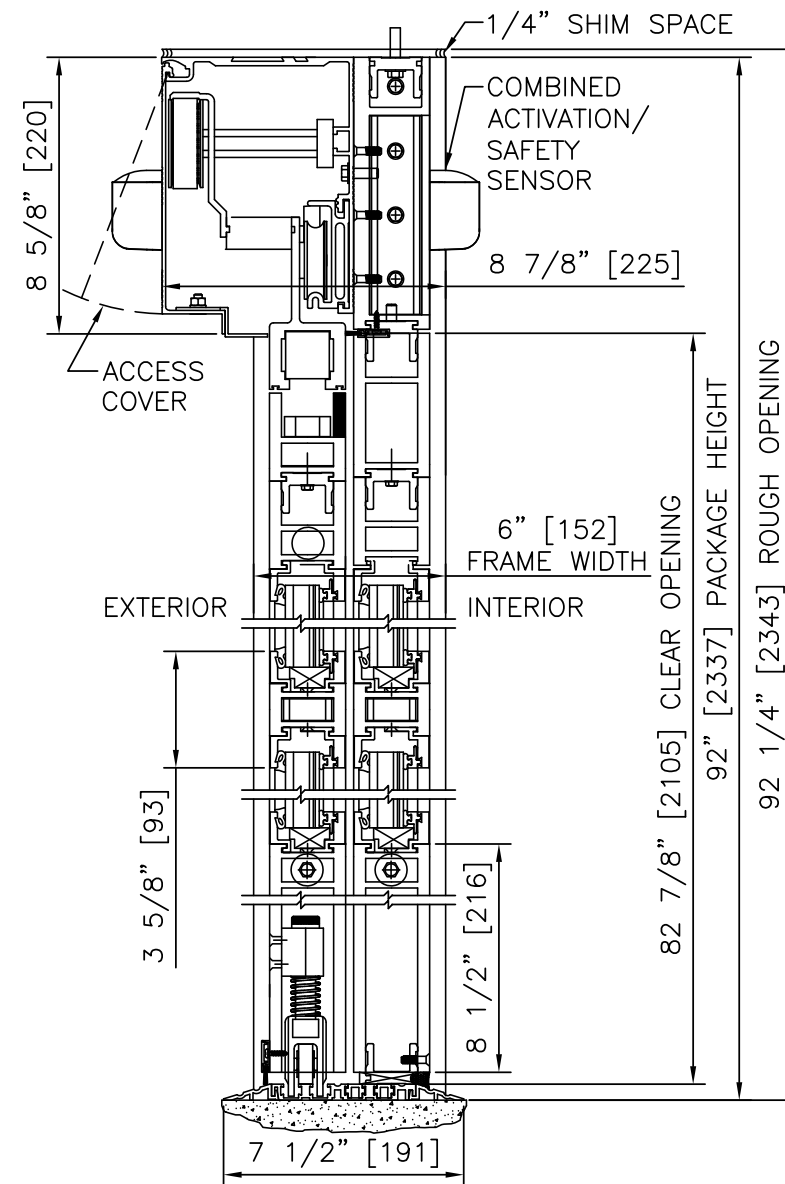
PLAN VIEW
SCALE: 3/8" = 1'-0"

NOTES

- ELECTRICAL REQUIREMENTS: 120 VAC, 10 AMP MIN TO POWER OPERATOR BY ELECTRICAL CONTRACTOR.
- ROUGH OPENING SHALL PROVIDE 1/4"[6] SHIM SPACE ON SIDES AND TOP OF PACKAGE.
- LIMITS OF ACTIVATION AND SAFETY ZONES ARE FOR REFERENCE ONLY; SEE ANSI/BHMA A156.10 FOR DETAILED REQUIREMENTS.
- BALLISTIC ENTRANCES ARE UL 752 LISTED, LEVEL III. BALLISTIC ENTRANCES INCLUDE BREAKOUT; SX-PANEL DESIGN.
- SEE SPECIFICATIONS FOR ADDITIONAL INFORMATION.



2 HORIZONTAL SECTION
SCALE: 1 1/2" = 1'-0"



1 VERTICAL SECTION
SCALE: 2" = 1'-0"

PRODUCT OPTIONS

- FINISH**
- ANODIZED CLEAR CL2
 - ANODIZED DK BRONZE
 - CUSTOM
- BOTTOM RAILS**
- 8 1/2" (STD)
 - 2 3/4"
- LOCKING**
- SOLENOID LOCK
- THRESHOLDS**
- SQ/BVL (EXT)
 - SQ/BVL (INT)
 - DBL BVL
 - RECESSED
- ACTIVATION/SAFETY**
- 2 COMBINED ACTIVATION/SAFETY SENSORS
- OTHER OPTIONS**
- UNINTERRUPTIBLE POWER SUPPLY

MAXIMUM PACKAGE DIMENSIONS				
PACKAGE WIDTH	NOMINAL CLEAR DOOR OPENING	SLIDE PANEL NOMINAL WIDTH	FIXED PANEL NOMINAL WIDTH	EMERGENCY BREAKOUT NOM. WIDTH
168" [4267]	68 5/8" [1743]	42 7/16" [1078]	41 3/4" [1060]	79 1/2" [2019]
179"* [4267]	74 1/8" [1883]	45 3/16" [1148]	44 1/2" [1130]	85" [2159]

* MAXIMUM PACKAGE WIDTH

BI-PARTING BALLISTIC	
DURA-SHIELD SECURITY SERIES	STANLEY Access Technologies