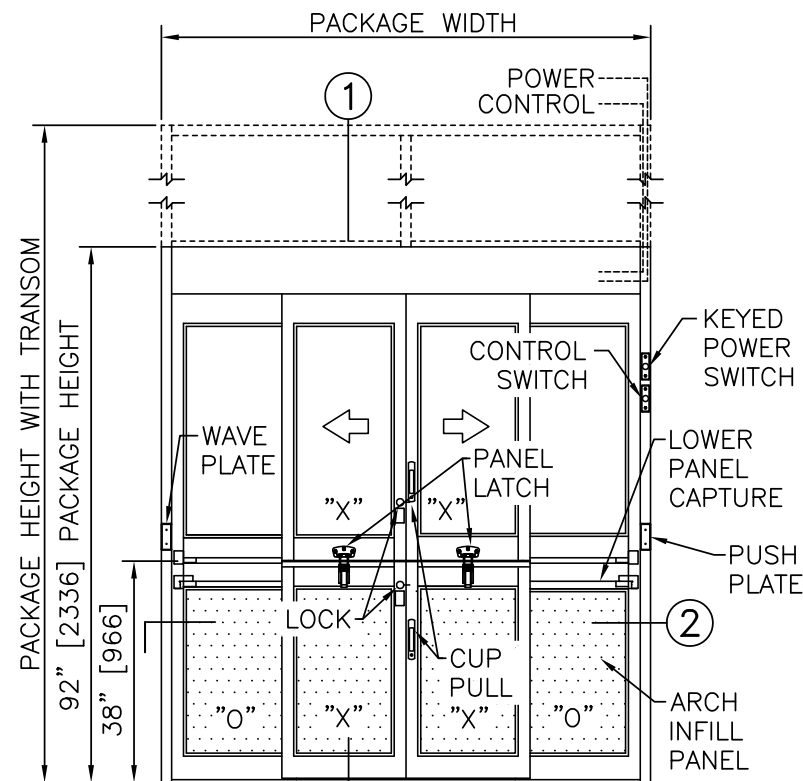
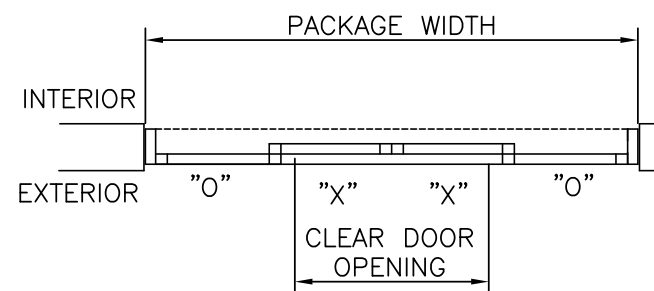


BI-PARTING DRIVE-THRU DOOR WITH OPTIONAL TRANSOM	
PROJECT INFORMATION	
PROJECT NAME:	
LOCATION:	
DOOR NUMBER(S):	
DATE:	SHEET: OF



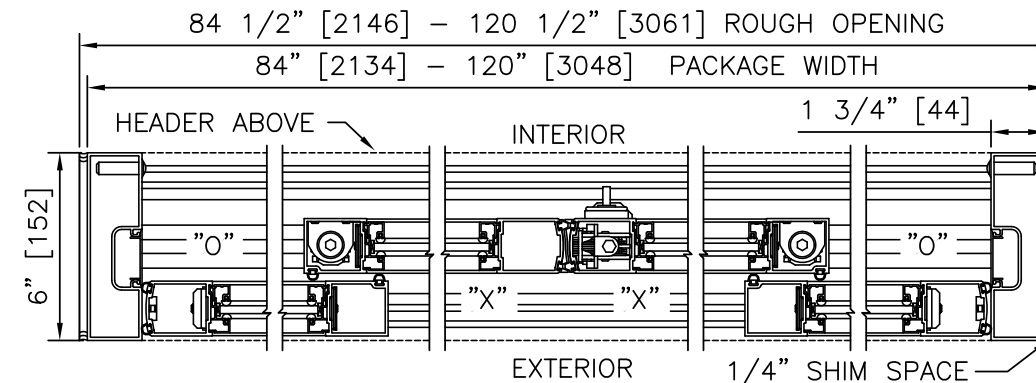
ELEVATION VIEW

SCALE: 3/8" = 1'-0"
(VIEW FROM INTERIOR)



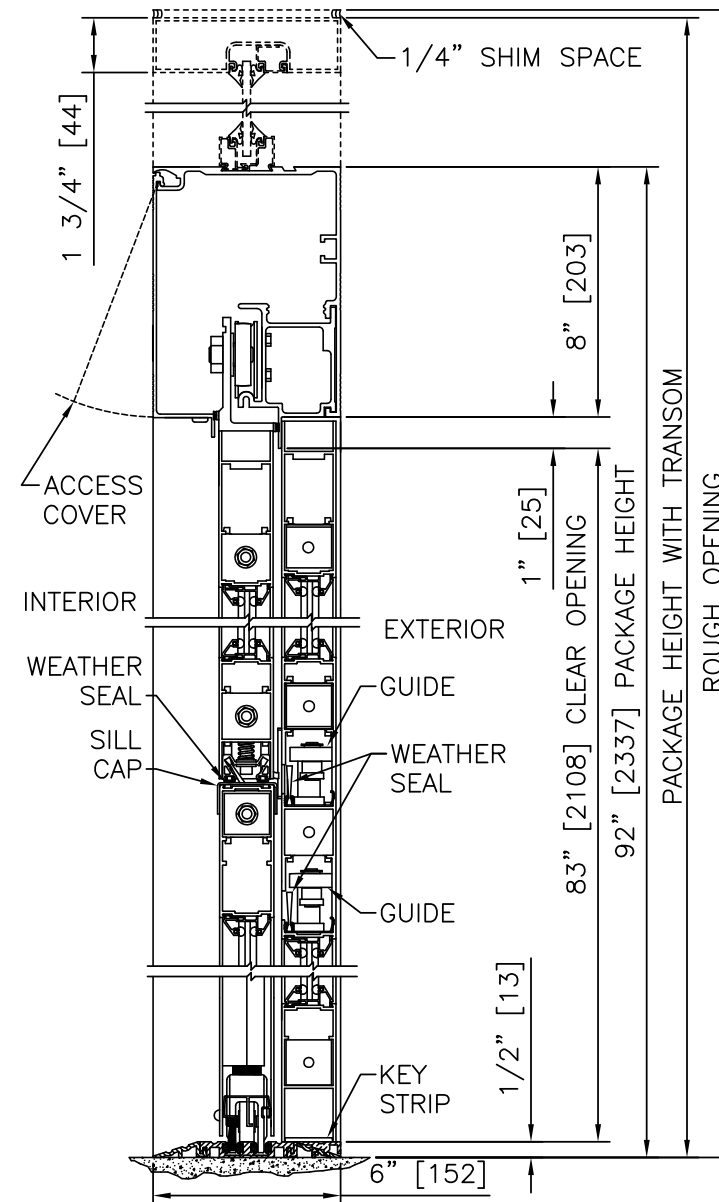
PLAN VIEW

SCALE: 3/8" = 1'-0"



HORIZONTAL SECTION

SCALE: 2" = 1'-0"



VERTICAL SECTION

SCALE: 2" = 1'-0"

PRODUCT OPTIONS

- TRANSOM
 - YES
 - VERTICALS 1 2 3
- FINISH
 - ANODIZED CLEAR CL2
 - ANODIZED DK BRONZE
 - CUSTOM
- LOCKING
 - 1-POINT [2 LOCKS]
 - ELECTRIC SOLENOID LOCK (FAIL-SAFE)
 - ELECTRIC SOLENOID LOCK (FAIL-SECURE)
- STILES
 - NARROW
- BOTTOM RAILS
 - STANDARD 4"
 - OPTIONAL 6" 8" 10" 12" 15" 18"
- THRESHOLDS
 - SQ/BVL (EXT) SQ/BVL (INT)
 - DBL BVL SQ/SQ
- SAFETY
 - 4 SAFETY BEAMS
- ACTIVATION
 - PUSH PLATES
 - WAVE PLATES, TOUCHLESS
 - SURFACE HOLDING BEAM
- OTHER OPTIONS
 - ROTARY CTRL SWITCH KEYED
 - UNINTERRUPTIBLE POWER SUPPLY [REMOTE]
 - FLY OPEN BOX [REMOTE]
 - ALARM CONTACTS

TYPICAL PACKAGE DIMENSIONS (NARROW STILE)

PACKAGE WIDTH	NOMINAL CLEAR DOOR OPENING*	DOOR PANEL NOMINAL WIDTH	EMERGENCY BREAKOUT NOM. WIDTH
84"	32.0"	21.3"	N/A
108"	42.3"	27.3"	N/A
120"	48.3"	30.3"	N/A

32" CLEAR DOOR OPENING IS REQUIRED UNDER IBC.

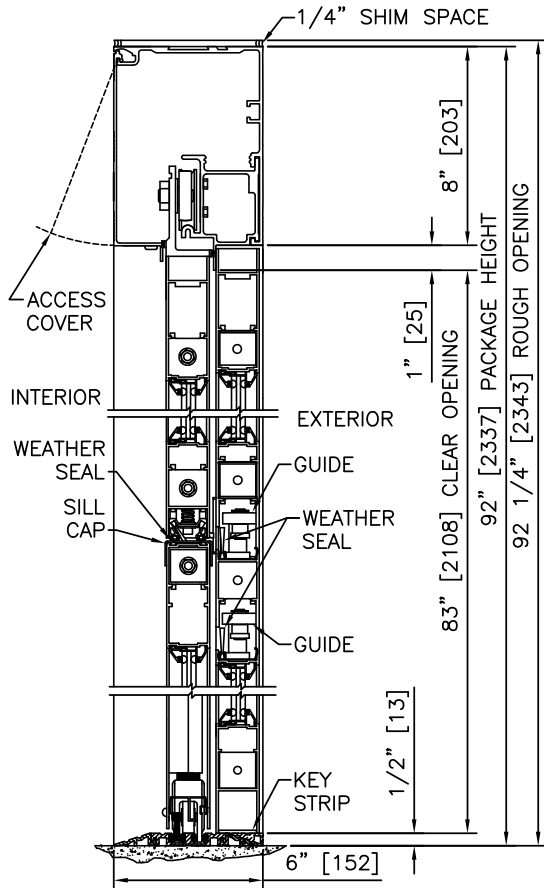
NOTES

- ELECTRICAL REQUIREMENTS: 120 VAC, 5 AMP MIN TO POWER OPERATOR BY ELECTRICAL CONTRACTOR.
- ROUGH OPENING SHALL PROVIDE 1/4"[6] SHIM SPACE ON SIDES AND TOP OF PACKAGE.
- OPERATION IN COMPLIANCE WITH ANSI/BHMA A156.10; SEE STANDARD FOR DETAILED REQUIREMENTS.
- STANDARD GLAZING STOPS FOR SLIDING AND FIXED PANELS ARE 1/4"[6]; 5/8"[16] AND 1"[25] AVAILABLE.
- STANDARD STILES, BOTTOM RAILS SHOWN; BOTTOM RAILS TO 18"[457] AVAILABLE.
- SLIDING PANELS AND SIDELIGHTS DO NOT BREAK AWAY.
- SEE SPECIFICATIONS FOR ADDITIONAL INFORMATION.

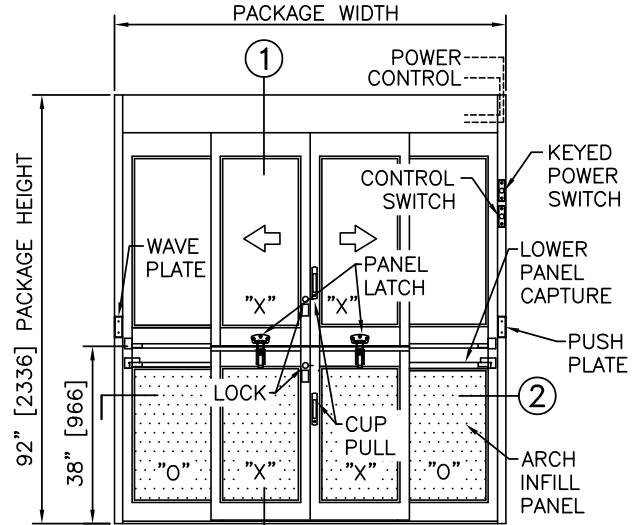
BI-PART FORMULAS - NARROW STILE (PACKAGE WIDTH < 87.5")
 PACKAGE WIDTH = 2 X CLEAR DOOR OPENING + 20.0"
 CLEAR DOOR OPENING = 1/2 PACKAGE WIDTH - 10.0"
 DOOR PANEL WIDTH = 1/4 PACKAGE WIDTH + 0.3"

BI-PART FORMULAS - NARROW STILE (PACKAGE WIDTH >= 87.5")
 PACKAGE WIDTH = 2 X CLEAR DOOR OPENING + 23.4"
 CLEAR DOOR OPENING = 1/2 PACKAGE WIDTH - 11.7"
 DOOR PANEL WIDTH = 1/4 PACKAGE WIDTH + 0.3"

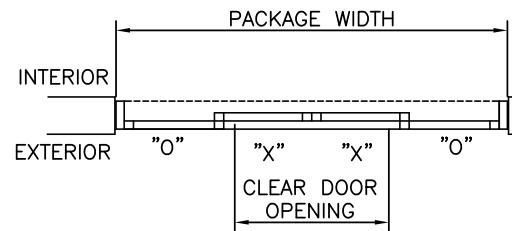
BI-PARTING DRIVE-THRU DOOR WITH OPTIONAL TRANSOM



① VERTICAL SECTION



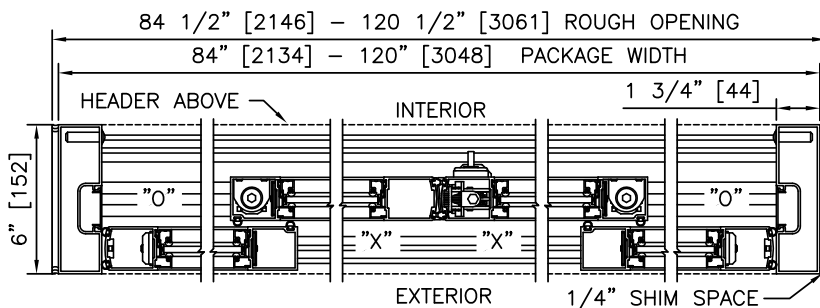
ELEVATION
VIEW FROM INTERIOR



PLAN

NOTES

1. ELECTRICAL REQUIREMENTS: 120 VAC, 5 AMP MIN TO POWER OPERATOR BY ELECTRICAL CONTRACTOR.
2. ROUGH OPENING SHALL PROVIDE 1/4"[6] SHIM SPACE ON SIDES AND TOP OF PACKAGE.
3. OPERATION IN COMPLIANCE WITH ANSI/BHMA A156.10; SEE STANDARD FOR DETAILED REQUIREMENTS.
4. SLIDING PANELS AND SIDELIGHTS DO NOT BREAK AWAY.
5. SEE SPECIFICATIONS FOR ADDITIONAL INFORMATION.

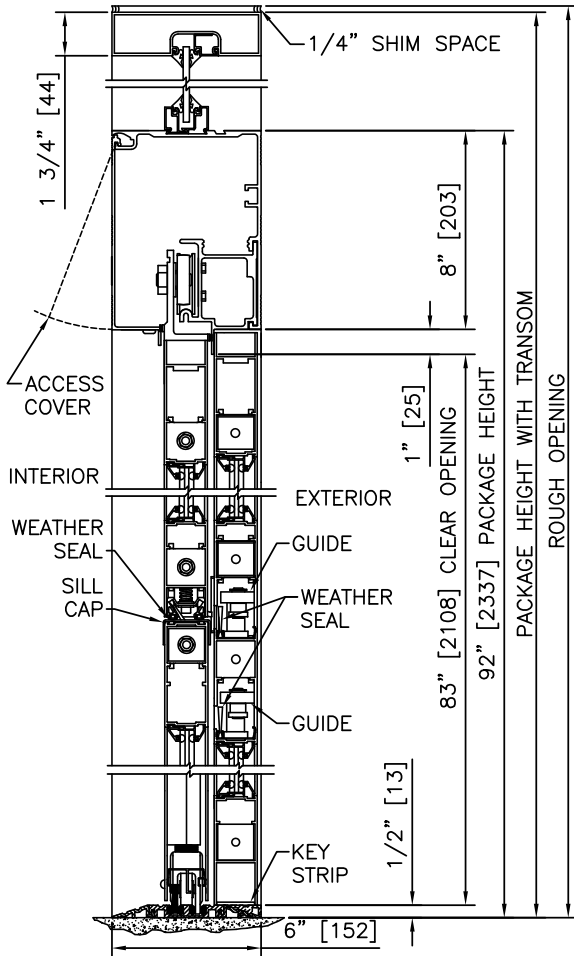


② HORIZONTAL SECTION

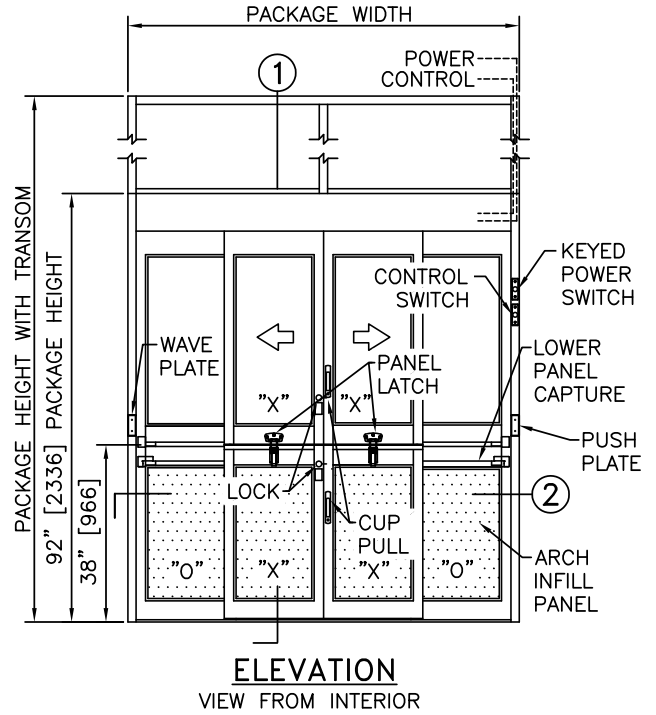
TYPICAL PACKAGE DIMENSIONS (NARROW STILE)

PACKAGE WIDTH	NOMINAL CLEAR DOOR OPENING*	DOOR PANEL NOMINAL WIDTH	EMERGENCY BREAKOUT NOM. WIDTH
84"	32.0"	21.3"	N/A
108"	42.3"	27.3"	N/A
120"	48.3"	30.3"	N/A

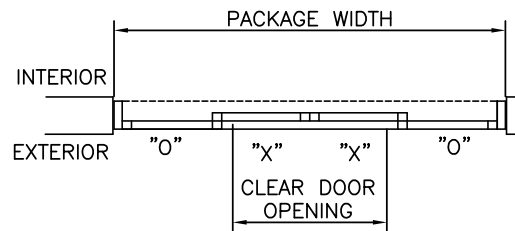
32" CLEAR DOOR OPENING IS REQUIRED UNDER IBC.



1 VERTICAL SECTION



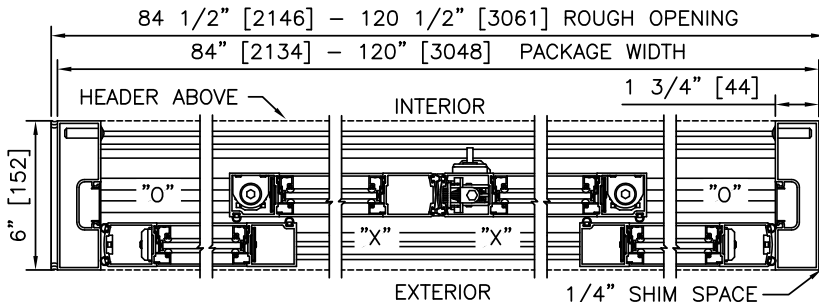
ELEVATION
VIEW FROM INTERIOR



PLAN

NOTES

1. ELECTRICAL REQUIREMENTS: 120 VAC, 5 AMP MIN TO POWER OPERATOR BY ELECTRICAL CONTRACTOR.
2. ROUGH OPENING SHALL PROVIDE 1/4\"[6] SHIM SPACE ON SIDES AND TOP OF PACKAGE.
3. OPERATION IN COMPLIANCE WITH ANSI/BHMA A156.10; SEE STANDARD FOR DETAILED REQUIREMENTS.
4. SLIDING PANELS AND SIDELIGHTS DO NOT BREAK AWAY.
5. SEE SPECIFICATIONS FOR ADDITIONAL INFORMATION.

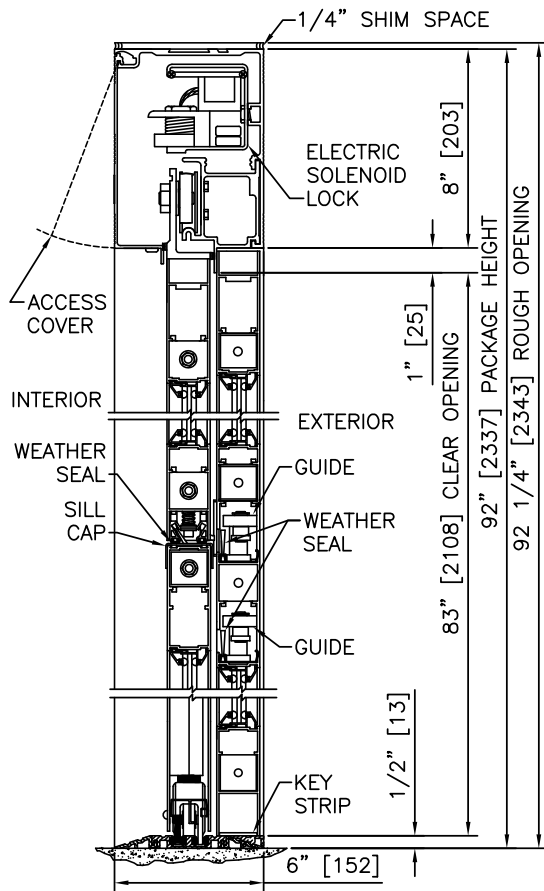


2 HORIZONTAL SECTION

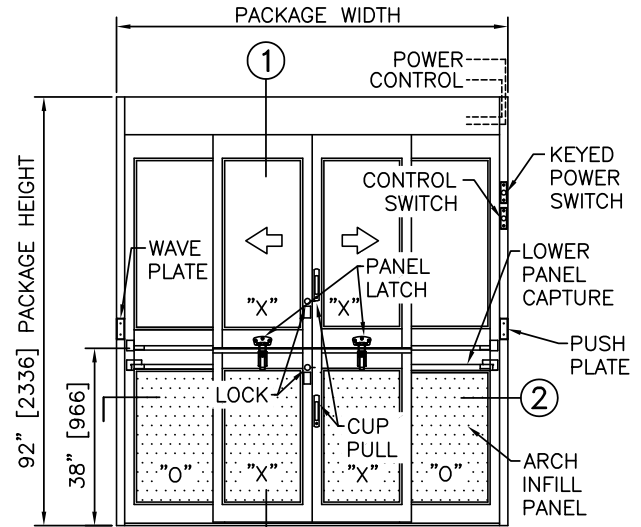
TYPICAL PACKAGE DIMENSIONS (NARROW STILE)

PACKAGE WIDTH	NOMINAL CLEAR DOOR OPENING*	DOOR PANEL NOMINAL WIDTH	EMERGENCY BREAKOUT NOM. WIDTH
84"	32.0"	21.3"	N/A
108"	42.3"	27.3"	N/A
120"	48.3"	30.3"	N/A

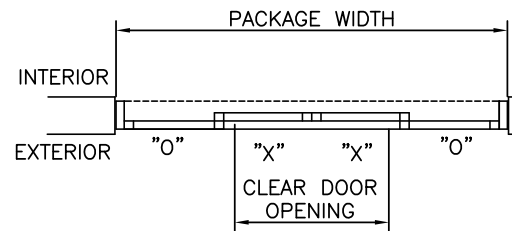
32" CLEAR DOOR OPENING IS REQUIRED UNDER IBC.



① VERTICAL SECTION



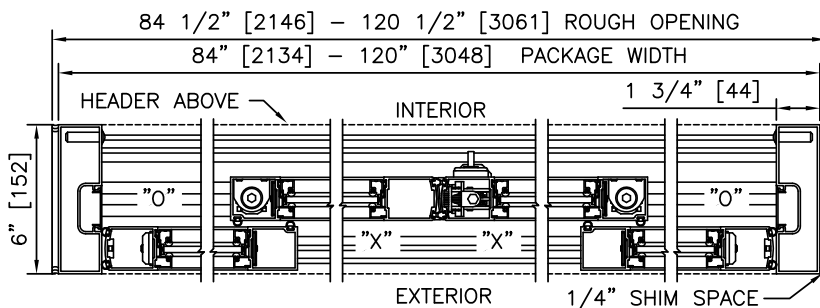
ELEVATION
VIEW FROM INTERIOR



PLAN

NOTES

1. ELECTRICAL REQUIREMENTS: BY ELECTRICAL CONTRACTOR
 - 1.1. 120 VAC, 5 AMP MIN TO POWER OPERATOR.
 - 1.2. CONTROL CIRCUIT FROM SECURE ACTIVATION TO OPERATOR.
2. ROUGH OPENING SHALL PROVIDE 1/4"[6] SHIM SPACE ON SIDES AND TOP OF PACKAGE.
3. OPERATION IN COMPLIANCE WITH ANSI/BHMA A156.10; SEE STANDARD FOR DETAILED REQUIREMENTS.
4. SLIDING PANELS AND SIDELIGHTS DO NOT BREAK AWAY.
5. SEE SPECIFICATIONS FOR ADDITIONAL INFORMATION.

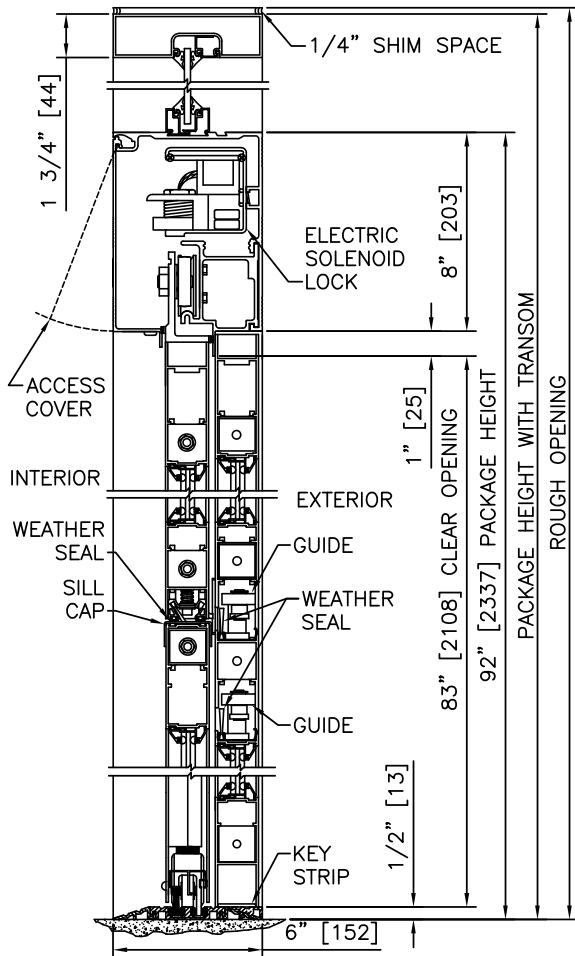


② HORIZONTAL SECTION

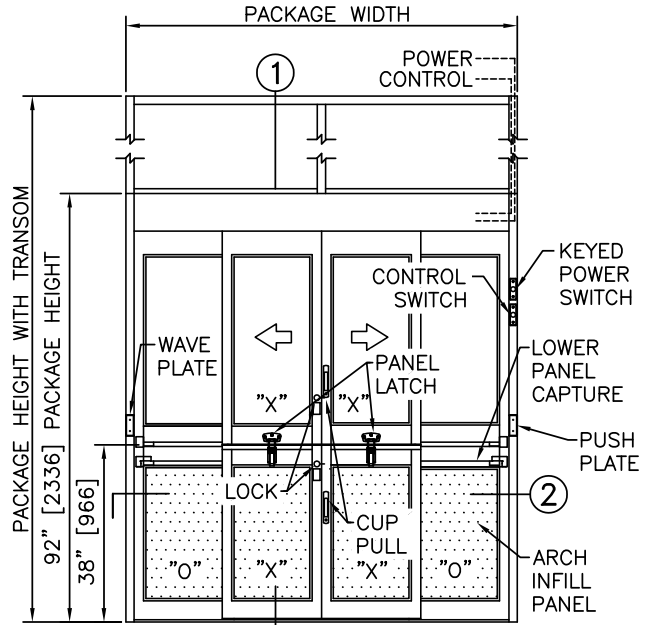
TYPICAL PACKAGE DIMENSIONS (NARROW STILE)

PACKAGE WIDTH	NOMINAL CLEAR DOOR OPENING*	DOOR PANEL NOMINAL WIDTH	EMERGENCY BREAKOUT NOM. WIDTH
84"	32.0"	21.3"	N/A
108"	42.3"	27.3"	N/A
120"	48.3"	30.3"	N/A

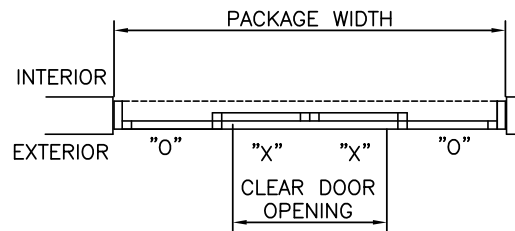
32" CLEAR DOOR OPENING IS REQUIRED UNDER IBC.



1 VERTICAL SECTION



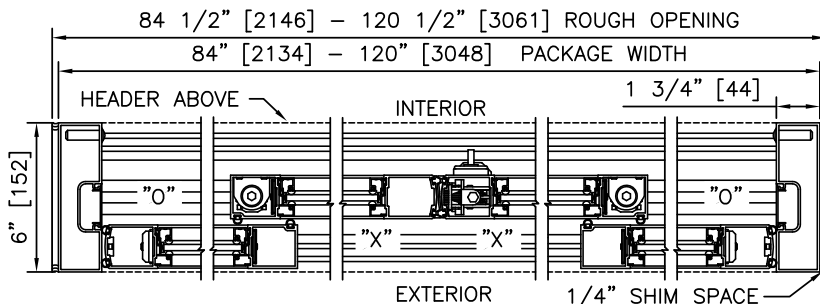
ELEVATION
VIEW FROM INTERIOR



PLAN

NOTES

1. ELECTRICAL REQUIREMENTS: BY ELECTRICAL CONTRACTOR
 - 1.1. 120 VAC, 5 AMP MIN TO POWER OPERATOR.
 - 1.2. CONTROL CIRCUIT FROM SECURE ACTIVATION TO OPERATOR.
2. ROUGH OPENING SHALL PROVIDE 1/4"[6] SHIM SPACE ON SIDES AND TOP OF PACKAGE.
3. OPERATION IN COMPLIANCE WITH ANSI/BHMA A156.10; SEE STANDARD FOR DETAILED REQUIREMENTS.
4. SLIDING PANELS AND SIDELIGHTS DO NOT BREAK AWAY.
5. SEE SPECIFICATIONS FOR ADDITIONAL INFORMATION.



2 HORIZONTAL SECTION

TYPICAL PACKAGE DIMENSIONS (NARROW STILE)

PACKAGE WIDTH	NOMINAL CLEAR DOOR OPENING*	DOOR PANEL NOMINAL WIDTH	EMERGENCY BREAKOUT NOM. WIDTH
84"	32.0"	21.3"	N/A
108"	42.3"	27.3"	N/A
120"	48.3"	30.3"	N/A

32" CLEAR DOOR OPENING IS REQUIRED UNDER IBC.