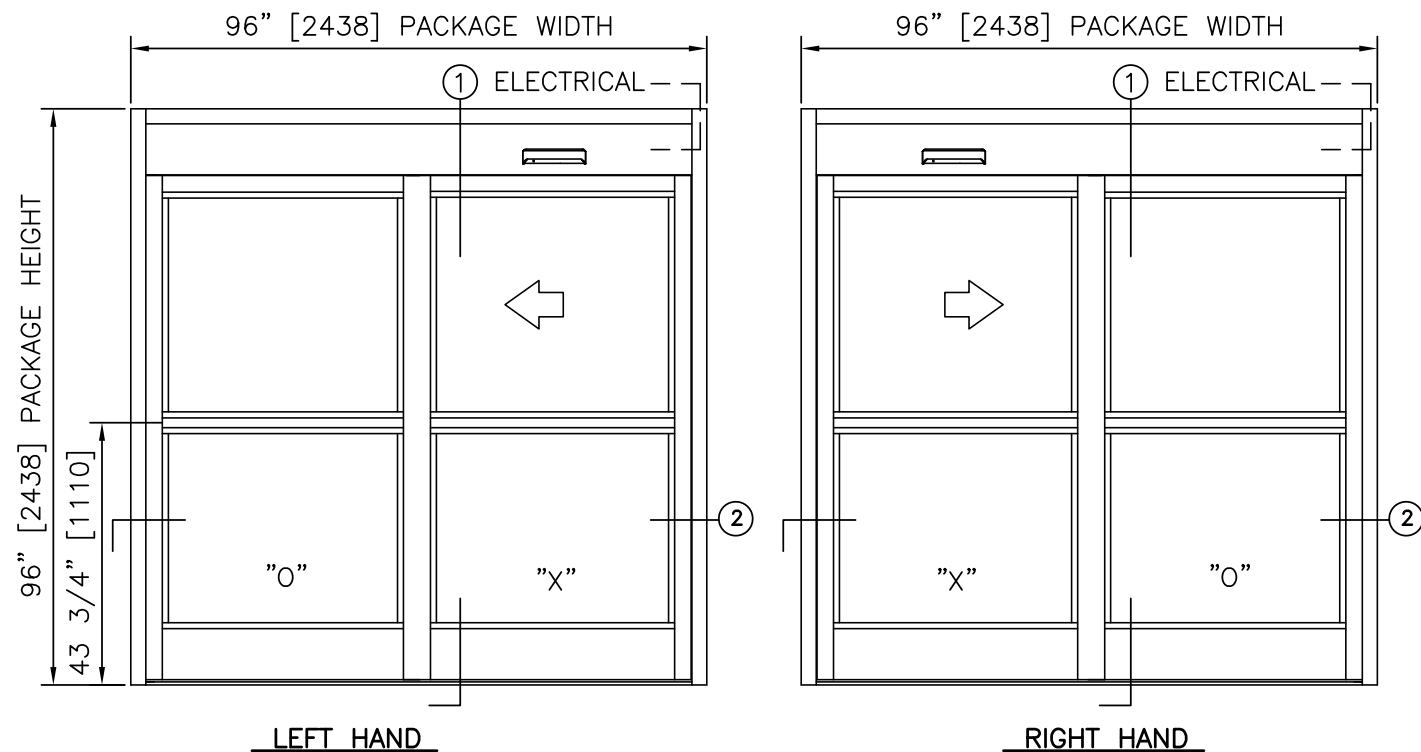


STANLEY
Access Technologies

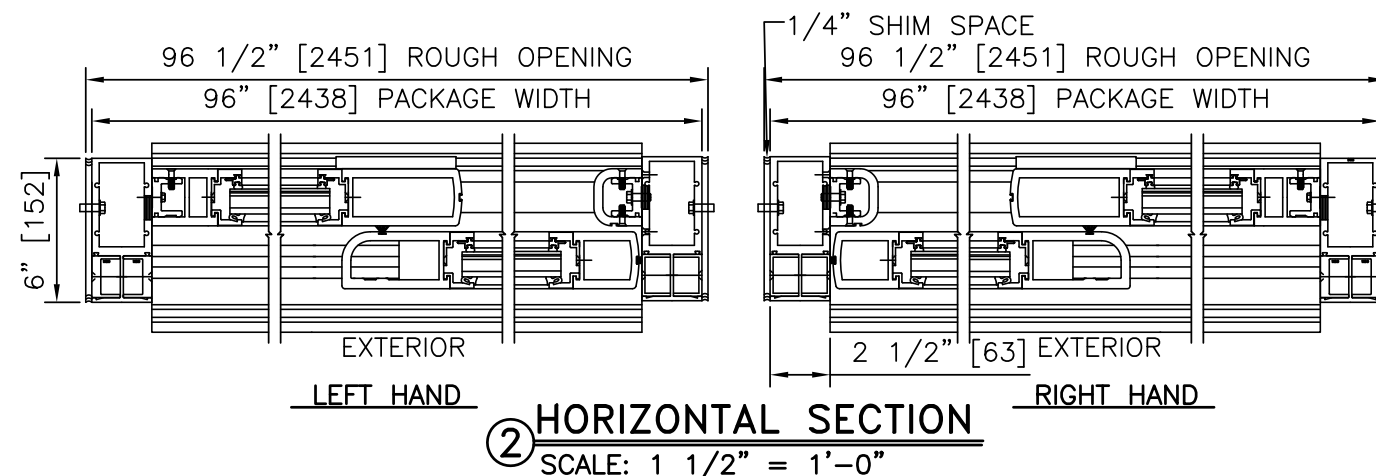
DURA-SHIELD SECURITY SERIES

SINGLE SLIDE BLAST PROJECT INFORMATION

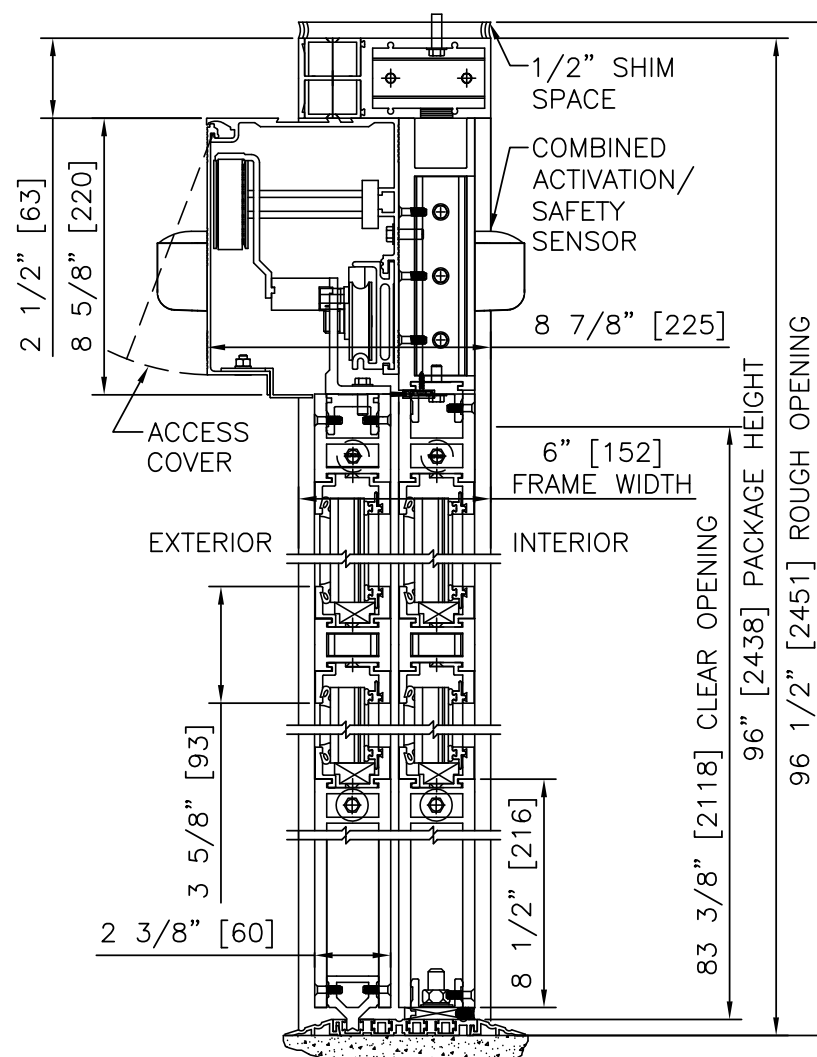
PROJECT NAME:	
LOCATION:	
DOOR NUMBER(S):	
DATE:	SHEET: OF



ELEVATION VIEW
SCALE: 3/8" = 1'-0"



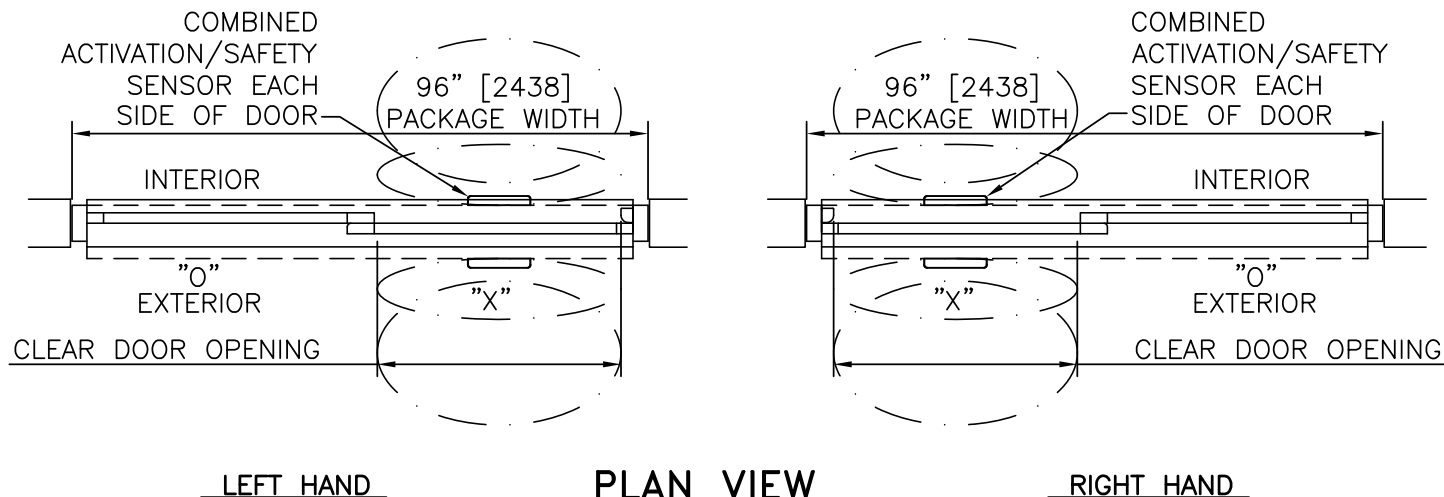
HORIZONTAL SECTION
SCALE: 1 1/2" = 1'-0"



VERTICAL SECTION
SCALE: 2" = 1'-0"

PRODUCT OPTIONS

- FINISH**
- ANODIZED CLEAR CL2
 - ANODIZED DK BRONZE
 - CUSTOM
- BOTTOM RAILS**
- 8 1/2" (STD)
 - 2 3/4"
- LOCKING**
- SOLENOID LOCK
- THRESHOLDS**
- SQ/BVL (EXT)
 - SQ/BVL (INT)
 - DBL BVL
 - RECESSED
- ACTIVATION/SAFETY**
- 2 COMBINED ACTIVATION/SAFETY SENSORS
- OTHER OPTIONS**
- UNINTERRUPTIBLE POWER SUPPLY
 - FLY OPEN BOX
 - JAMB CAMS



PLAN VIEW
SCALE: 3/8" = 1'-0"

MAXIMUM PACKAGE DIMENSIONS				
PACKAGE WIDTH	NOMINAL CLEAR DOOR OPENING	SLIDE PANEL NOMINAL WIDTH	FIXED PANEL NOMINAL WIDTH	EMERGENCY BREAKOUT NOM. WIDTH
96" [2438]	36 3/8" [924]	48" [1219]	48" [1219]	N/A
108"* [2743]	42 3/8" [1076]	54" [1372]	54" [1372]	N/A

* MAXIMUM PACKAGE WIDTH

NOTES

- ELECTRICAL REQUIREMENTS: 120 VAC, 10 AMP MIN TO POWER OPERATOR BY ELECTRICAL CONTRACTOR.
- ROUGH OPENING SHALL PROVIDE 1/4"[6] SHIM SPACE ON SIDES; 1/2"[13] ON TOP OF PACKAGE.
- LIMITS OF ACTIVATION AND SAFETY ZONES ARE FOR REFERENCE ONLY; SEE ANSI/BHMA A156.10 FOR DETAILED REQUIREMENTS.
- BLAST ENTRANCES DESIGNED IN COMPLIANCE WITH UFC 4-010-01. BLAST ENTRANCES EXCLUDE BREAKOUT; X-PANEL DESIGN.
- SEE SPECIFICATIONS FOR ADDITIONAL INFORMATION.

SINGLE SLIDE BLAST

DURA-SHIELD SECURITY SERIES