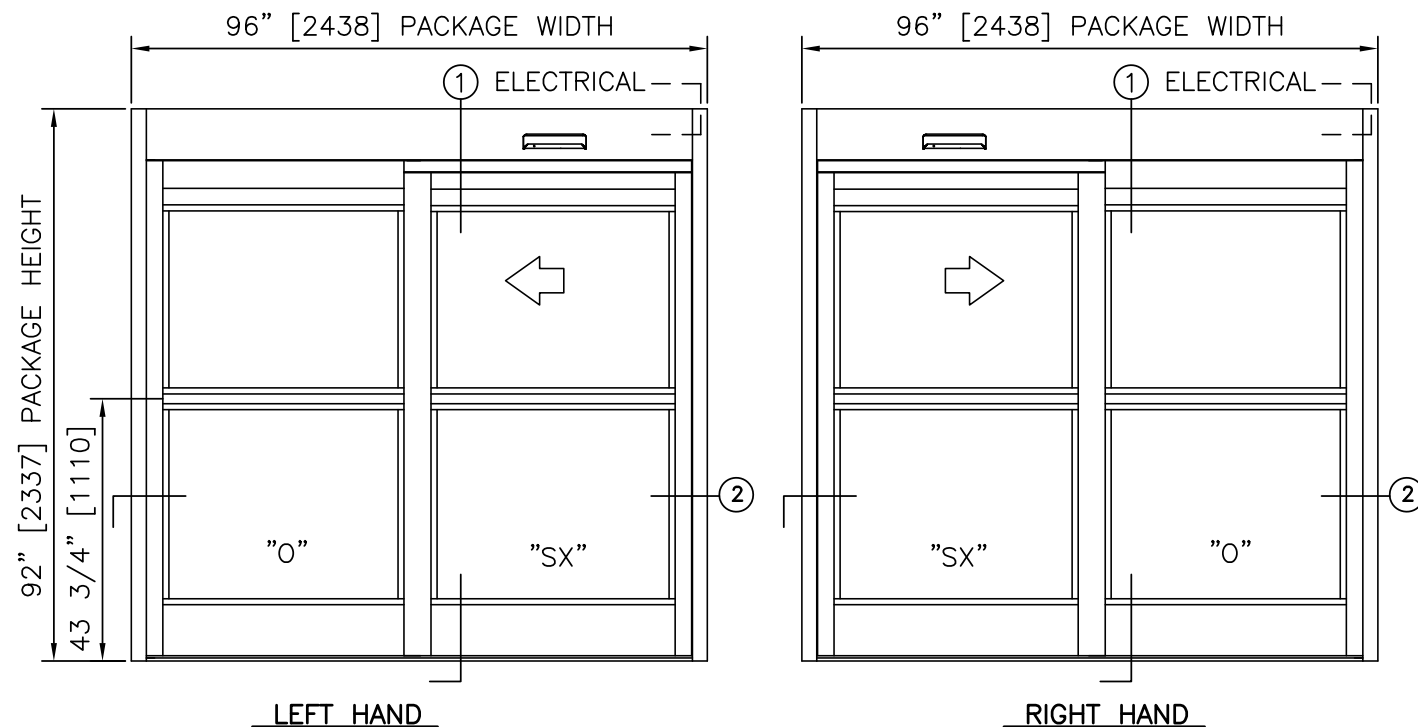


**STANLEY**  
Access Technologies

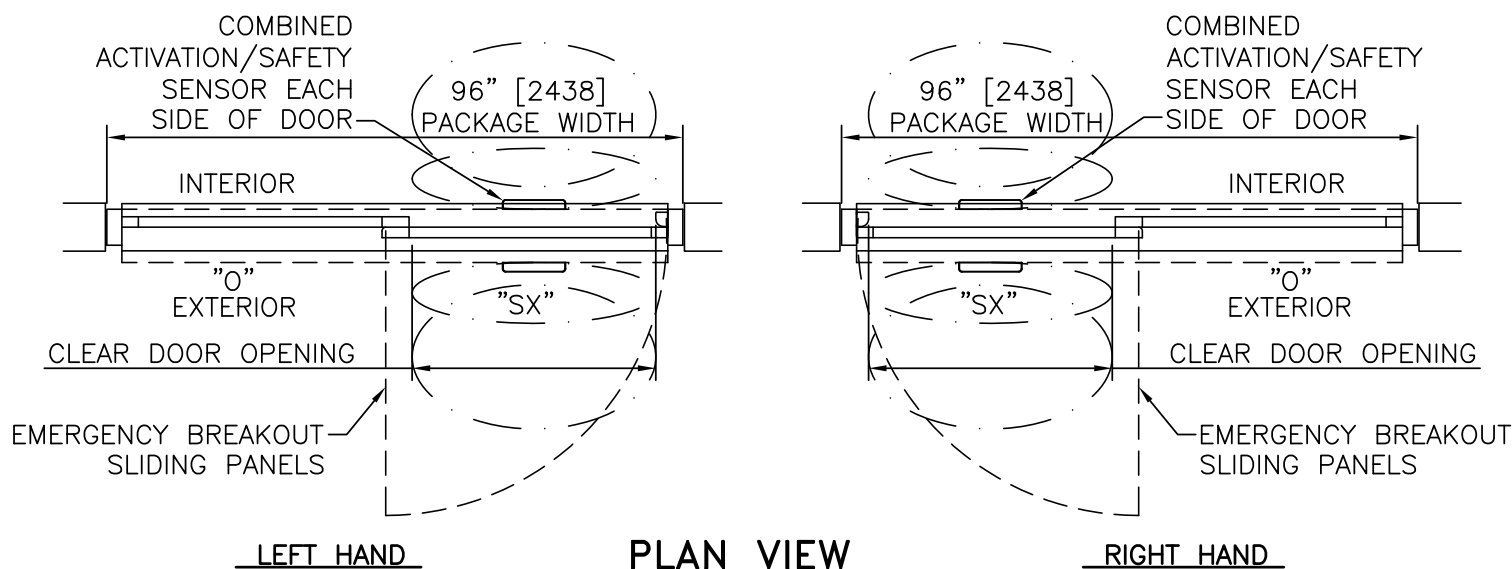
# DURA-SHIELD SECURITY SERIES

**SINGLE SLIDE BALLISTIC**  
PROJECT INFORMATION

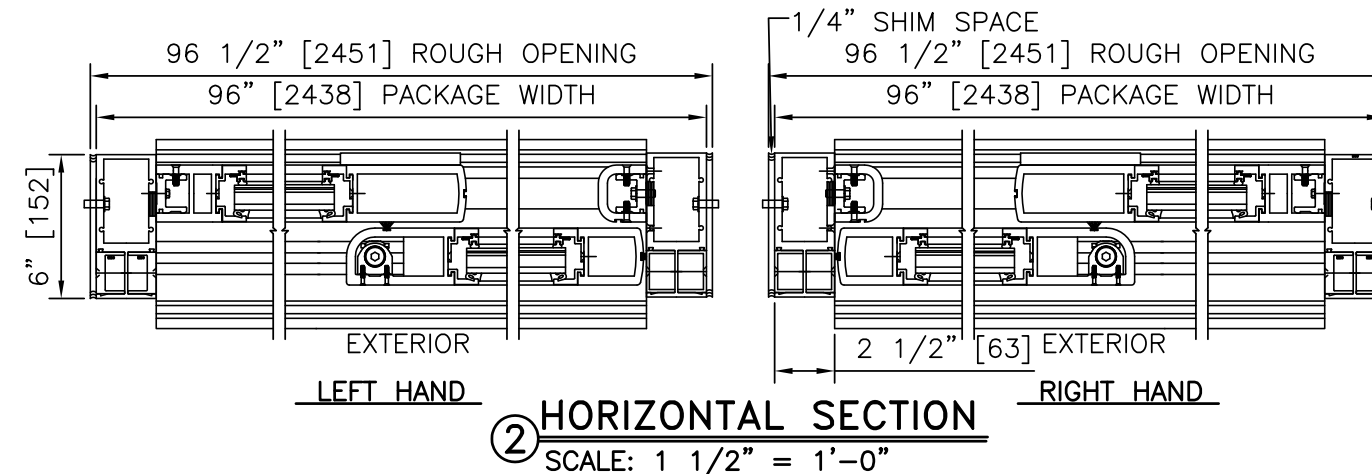
PROJECT NAME:	
LOCATION:	
DOOR NUMBER(S):	
DATE:	SHEET: OF



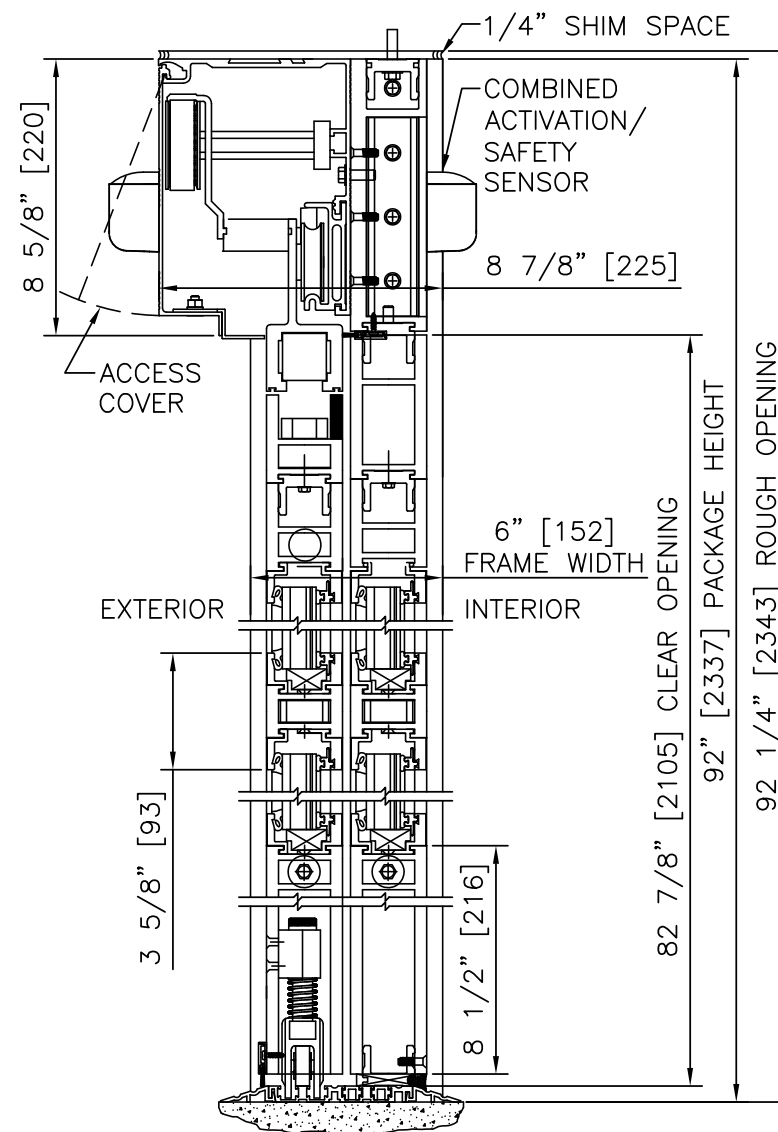
**ELEVATION VIEW**  
SCALE: 3/8" = 1'-0"



**PLAN VIEW**  
SCALE: 3/8" = 1'-0"



**HORIZONTAL SECTION**  
SCALE: 1 1/2" = 1'-0"



**VERTICAL SECTION**  
SCALE: 2" = 1'-0"

**PRODUCT OPTIONS**

- FINISH**
- ANODIZED CLEAR CL2
  - ANODIZED DK BRONZE
  - CUSTOM
- BOTTOM RAILS**
- 8 1/2" (STD)
  - 2 3/4"
- LOCKING**
- SOLENOID LOCK
- THRESHOLDS**
- SQ/BVL (EXT)
  - SQ/BVL (INT)
  - DBL BVL
  - RECESSED
- ACTIVATION/SAFETY**
- 2 COMBINED ACTIVATION/SAFETY SENSORS
- OTHER OPTIONS**
- UNINTERRUPTIBLE POWER SUPPLY
  - FLY OPEN BOX
  - JAMB CAMS

MAXIMUM PACKAGE DIMENSIONS				
PACKAGE WIDTH	NOMINAL CLEAR DOOR OPENING	SLIDE PANEL NOMINAL WIDTH	FIXED PANEL NOMINAL WIDTH	EMERGENCY BREAKOUT NOM. WIDTH
96" [2438]	36 3/8" [924]	48" [1219]	48" [1219]	41" [1041]
108"* [2743]	42 3/8" [1076]	54" [1372]	54" [1372]	47" [1194]

\* MAXIMUM PACKAGE WIDTH

**NOTES**

- ELECTRICAL REQUIREMENTS: 120 VAC, 10 AMP MIN TO POWER OPERATOR BY ELECTRICAL CONTRACTOR.
- ROUGH OPENING SHALL PROVIDE 1/4"[6] SHIM SPACE ON SIDES AND TOP OF PACKAGE.
- LIMITS OF ACTIVATION AND SAFETY ZONES ARE FOR REFERENCE ONLY; SEE ANSI/BHMA A156.10 FOR DETAILED REQUIREMENTS.
- BALLISTIC ENTRANCES ARE UL 752 LISTED, LEVEL III. BALLISTIC ENTRANCES INCLUDE BREAKOUT; SX-PANEL DESIGN.
- SEE SPECIFICATIONS FOR ADDITIONAL INFORMATION.

**DURA-SHIELD  
SECURITY  
SERIES**

**STANLEY**  
Access Technologies