



PROCARE™ 8500 AUTOMATIC 3-PANEL TELESCOPING ICU DOOR

3.27 - 3-PANEL TELESCOPIC, TRACKLESS, AUTOMATIC

- **3.27.01 - SS, RH, TL, AUTOMATIC**
- **3.27.02 - SS, LH, TL, AUTOMATIC**
- **3.27.03 - SS, RH, TL, S&D, AUTOMATIC**
- **3.27.04 - SS, LH, TL, S&D, AUTOMATIC**
- **3.27.05 - SS, RH, TL, S&D, ISOLATION, CLEAN ROOM, AUTOMATIC**
- **3.27.06 - SS, LH, TL, S&D, ISOLATION, CLEAN ROOM, AUTOMATIC**

**SS= SINGLE SLIDE
RH= RIGHT HAND
LH= LEFT HAND
TL= TRACKLESS
S&D= SMOKE & DRAFT**

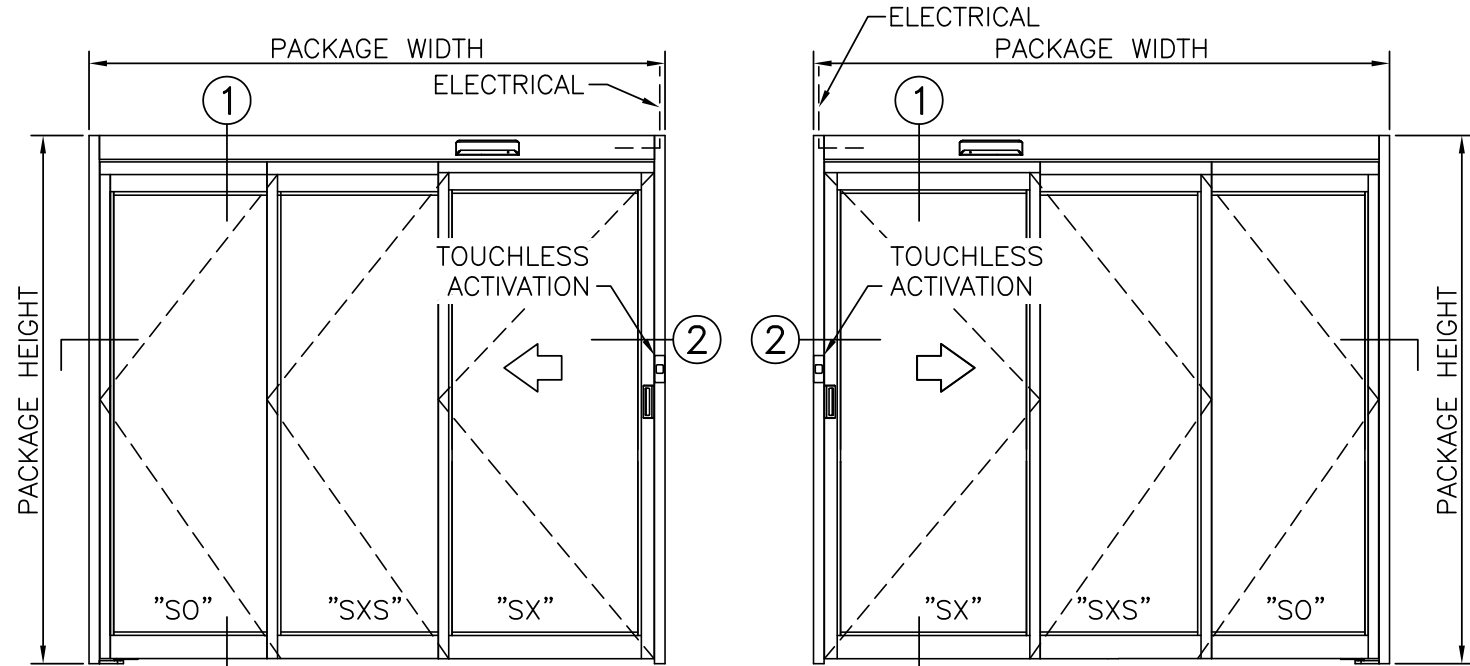
STANLEY
Access Technologies

PROCARE™ 8500A SERIES

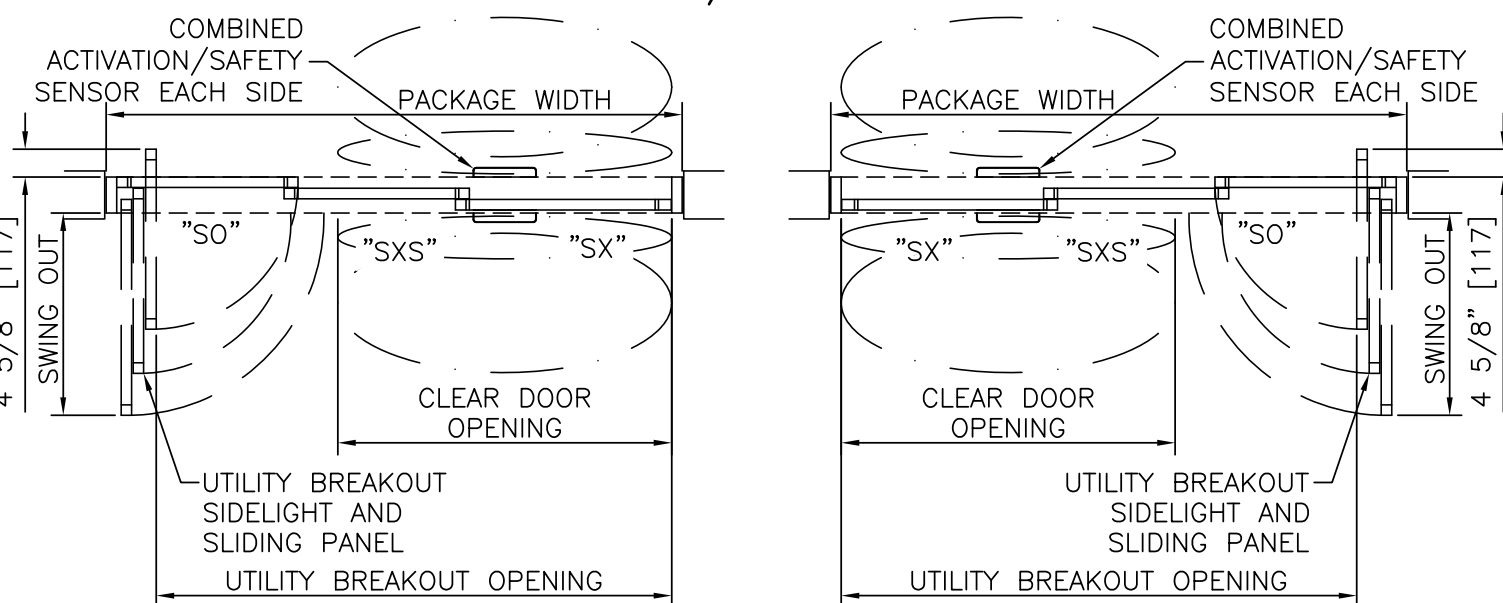
3-PANEL TELESCOPIC TRACKLESS, AUTOMATIC

PROJECT INFORMATION

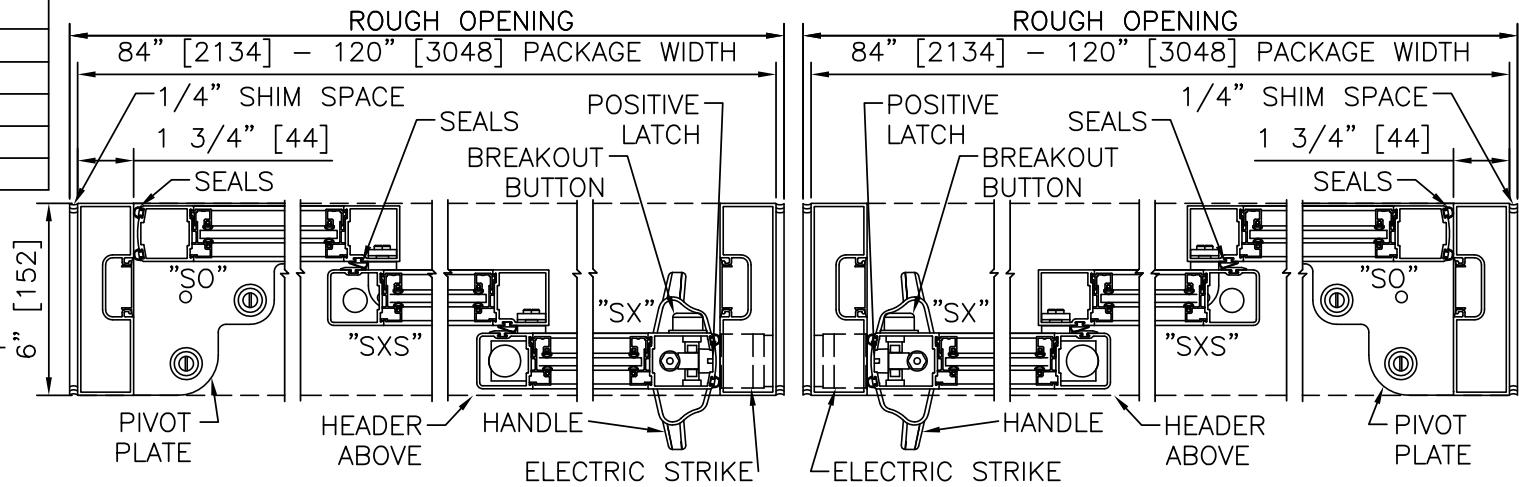
PROJECT NAME: _____
 LOCATION: _____
 DOOR NUMBER(S): _____
 DATE: _____ SHEET: OF _____



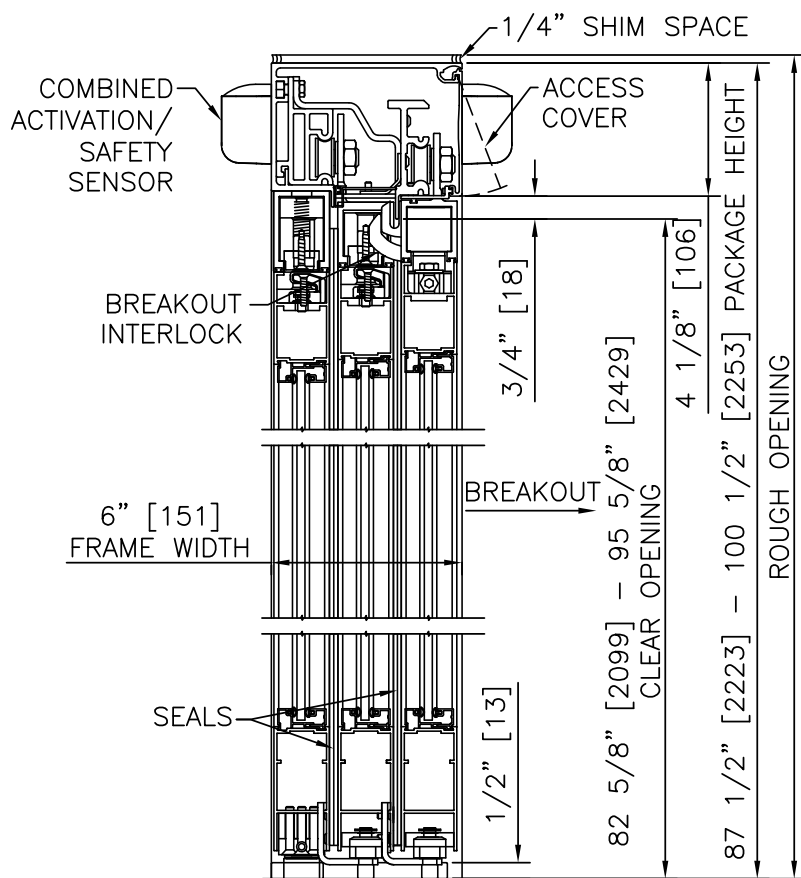
ELEVATION VIEW
SCALE: 3/8" = 1'-0"



PLAN VIEW
SCALE: 3/8" = 1'-0"



HORIZONTAL SECTION
SCALE: 2" = 1'-0"



VERTICAL SECTION
SCALE: 2" = 1'-0"

- PRODUCT OPTIONS**
- OPERATING STANDARD
 - A156.10
 - A156.38
 - FINISH
 - ANODIZED CLEAR CL2
 - CUSTOM
 - LATCHING/LOCKING
 - POSITIVE LATCH W/ ELECTRIC STRIKE
 - SECURITY LOCK W/ DUAL ELECTRIC STRIKE
 - 1-POINT LOCK
 - LOCK INDICATOR
 - BOTTOM RAILS
 - STANDARD 4"
 - OPTIONAL 6" 8" 10" 12"
 - MUNTINS
 - 2"
 - 4 1/4"
 - QUANTITY 0 1 2
 - ACTIVATION AND SAFETY
 - COMBINED ACTIVATION/SAFETY SENSORS
 - TOUCHLESS ACTIVATION
 - GLAZING
 - TEMPERED GLASS
 - PRIVACY GLASS BLINDS
 - ELECTRIC PRIVACY GLASS
 - OTHER OPTIONS
 - SMOKE & DRAFT CONTROL PACKAGE
 - ISOLATION PACKAGE (+/- PRESSURE)
 - CLEAN ROOM PKG (ISO 14644-1, CL 4.5)
 - ANTI-MICROBIAL COATING
 - TOUCH POINTS
 - PANELS, FRAME, HEADER
 - STC PACKAGE

3-PANEL FORMULAS (84" TO 94" PACKAGE WIDTH)
 PACKAGE WIDTH = CLEAR DOOR OPENING / 0.639 + 10.00[254]
 CLEAR DOOR OPENING = 0.639 * PACKAGE WIDTH - 6.39[162]
 UTILITY BREAKOUT WIDTH = PACKAGE WIDTH - 9.99[254]
 SX DOOR PANEL WIDTH = 0.361 * PACKAGE WIDTH + 2.02[51]
 SXS DOOR PANEL WIDTH = 0.361 * PACKAGE WIDTH - 3.36[85]
 SO DOOR PANEL WIDTH = 0.278 * PACKAGE WIDTH + 2.10[53]
 SWING OUT WIDTH = SX PANEL WIDTH - 1.95[50]

3-PANEL FORMULAS (>94" PACKAGE WIDTH)
 PACKAGE WIDTH = CLEAR DOOR OPENING / 0.647 + 10.00[254]
 CLEAR DOOR OPENING = 0.647 * PACKAGE WIDTH - 6.47[164]
 UTILITY BREAKOUT WIDTH = PACKAGE WIDTH - 9.99[254]
 SX DOOR PANEL WIDTH = 0.353 * PACKAGE WIDTH + 2.10[53]
 SXS DOOR PANEL WIDTH = 0.353 * PACKAGE WIDTH - 3.28[83]
 SO DOOR PANEL WIDTH = 0.294 * PACKAGE WIDTH + 1.93[49]
 SWING OUT WIDTH = SX PANEL WIDTH - 1.95[50]

TYPICAL PACKAGE DIMENSIONS						
PACKAGE WIDTH	NOMINAL CLEAR DOOR OPENING	SLIDING DOOR NOMINAL WIDTH	SLIDING DOOR NOMINAL WIDTH	SIDELIGHT NOMINAL WIDTH	UTILITY BREAKOUT NOMINAL WIDTH	SWING OUT NOMINAL WIDTH
84" [2134]	47.3" [1201]	32.3 [822]	27.0" [685]	25.4" [646]	74.0" [1880]	30.4" [772]
96" [2438]	55.7" [1414]	36.0 [914]	30.6" [777]	30.2" [766]	86.0" [2185]	34.0" [864]
108" [2743]	63.4" [1611]	40.2 [1021]	34.8" [885]	33.7" [856]	98.0" [2489]	38.3" [972]
120" [3048]	71.2" [1808]	44.4 [1129]	39.1" [992]	37.2" [946]	110.0" [2794]	42.5" [1079]

- NOTES**
- ELECTRICAL REQUIREMENTS: BY ELECTRICAL CONTRACTOR.
 - 120 VAC, 5 AMP MIN TO POWER OPERATOR
 - CONTROL CIRCUIT FROM REMOTE ACTIVATION TO OPERATOR.
 - ROUGH OPENING SHALL PROVIDE 1/4"[6] SHIM SPACE ON SIDES AND TOP OF PACKAGE.
 - STANDARD PACKAGE EXCLUDES LATCHING OR LOCKING. POSITIVE LATCHING AND LOCKING SYSTEMS AVAILABLE; POSITIVE LATCHING INCLUDED ON LEAKAGE RATED ASSEMBLIES; SMOKE & DRAFT, AND ISOLATION PACKAGES.
 - STANDARD GLAZING STOPS FOR ALL PANELS ARE 1/4"[6]; 1/2"[13], 5/8"[16], AND 1"[25] AVAILABLE.
 - STANDARD STILES, BOTTOM RAILS AND MUNTINS SHOWN; BOTTOM RAILS TO 12"[305], AND MUNTINS TO 4 1/4"[108] AVAILABLE.
 - SLIDING PANELS MUST BE DRIVEN TO FULL OPEN POSITION AND ENGAGE FLOOR MOUNTED HINGE PINS PRIOR TO PANEL BREAKOUT.
 - LIMITS OF ACTIVATION AND SAFETY ZONES ARE FOR REFERENCE ONLY; SEE ANSI/BHMA A156.10 FOR DETAILED REQUIREMENTS. SENSORS NOT REQUIRED WHEN INSTALLED TO OPERATE UNDER ANSI/BHMA A156.38 STANDARD.
 - SEE SPECIFICATIONS FOR ADDITIONAL INFORMATION.

3-PANEL TELESCOPIC TRACKLESS, AUTOMATIC

**PROCARE™
8500A
SERIES**

STANLEY
Access Technologies

**PROCARE™
8500A
SERIES**

SINGLE SLIDE RIGHT HAND TRACKLESS, AUTOMATIC

PROJECT INFORMATION

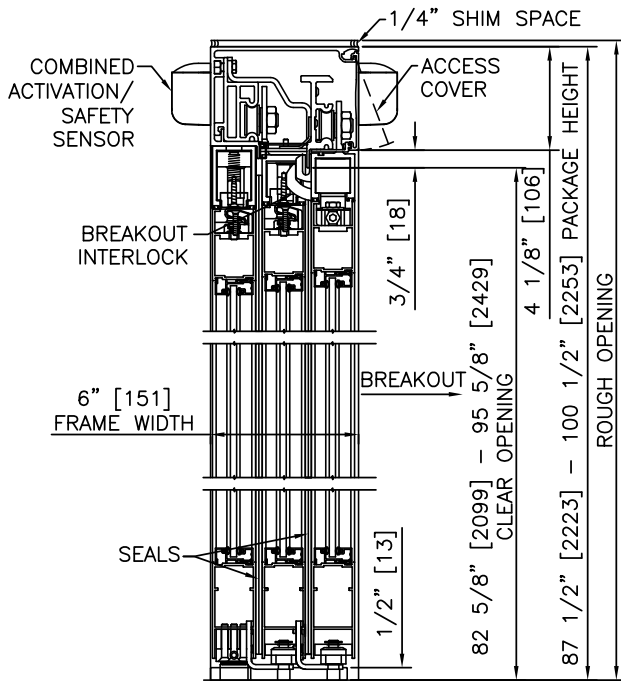
PROJECT NAME:

LOCATION:

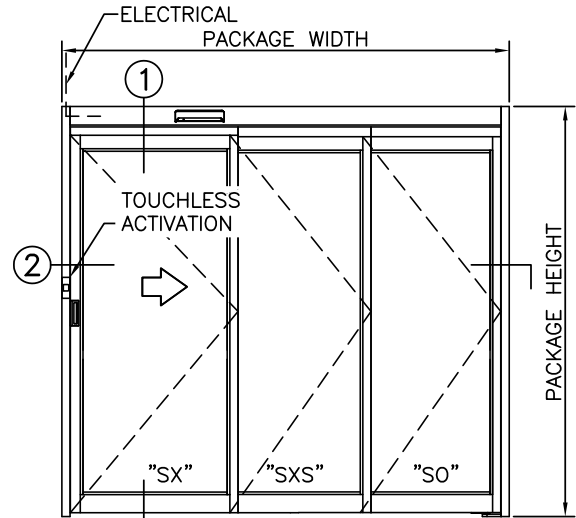
DOOR NUMBER(S):

DATE:

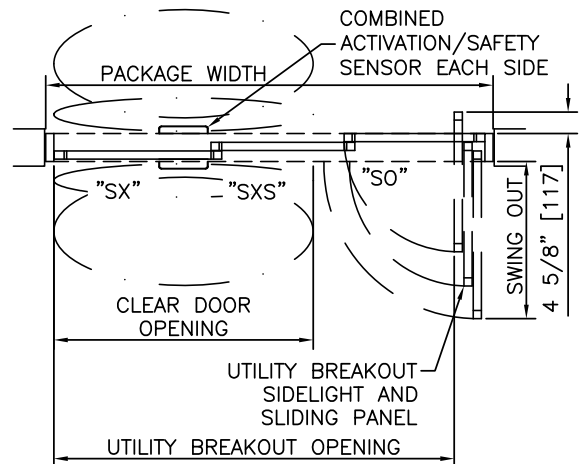
SHEET: OF



① VERTICAL SECTION



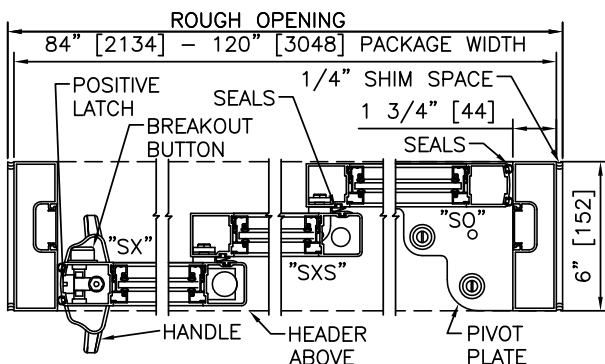
ELEVATION



PLAN

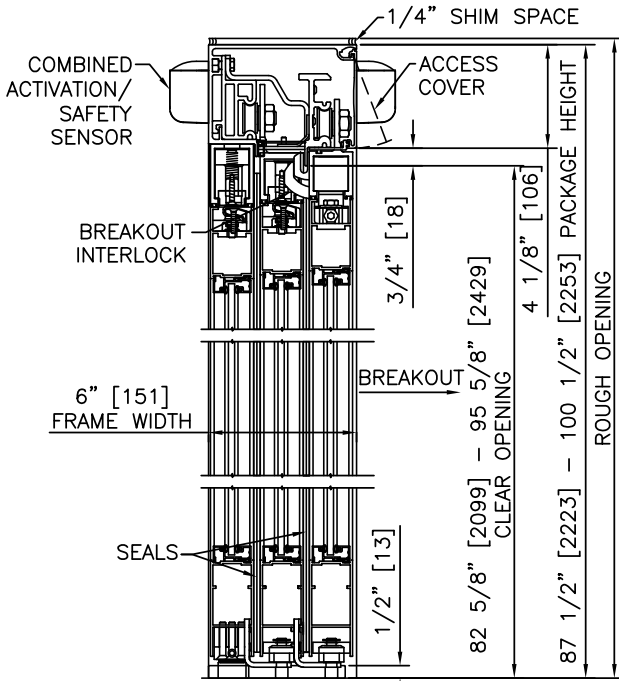
NOTES

1. ELECTRICAL REQUIREMENTS: BY ELECTRICAL CONTRACTOR.
 - 1.1. 120 VAC, 5 AMP MIN TO POWER OPERATOR
 - 1.2. CONTROL CIRCUIT FROM REMOTE ACTIVATION TO OPERATOR.
2. ROUGH OPENING SHALL PROVIDE 1/4"[6] SHIM SPACE ON SIDES AND TOP OF PACKAGE.
3. STANDARD PACKAGE EXCLUDES LATCHING OR LOCKING. POSITIVE LATCHING AND LOCKING SYSTEMS AVAILABLE; POSITIVE LATCHING INCLUDED ON LEAKAGE RATED ASSEMBLIES.
4. SLIDING PANELS MUST BE DRIVEN TO FULL OPEN POSITION AND ENGAGE FLOOR MOUNTED HINGE PINS PRIOR TO PANEL BREAKOUT.
5. LIMITS OF ACTIVATION AND SAFETY ZONES ARE FOR REFERENCE ONLY; SEE ANSI/BHMA A156.10 FOR DETAILED REQUIREMENTS. SENSORS NOT REQUIRED WHEN INSTALLED TO OPERATE UNDER ANSI/BHMA A156.38 STANDARD
6. SEE SPECIFICATIONS FOR ADDITIONAL INFORMATION.

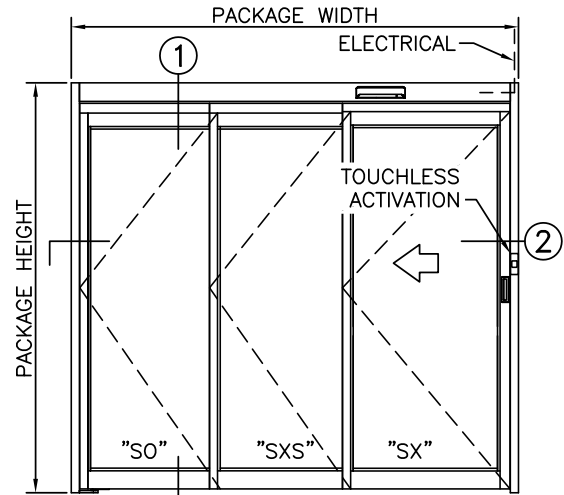


② HORIZONTAL SECTION

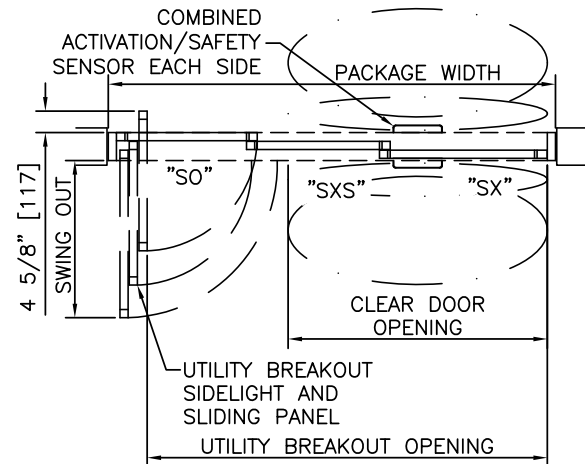
TYPICAL PACKAGE DIMENSIONS						
PACKAGE WIDTH	NOMINAL CLEAR DOOR OPENING	SLIDING DOOR NOMINAL WIDTH	SLIDING DOOR NOMINAL WIDTH	SIDELIGHT NOMINAL WIDTH	UTILITY BREAKOUT NOMINAL WIDTH	SWING OUT NOMINAL WIDTH
84" [2134]	47.3" [1201]	32.3 [822]	27.0" [685]	25.4" [646]	74.0" [1880]	30.4" [772]
96" [2438]	55.7" [1414]	36.0 [914]	30.6" [777]	30.2" [766]	86.0" [2185]	34.0" [864]
108" [2743]	63.4" [1611]	40.2 [1021]	34.8" [885]	33.7" [856]	98.0" [2489]	38.3" [972]
120" [3048]	71.2" [1808]	44.4 [1129]	39.1" [992]	37.2" [946]	110.0" [2794]	42.5" [1079]



① VERTICAL SECTION



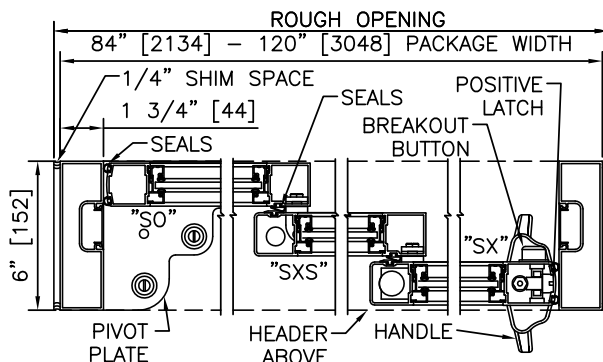
ELEVATION



PLAN

NOTES

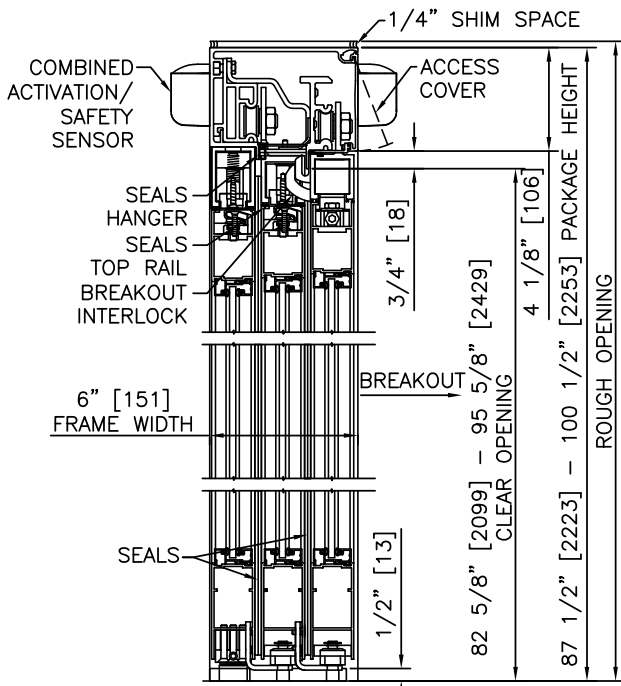
1. ELECTRICAL REQUIREMENTS: BY ELECTRICAL CONTRACTOR.
 - 1.1. 120 VAC, 5 AMP MIN TO POWER OPERATOR
 - 1.2. CONTROL CIRCUIT FROM REMOTE ACTIVATION TO OPERATOR.
2. ROUGH OPENING SHALL PROVIDE 1/4"[6] SHIM SPACE ON SIDES AND TOP OF PACKAGE.
3. STANDARD PACKAGE EXCLUDES LATCHING OR LOCKING. POSITIVE LATCHING AND LOCKING SYSTEMS AVAILABLE; POSITIVE LATCHING INCLUDED ON LEAKAGE RATED ASSEMBLIES.
4. SLIDING PANELS MUST BE DRIVEN TO FULL OPEN POSITION AND ENGAGE FLOOR MOUNTED HINGE PINS PRIOR TO PANEL BREAKOUT.
5. LIMITS OF ACTIVATION AND SAFETY ZONES ARE FOR REFERENCE ONLY; SEE ANSI/BHMA A156.10 FOR DETAILED REQUIREMENTS. SENSORS NOT REQUIRED WHEN INSTALLED TO OPERATE UNDER ANSI/BHMA A156.38 STANDARD
6. SEE SPECIFICATIONS FOR ADDITIONAL INFORMATION.



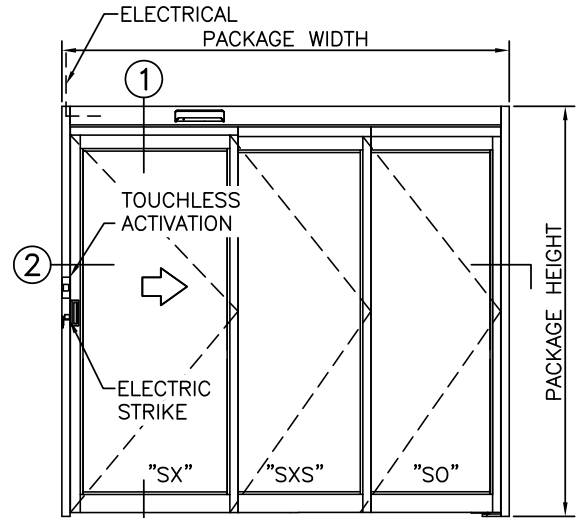
② HORIZONTAL SECTION

TYPICAL PACKAGE DIMENSIONS						
PACKAGE WIDTH	NOMINAL CLEAR DOOR OPENING	SLIDING DOOR NOMINAL WIDTH	SLIDING DOOR NOMINAL WIDTH	SIDELIGHT NOMINAL WIDTH	UTILITY BREAKOUT NOMINAL WIDTH	SWING OUT NOMINAL WIDTH
84" [2134]	47.3" [1201]	32.3 [822]	27.0" [685]	25.4" [646]	74.0" [1880]	30.4" [772]
96" [2438]	55.7" [1414]	36.0 [914]	30.6" [777]	30.2" [766]	86.0" [2185]	34.0" [864]
108" [2743]	63.4" [1611]	40.2 [1021]	34.8" [885]	33.7" [856]	98.0" [2489]	38.3" [972]
120" [3048]	71.2" [1808]	44.4 [1129]	39.1" [992]	37.2" [946]	110.0" [2794]	42.5" [1079]

SINGLE SLIDE RIGHT HAND TRACKLESS, SMOKE & DRAFT, AUTOMATIC	
PROJECT INFORMATION	
PROJECT NAME:	
LOCATION:	
DOOR NUMBER(S):	
DATE:	SHEET: OF



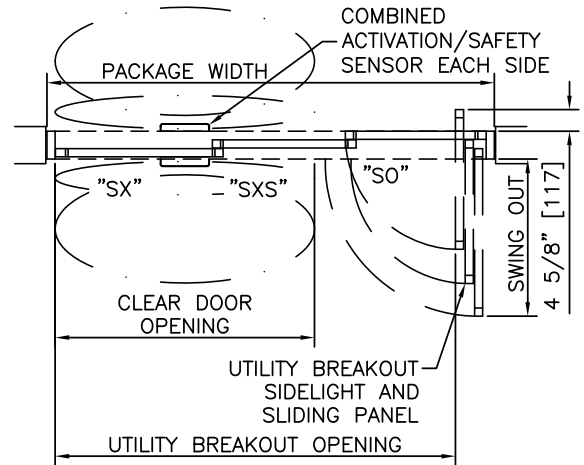
① VERTICAL SECTION



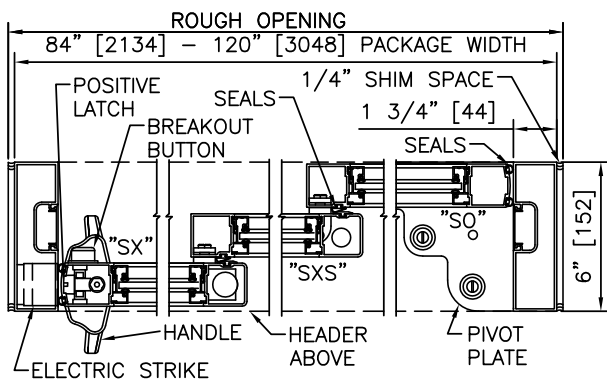
ELEVATION

NOTES

- ELECTRICAL REQUIREMENTS: BY ELECTRICAL CONTRACTOR.
 - 120 VAC, 5 AMP MIN TO POWER OPERATOR
 - CONTROL CIRCUIT FROM REMOTE ACTIVATION TO OPERATOR.
- ROUGH OPENING SHALL PROVIDE 1/4" [6] SHIM SPACE ON SIDES AND TOP OF PACKAGE.
- STANDARD PACKAGE INCLUDES POSITIVE LATCHING. LOCKING SYSTEMS AVAILABLE.
- SLIDING PANELS MUST BE DRIVEN TO FULL OPEN POSITION AND ENGAGE FLOOR MOUNTED HINGE PINS PRIOR TO PANEL BREAKOUT.
- LIMITS OF ACTIVATION AND SAFETY ZONES ARE FOR REFERENCE ONLY; SEE ANSI/BHMA A156.10 FOR DETAILED REQUIREMENTS. SENSORS NOT REQUIRED WHEN INSTALLED TO OPERATE UNDER ANSI/BHMA A156.38 STANDARD.
- PRODUCT IS CERTIFIED AS AN EFFECTIVE BARRIER AGAINST THE PASSAGE OF SMOKE IN ACCORDANCE WITH UL1784 AND NFPA 105.
- SEE SPECIFICATIONS FOR ADDITIONAL INFORMATION.

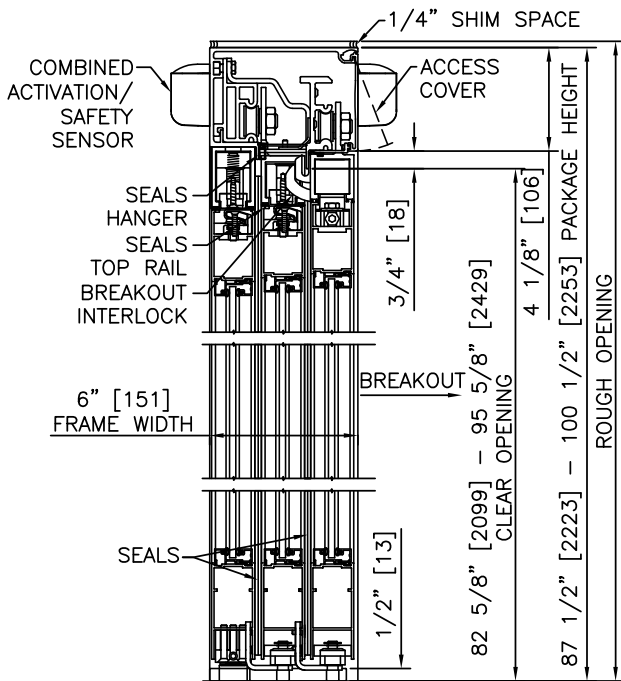


PLAN

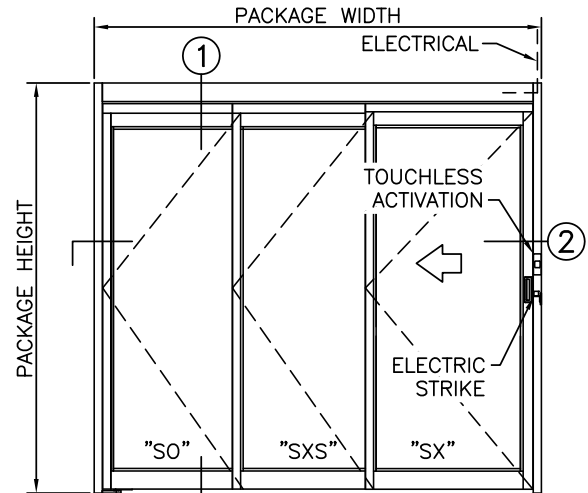


② HORIZONTAL SECTION

TYPICAL PACKAGE DIMENSIONS						
PACKAGE WIDTH	NOMINAL CLEAR DOOR OPENING	SLIDING DOOR NOMINAL WIDTH	SLIDING DOOR NOMINAL WIDTH	SIDLIGHT NOMINAL WIDTH	UTILITY BREAKOUT NOMINAL WIDTH	SWING OUT NOMINAL WIDTH
84" [2134]	47.3" [1201]	32.3" [822]	27.0" [685]	25.4" [646]	74.0" [1880]	30.4" [772]
96" [2438]	55.7" [1414]	36.0" [914]	30.6" [777]	30.2" [766]	86.0" [2185]	34.0" [864]
108" [2743]	63.4" [1611]	40.2" [1021]	34.8" [885]	33.7" [856]	98.0" [2489]	38.3" [972]
120" [3048]	71.2" [1808]	44.4" [1129]	39.1" [992]	37.2" [946]	110.0" [2794]	42.5" [1079]



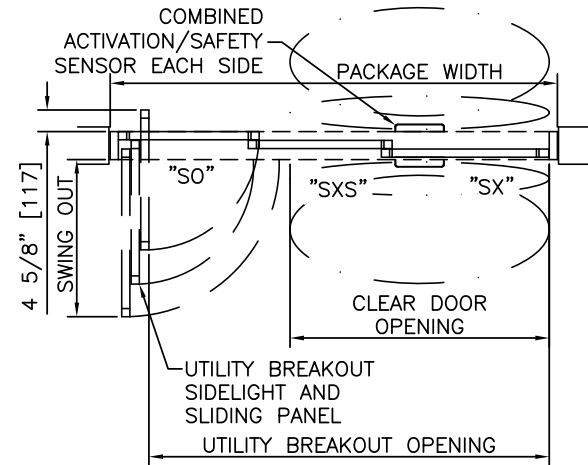
1 VERTICAL SECTION



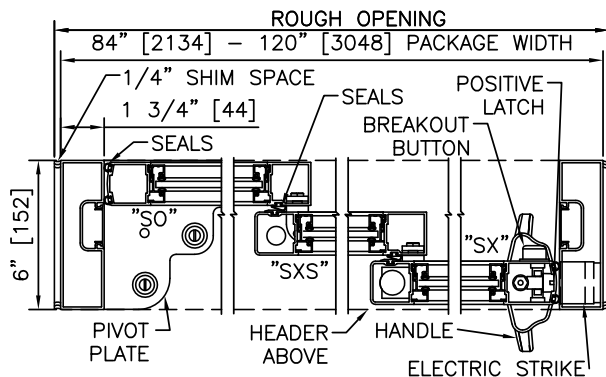
ELEVATION

NOTES

1. ELECTRICAL REQUIREMENTS: BY ELECTRICAL CONTRACTOR.
 - 1.1. 120 VAC, 5 AMP MIN TO POWER OPERATOR
 - 1.2. CONTROL CIRCUIT FROM REMOTE ACTIVATION TO OPERATOR.
2. ROUGH OPENING SHALL PROVIDE 1/4" [6] SHIM SPACE ON SIDES AND TOP OF PACKAGE.
3. STANDARD PACKAGE INCLUDES POSITIVE LATCHING. LOCKING SYSTEMS AVAILABLE.
4. SLIDING PANELS MUST BE DRIVEN TO FULL OPEN POSITION AND ENGAGE FLOOR MOUNTED HINGE PINS PRIOR TO PANEL BREAKOUT.
5. LIMITS OF ACTIVATION AND SAFETY ZONES ARE FOR REFERENCE ONLY; SEE ANSI/BHMA A156.10 FOR DETAILED REQUIREMENTS. SENSORS NOT REQUIRED WHEN INSTALLED TO OPERATE UNDER ANSI/BHMA A156.38 STANDARD.
6. PRODUCT IS CERTIFIED AS AN EFFECTIVE BARRIER AGAINST THE PASSAGE OF SMOKE IN ACCORDANCE WITH UL1784 AND NFPA 105.
7. SEE SPECIFICATIONS FOR ADDITIONAL INFORMATION.



PLAN



2 HORIZONTAL SECTION

TYPICAL PACKAGE DIMENSIONS						
PACKAGE WIDTH	NOMINAL CLEAR DOOR OPENING	SLIDING DOOR NOMINAL WIDTH	SLIDING DOOR NOMINAL WIDTH	SIDELIGHT NOMINAL WIDTH	UTILITY BREAKOUT NOMINAL WIDTH	SWING OUT NOMINAL WIDTH
84" [2134]	47.3" [1201]	32.3" [822]	27.0" [685]	25.4" [646]	74.0" [1880]	30.4" [772]
96" [2438]	55.7" [1414]	36.0" [914]	30.6" [777]	30.2" [766]	86.0" [2185]	34.0" [864]
108" [2743]	63.4" [1611]	40.2" [1021]	34.8" [885]	33.7" [856]	98.0" [2489]	38.3" [972]
120" [3048]	71.2" [1808]	44.4" [1129]	39.1" [992]	37.2" [946]	110.0" [2794]	42.5" [1079]

**PROCARE™
8500A SERIES
CLEAN ROOM**

SINGLE SLIDE RIGHT HAND TRACKLESS, S&D, ISOLATION, CLEAN ROOM, AUTOMATIC

PROJECT INFORMATION

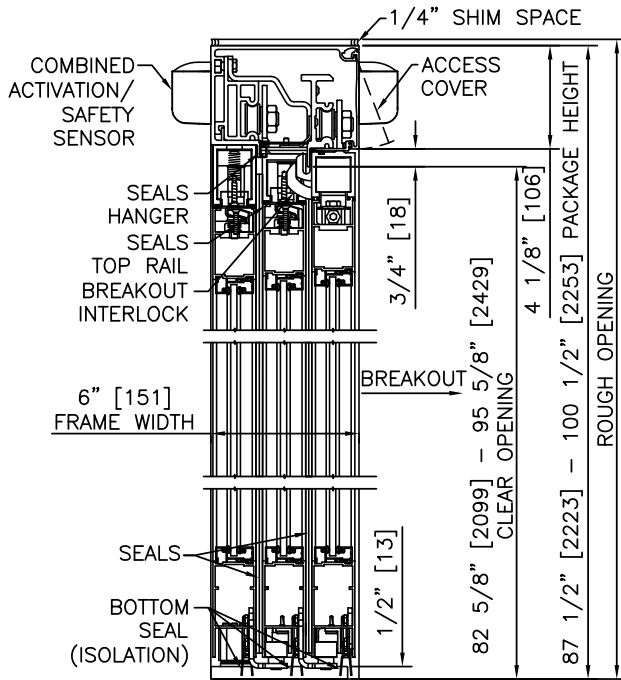
PROJECT NAME:

LOCATION:

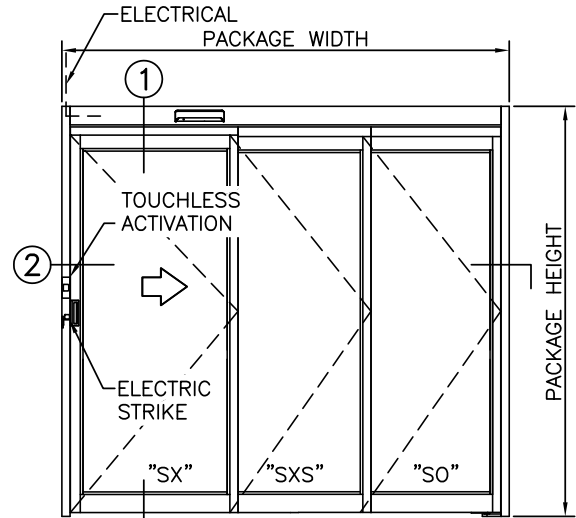
DOOR NUMBER(S):

DATE:

SHEET: OF



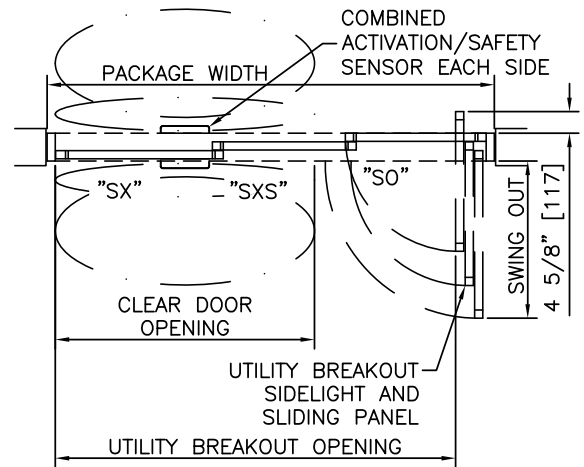
1 VERTICAL SECTION



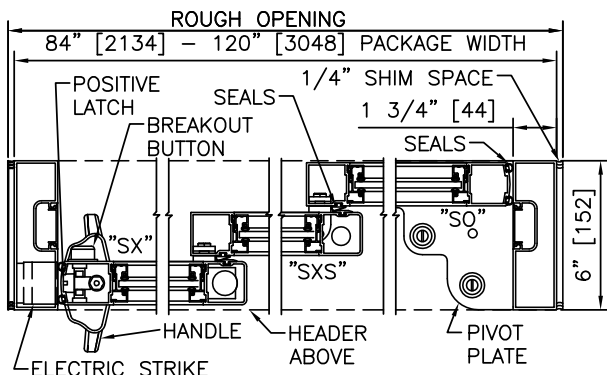
ELEVATION

NOTES

1. ELECTRICAL REQUIREMENTS: BY ELECTRICAL CONTRACTOR.
 - 1.1. 120 VAC, 5 AMP MIN TO POWER OPERATOR
 - 1.2. CONTROL CIRCUIT FROM REMOTE ACTIVATION TO OPERATOR.
2. ROUGH OPENING SHALL PROVIDE 1/4" [6] SHIM SPACE ON SIDES AND TOP OF PACKAGE.
3. STANDARD PACKAGE INCLUDES POSITIVE LATCHING. LOCKING SYSTEMS AVAILABLE.
4. SLIDING PANELS MUST BE DRIVEN TO FULL OPEN POSITION AND ENGAGE FLOOR MOUNTED HINGE PINS PRIOR TO PANEL BREAKOUT.
5. LIMITS OF ACTIVATION AND SAFETY ZONES ARE FOR REFERENCE ONLY; SEE ANSI/BHMA A156.10 FOR DETAILED REQUIREMENTS. SENSORS NOT REQUIRED WHEN INSTALLED TO OPERATE UNDER ANSI/BHMA A156.38 STANDARD.
6. PRODUCT IS CERTIFIED AS AN EFFECTIVE BARRIER AGAINST THE PASSAGE OF SMOKE IN ACCORDANCE WITH UL1784 AND NFPA 105.
7. PRODUCT IS LEAKAGE RATED, DESIGNED AND TESTED FOR USE IN ALL ROOMS
8. PRODUCTS IS CERTIFIED FOR USE IN CLEAN ROOM; ISO 14644-1 CLASS 4.5.
9. SEE SPECIFICATIONS FOR ADDITIONAL INFORMATION.



PLAN



2 HORIZONTAL SECTION

TYPICAL PACKAGE DIMENSIONS						
PACKAGE WIDTH	NOMINAL CLEAR DOOR OPENING	SLIDING DOOR NOMINAL WIDTH	SLIDING DOOR NOMINAL WIDTH	SIDELIGHT NOMINAL WIDTH	UTILITY BREAKOUT NOMINAL WIDTH	SWING OUT NOMINAL WIDTH
84" [2134]	47.3" [1201]	32.3 [822]	27.0" [685]	25.4" [646]	74.0" [1880]	30.4" [772]
96" [2438]	55.7" [1414]	36.0 [914]	30.6" [777]	30.2" [766]	86.0" [2185]	34.0" [864]
108" [2743]	63.4" [1611]	40.2 [1021]	34.8" [885]	33.7" [856]	98.0" [2489]	38.3" [972]
120" [3048]	71.2" [1808]	44.4 [1129]	39.1" [992]	37.2" [946]	110.0" [2794]	42.5" [1079]

**PROCARE™
8500A SERIES
CLEAN ROOM**

SINGLE SLIDE LEFT HAND TRACKLESS, S&D, ISOLATION, CLEAN ROOM, AUTOMATIC

PROJECT INFORMATION

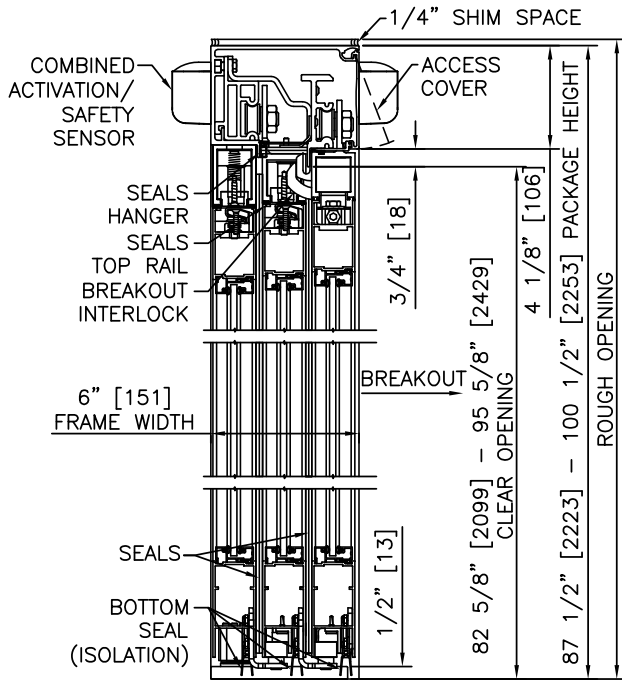
PROJECT NAME:

LOCATION:

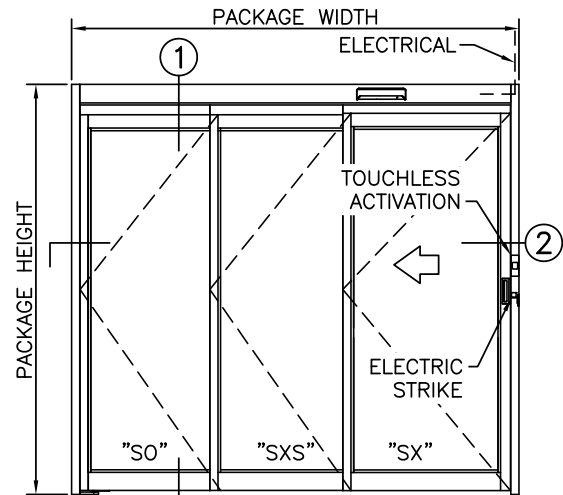
DOOR NUMBER(S):

DATE:

SHEET: OF



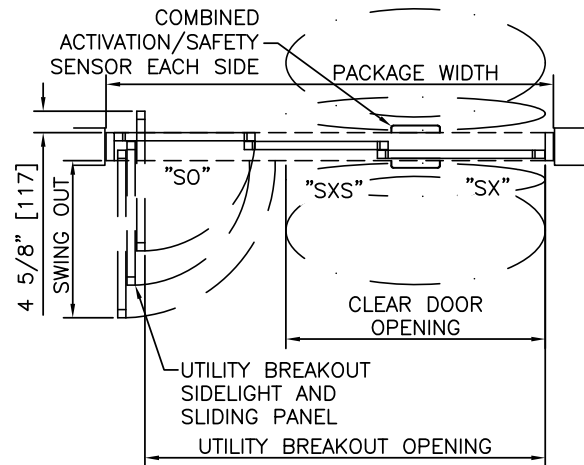
1 VERTICAL SECTION



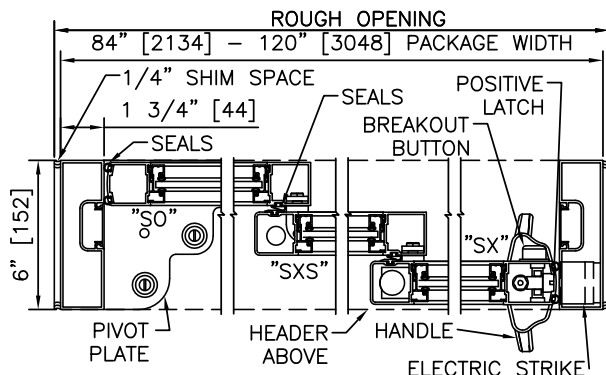
ELEVATION

NOTES

1. ELECTRICAL REQUIREMENTS: BY ELECTRICAL CONTRACTOR.
 - 1.1. 120 VAC, 5 AMP MIN TO POWER OPERATOR
 - 1.2. CONTROL CIRCUIT FROM REMOTE ACTIVATION TO OPERATOR.
2. ROUGH OPENING SHALL PROVIDE 1/4"[6] SHIM SPACE ON SIDES AND TOP OF PACKAGE.
3. STANDARD PACKAGE INCLUDES POSITIVE LATCHING. LOCKING SYSTEMS AVAILABLE.
4. SLIDING PANELS MUST BE DRIVEN TO FULL OPEN POSITION AND ENGAGE FLOOR MOUNTED HINGE PINS PRIOR TO PANEL BREAKOUT.
5. LIMITS OF ACTIVATION AND SAFETY ZONES ARE FOR REFERENCE ONLY; SEE ANSI/BHMA A156.10 FOR DETAILED REQUIREMENTS. SENSORS NOT REQUIRED WHEN INSTALLED TO OPERATE UNDER ANSI/BHMA A156.38 STANDARD.
6. PRODUCT IS CERTIFIED AS AN EFFECTIVE BARRIER AGAINST THE PASSAGE OF SMOKE IN ACCORDANCE WITH UL1784 AND NFPA 105.
7. PRODUCT IS LEAKAGE RATED, DESIGNED AND TESTED FOR USE IN ALL ROOMS
8. PRODUCTS IS CERTIFIED FOR USE IN CLEAN ROOM; ISO 14644-1 CLASS 4.5.
9. SEE SPECIFICATIONS FOR ADDITIONAL INFORMATION.



PLAN



2 HORIZONTAL SECTION

TYPICAL PACKAGE DIMENSIONS						
PACKAGE WIDTH	NOMINAL CLEAR DOOR OPENING	SLIDING DOOR NOMINAL WIDTH	SLIDING DOOR NOMINAL WIDTH	SIDLIGHT NOMINAL WIDTH	UTILITY BREAKOUT NOMINAL WIDTH	SWING OUT NOMINAL WIDTH
84" [2134]	47.3" [1201]	32.3 [822]	27.0" [685]	25.4" [646]	74.0" [1880]	30.4" [772]
96" [2438]	55.7" [1414]	36.0 [914]	30.6" [777]	30.2" [766]	86.0" [2185]	34.0" [864]
108" [2743]	63.4" [1611]	40.2 [1021]	34.8" [885]	33.7" [856]	98.0" [2489]	38.3" [972]
120" [3048]	71.2" [1808]	44.4 [1129]	39.1" [992]	37.2" [946]	110.0" [2794]	42.5" [1079]