

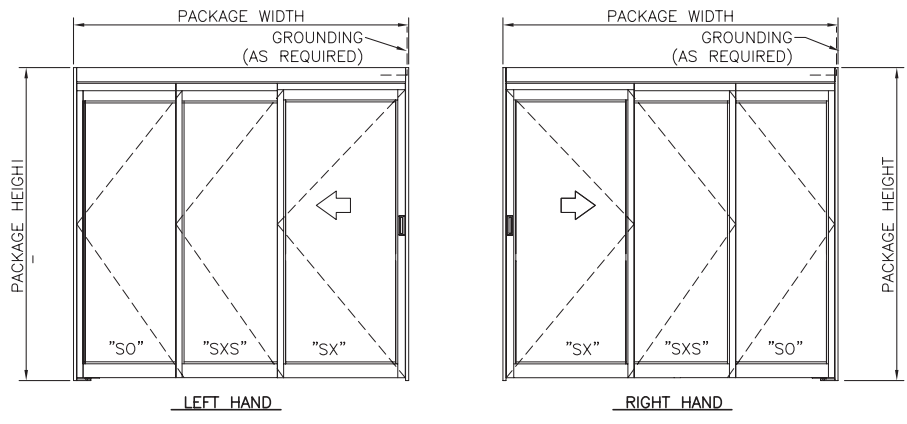
PROCARE™ 8500 & 8500A ICU DOOR SPECIFICATIONS

Description	Configuration	
Configurations	Automatic or Manual 3-Panel Trackless, Smoke & Draft (optional), Isolation (optional)	
Utility Breakout	3 Panels swing out from full open position	
Typical Height	87.5" - 100.5"	
Typical Width	84" to 120"	
Header Size	4 1/8" Nominal Height	
Jamb Dimension	Manual: 6"x7/8" standard 6"x1 3/4" optional.	Auto: 6"x1 3/4" only
Clear Door Opening Width <i>Refer to architectural drawing for CDO at other package widths</i>	Manual: 56.8" at 96" package width (7/8" jombs);	Auto: 55.7" at 96" package width (1 3/4" jombs)
Utility Breakout Nominal Width <i>Refer to architectural drawing for CDO at other package widths</i>	Manual: 87.8" at 96" package width (7/8" jombs);	Auto: 86" at 96" package width (1 3/4" jombs)
Supported Glazing	1/4" (Std); 5/8", 1/2", 1" Insulated, Electronic Privacy Glass (EPG), Privacy Blinds	
Stiles	Narrow	
Bottom Rails	4" (Std), 6", 8", 10", 12", other custom	
Muntins	0, 1 (Std) or 2 2" (Std) and 4 1/4"	
Finishes	Anodized, PVDF Paint, Anti-Microbial (Touch Points or All)	
Hardware Options	Positive Latch, Single-Point Locking, Concealed Self Closing	
Ratings/Listings	Leakage (Smoke & Draft), Positive/Negative Pressure (ASTM E283), Clean Room (ISO 14644-1, Class 3), STC (Sound Transmittance), UL1784	
Codes And Standards	NFPA 101, NFPA 105, IBC, FGI	
Activation/Safety	Not required for Manual 8500	Full Energy ANSI/BHMA A156.10 (Std), Low Energy ANSI/BHMA A156.38 (Full Energy / Low Energy); Jamb Mounted Touchless Activation + Combined Activation/Safety Sensors

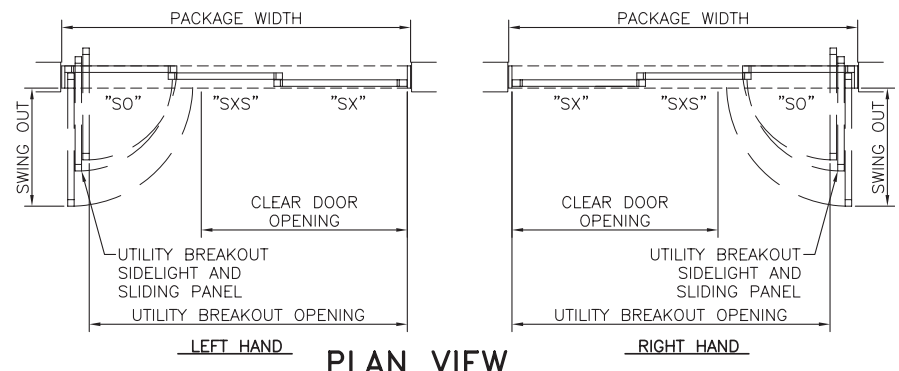
PROCARE™ 8500 & 8500A

DOOR SPECIFICATIONS

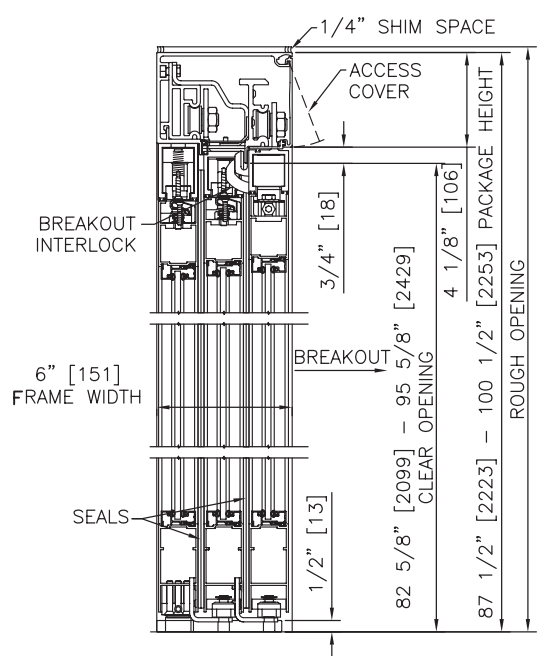
Drawings shown are 7/8" jambs for manual doors. Automatic doors require 1 3/4" jambs.



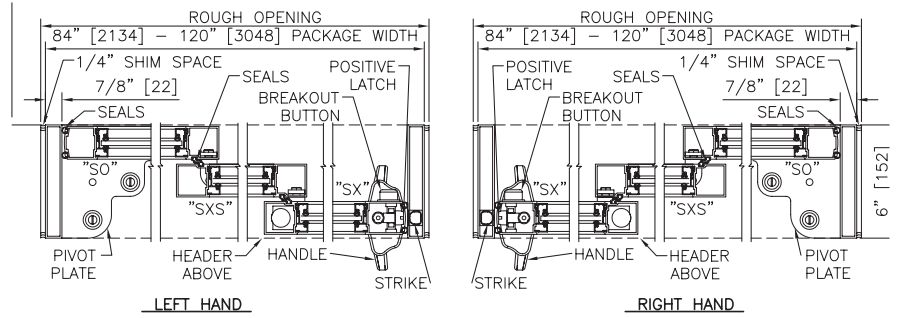
ELEVATION VIEW
SCALE: 3/8" = 1'-0"



PLAN VIEW
SCALE: 3/8" = 1'-0"



VERTICAL SECTION
SCALE: 2" = 1'-0"



HORIZONTAL SECTION
SCALE: 2" = 1'-0"

TYPICAL PACKAGE DIMENSIONS (7/8" JAMBS)						
PACKAGE WIDTH	NOMINAL CLEAR DOOR OPENING	SLIDING DOOR NOMINAL WIDTH	SLIDING DOOR NOMINAL WIDTH	SIDELIGHT NOMINAL WIDTH	UTILITY BREAKOUT NOMINAL WIDTH	SWING OUT NOMINAL WIDTH
84" [2134]	48.4" [1229]	33.0 [838]	27.6" [701]	25.9" [658]	75.8" [1924]	31.0" [788]
96" [2438]	56.8" [1442]	36.6 [929]	31.2" [793]	30.7" [779]	87.8" [2229]	34.6" [880]
108" [2743]	64.5" [1640]	40.8 [1027]	35.5" [900]	34.2" [869]	99.8" [2534]	38.9" [988]
120" [3048]	72.3" [1837]	45.1 [1145]	39.7" [1008]	37.7" [959]	111.8" [2839]	43.1" [1095]

Table shown is for 7/8" jambs for manual doors. Automatic doors require 1 3/4" jambs.

3-PANEL FORMULAS (84" TO 94" PACKAGE WIDTH W/ 7/8" JAMBS)
 PACKAGE WIDTH = CLEAR DOOR OPENING / 0.639 + 8.25"[210]
 CLEAR DOOR OPENING = 0.639 * PACKAGE WIDTH - 5.27"[134]
 UTILITY BREAKOUT WIDTH = PACKAGE WIDTH - 8.24"[209]
 SX DOOR PANEL WIDTH = 0.361 * PACKAGE WIDTH + 2.65"[67]
 SXS DOOR PANEL WIDTH = 0.361 * PACKAGE WIDTH - 2.73"[69]
 SO DOOR PANEL WIDTH = 0.278 * PACKAGE WIDTH + 2.58"[66]
 SWING OUT WIDTH = SX PANEL WIDTH - 1.95"[50]

3-PANEL FORMULAS (>94" PACKAGE WIDTH W/ 7/8" JAMBS)
 PACKAGE WIDTH = CLEAR DOOR OPENING / 0.647 + 8.25"[210]
 CLEAR DOOR OPENING = 0.647 * PACKAGE WIDTH - 5.34"[136]
 UTILITY BREAKOUT WIDTH = PACKAGE WIDTH - 8.24"[209]
 SX DOOR PANEL WIDTH = 0.353 * PACKAGE WIDTH + 2.71"[69]
 SXS DOOR PANEL WIDTH = 0.353 * PACKAGE WIDTH - 2.66"[68]
 SO DOOR PANEL WIDTH = 0.294 * PACKAGE WIDTH + 2.45"[62]
 SWING OUT WIDTH = SX PANEL WIDTH - 1.95"[50]

- NOTES**
- CONNECTION TO BUILDING GROUND BY ELECTRICAL CONTRACTOR.
 - ROUGH OPENING SHALL PROVIDE 1/4"[6] SHIM SPACE ON SIDES AND TOP OF PACKAGE.
 - STANDARD PACKAGE EXCLUDES LATCHING OR LOCKING. POSITIVE LATCHING AND LOCKING SYSTEMS AVAILABLE; POSITIVE LATCHING INCLUDED ON LEAKAGE RATED ASSEMBLIES; SMOKE & DRAFT, AND ISOLATION PACKAGES.
 - STANDARD GLAZING STOPS FOR ALL PANELS ARE 1/4"[6]; 1/2"[13], 5/8"[16], AND 1"[25] AVAILABLE.
 - STANDARD STILES, BOTTOM RAILS AND MUNTINS SHOWN; BOTTOM RAILS TO 12"[305], AND MUNTINS TO 4 1/4"[108] AVAILABLE.
 - SLIDING PANELS MUST BE DRIVEN TO FULL OPEN POSITION AND ENGAGE FLOOR MOUNTED HINGE PINS PRIOR TO PANEL BREAKOUT.
 - SEE SPECIFICATIONS FOR ADDITIONAL INFORMATION.