

**DURA-GLIDE
5000
SERIES**

5000 TRANSOM OPTIONS

PROJECT INFORMATION

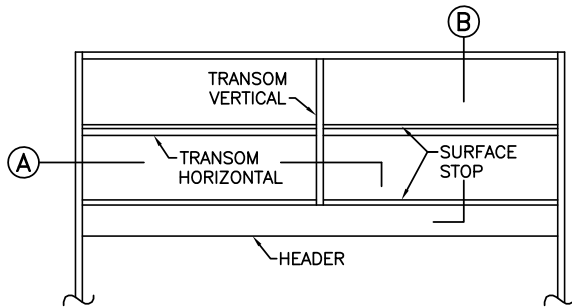
PROJECT NAME:

LOCATION:

DOOR NUMBER(S):

DATE:

SHEET: OF

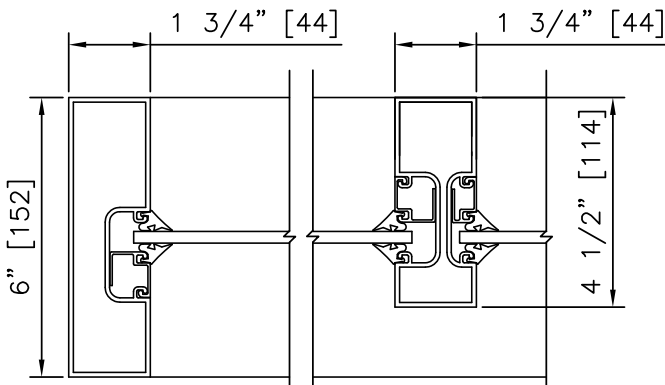


ELEVATION VIEW

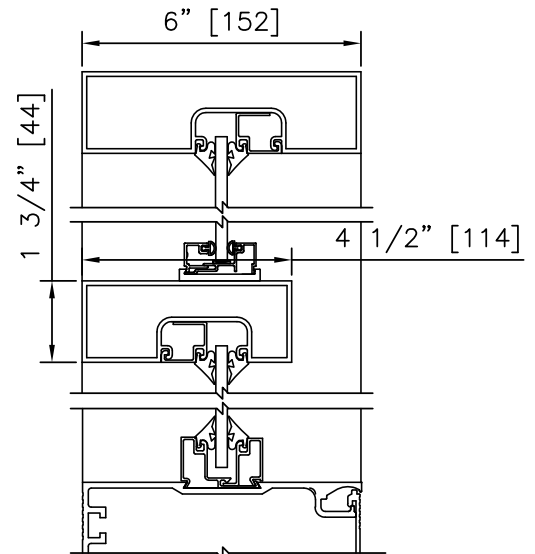
SCALE: NOT TO SCALE

NOTES

1. "INTERIOR" AND "EXTERIOR" ORIENTATION VARIES WITH PACKAGE TYPE. SEE SPECIFIC PACKAGE DRAWINGS FOR CORRECT ORIENTATION.
2. ALL 5000 SERIES PACKAGES SHOWN WITH STANDARD 6"[152] FRAME; INTERNAL TRANSOM HORIZONTAL AND VERTICAL ELEMENTS ARE 4 1/2"[144].
3. ALL TRANSOM GLAZING FOR 5000 SERIES ENTRANCES IS 1/4"[6].
4. SEE SPECIFICATIONS FOR ADDITIONAL INFORMATION.



A1 HORIZONTAL SECTION
1/4" GLASS



B1 VERTICAL SECTION
1/4" GLASS