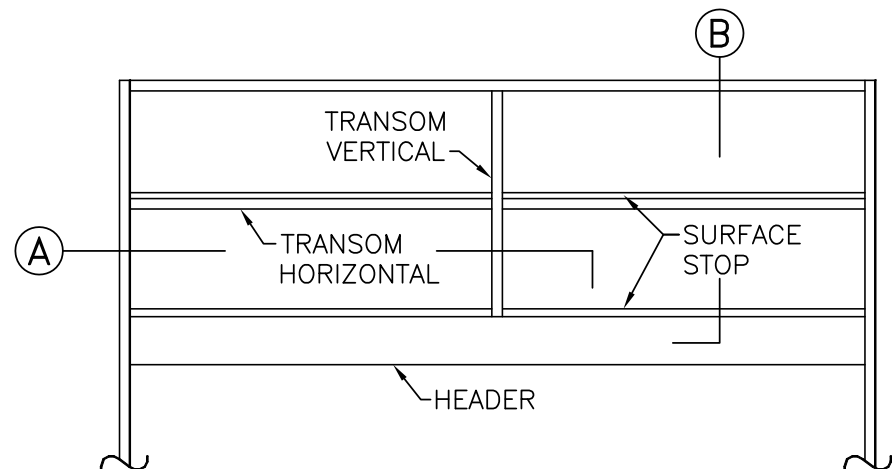


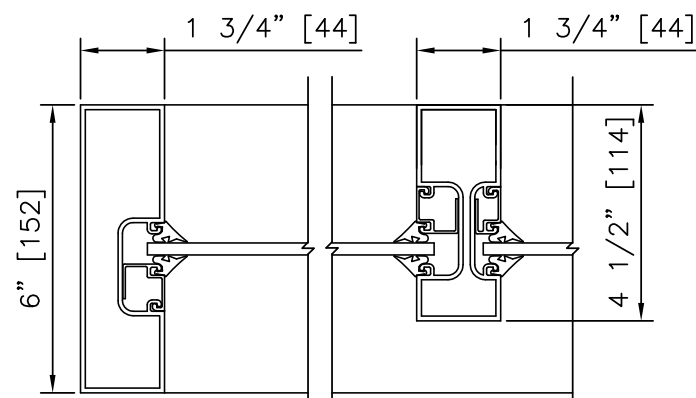
STANLEY
Access Technologies

DURA-GLIDE
2000/3000/5000
SERIES

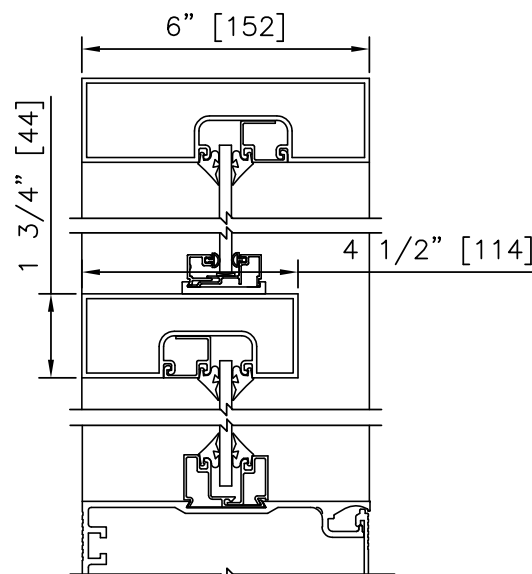
TRANSOM OPTIONS	
PROJECT INFORMATION	
PROJECT NAME:	
LOCATION:	
DOOR NUMBER(S):	
DATE:	SHEET: OF



ELEVATION VIEW
SCALE: NOT TO SCALE



A1
HORIZONTAL SECTION
1/4" GLASS

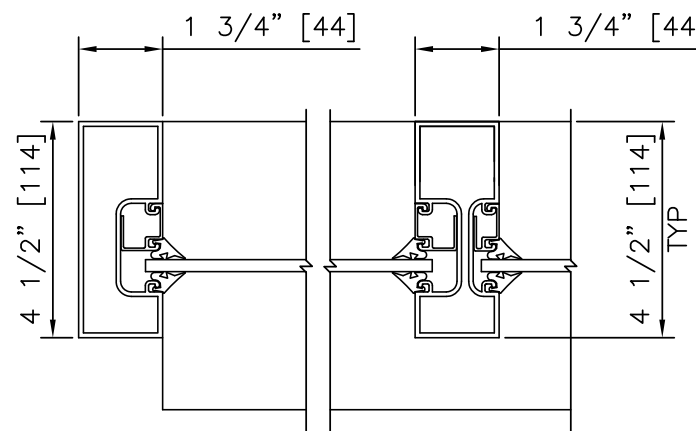


B1
VERTICAL SECTION
1/4" GLASS
WITH HORIZONTAL

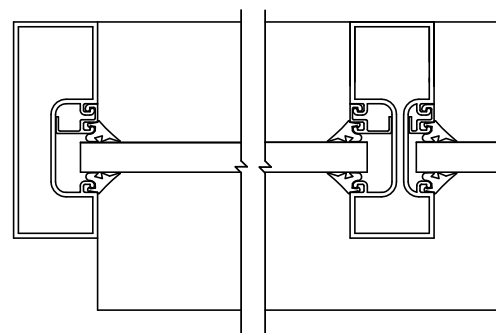
DURA-GLIDE 5000 SERIES
SCALE: 3" = 1'-0"

NOTES

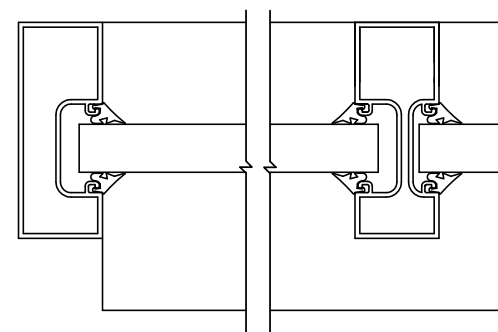
- "INTERIOR" AND "EXTERIOR" ORIENTATION VARIES WITH PACKAGE TYPE. SEE SPECIFIC PACKAGE DRAWINGS FOR CORRECT ORIENTATION.
- ALL 2000/3000 SERIES PACKAGES SHOWN WITH STANDARD 4 1/2"[114] FRAME; 6"[152] FRAME AVAILABLE. INTERNAL TRANSOM HORIZONTAL AND VERTICAL ELEMENTS ARE 4 1/2"[144].
- ALL TRANSOM GLAZING FOR 5000 SERIES ENTRANCES IS 1/4"[6].
- SEE SPECIFICATIONS FOR ADDITIONAL INFORMATION.



A1
HORIZONTAL SECTION
1/4" GLASS

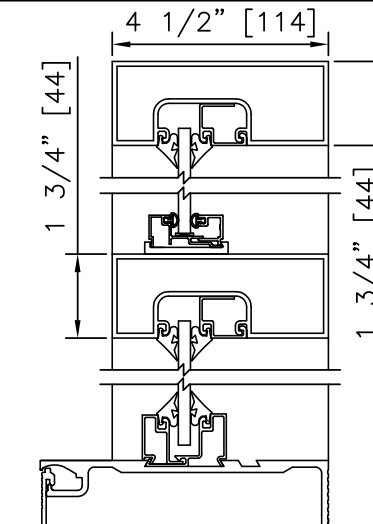


A2
HORIZONTAL SECTION
5/8" GLASS

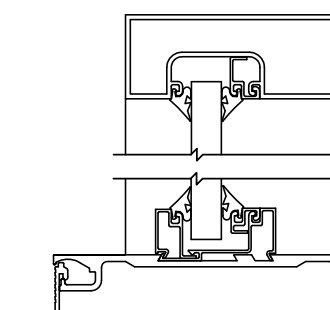


A3
HORIZONTAL SECTION
1" GLASS

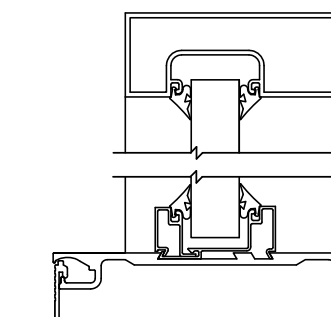
DURA-GLIDE 2000/3000 SERIES
SCALE: 3" = 1'-0"



B1
VERTICAL SECTION
1/4" GLASS
WITH HORIZONTAL



B2
VERTICAL SECTION
5/8" GLASS
WITHOUT HORIZONTAL



B3
VERTICAL SECTION
1" GLASS
WITHOUT HORIZONTAL

TRANSOM OPTIONS

DURA-GLIDE
2000/3000/5000
SERIES

STANLEY
Access Technologies