

STANLEY
Access Technologies

M-FORCE™
(NEXT GENERATION MAGIC-FORCE™)
WITH
SWING-GUARD®

FULL ENERGY OPERATOR ON H.M./WOOD DOOR & FRAME

PROJECT INFORMATION

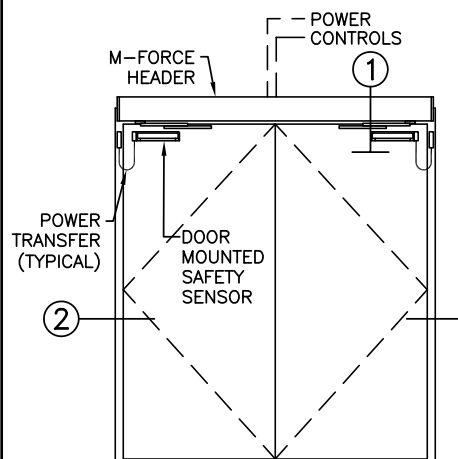
PROJECT NAME:

LOCATION:

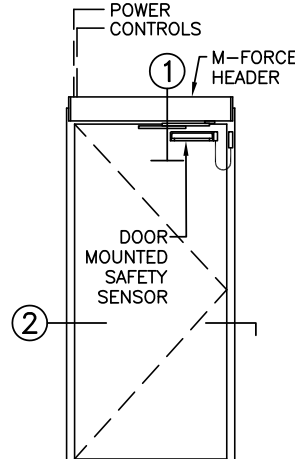
DOOR NUMBER(S):

DATE:

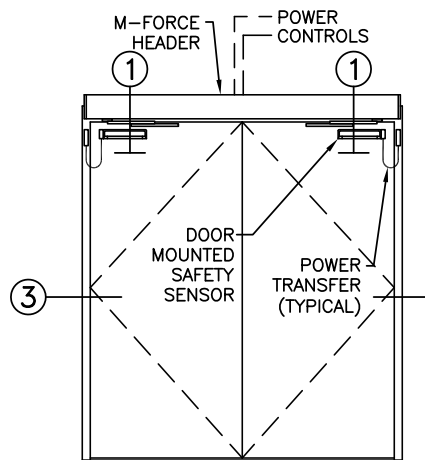
SHEET: OF



PAIR VISIBLE

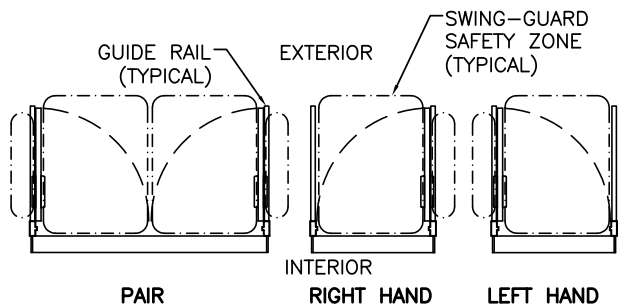


SINGLE VISIBLE

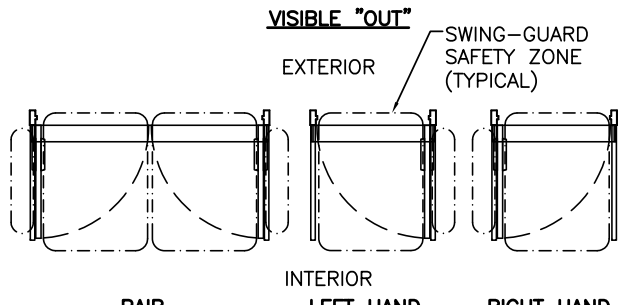


DOUBLE EGRESS

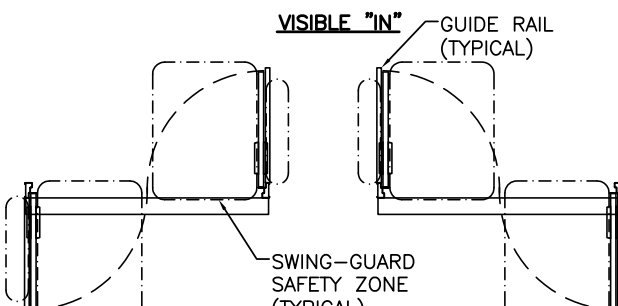
ELEVATIONS
SCALE: 1/4" = 1'-0"



PAIR

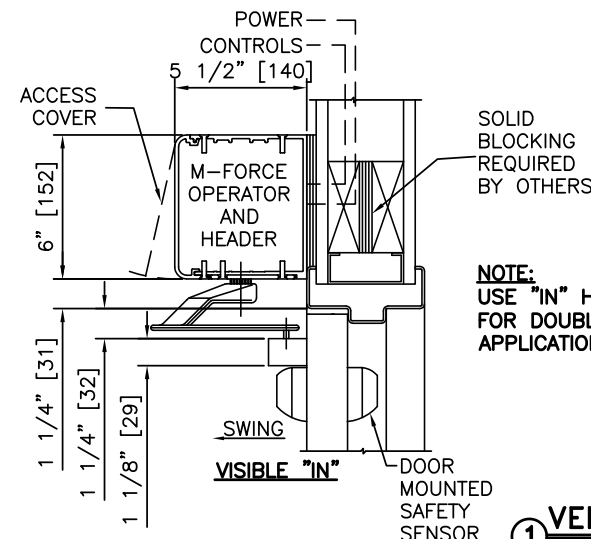


PAIR

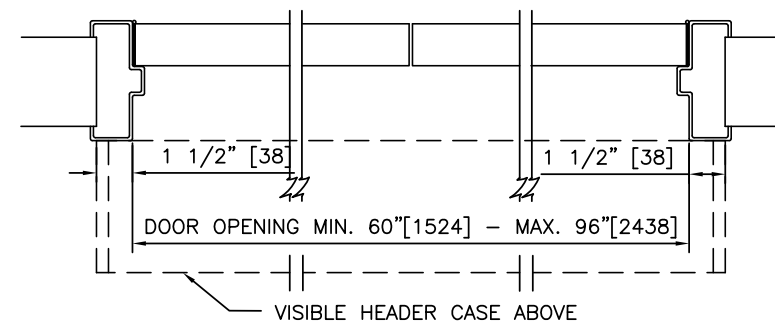
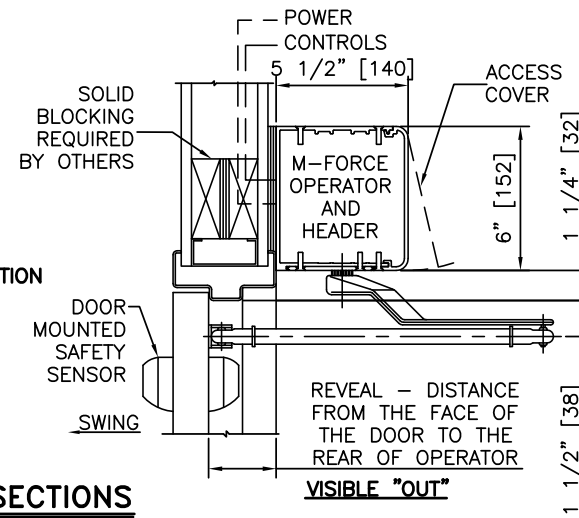


PAIR RH PAIR LH

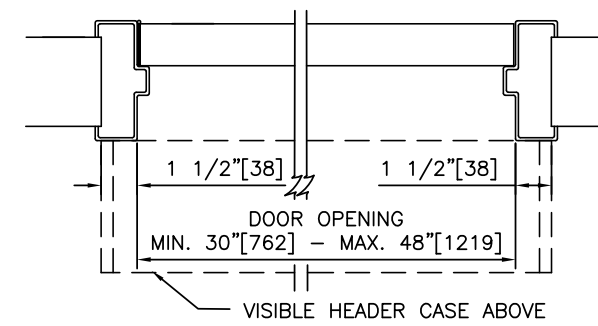
PLAN VIEWS
SCALE: 3/16" = 1'-0"



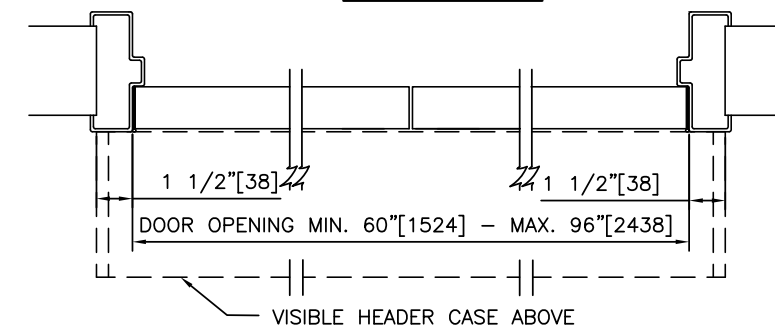
1 VERTICAL SECTIONS
SCALE: 1 1/2" = 1'-0"



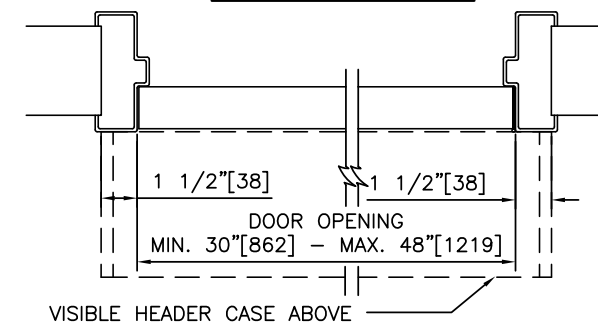
PAIR VISIBLE "OUT"



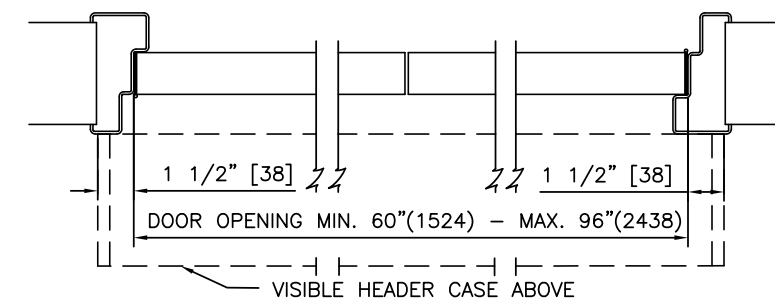
SINGLE VISIBLE LH "OUT"



PAIR VISIBLE "IN"



SINGLE VISIBLE LH "IN"



DOUBLE EGRESS

2 HORIZONTAL SECTIONS
SCALE: 1 1/2" = 1'-0"

NOTES

- ELECTRICAL REQUIREMENTS: BY ELECTRICAL CONTRACTOR
 - 120 VAC, 5 AMP MIN TO OPERATOR.
 - CONTROL CIRCUIT FROM ACTIVATION TO OPERATOR.
- DOORS, FRAMES, AND HARDWARE BY OTHERS.
- DOORS MUST BE UN-LATCHED FOR PROPER OPERATION. PROVIDE TIME DELAY RELAY WHEN REQUIRED FOR PROPER OPERATION.
- LIMITS OF ACTIVATION AND SAFETY ZONES ARE PROVIDED FOR REFERENCE ONLY; SEE ANSI/BHMA A156.10 FOR SPECIFIC REQUIREMENTS.
- OPERATOR AND INSTALLATION TO COMPLY WITH ANSI/BHMA A156.10.
- SEE SPECIFICATIONS FOR ADDITIONAL INFORMATION.

FULL ENERGY OPERATOR ON H.M./WOOD DOOR & FRAME

M-FORCE™
(NEXT GENERATION MAGIC-FORCE™)
WITH
SWING-GUARD®

STANLEY
Access Technologies

M-FORCE™
(NEXT GENERATION MAGIC-FORCE™)
WITH
SWING-GUARD®

FULL ENERGY OPERATOR, HMW FRAME, VISIBLE, RIGHT HAND IN

PROJECT INFORMATION

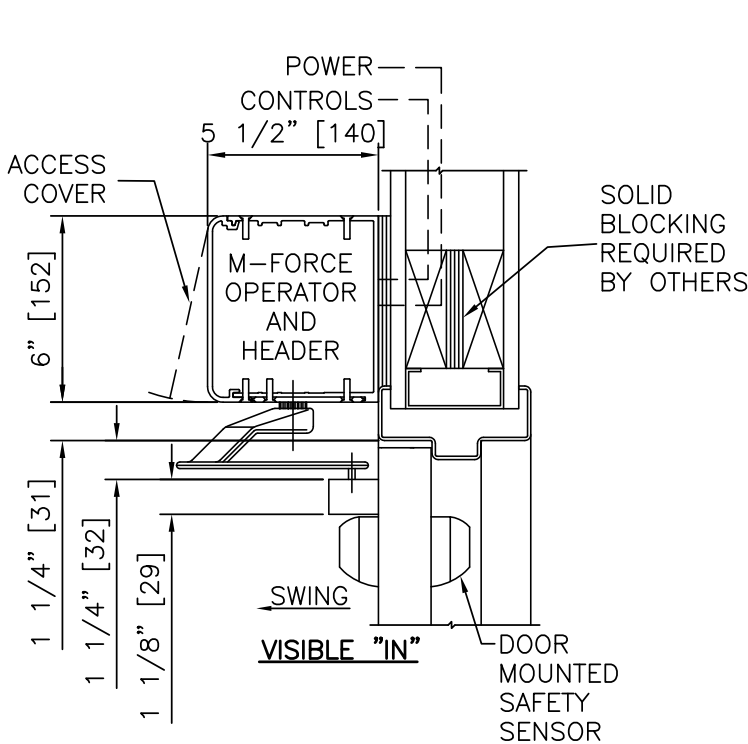
PROJECT NAME:

LOCATION:

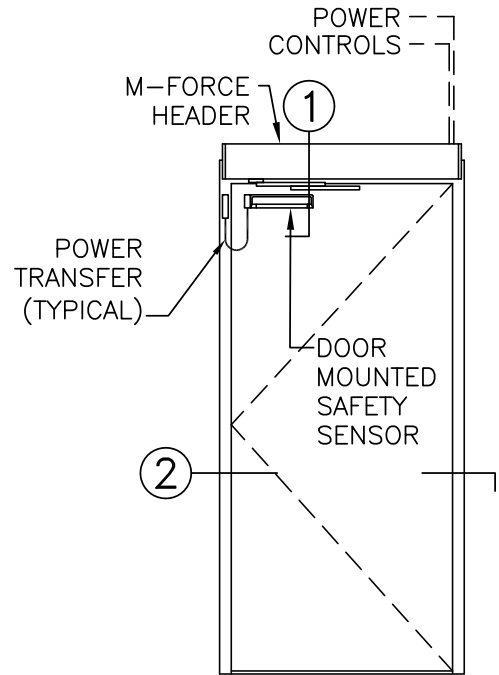
DOOR NUMBER(S):

DATE:

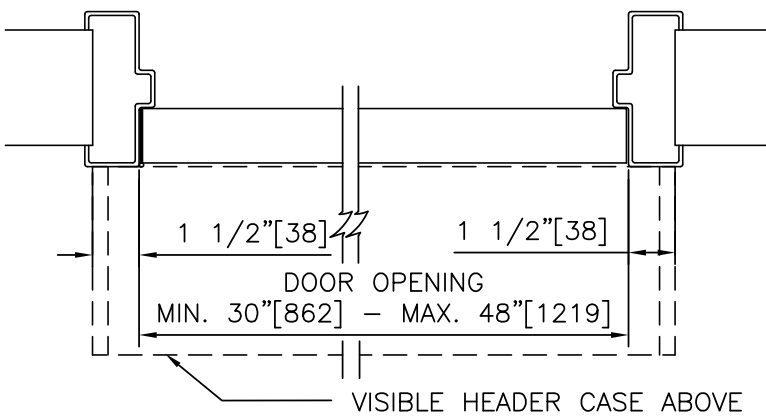
SHEET: OF



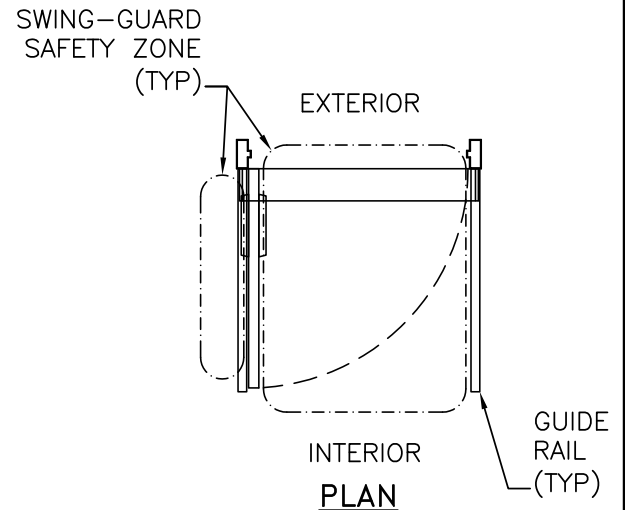
① VERTICAL SECTION



ELEVATION



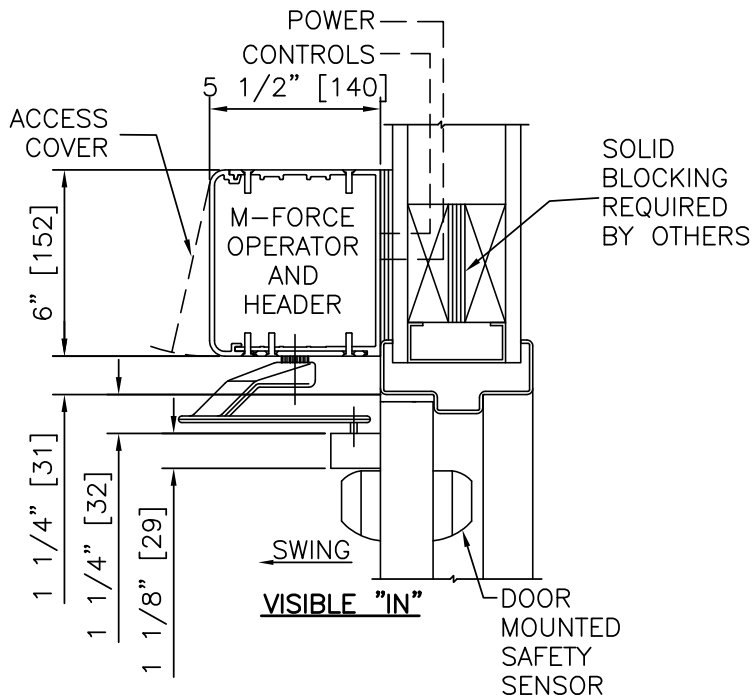
② HORIZONTAL SECTION



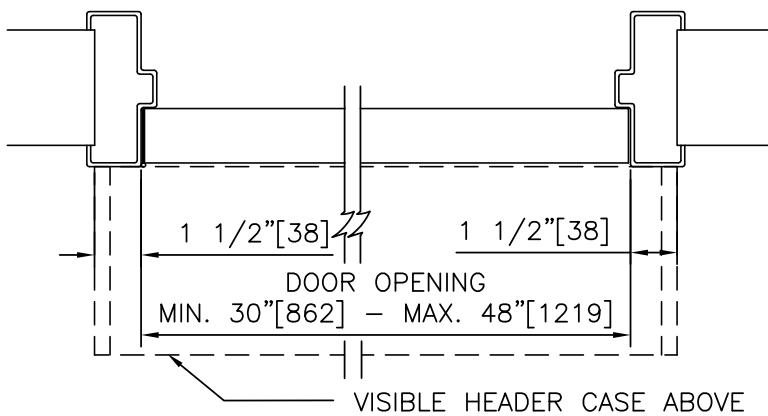
INTERIOR PLAN

NOTES:

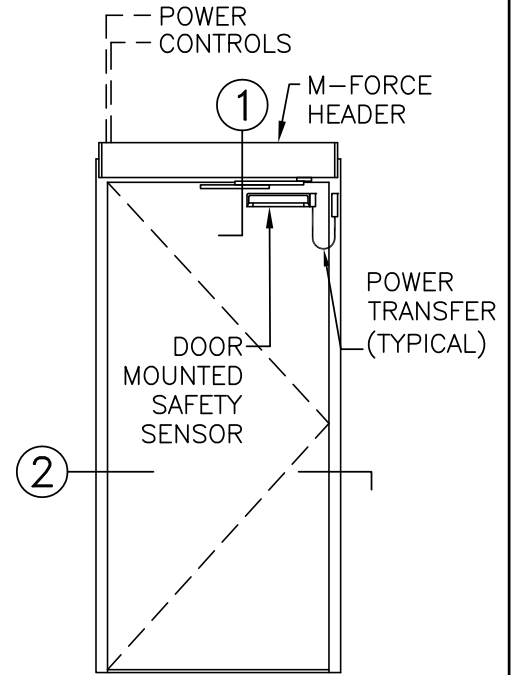
1. DETAILS NOT TO SCALE.
2. ELECTRICAL REQUIREMENTS: BY ELECTRICAL CONTRACTOR
 - 2.1. 120 VAC, 5 AMP MIN TO OPERATOR.
 - 2.2. CONTROL CIRCUIT FROM ACTIVATION TO OPERATOR.
3. DOORS, FRAMES, AND HARDWARE BY OTHERS.
4. DOORS MUST BE UN-LATCHED FOR PROPER OPERATION. PROVIDE TIME DELAY RELAY WHEN REQUIRED FOR PROPER OPERATION.
5. LIMITS OF ACTIVATION AND SAFETY ZONES ARE PROVIDED FOR REFERENCE ONLY; SEE ANSI/BHMA A156.10 FOR SPECIFIC REQUIREMENTS.
6. OPERATOR AND INSTALLATION TO COMPLY WITH ANSI/BHMA A156.10.
7. SEE SPECIFICATIONS FOR ADDITIONAL INFORMATION.



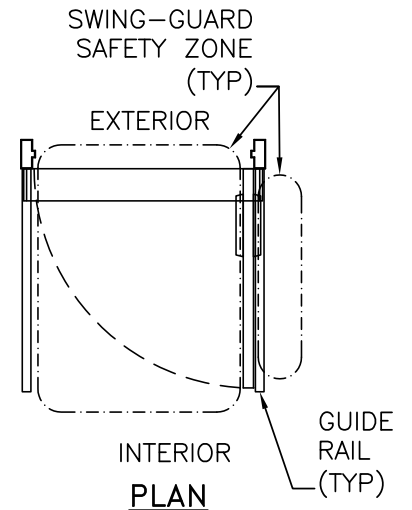
① VERTICAL SECTION



② HORIZONTAL SECTION



ELEVATION



PLAN

NOTES:

1. DETAILS NOT TO SCALE.
2. ELECTRICAL REQUIREMENTS: BY ELECTRICAL CONTRACTOR
 - 2.1. 120 VAC, 5 AMP MIN TO OPERATOR.
 - 2.2. CONTROL CIRCUIT FROM ACTIVATION TO OPERATOR.
3. DOORS, FRAMES, AND HARDWARE BY OTHERS.
4. DOORS MUST BE UN-LATCHED FOR PROPER OPERATION. PROVIDE TIME DELAY RELAY WHEN REQUIRED FOR PROPER OPERATION.
5. LIMITS OF ACTIVATION AND SAFETY ZONES ARE PROVIDED FOR REFERENCE ONLY; SEE ANSI/BHMA A156.10 FOR SPECIFIC REQUIREMENTS.
6. OPERATOR AND INSTALLATION TO COMPLY WITH ANSI/BHMA A156.10.
7. SEE SPECIFICATIONS FOR ADDITIONAL INFORMATION.

M-FORCE™
(NEXT GENERATION MAGIC-FORCE™)
WITH
SWING-GUARD®

FULL ENERGY OPERATOR, HMW FRAME, VISIBLE, RIGHT HAND OUT

PROJECT INFORMATION

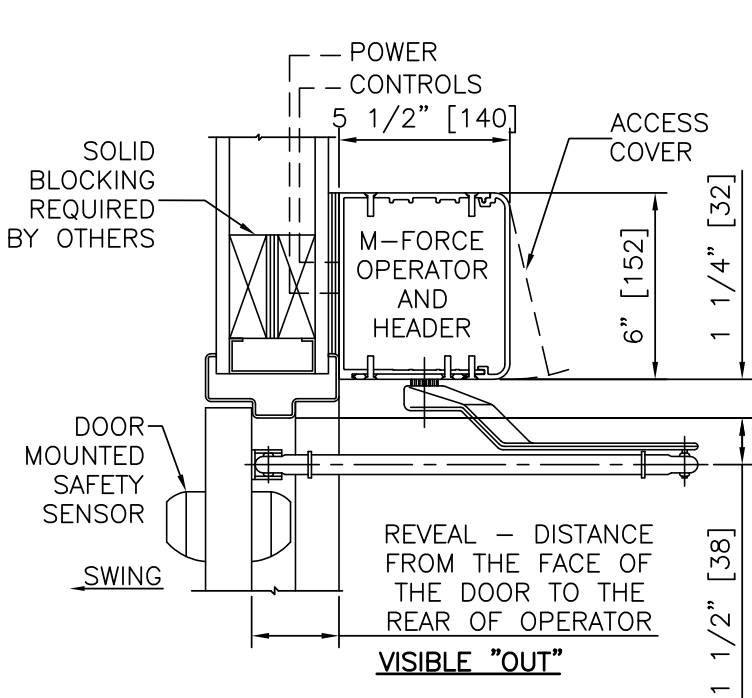
PROJECT NAME:

LOCATION:

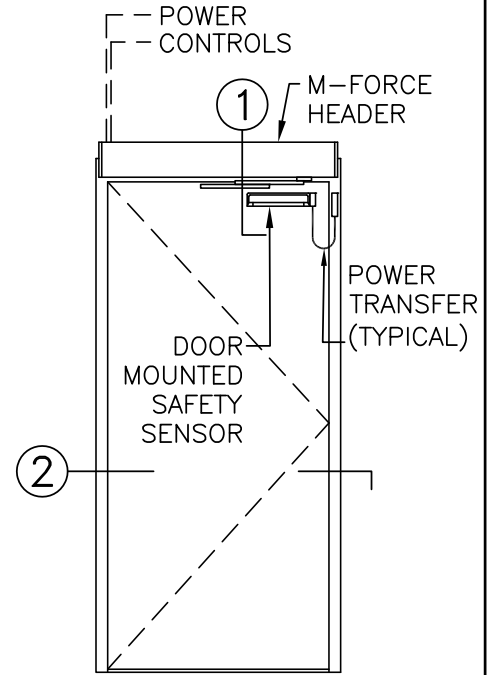
DOOR NUMBER(S):

DATE:

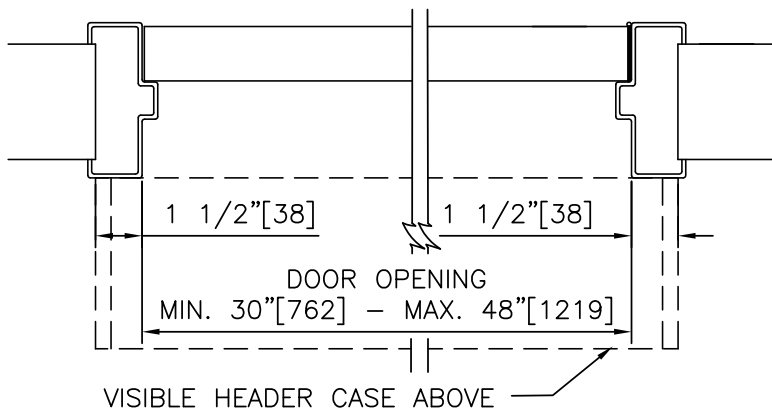
SHEET: OF



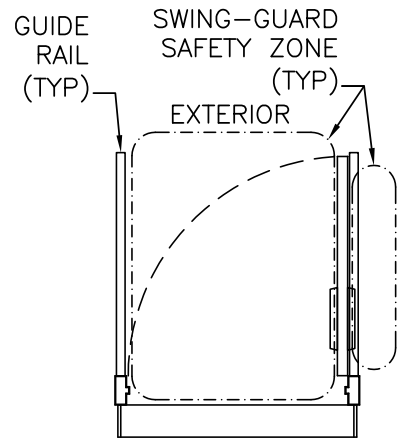
① VERTICAL SECTION



ELEVATION



② HORIZONTAL SECTION



INTERIOR PLAN

NOTES:

1. DETAILS NOT TO SCALE.
2. ELECTRICAL REQUIREMENTS: BY ELECTRICAL CONTRACTOR
 - 2.1. 120 VAC, 5 AMP MIN TO OPERATOR.
 - 2.2. CONTROL CIRCUIT FROM ACTIVATION TO OPERATOR.
3. DOORS, FRAMES, AND HARDWARE BY OTHERS.
4. DOORS MUST BE UN-LATCHED FOR PROPER OPERATION. PROVIDE TIME DELAY RELAY WHEN REQUIRED FOR PROPER OPERATION.
5. LIMITS OF ACTIVATION AND SAFETY ZONES ARE PROVIDED FOR REFERENCE ONLY; SEE ANSI/BHMA A156.10 FOR SPECIFIC REQUIREMENTS.
6. OPERATOR AND INSTALLATION TO COMPLY WITH ANSI/BHMA A156.10.
7. SEE SPECIFICATIONS FOR ADDITIONAL INFORMATION.

M-FORCE™
(NEXT GENERATION MAGIC-FORCE™)
WITH
SWING-GUARD®

FULL ENERGY OPERATOR, HMW FRAME, VISIBLE, LEFT HAND OUT

PROJECT INFORMATION

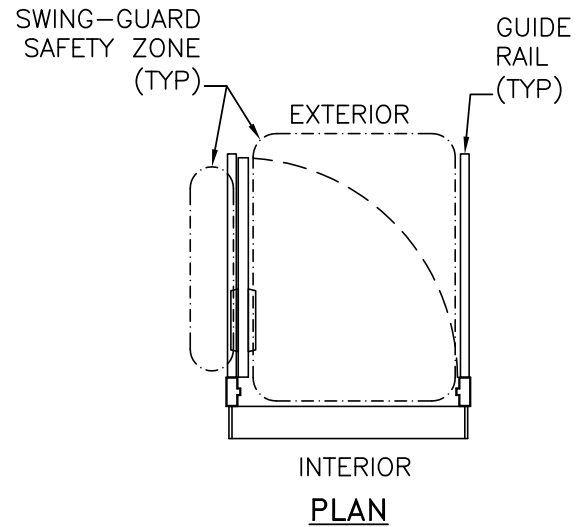
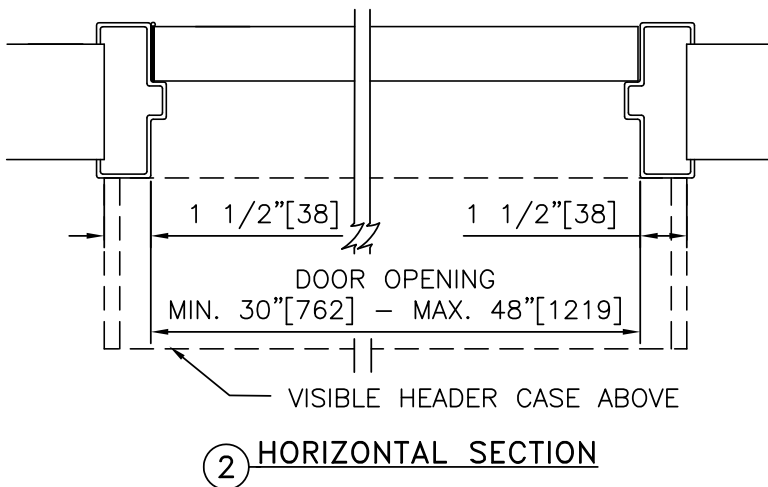
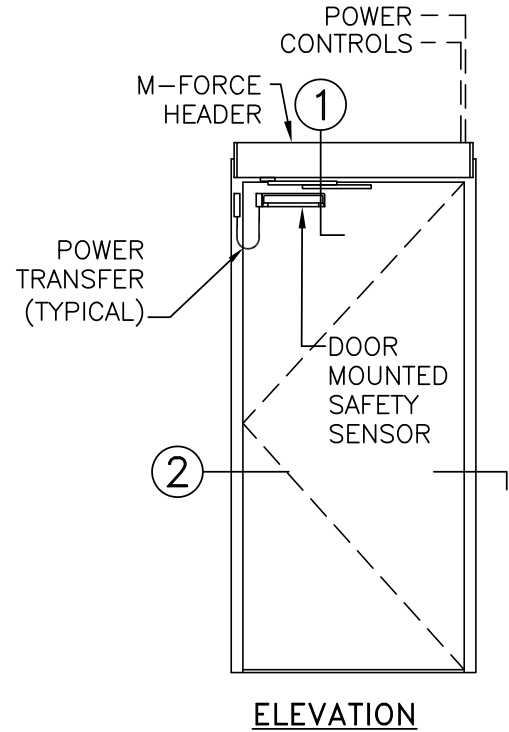
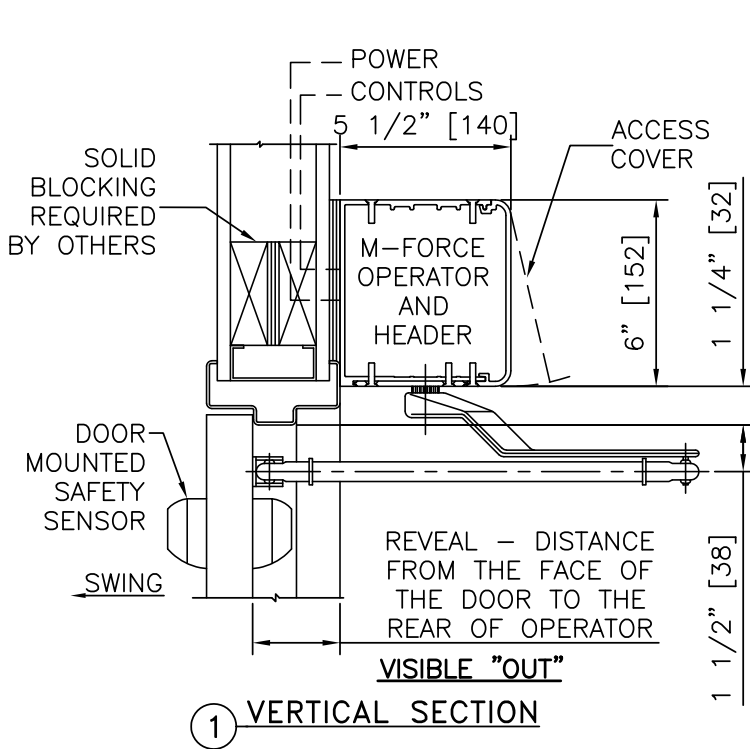
PROJECT NAME:

LOCATION:

DOOR NUMBER(S):

DATE:

SHEET: OF



NOTES:

1. DETAILS NOT TO SCALE.
2. ELECTRICAL REQUIREMENTS: BY ELECTRICAL CONTRACTOR
 - 2.1. 120 VAC, 5 AMP MIN TO OPERATOR.
 - 2.2. CONTROL CIRCUIT FROM ACTIVATION TO OPERATOR.
3. DOORS, FRAMES, AND HARDWARE BY OTHERS.
4. DOORS MUST BE UN-LATCHED FOR PROPER OPERATION. PROVIDE TIME DELAY RELAY WHEN REQUIRED FOR PROPER OPERATION.
5. LIMITS OF ACTIVATION AND SAFETY ZONES ARE PROVIDED FOR REFERENCE ONLY; SEE ANSI/BHMA A156.10 FOR SPECIFIC REQUIREMENTS.
6. OPERATOR AND INSTALLATION TO COMPLY WITH ANSI/BHMA A156.10.
7. SEE SPECIFICATIONS FOR ADDITIONAL INFORMATION.

M-FORCE™
(NEXT GENERATION MAGIC-FORCE™)
WITH
SWING-GUARD®

FULL ENERGY OPERATOR, HMW FRAME, VISIBLE, PAIR IN

PROJECT INFORMATION

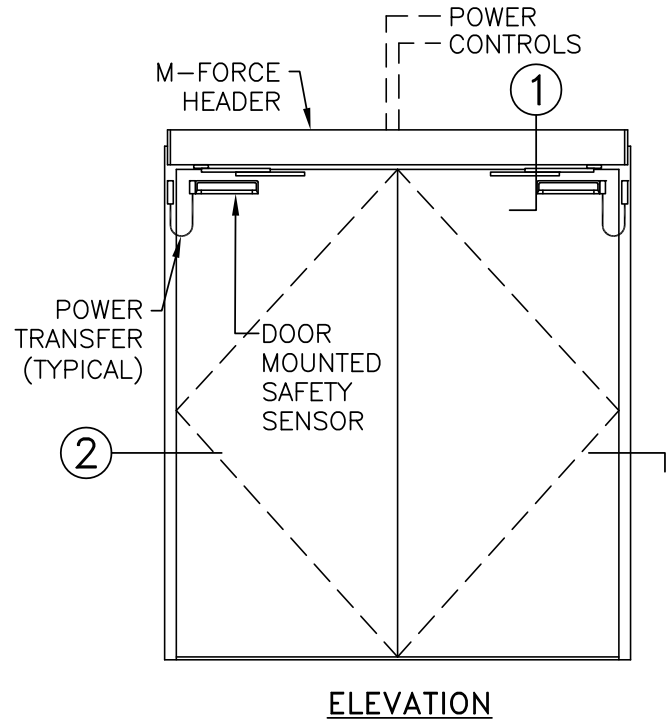
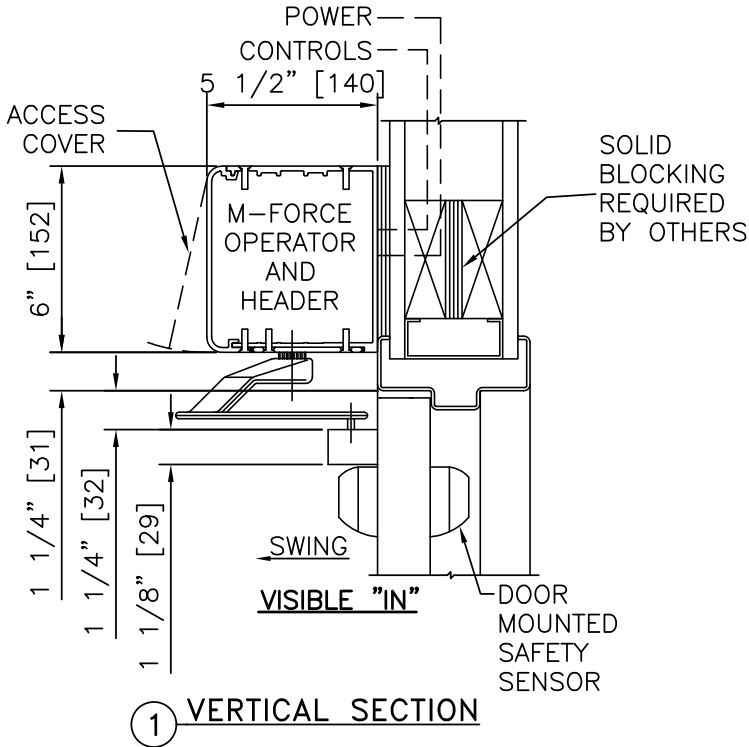
PROJECT NAME:

LOCATION:

DOOR NUMBER(S):

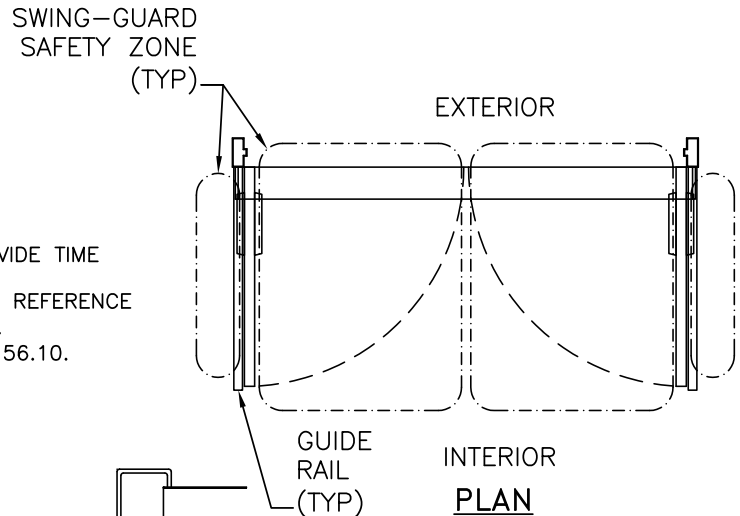
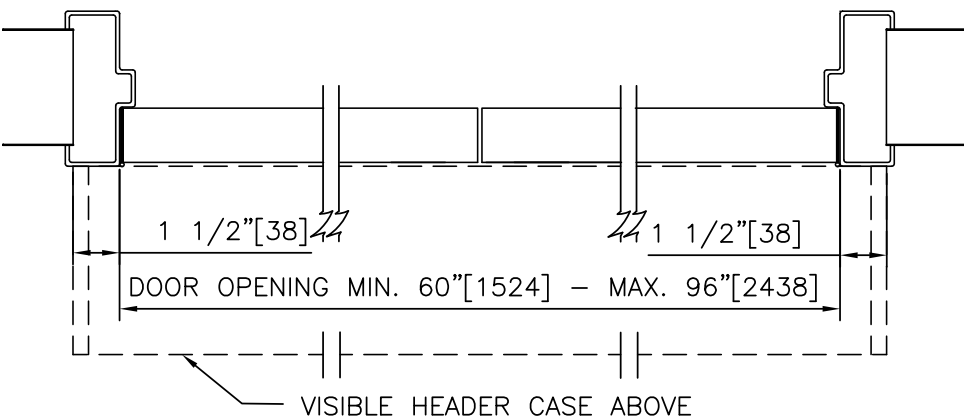
DATE:

SHEET: OF



NOTES:

1. DETAILS NOT TO SCALE.
2. ELECTRICAL REQUIREMENTS: BY ELECTRICAL CONTRACTOR
 - 2.1. 120 VAC, 5 AMP MIN TO OPERATOR.
 - 2.2. CONTROL CIRCUIT FROM ACTIVATION TO OPERATOR.
3. DOORS, FRAMES, AND HARDWARE BY OTHERS.
4. DOORS MUST BE UN-LATCHED FOR PROPER OPERATION. PROVIDE TIME DELAY RELAY WHEN REQUIRED FOR PROPER OPERATION.
5. LIMITS OF ACTIVATION AND SAFETY ZONES ARE PROVIDED FOR REFERENCE ONLY; SEE ANSI/BHMA A156.10 FOR SPECIFIC REQUIREMENTS.
6. OPERATOR AND INSTALLATION TO COMPLY WITH ANSI/BHMA A156.10.
7. SEE SPECIFICATIONS FOR ADDITIONAL INFORMATION.



M-FORCE™
(NEXT GENERATION MAGIC-FORCE™)
WITH
SWING-GUARD®

FULL ENERGY OPERATOR, HMW FRAME, VISIBLE, PAIR OUT

PROJECT INFORMATION

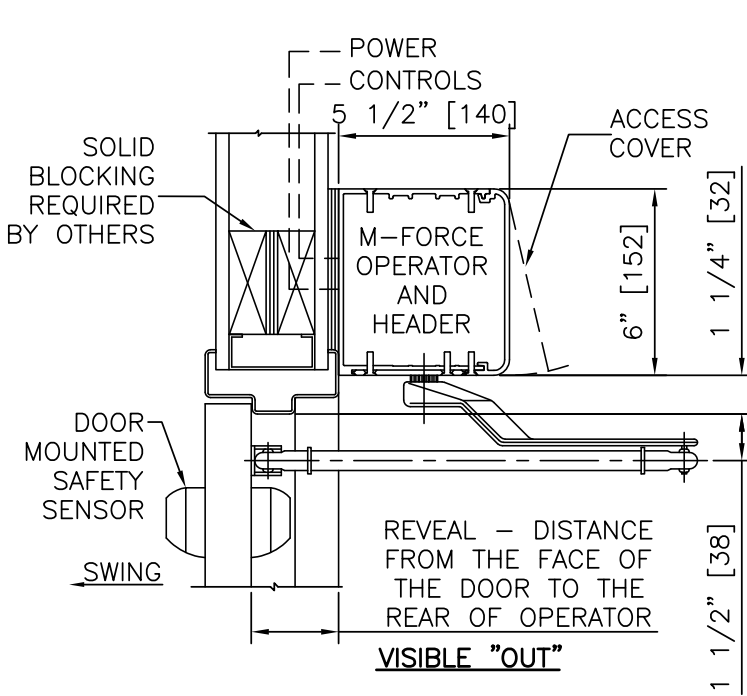
PROJECT NAME:

LOCATION:

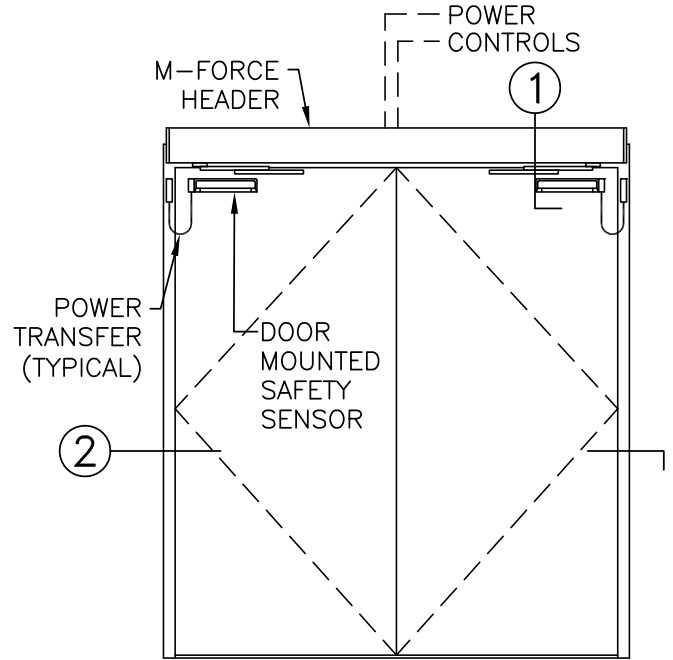
DOOR NUMBER(S):

DATE:

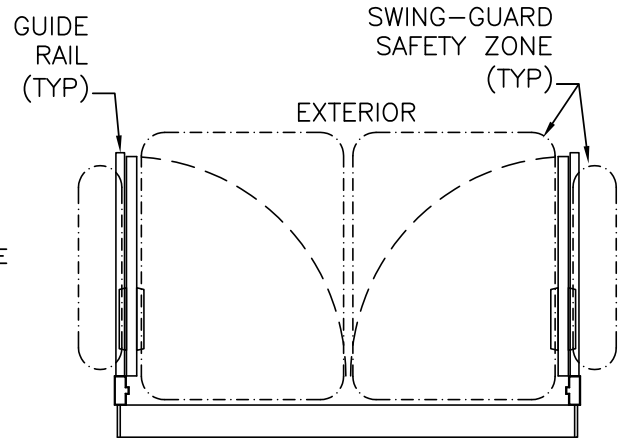
SHEET: OF



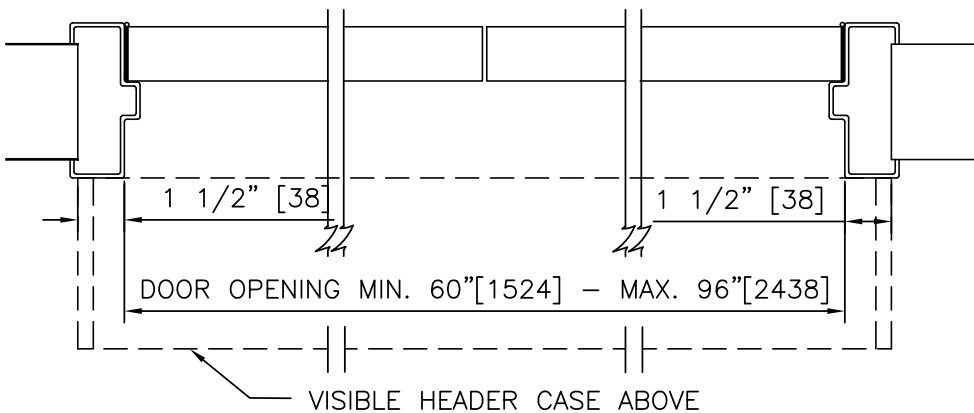
① VERTICAL SECTION



ELEVATION



INTERIOR PLAN



② HORIZONTAL SECTION

NOTES:

1. DETAILS NOT TO SCALE.
2. ELECTRICAL REQUIREMENTS: BY ELECTRICAL CONTRACTOR
 - 2.1. 120 VAC, 5 AMP MIN TO OPERATOR.
 - 2.2. CONTROL CIRCUIT FROM ACTIVATION TO OPERATOR.
3. DOORS, FRAMES, AND HARDWARE BY OTHERS.
4. DOORS MUST BE UN-LATCHED FOR PROPER OPERATION. PROVIDE TIME DELAY RELAY WHEN REQUIRED FOR PROPER OPERATION.
5. LIMITS OF ACTIVATION AND SAFETY ZONES ARE PROVIDED FOR REFERENCE ONLY; SEE ANSI/BHMA A156.10 FOR SPECIFIC REQUIREMENTS.
6. OPERATOR AND INSTALLATION TO COMPLY WITH ANSI/BHMA A156.10.
7. SEE SPECIFICATIONS FOR ADDITIONAL INFORMATION.

M-FORCE™
(NEXT GENERATION MAGIC-FORCE™)
WITH
SWING-GUARD®

FULL ENERGY OPERATOR, HMW FRAME, VISIBLE, PAIR DE, RH

PROJECT INFORMATION

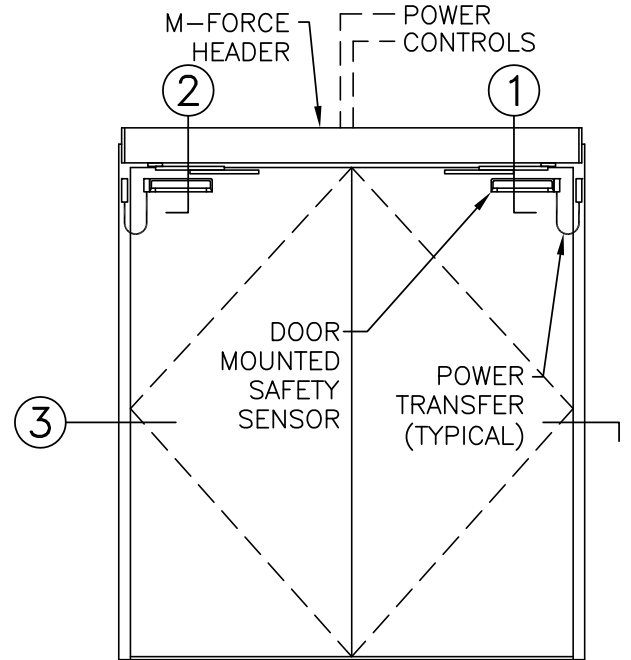
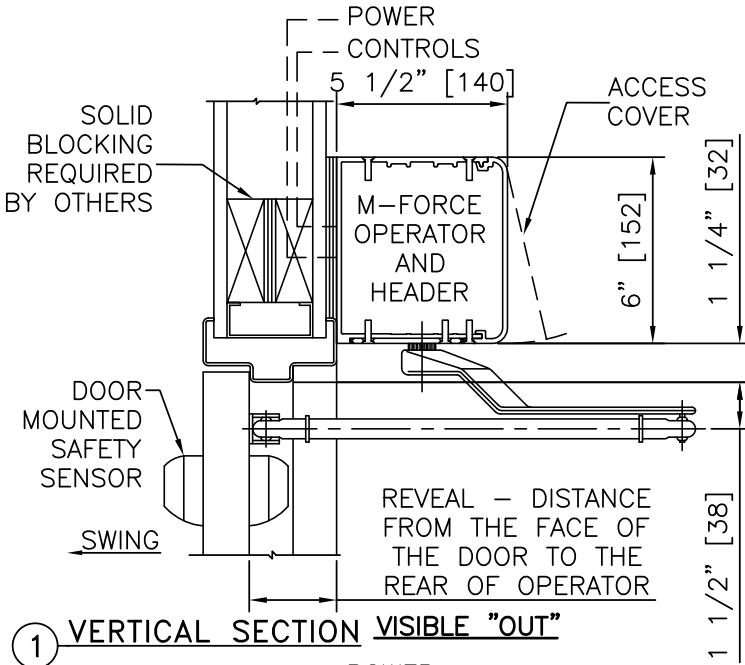
PROJECT NAME:

LOCATION:

DOOR NUMBER(S):

DATE:

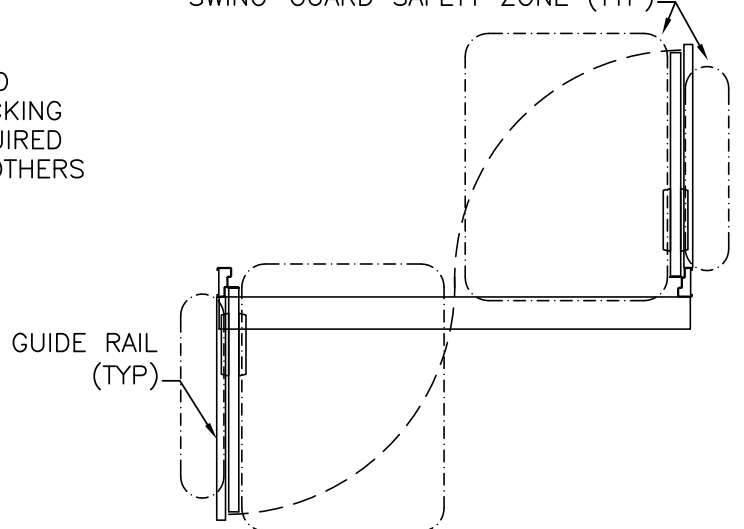
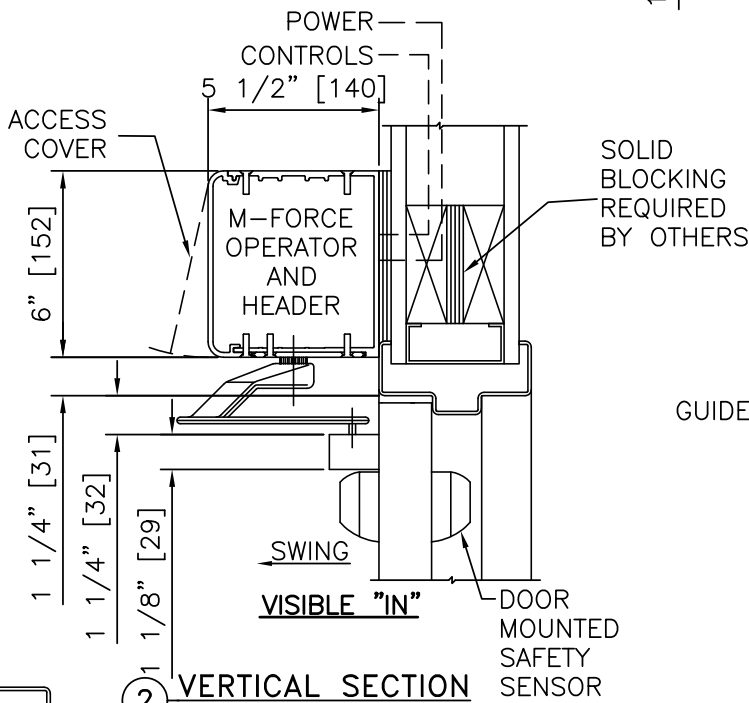
SHEET: OF



1 VERTICAL SECTION VISIBLE "OUT"

ELEVATION

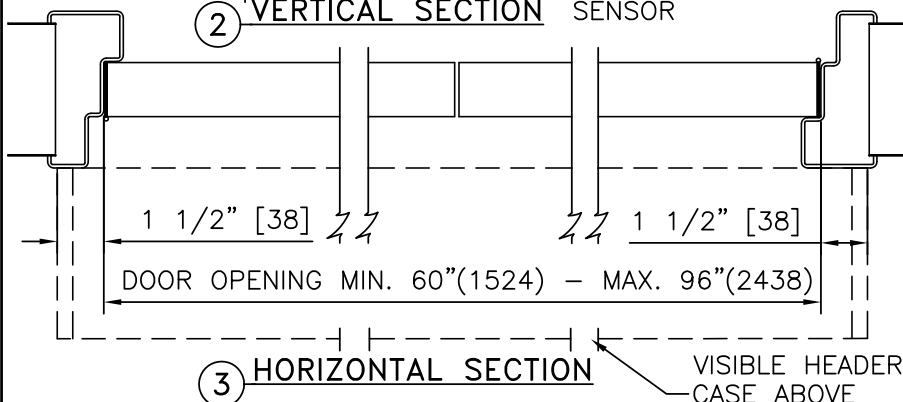
SWING-GUARD SAFETY ZONE (TYP)



PLAN

NOTES:

1. DETAILS NOT TO SCALE.
2. ELECTRICAL REQUIREMENTS: BY ELECTRICAL CONTRACTOR
 - 2.1. 120 VAC, 5 AMP MIN TO OPERATOR.
 - 2.2. CONTROL CIRCUIT FROM ACTIVATION TO OPERATOR.
3. DOORS, FRAMES, AND HARDWARE BY OTHERS.
4. DOORS MUST BE UN-LATCHED FOR PROPER OPERATION. PROVIDE TIME DELAY RELAY WHEN REQUIRED FOR PROPER OPERATION.
5. LIMITS OF ACTIVATION AND SAFETY ZONES ARE PROVIDED FOR REFERENCE ONLY; SEE ANSI/BHMA A156.10 FOR SPECIFIC REQUIREMENTS.
6. OPERATOR AND INSTALLATION TO COMPLY WITH ANSI/BHMA A156.10.
7. SEE SPECIFICATIONS FOR ADDITIONAL INFORMATION.



3 HORIZONTAL SECTION

M-FORCE™
(NEXT GENERATION MAGIC-FORCE™)
WITH
SWING-GUARD®

FULL ENERGY OPERATOR, HMW FRAME, VISIBLE, PAIR DE, LH

PROJECT INFORMATION

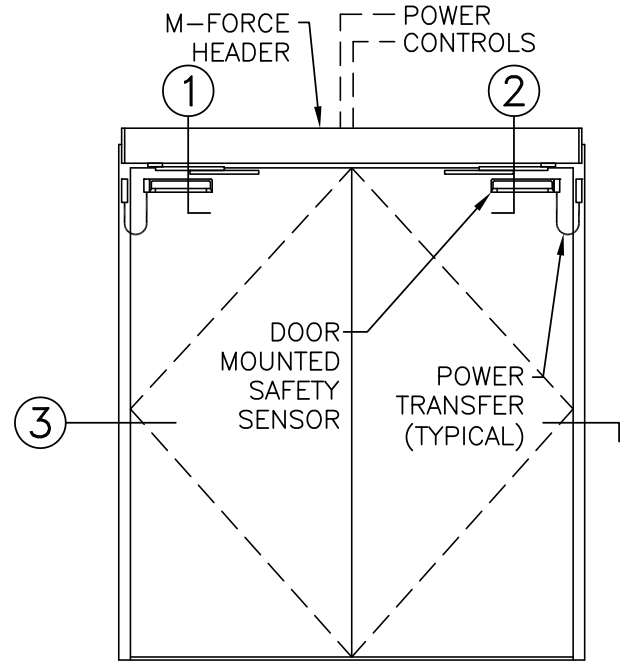
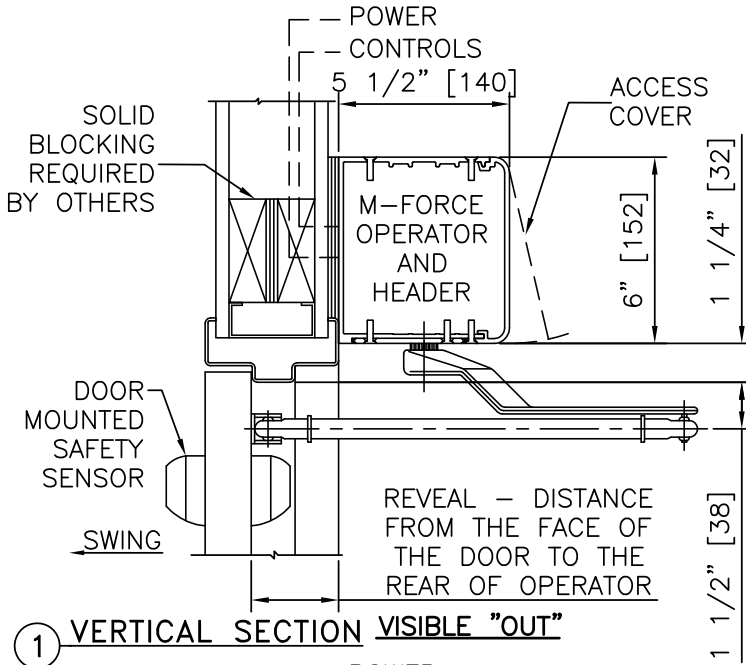
PROJECT NAME:

LOCATION:

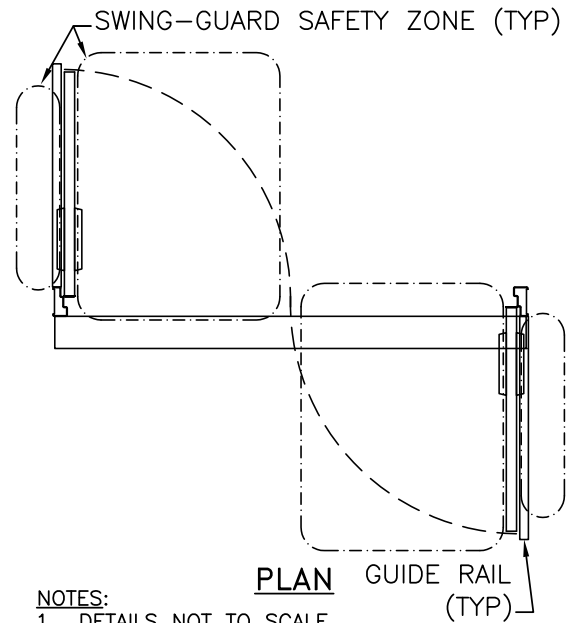
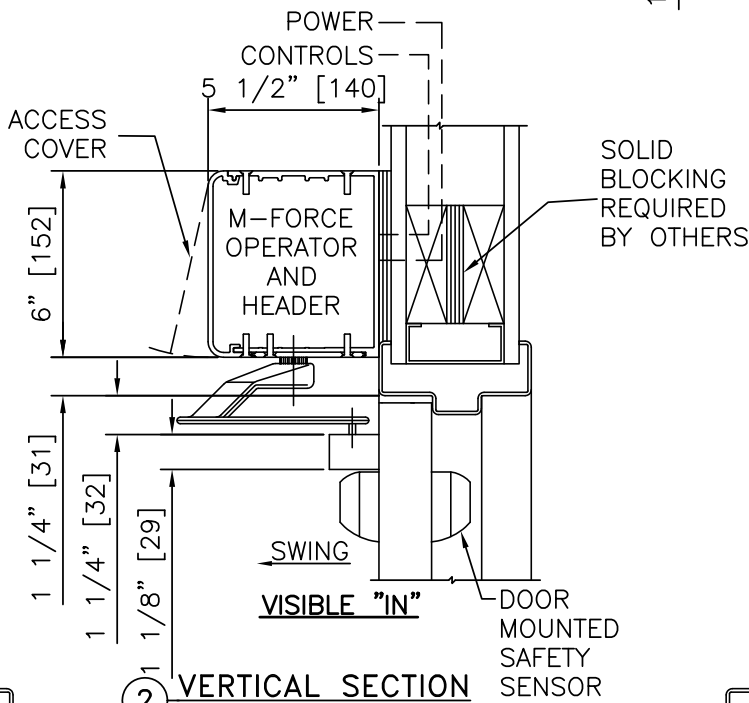
DOOR NUMBER(S):

DATE:

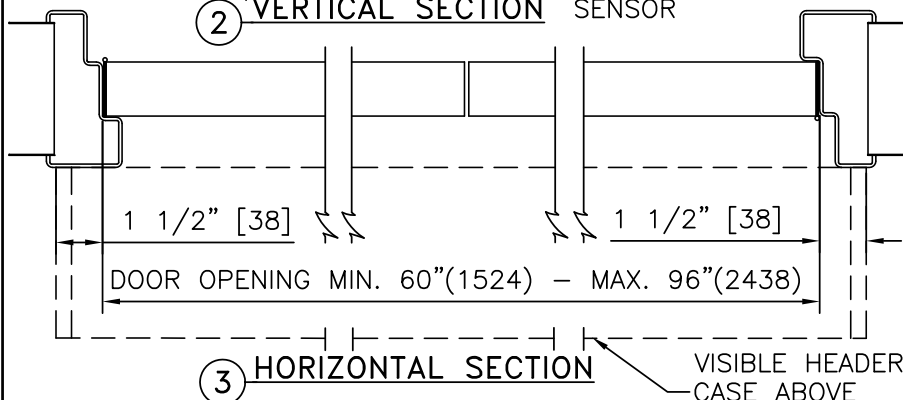
SHEET: OF



ELEVATION



PLAN



HORIZONTAL SECTION

NOTES:

1. DETAILS NOT TO SCALE.
2. ELECTRICAL REQUIREMENTS: BY ELECTRICAL CONTRACTOR
 - 2.1. 120 VAC, 5 AMP MIN TO OPERATOR.
 - 2.2. CONTROL CIRCUIT FROM ACTIVATION TO OPERATOR.
3. DOORS, FRAMES, AND HARDWARE BY OTHERS.
4. DOORS MUST BE UN-LATCHED FOR PROPER OPERATION. PROVIDE TIME DELAY RELAY WHEN REQUIRED FOR PROPER OPERATION.
5. LIMITS OF ACTIVATION AND SAFETY ZONES ARE PROVIDED FOR REFERENCE ONLY; SEE ANSI/BHMA A156.10 FOR SPECIFIC REQUIREMENTS.
6. OPERATOR AND INSTALLATION TO COMPLY WITH ANSI/BHMA A156.10.
7. SEE SPECIFICATIONS FOR ADDITIONAL INFORMATION.