

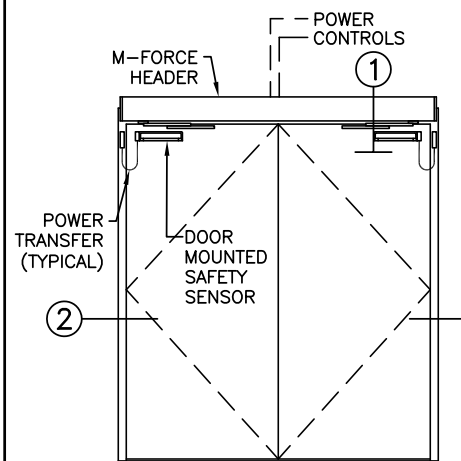
STANLEY
Access Technologies

M-FORCE™
(NEXT GENERATION MAGIC-FORCE™)
WITH
SWING-GUARD® LE

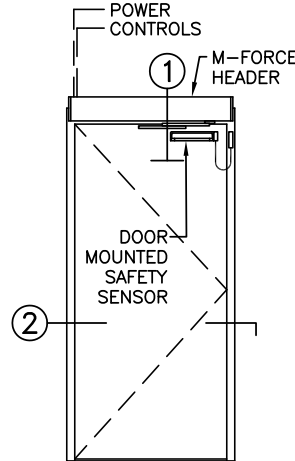
LOW ENERGY OPERATOR ON H.M./WOOD DOOR & FRAME

PROJECT INFORMATION

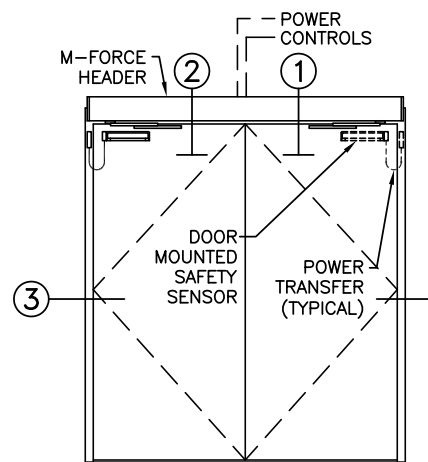
| | |
|-----------------|----|
| PROJECT NAME: | |
| LOCATION: | |
| DOOR NUMBER(S): | |
| DATE: | |
| SHEET: | OF |



PAIR VISIBLE

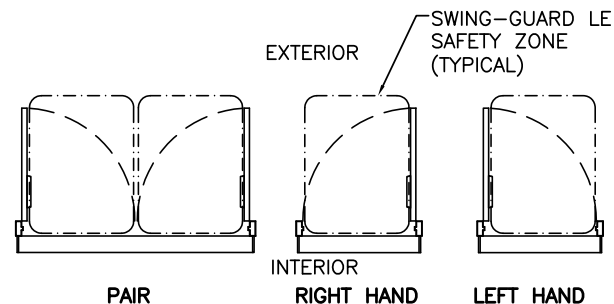


SINGLE VISIBLE



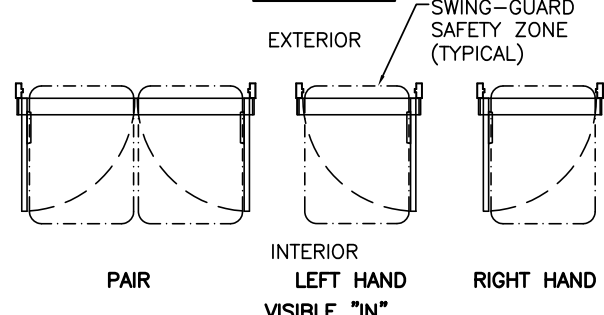
DOUBLE EGRESS

ELEVATIONS
SCALE: 1/4" = 1'-0"



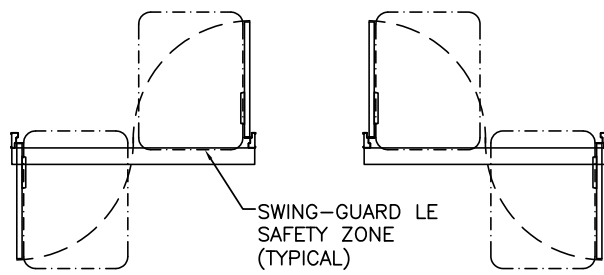
PAIR

VISIBLE "OUT"



PAIR

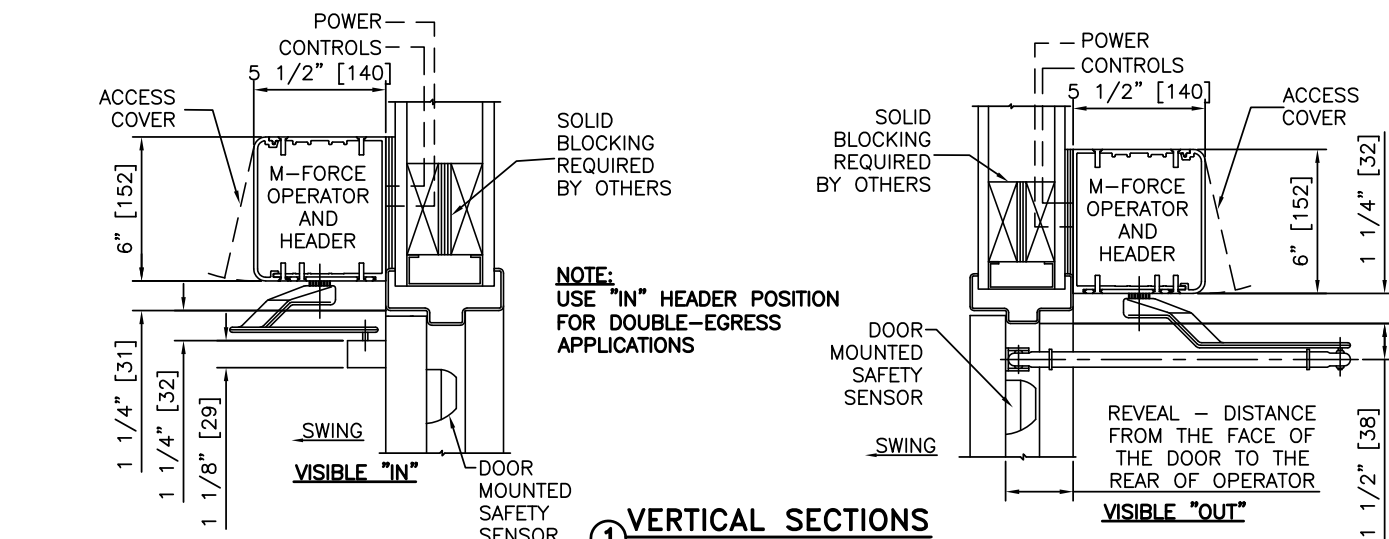
VISIBLE "IN"



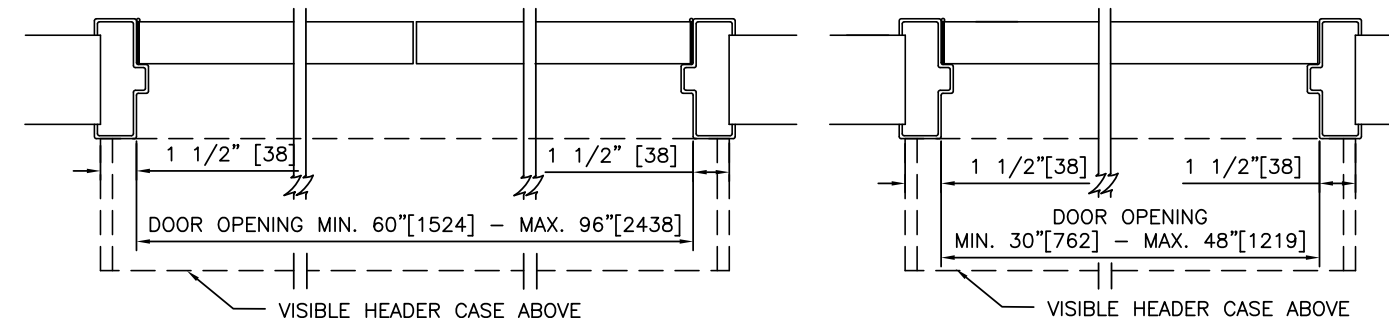
PAIR RH

PAIR LH

PLAN VIEWS
SCALE: 3/16" = 1'-0"

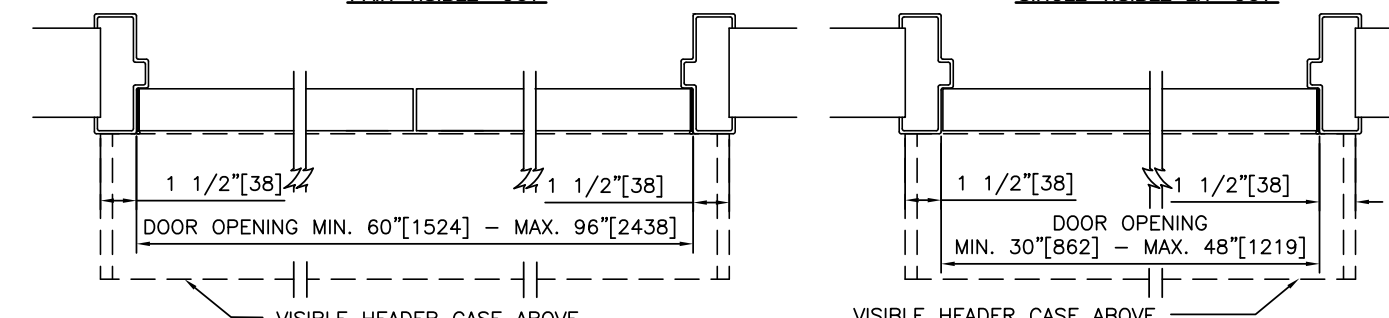


1 VERTICAL SECTIONS
SCALE: 1 1/2" = 1'-0"



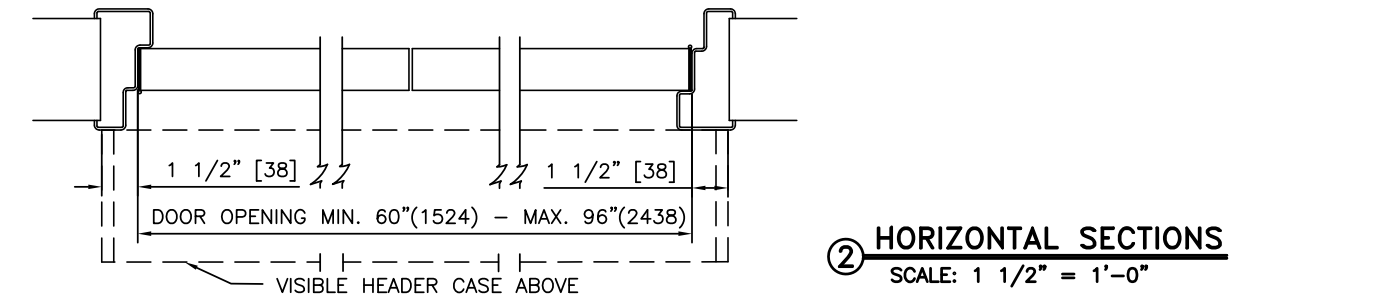
PAIR VISIBLE "OUT"

SINGLE VISIBLE LH "OUT"



PAIR VISIBLE "IN"

SINGLE VISIBLE LH "IN"



DOUBLE EGRESS

2 HORIZONTAL SECTIONS
SCALE: 1 1/2" = 1'-0"

- NOTES**
- ELECTRICAL REQUIREMENTS: BY ELECTRICAL CONTRACTOR
 - 120 VAC, 5 AMP MIN TO OPERATOR.
 - CONTROL CIRCUIT FROM ACTIVATION TO OPERATOR.
 - DOORS, FRAMES, AND HARDWARE BY OTHERS.
 - DOORS MUST BE UN-LATCHED FOR PROPER OPERATION. PROVIDE TIME DELAY RELAY WHEN REQUIRED FOR PROPER OPERATION.
 - LIMITS OF SAFETY ZONES ARE PROVIDED FOR REFERENCE ONLY.
 - OPERATOR AND INSTALLATION TO COMPLY WITH ANSI/BHMA A156.19.
 - SEE SPECIFICATIONS FOR ADDITIONAL INFORMATION.

LOW ENERGY OPERATOR ON H.M./WOOD DOOR & FRAME

M-FORCE™
(NEXT GENERATION MAGIC-FORCE™)
WITH
SWING-GUARD® LE

STANLEY
Access Technologies

M-FORCE™
(NEXT GENERATION MAGIC-FORCE™)
WITH
SWING-GUARD® LE

LOW ENERGY OPERATOR, HMW FRAME, VISIBLE, RIGHT HAND IN

PROJECT INFORMATION

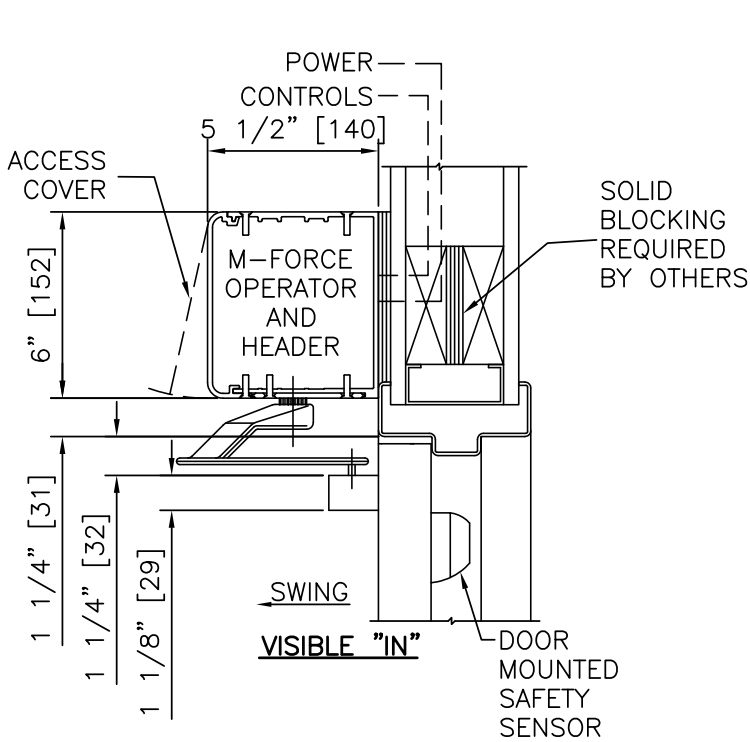
PROJECT NAME:

LOCATION:

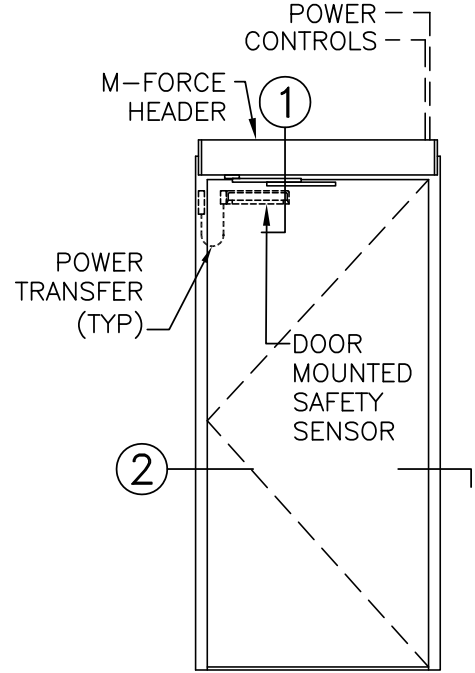
DOOR NUMBER(S):

DATE:

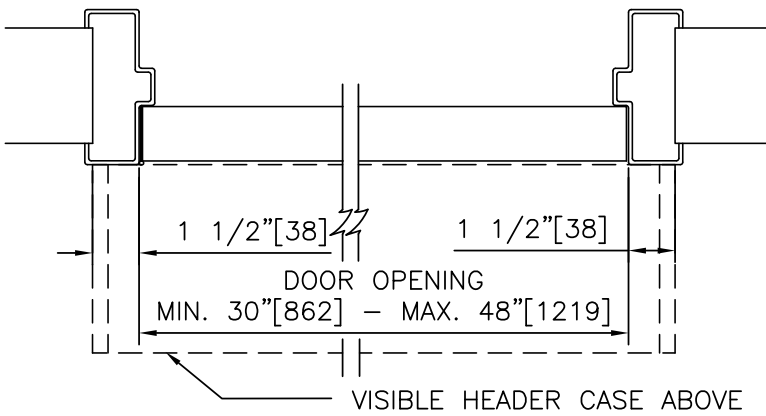
SHEET: OF



① VERTICAL SECTION

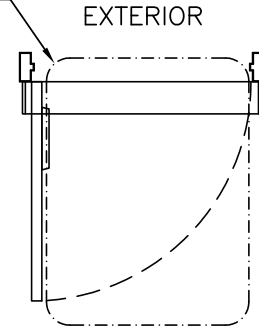


ELEVATION



② HORIZONTAL SECTION

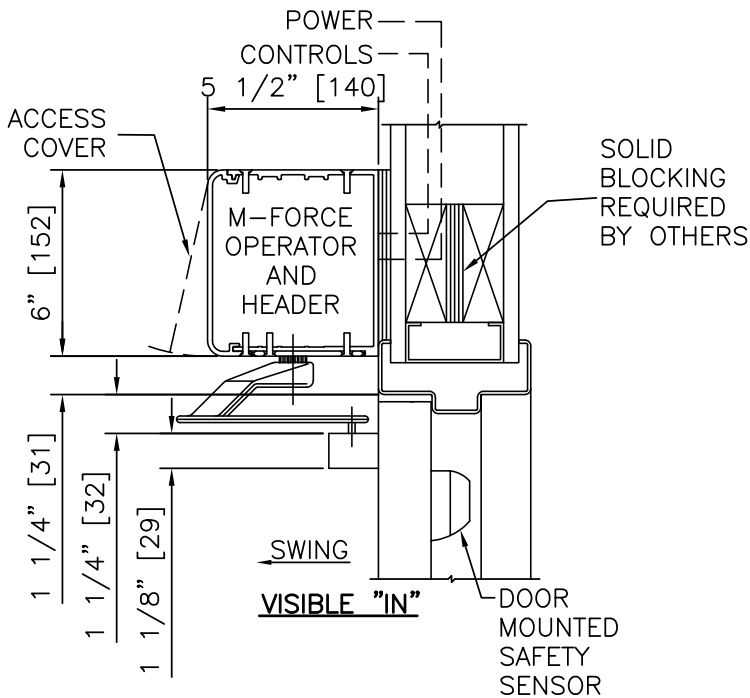
SWING-GUARD LE
SAFETY ZONE
(TYP)



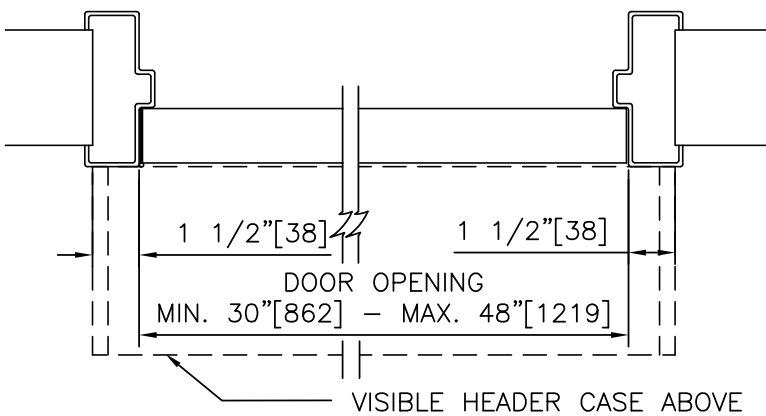
INTERIOR
PLAN

NOTES:

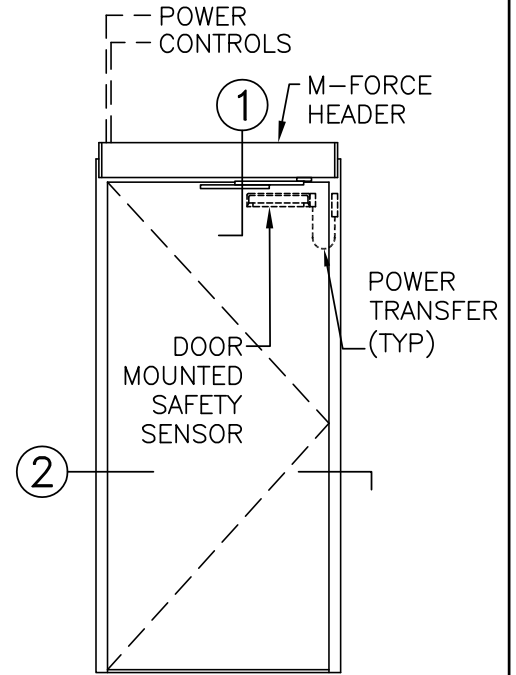
1. DETAILS NOT TO SCALE.
2. ELECTRICAL REQUIREMENTS: BY ELECTRICAL CONTRACTOR
 - 2.1. 120 VAC, 5 AMP MIN TO OPERATOR.
 - 2.2. CONTROL CIRCUIT FROM ACTIVATION TO OPERATOR.
3. DOORS, FRAMES, AND HARDWARE BY OTHERS.
4. DOORS MUST BE UN-LATCHED FOR PROPER OPERATION. PROVIDE TIME DELAY RELAY WHEN REQUIRED FOR PROPER OPERATION.
5. LIMITS OF SAFETY ZONES ARE PROVIDED FOR REFERENCE ONLY.
6. OPERATOR AND INSTALLATION TO COMPLY WITH ANSI/BHMA A156.19.
7. SEE SPECIFICATIONS FOR ADDITIONAL INFORMATION.



① VERTICAL SECTION

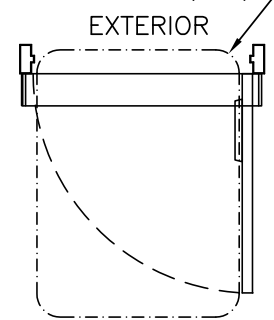


② HORIZONTAL SECTION



ELEVATION

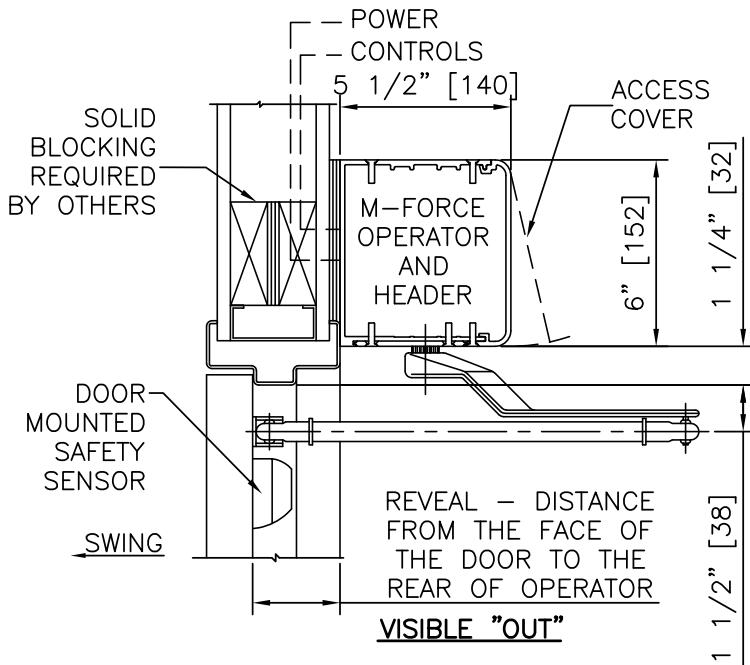
SWING-GUARD LE
SAFETY ZONE
(TYP)



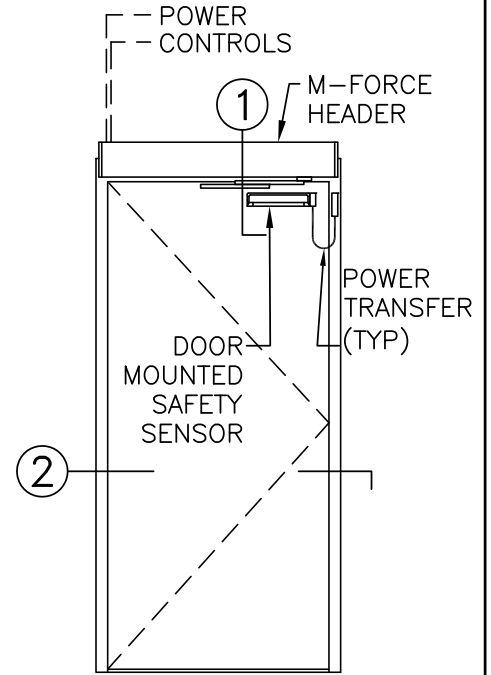
INTERIOR
PLAN

NOTES:

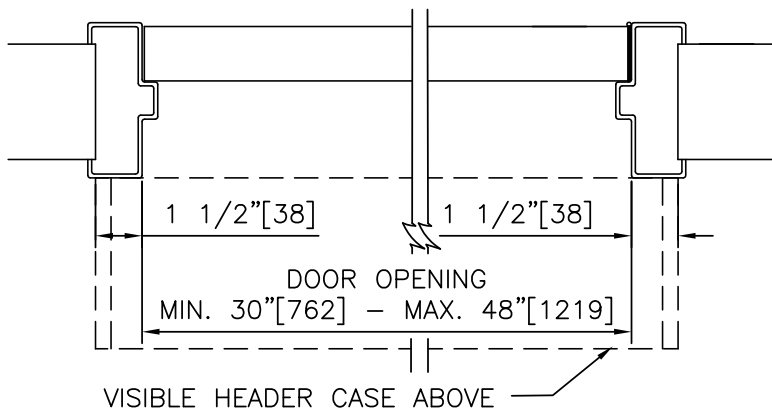
1. DETAILS NOT TO SCALE.
2. ELECTRICAL REQUIREMENTS: BY ELECTRICAL CONTRACTOR
 - 2.1. 120 VAC, 5 AMP MIN TO OPERATOR.
 - 2.2. CONTROL CIRCUIT FROM ACTIVATION TO OPERATOR.
3. DOORS, FRAMES, AND HARDWARE BY OTHERS.
4. DOORS MUST BE UN-LATCHED FOR PROPER OPERATION. PROVIDE TIME DELAY RELAY WHEN REQUIRED FOR PROPER OPERATION.
5. LIMITS OF SAFETY ZONES ARE PROVIDED FOR REFERENCE ONLY.
6. OPERATOR AND INSTALLATION TO COMPLY WITH ANSI/BHMA A156.19.
7. SEE SPECIFICATIONS FOR ADDITIONAL INFORMATION.



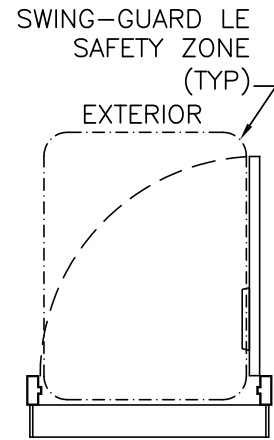
① VERTICAL SECTION



ELEVATION



② HORIZONTAL SECTION



INTERIOR PLAN

NOTES:

1. DETAILS NOT TO SCALE.
2. ELECTRICAL REQUIREMENTS: BY ELECTRICAL CONTRACTOR
 - 2.1. 120 VAC, 5 AMP MIN TO OPERATOR.
 - 2.2. CONTROL CIRCUIT FROM ACTIVATION TO OPERATOR.
3. DOORS, FRAMES, AND HARDWARE BY OTHERS.
4. DOORS MUST BE UN-LATCHED FOR PROPER OPERATION. PROVIDE TIME DELAY RELAY WHEN REQUIRED FOR PROPER OPERATION.
5. LIMITS OF SAFETY ZONES ARE PROVIDED FOR REFERENCE ONLY.
6. OPERATOR AND INSTALLATION TO COMPLY WITH ANSI/BHMA A156.19.
7. SEE SPECIFICATIONS FOR ADDITIONAL INFORMATION.

M-FORCE™
(NEXT GENERATION MAGIC-FORCE™)
WITH
SWING-GUARD® LE

LOW ENERGY OPERATOR, HMW FRAME, VISIBLE, LEFT HAND OUT

PROJECT INFORMATION

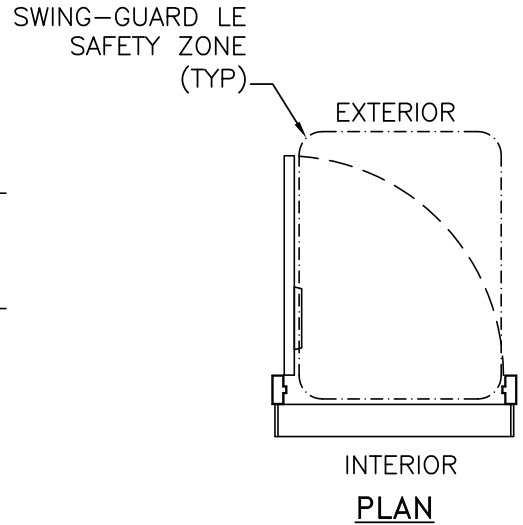
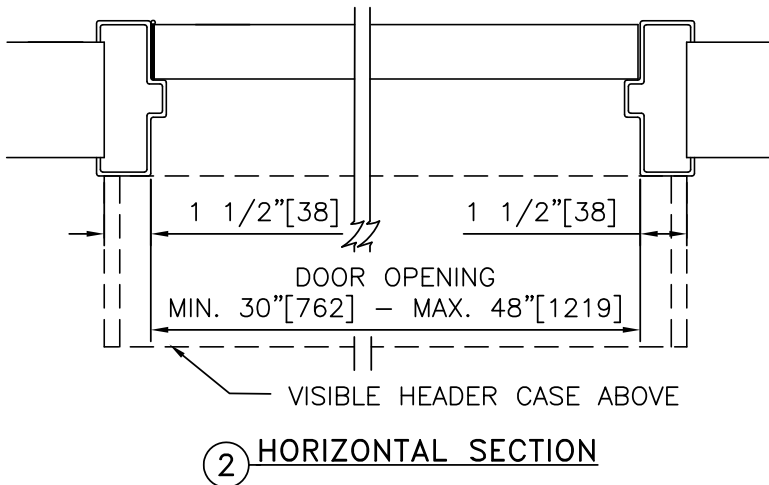
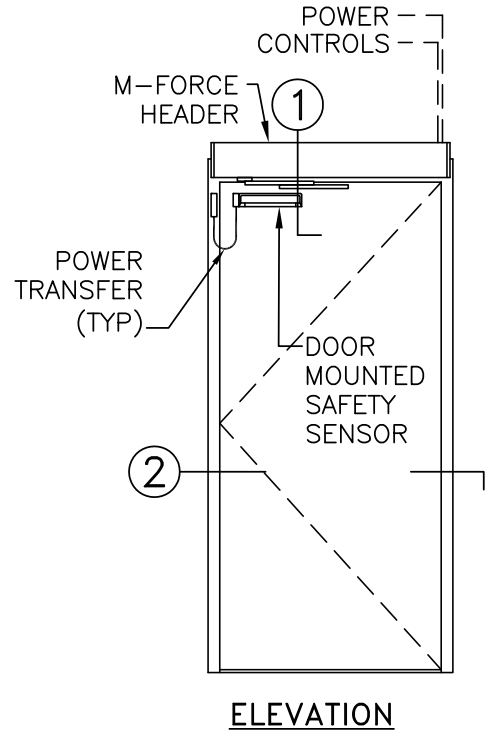
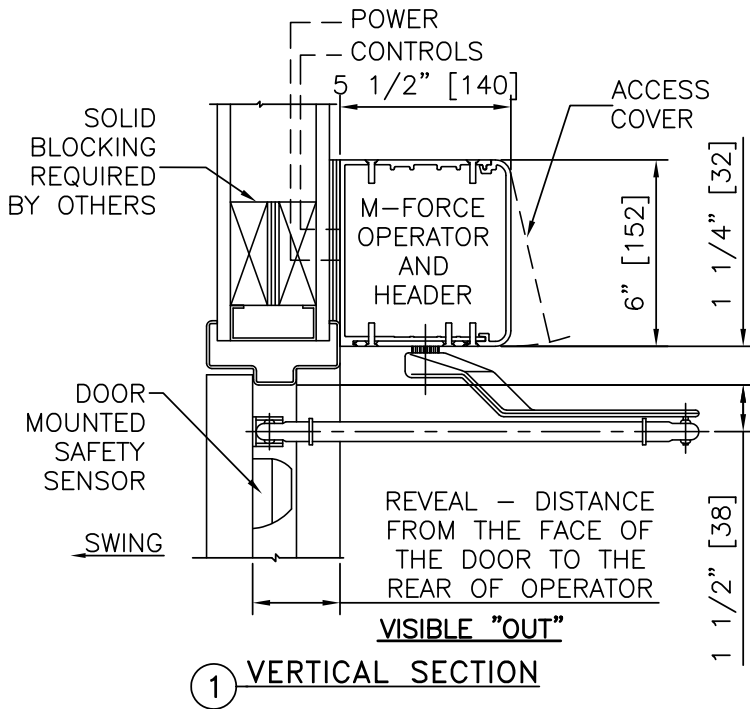
PROJECT NAME:

LOCATION:

DOOR NUMBER(S):

DATE:

SHEET: OF



NOTES:

1. DETAILS NOT TO SCALE.
2. ELECTRICAL REQUIREMENTS: BY ELECTRICAL CONTRACTOR
 - 2.1. 120 VAC, 5 AMP MIN TO OPERATOR.
 - 2.2. CONTROL CIRCUIT FROM ACTIVATION TO OPERATOR.
3. DOORS, FRAMES, AND HARDWARE BY OTHERS.
4. DOORS MUST BE UN-LATCHED FOR PROPER OPERATION. PROVIDE TIME DELAY RELAY WHEN REQUIRED FOR PROPER OPERATION.
5. LIMITS OF SAFETY ZONES ARE PROVIDED FOR REFERENCE ONLY.
6. OPERATOR AND INSTALLATION TO COMPLY WITH ANSI/BHMA A156.19.
7. SEE SPECIFICATIONS FOR ADDITIONAL INFORMATION.

M-FORCE™
(NEXT GENERATION MAGIC-FORCE™)
WITH
SWING-GUARD® LE

LOW ENERGY OPERATOR, HMW FRAME, VISIBLE, PAIR IN

PROJECT INFORMATION

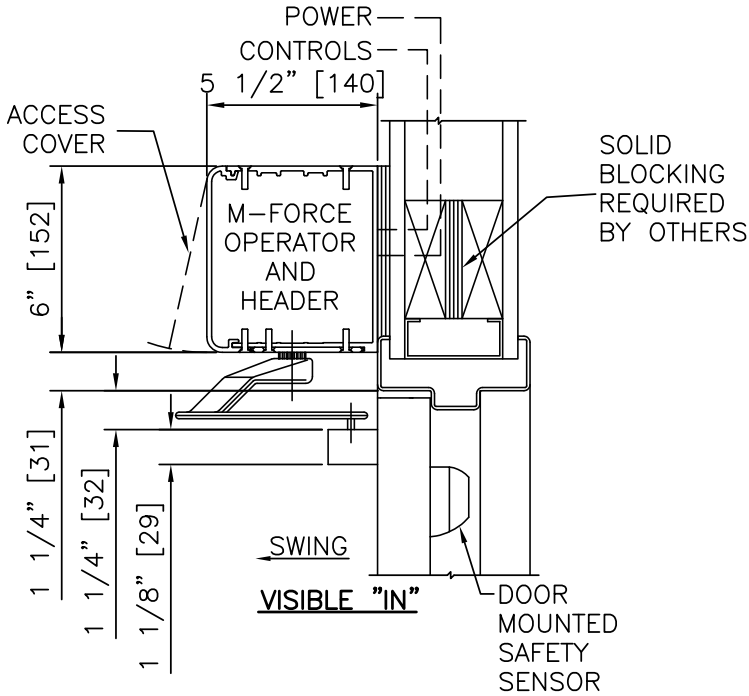
PROJECT NAME:

LOCATION:

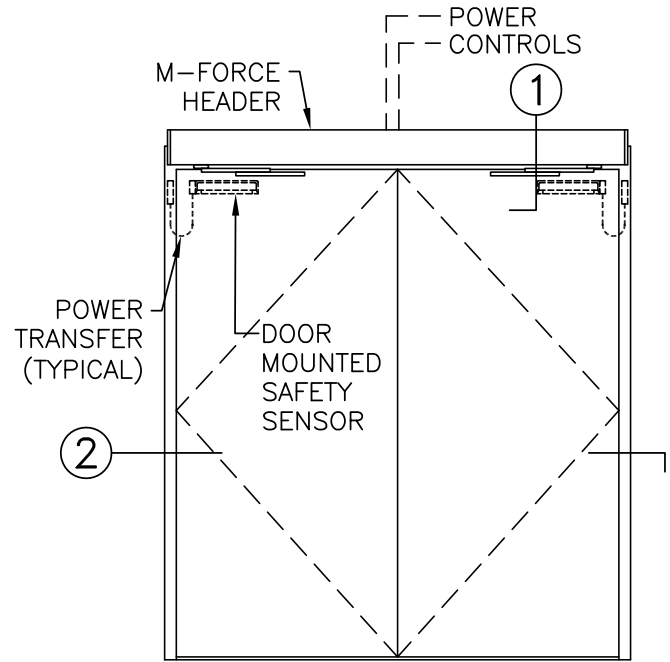
DOOR NUMBER(S):

DATE:

SHEET: OF



① VERTICAL SECTION

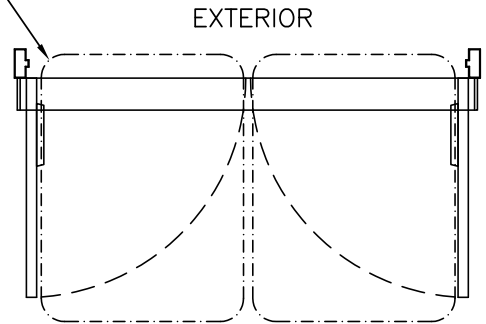


ELEVATION

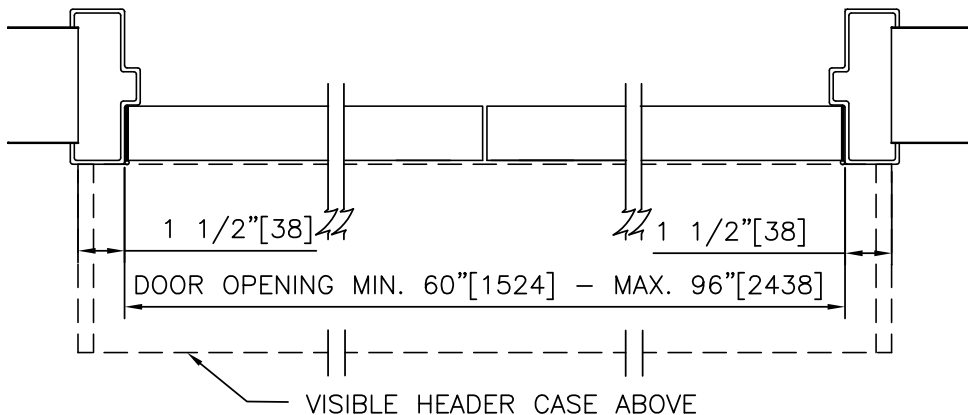
NOTES:

1. DETAILS NOT TO SCALE.
2. ELECTRICAL REQUIREMENTS: BY ELECTRICAL CONTRACTOR
 - 2.1. 120 VAC, 5 AMP MIN TO OPERATOR.
 - 2.2. CONTROL CIRCUIT FROM ACTIVATION TO OPERATOR.
3. DOORS, FRAMES, AND HARDWARE BY OTHERS.
4. DOORS MUST BE UN-LATCHED FOR PROPER OPERATION. PROVIDE TIME DELAY RELAY WHEN REQUIRED FOR PROPER OPERATION.
5. LIMITS OF SAFETY ZONES ARE PROVIDED FOR REFERENCE ONLY.
6. OPERATOR AND INSTALLATION TO COMPLY WITH ANSI/BHMA A156.19.
7. SEE SPECIFICATIONS FOR ADDITIONAL INFORMATION.

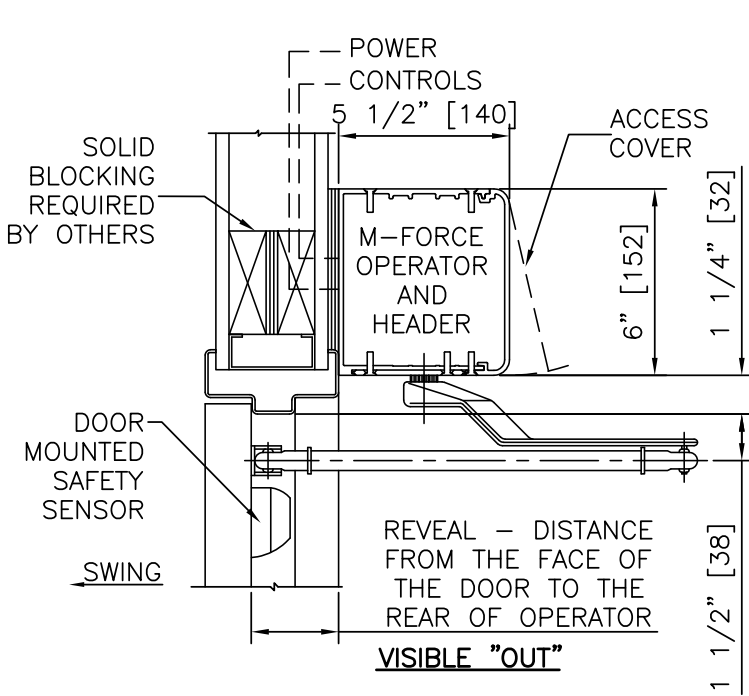
SWING-GUARD LE
SAFETY ZONE
(TYP)



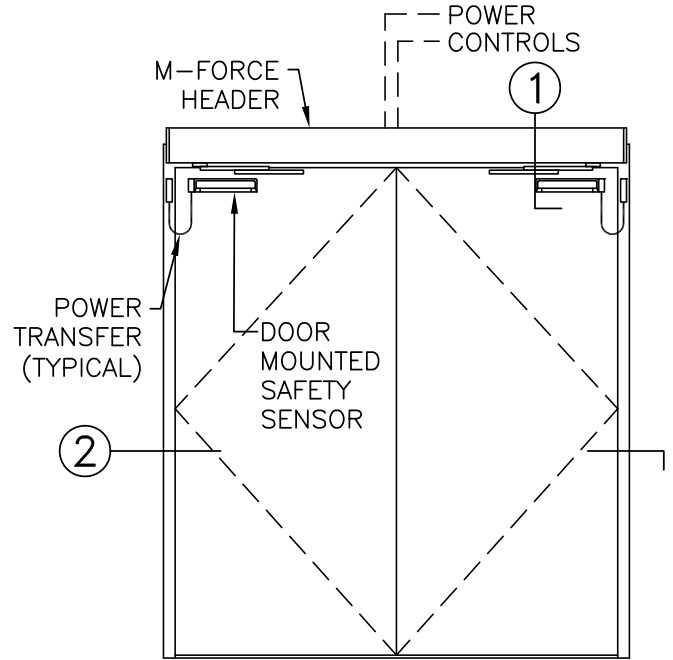
INTERIOR
PLAN



② HORIZONTAL SECTION



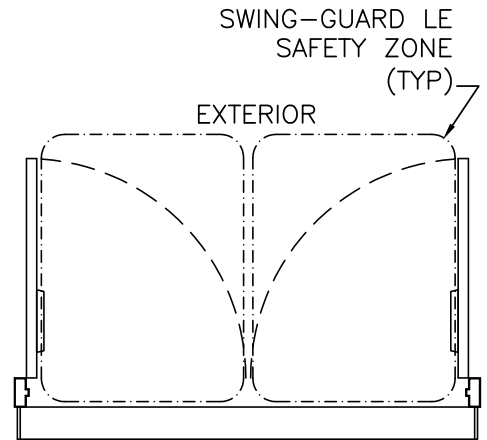
① VERTICAL SECTION



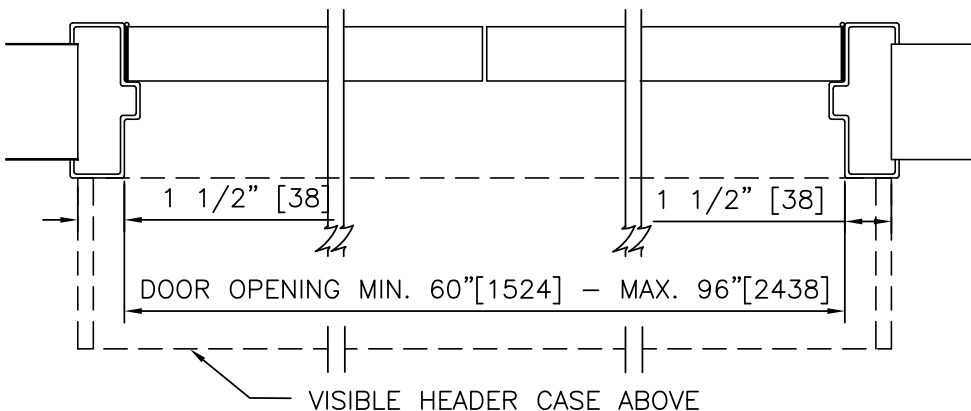
ELEVATION

NOTES:

1. DETAILS NOT TO SCALE.
2. ELECTRICAL REQUIREMENTS: BY ELECTRICAL CONTRACTOR
 - 2.1. 120 VAC, 5 AMP MIN TO OPERATOR.
 - 2.2. CONTROL CIRCUIT FROM ACTIVATION TO OPERATOR.
3. DOORS, FRAMES, AND HARDWARE BY OTHERS.
4. DOORS MUST BE UN-LATCHED FOR PROPER OPERATION. PROVIDE TIME DELAY RELAY WHEN REQUIRED FOR PROPER OPERATION.
5. LIMITS OF SAFETY ZONES ARE PROVIDED FOR REFERENCE ONLY.
6. OPERATOR AND INSTALLATION TO COMPLY WITH ANSI/BHMA A156.19.
7. SEE SPECIFICATIONS FOR ADDITIONAL INFORMATION.



INTERIOR PLAN



② HORIZONTAL SECTION

M-FORCE™
(NEXT GENERATION MAGIC-FORCE™)
WITH
SWING-GUARD® LE

LOW ENERGY OPERATOR, HMW FRAME, VISIBLE, PAIR DE RH

PROJECT INFORMATION

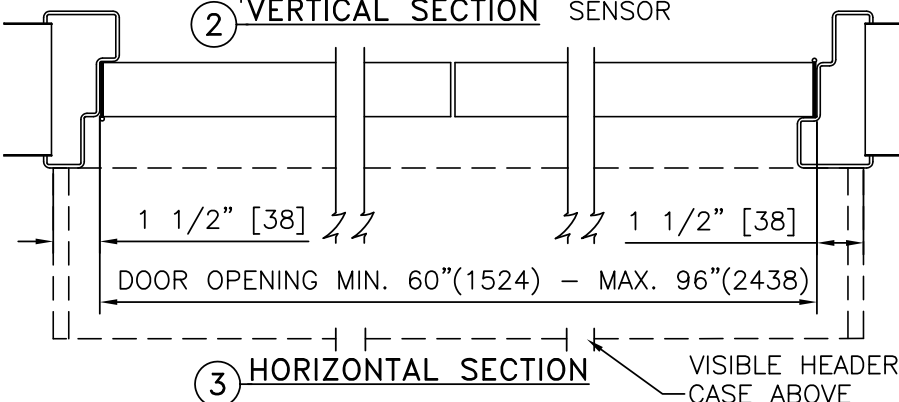
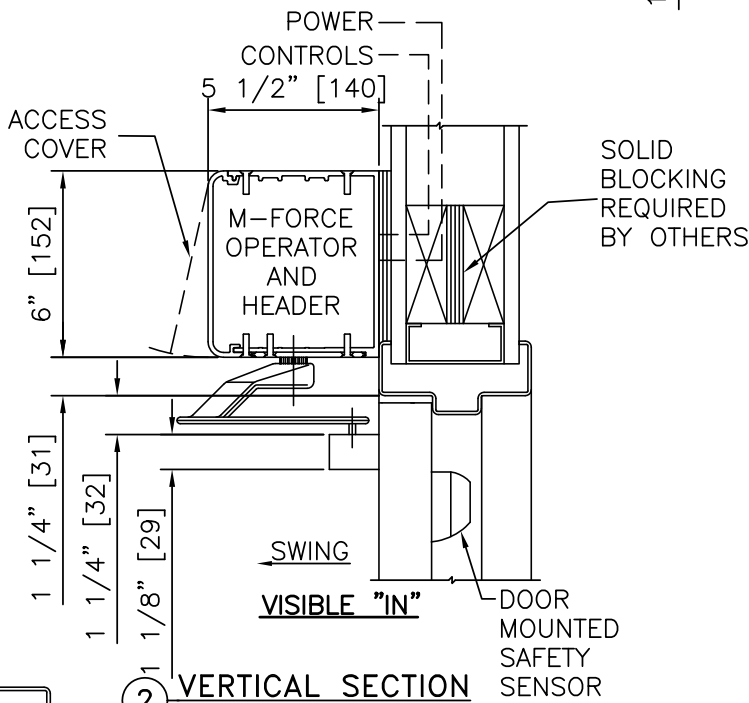
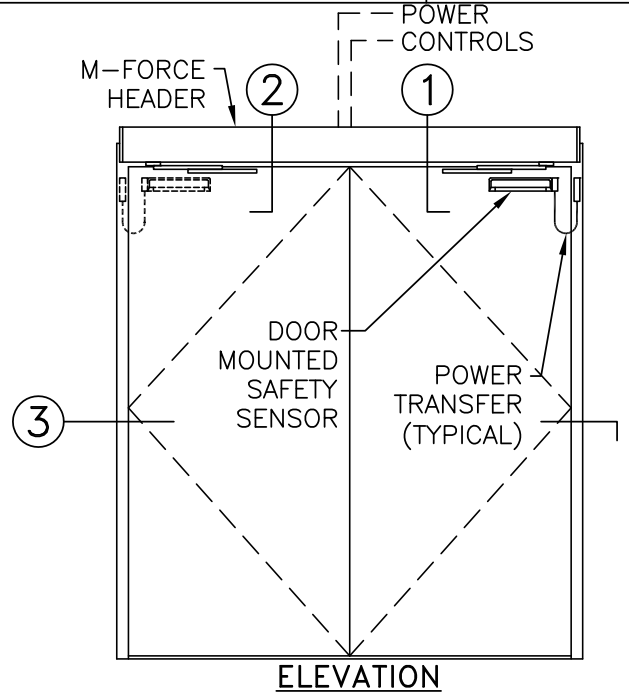
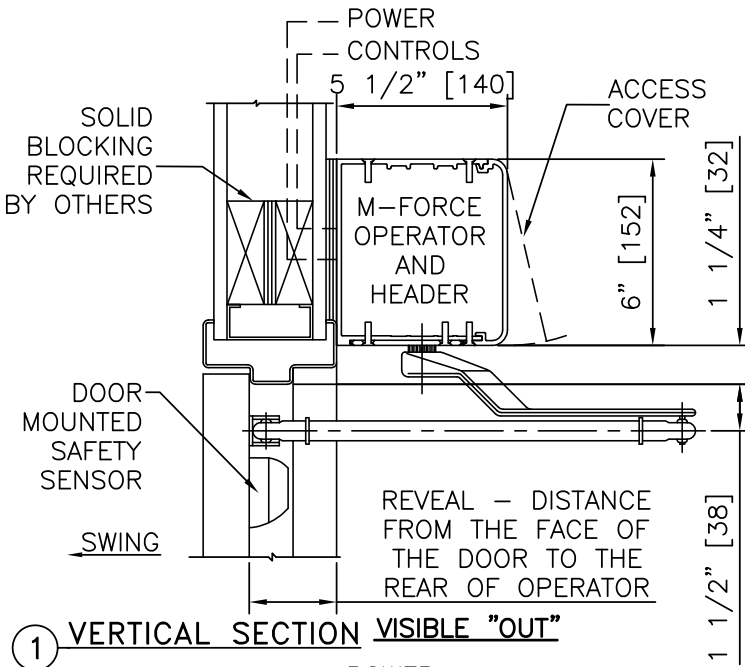
PROJECT NAME:

LOCATION:

DOOR NUMBER(S):

DATE:

SHEET: OF



NOTES:

1. DETAILS NOT TO SCALE.
2. ELECTRICAL REQUIREMENTS: BY ELECTRICAL CONTRACTOR
 - 2.1. 120 VAC, 5 AMP MIN TO OPERATOR.
 - 2.2. CONTROL CIRCUIT FROM ACTIVATION TO OPERATOR.
3. DOORS, FRAMES, AND HARDWARE BY OTHERS.
4. DOORS MUST BE UN-LATCHED FOR PROPER OPERATION. PROVIDE TIME DELAY RELAY WHEN REQUIRED FOR PROPER OPERATION.
5. LIMITS OF SAFETY ZONES ARE PROVIDED FOR REFERENCE ONLY.
6. OPERATOR AND INSTALLATION TO COMPLY WITH ANSI/BHMA A156.19.
7. SEE SPECIFICATIONS FOR ADDITIONAL INFORMATION.

M-FORCE™
(NEXT GENERATION MAGIC-FORCE™)
WITH
SWING-GUARD® LE

LOW ENERGY OPERATOR, HMW FRAME, VISIBLE, PAIR DE LH

PROJECT INFORMATION

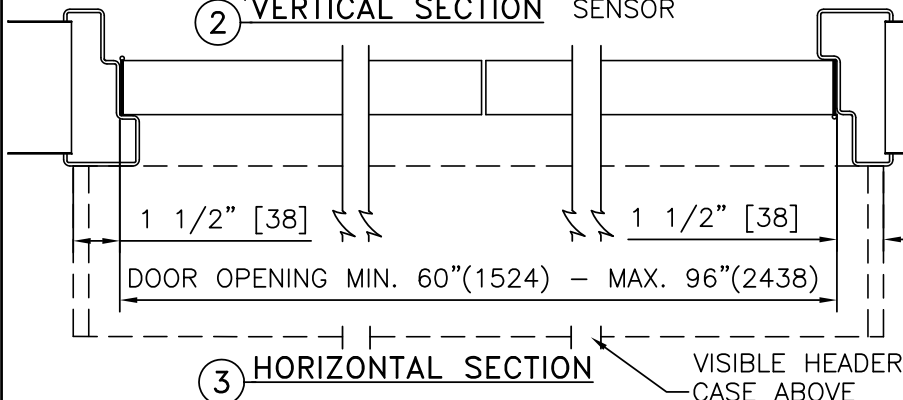
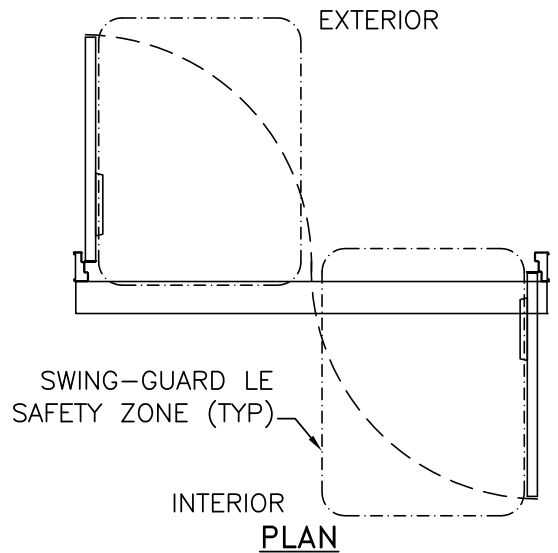
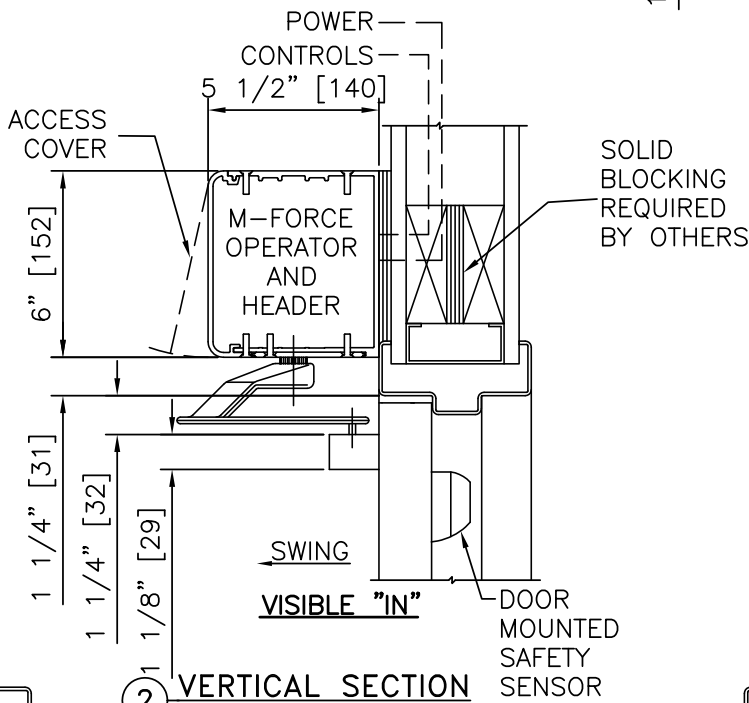
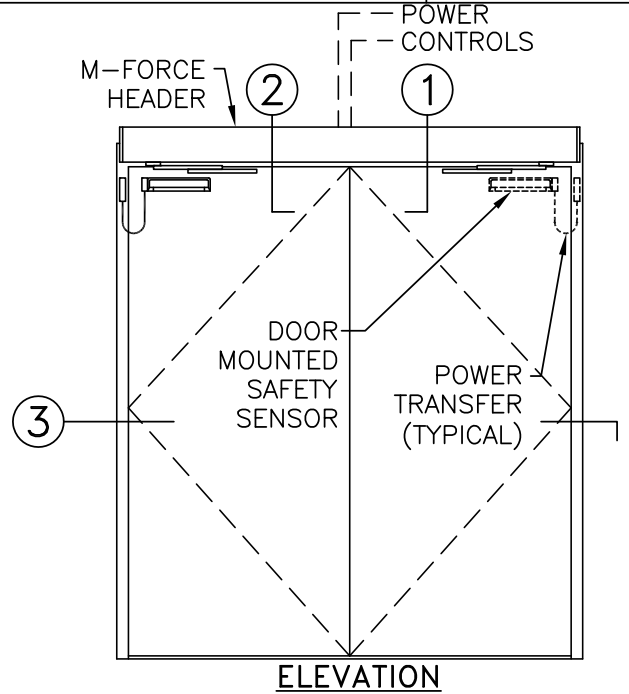
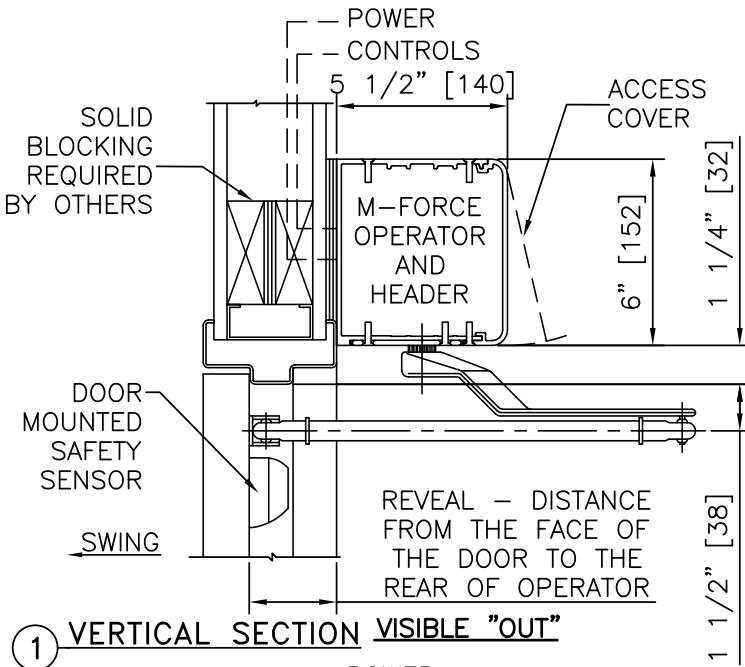
PROJECT NAME:

LOCATION:

DOOR NUMBER(S):

DATE:

SHEET: OF



NOTES:

1. DETAILS NOT TO SCALE.
2. ELECTRICAL REQUIREMENTS: BY ELECTRICAL CONTRACTOR
 - 2.1. 120 VAC, 5 AMP MIN TO OPERATOR.
 - 2.2. CONTROL CIRCUIT FROM ACTIVATION TO OPERATOR.
3. DOORS, FRAMES, AND HARDWARE BY OTHERS.
4. DOORS MUST BE UN-LATCHED FOR PROPER OPERATION. PROVIDE TIME DELAY RELAY WHEN REQUIRED FOR PROPER OPERATION.
5. LIMITS OF SAFETY ZONES ARE PROVIDED FOR REFERENCE ONLY.
6. OPERATOR AND INSTALLATION TO COMPLY WITH ANSI/BHMA A156.19.
7. SEE SPECIFICATIONS FOR ADDITIONAL INFORMATION.

M-FORCE™
(NEXT GENERATION MAGIC-FORCE™)
WITH
SWING-GUARD® LE

LE OPERATOR, HMW FRAME, VISIBLE, SINGLE ON PAIR, RH IN

PROJECT INFORMATION

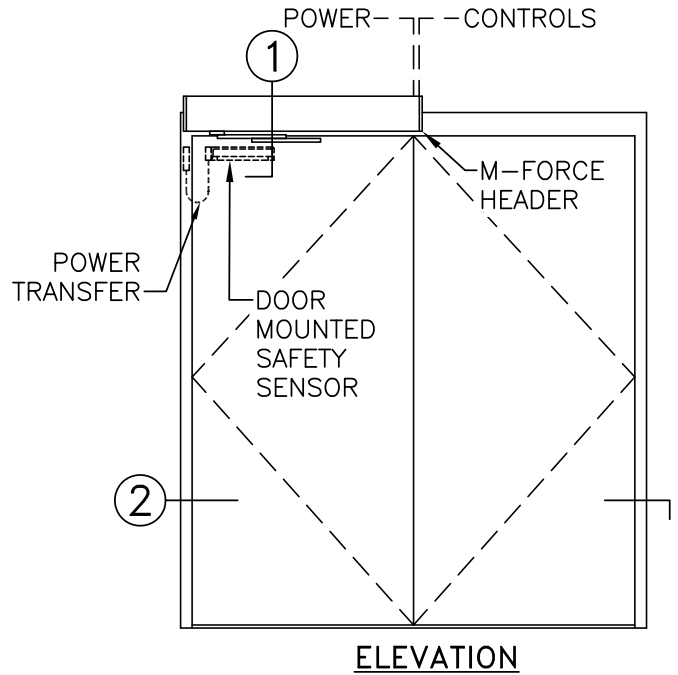
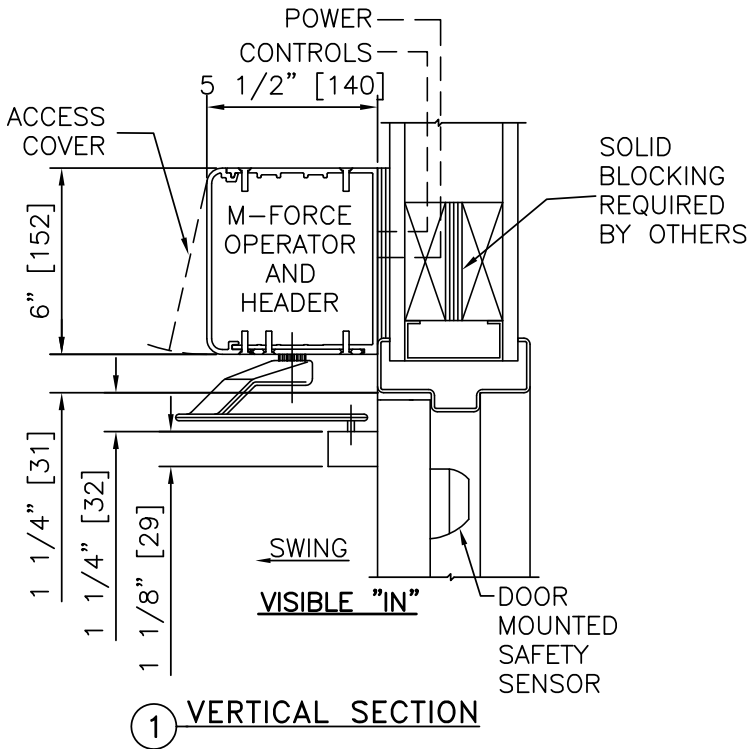
PROJECT NAME:

LOCATION:

DOOR NUMBER(S):

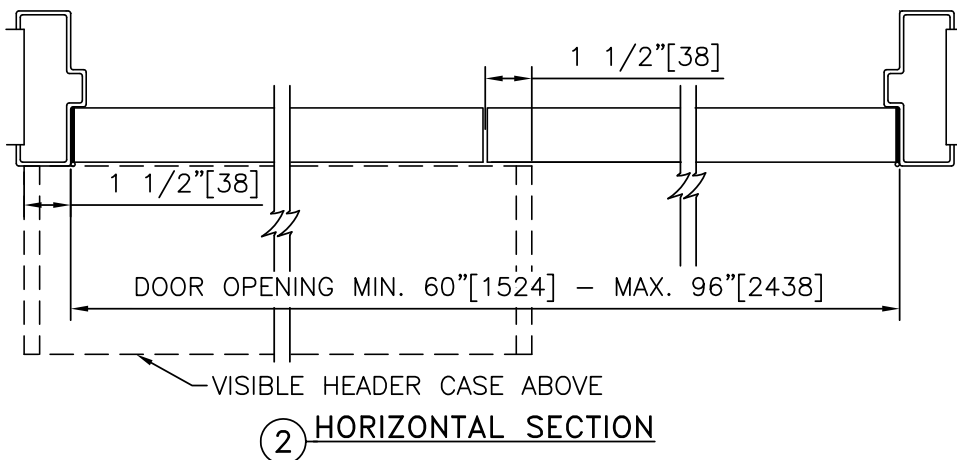
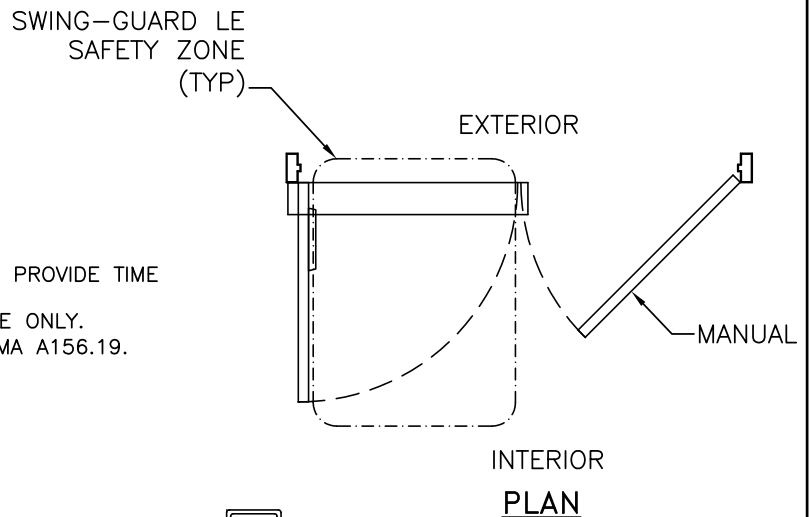
DATE:

SHEET: OF



NOTES:

1. DETAILS NOT TO SCALE.
2. ELECTRICAL REQUIREMENTS: BY ELECTRICAL CONTRACTOR
 - 2.1. 120 VAC, 5 AMP MIN TO OPERATOR.
 - 2.2. CONTROL CIRCUIT FROM ACTIVATION TO OPERATOR.
3. DOORS, FRAMES, AND HARDWARE BY OTHERS.
4. DOORS MUST BE UN-LATCHED FOR PROPER OPERATION. PROVIDE TIME DELAY RELAY WHEN REQUIRED FOR PROPER OPERATION.
5. LIMITS OF SAFETY ZONES ARE PROVIDED FOR REFERENCE ONLY.
6. OPERATOR AND INSTALLATION TO COMPLY WITH ANSI/BHMA A156.19.
7. SEE SPECIFICATIONS FOR ADDITIONAL INFORMATION.



M-FORCE™
(NEXT GENERATION MAGIC-FORCE™)
WITH
SWING-GUARD® LE

LE OPERATOR, HMW FRAME, VISIBLE, SINGLE ON PAIR, LH IN

PROJECT INFORMATION

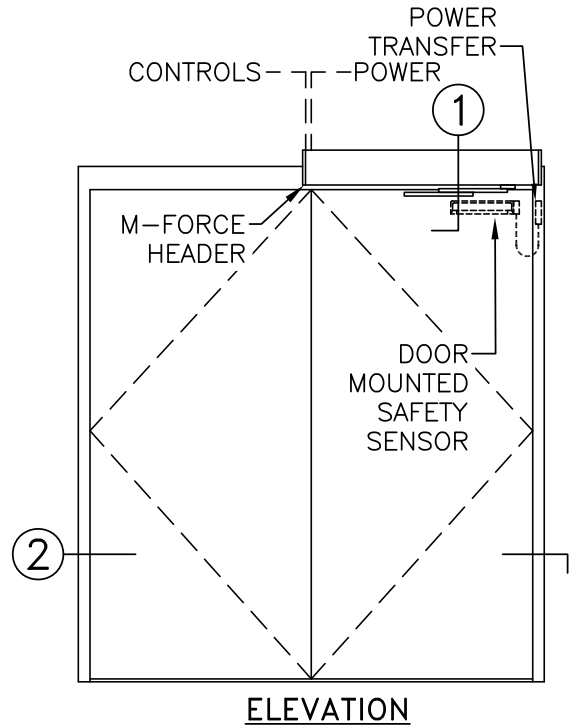
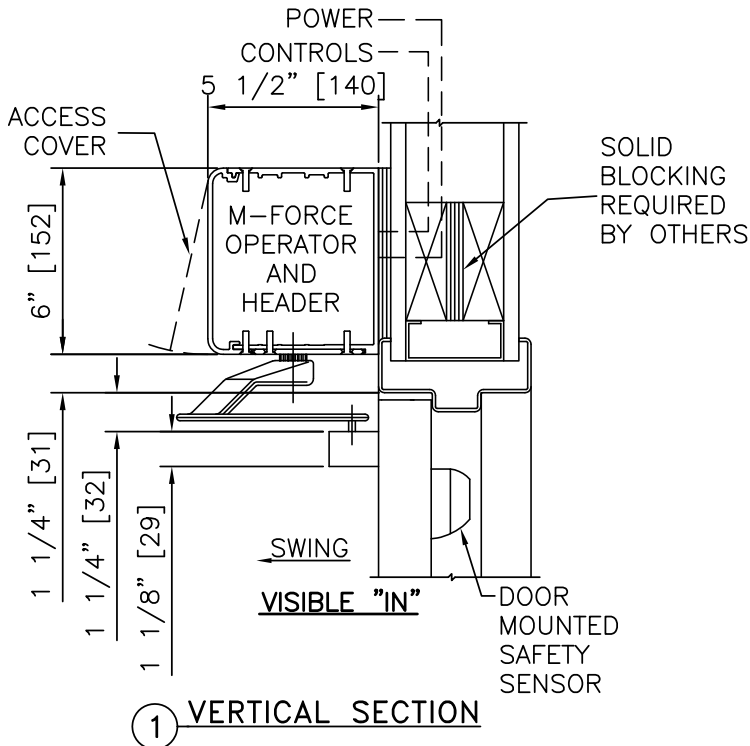
PROJECT NAME:

LOCATION:

DOOR NUMBER(S):

DATE:

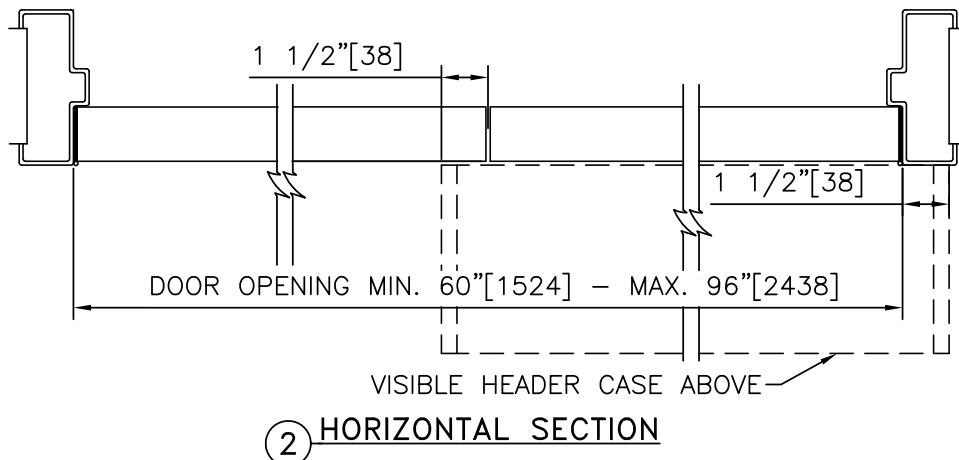
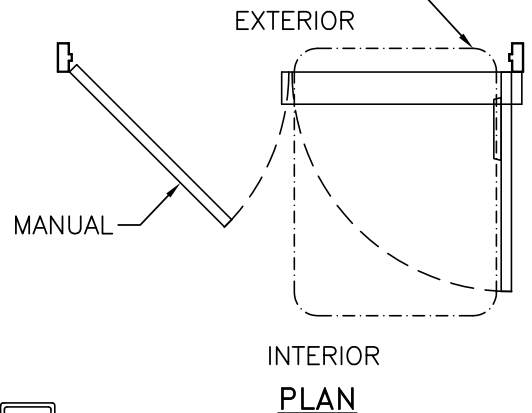
SHEET: OF



SWING-GUARD LE
SAFETY ZONE
(TYP)

NOTES:

1. DETAILS NOT TO SCALE.
2. ELECTRICAL REQUIREMENTS: BY ELECTRICAL CONTRACTOR
 - 2.1. 120 VAC, 5 AMP MIN TO OPERATOR.
 - 2.2. CONTROL CIRCUIT FROM ACTIVATION TO OPERATOR.
3. DOORS, FRAMES, AND HARDWARE BY OTHERS.
4. DOORS MUST BE UN-LATCHED FOR PROPER OPERATION. PROVIDE TIME DELAY RELAY WHEN REQUIRED FOR PROPER OPERATION.
5. LIMITS OF SAFETY ZONES ARE PROVIDED FOR REFERENCE ONLY.
6. OPERATOR AND INSTALLATION TO COMPLY WITH ANSI/BHMA A156.19.
7. SEE SPECIFICATIONS FOR ADDITIONAL INFORMATION.



M-FORCE™
(NEXT GENERATION MAGIC-FORCE™)
WITH
SWING-GUARD® LE

LE OPERATOR, HMW FRAME, VISIBLE, SINGLE ON PAIR, RH OUT

PROJECT INFORMATION

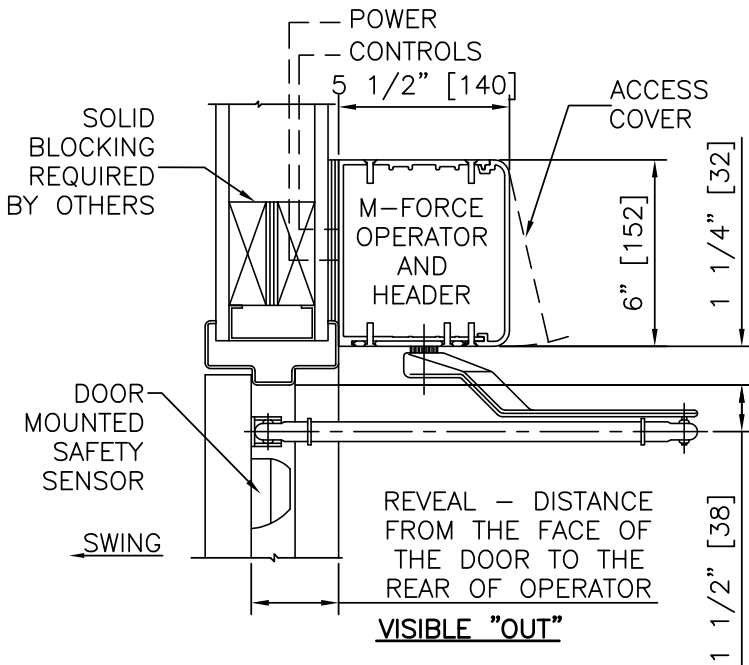
PROJECT NAME:

LOCATION:

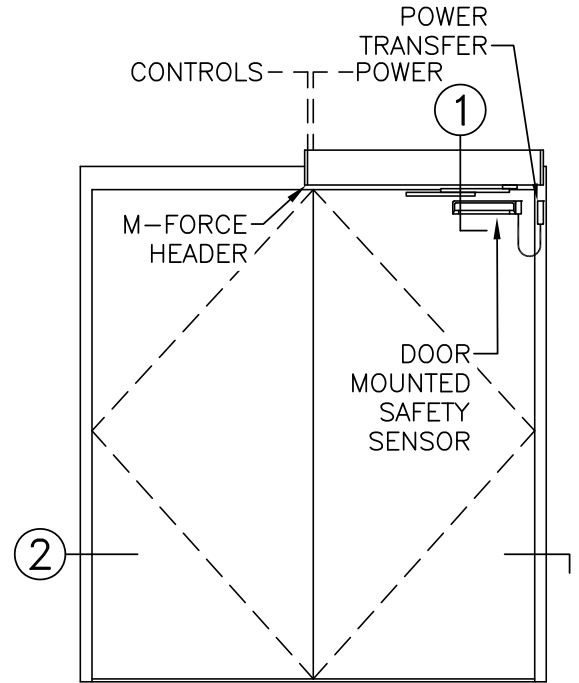
DOOR NUMBER(S):

DATE:

SHEET: OF

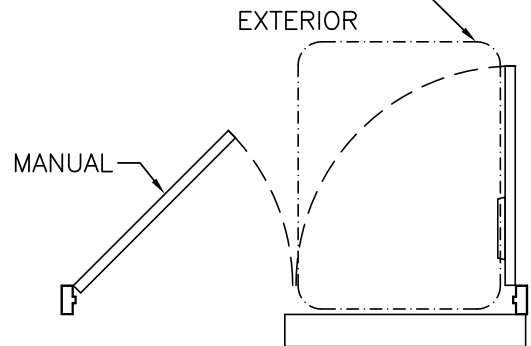


① VERTICAL SECTION



ELEVATION

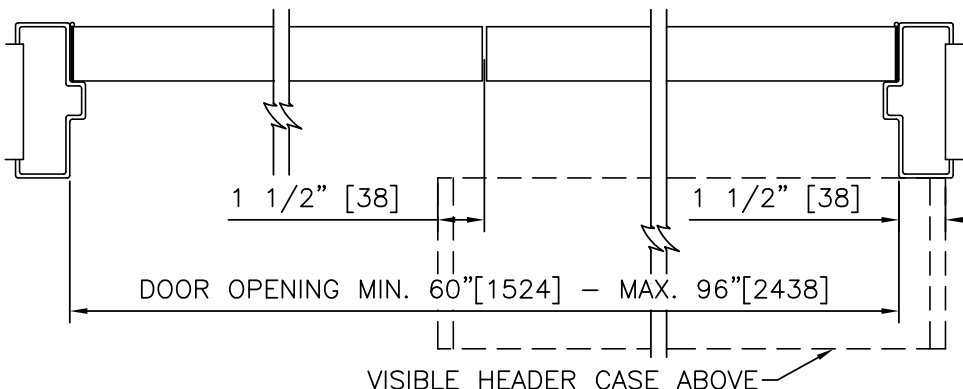
SWING-GUARD LE
SAFETY ZONE
(TYP)



INTERIOR
PLAN

NOTES:

1. DETAILS NOT TO SCALE.
2. ELECTRICAL REQUIREMENTS: BY ELECTRICAL CONTRACTOR
 - 2.1. 120 VAC, 5 AMP MIN TO OPERATOR.
 - 2.2. CONTROL CIRCUIT FROM ACTIVATION TO OPERATOR.
3. DOORS, FRAMES, AND HARDWARE BY OTHERS.
4. DOORS MUST BE UN-LATCHED FOR PROPER OPERATION. PROVIDE TIME DELAY RELAY WHEN REQUIRED FOR PROPER OPERATION.
5. LIMITS OF SAFETY ZONES ARE PROVIDED FOR REFERENCE ONLY.
6. OPERATOR AND INSTALLATION TO COMPLY WITH ANSI/BHMA A156.19.
7. SEE SPECIFICATIONS FOR ADDITIONAL INFORMATION.



② HORIZONTAL SECTION

M-FORCE™
(NEXT GENERATION MAGIC-FORCE™)
WITH
SWING-GUARD® LE

LE OPERATOR, HMW FRAME, VISIBLE, SINGLE ON PAIR, LH OUT

PROJECT INFORMATION

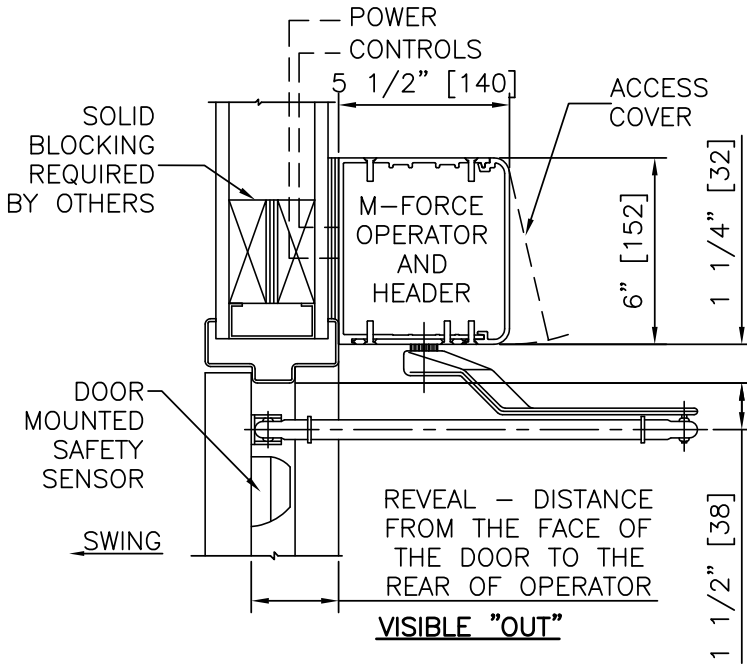
PROJECT NAME:

LOCATION:

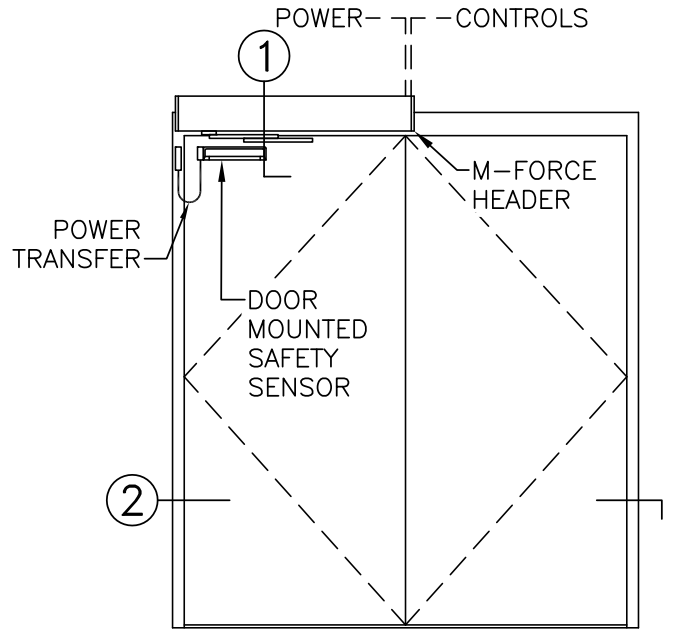
DOOR NUMBER(S):

DATE:

SHEET: OF

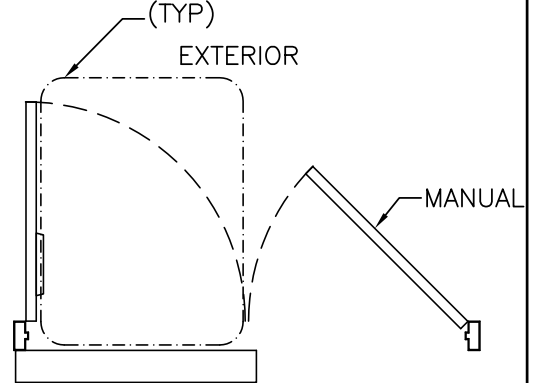


① VERTICAL SECTION



ELEVATION

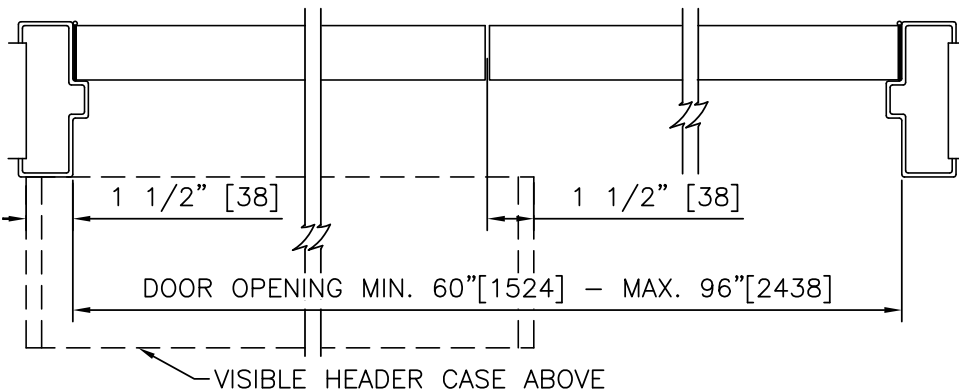
SWING-GUARD LE
SAFETY ZONE
(TYP)



INTERIOR
PLAN

NOTES:

1. DETAILS NOT TO SCALE.
2. ELECTRICAL REQUIREMENTS: BY ELECTRICAL CONTRACTOR
 - 2.1. 120 VAC, 5 AMP MIN TO OPERATOR.
 - 2.2. CONTROL CIRCUIT FROM ACTIVATION TO OPERATOR.
3. DOORS, FRAMES, AND HARDWARE BY OTHERS.
4. DOORS MUST BE UN-LATCHED FOR PROPER OPERATION. PROVIDE TIME DELAY RELAY WHEN REQUIRED FOR PROPER OPERATION.
5. LIMITS OF SAFETY ZONES ARE PROVIDED FOR REFERENCE ONLY.
6. OPERATOR AND INSTALLATION TO COMPLY WITH ANSI/BHMA A156.19.
7. SEE SPECIFICATIONS FOR ADDITIONAL INFORMATION.



② HORIZONTAL SECTION