



## **SLIDING AUTOMATIC ENTRANCES: DURA-GLIDE™ 2000, BI-PARTING**

### **1.23 - SINGLE SLIDE WITH OPTIONAL TRANSOM**

- **1.23.01 - Single Slide Right Hand**
- **1.23.02 - Single Slide Left Hand**
- **1.23.03 - Single Slide Right Hand with Transom**
- **1.23.04 - Single Slide Left Hand with Transom**
- **1.23.05 - Single Slide Right Hand with Access Control, Surface Applied**
- **1.23.06 - Single Slide Right Hand with Access Control, Surface Applied**
- **1.23.07 - Single Slide Right Hand with Transom & Access Control, Surface Applied**
- **1.23.08 - Single Slide Right Hand with Transom & Access Control, Surface Applied**
- **1.23.09 - Single Slide Right Hand with Access Control, Recessed**
- **1.23.10 - Single Slide Left Hand with Access Control, Recessed**
- **1.23.11 - Single Slide Right Hand with Transom & Access Control, Recessed**
- **1.23.12 - Single Slide Left Hand with Transom & Access Control, Recessed**
- **1.23.13 - Single Slide Right Hand, Surface Applied**
- **1.23.14 - Single Slide Left Hand, Surface Applied**
- **1.23.15 - Single Slide Right Hand with Access Control, Recessed, Surface Applied**
- **1.23.16 - Single Slide Left Hand with Access Control, Recessed, Surface Applied**

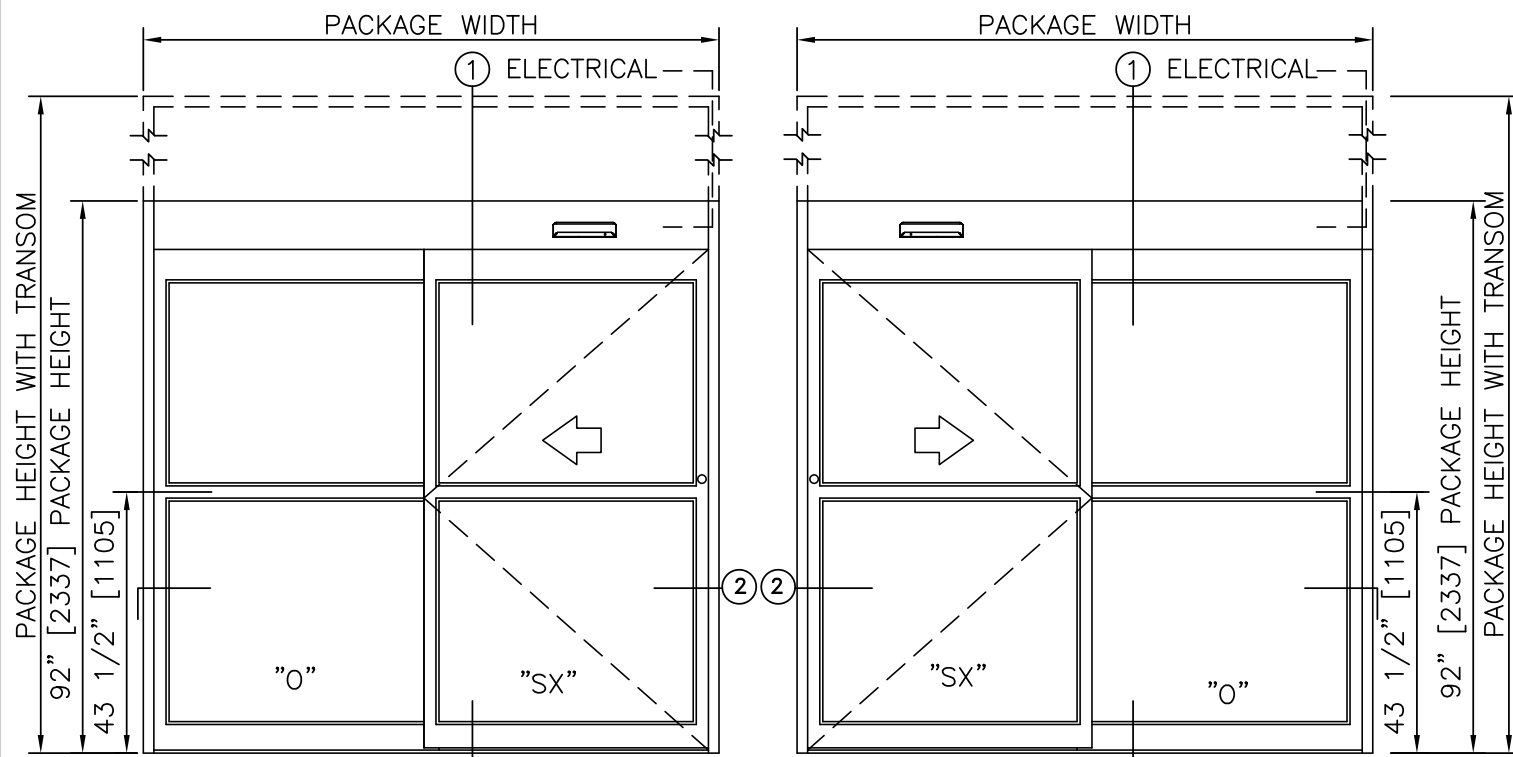
**STANLEY**  
Access Technologies

# DURA-GLIDE GREENSTAR 2000 SERIES

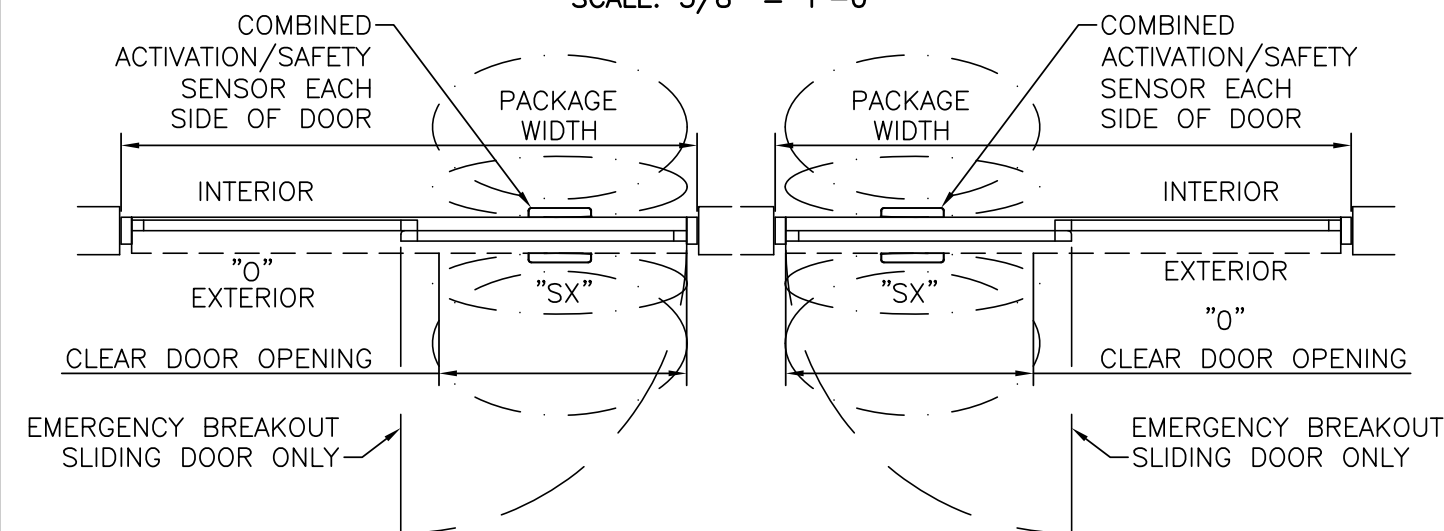
## SINGLE SLIDE WITH OPTIONAL TRANSOM

### PROJECT INFORMATION

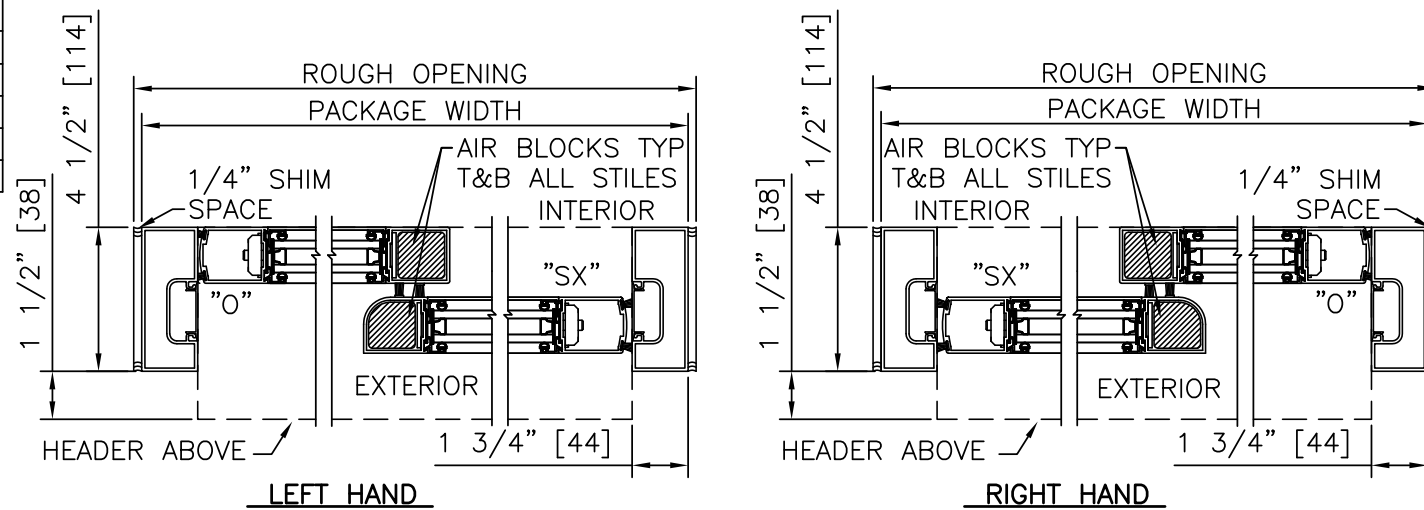
PROJECT NAME:	
LOCATION:	
DOOR NUMBER(S):	
DATE:	SHEET: OF



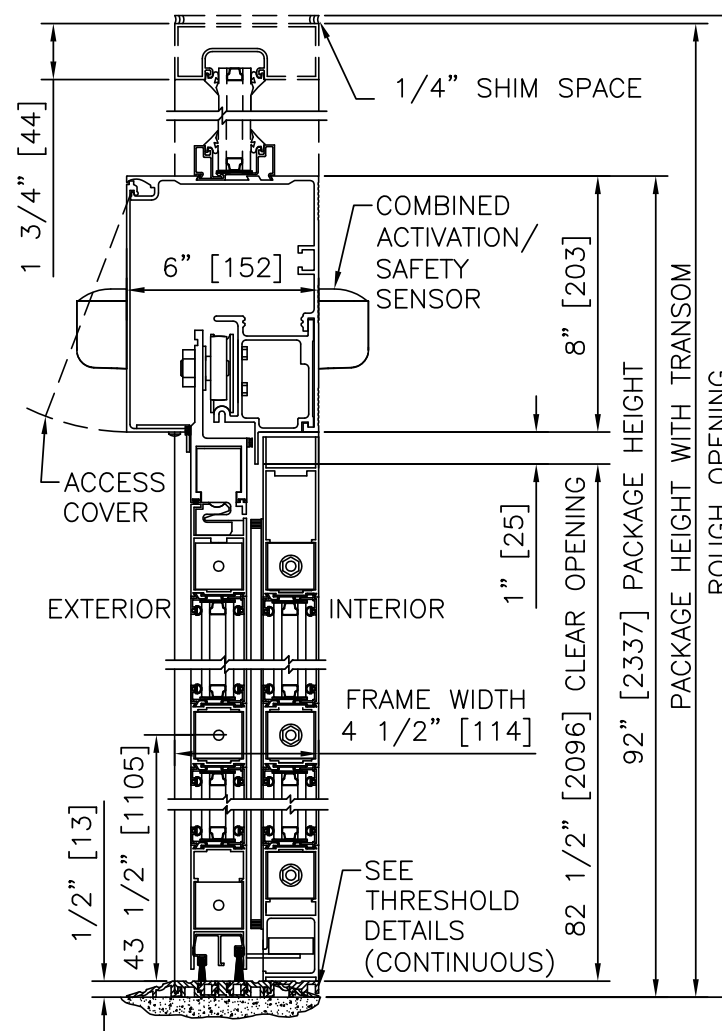
**ELEVATION VIEW**  
SCALE: 3/8" = 1'-0"



**PLAN VIEW**  
SCALE: 3/8" = 1'-0"



**HORIZONTAL SECTION**  
SCALE: 2" = 1'-0"



**VERTICAL SECTION**  
SCALE: 2" = 1'-0"

### PRODUCT OPTIONS

- TRANSOM
  - YES
  - VERTICALS 1 2 3
- FINISH
  - ANODIZED CLEAR CL2
  - ANODIZED DK BRONZE
  - CUSTOM
- LOCKING
  - 1-POINT
  - ACCESS CONTROL (PANIC)
  - 2-POINT
  - 3-POINT
- STILES
  - NARROW
  - MEDIUM
- BOTTOM RAILS
  - STANDARD 4"
  - OPTIONAL 6" 8" 10" 12"
- THRESHOLDS
  - SQ/BVL (EXT)
  - DBL BVL
  - SQ/BVL (INT)
  - RECESSED
- ACTIVATION/SAFETY
  - 2 COMBINED ACTIVATION/SAFETY SENSORS
- OTHER OPTIONS
  - ROTARY CTRL SWITCH
  - UNINTERRUPTIBLE POWER SUPPLY
  - FLY OPEN BOX
  - WIND DAMPERS
  - SWING PANEL CLOSER WITH MAG LATCH (GREEN-SET-GO)
  - ALARM CONTACTS

#### SINGLE SLIDE FORMULAS - NARROW STILE

PACKAGE WIDTH = 2 X CLEAR DOOR OPENING + 13.4"  
 CLEAR DOOR OPENING = 1/2 PACKAGE WIDTH - 6.7"  
 EMERGENCY BREAKOUT WIDTH = CLEAR DOOR OPENING + 3.8"  
 DOOR PANEL WIDTH = 1/2 PACKAGE WIDTH - 0.5"

#### SINGLE SLIDE FORMULAS - MEDIUM STILE

PACKAGE WIDTH = 2 X CLEAR DOOR OPENING + 17.8"  
 CLEAR DOOR OPENING = 1/2 PACKAGE WIDTH - 8.9"  
 EMERGENCY BREAKOUT WIDTH = CLEAR DOOR OPENING + 5.1"  
 DOOR PANEL WIDTH = 1/2 PACKAGE WIDTH + 0.2"

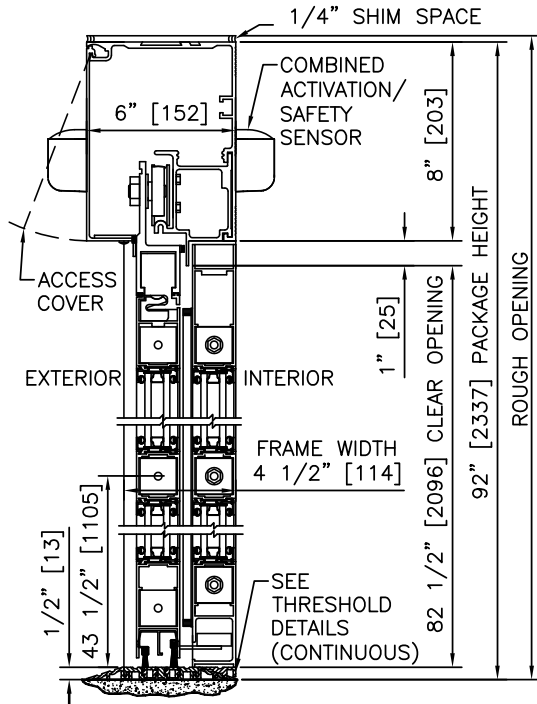
### NOTES

- ELECTRICAL REQUIREMENTS: 120 VAC, 5 AMP MIN TO POWER OPERATOR BY ELECTRICAL CONTRACTOR.
- ROUGH OPENING SHALL PROVIDE 1/4"[6] SHIM SPACE ON SIDES AND TOP OF PACKAGE.
- LIMITS OF ACTIVATION AND SAFETY ZONES ARE FOR REFERENCE ONLY; SEE ANSI/BHMA A156.10 FOR DETAILED REQUIREMENTS.
- STANDARD LOCKING IS 2-POINT, 3-POINT AND ACCESS CONTROL SYSTEMS AVAILABLE. SEE SHEET 1.60.
- STANDARD GLAZING STOPS FOR SLIDING AND FIXED PANELS ARE 1"[25].
- STANDARD JAMB TUBES SHOWN; 6"[152] AVAILABLE.
- STANDARD STILES, BOTTOM RAILS AND MUNTINS SHOWN; MEDIUM STILES, BOTTOM RAILS TO 12"[305], AND 4 1/4"[108] MUNTINS AVAILABLE.
- AIR INFILTRATION RATING: LESS THAN 1.0 CFM/FT2 @ 1.57 PSF; PER ASTM E283 (NFRC 400), WITH GREENFIT SEALING SYSTEM.
- SEE SPECIFICATIONS FOR ADDITIONAL INFORMATION.

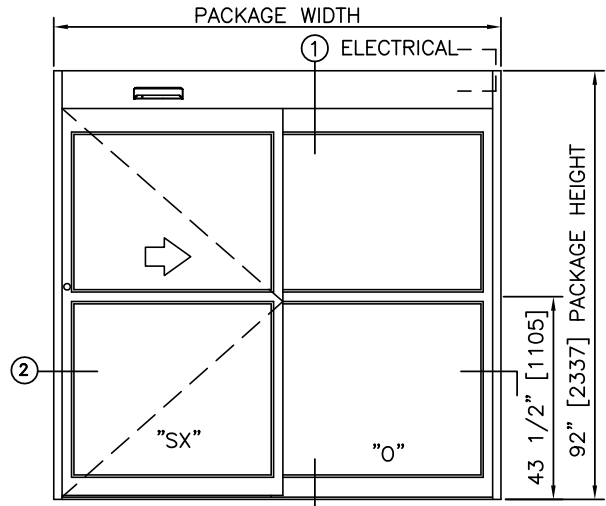
TYPICAL PACKAGE DIMENSIONS (NARROW STILE)			
PACKAGE WIDTH	NOMINAL CLEAR DOOR OPENING	DOOR PANEL NOMINAL WIDTH	EMERGENCY BREAKOUT NOM. WIDTH
84"	35.3"	41.5"	39.0"
96"	41.3"	47.5"	45.0"
108"	47.3"	53.5"	51.0"

# DURA-GLIDE GREENSTAR 2000 SERIES

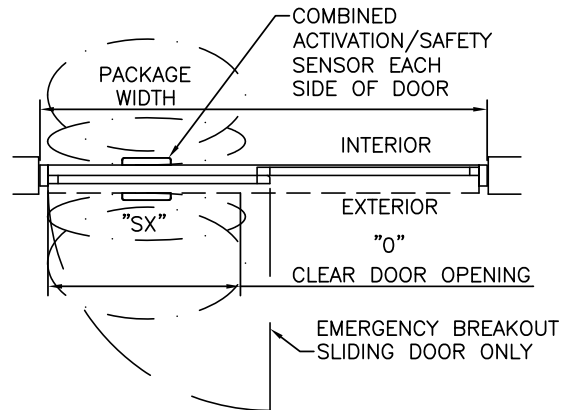
**STANLEY**  
Access Technologies



1 VERTICAL SECTION



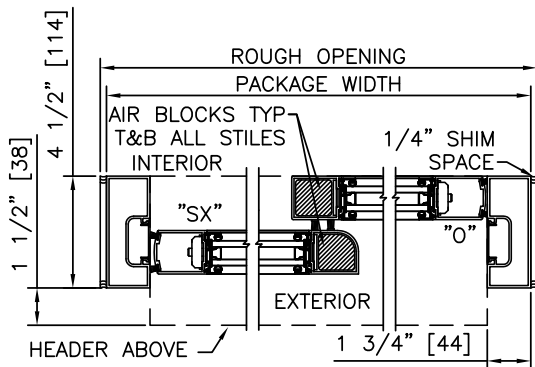
ELEVATION



PLAN

NOTES

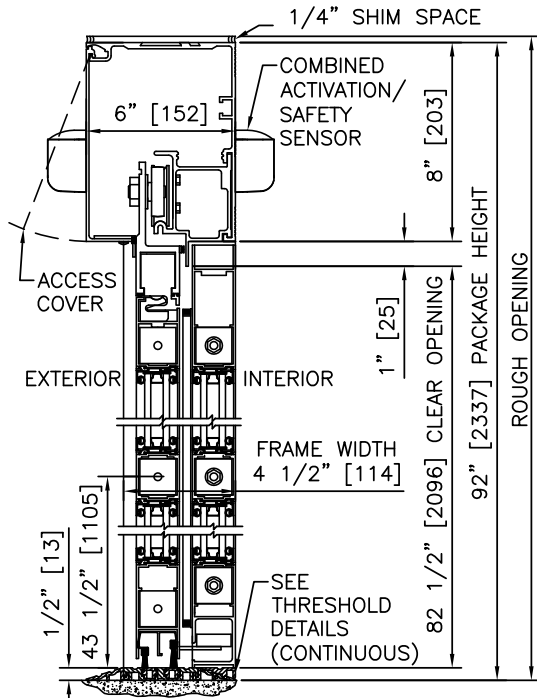
1. ELECTRICAL REQUIREMENTS: BY ELECTRICAL CONTRACTOR 120 VAC, 5 AMP MIN TO POWER OPERATOR
2. ROUGH OPENING SHALL PROVIDE 1/4" [6] SHIM SPACE ON SIDES AND TOP OF PACKAGE.
3. LIMITS OF ACTIVATION AND SAFETY ZONES ARE FOR REFERENCE ONLY; SEE ANSI/BHMA A156.10 FOR DETAILED REQUIREMENTS.
4. AIR INFILTRATION RATING: LESS THAN 1.0 CFM/FT<sup>2</sup> @ 1.57 PSF; PER ASTM E283 (NFRC 400), WITH GREENFIT SEALING SYSTEM.
5. SEE SPECIFICATIONS FOR ADDITIONAL INFORMATION.



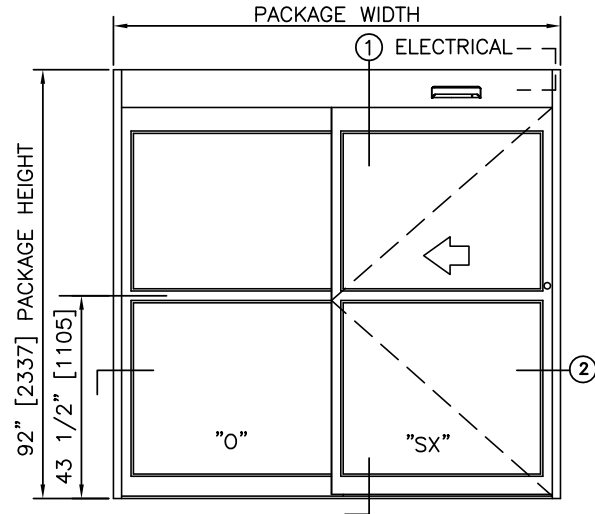
2 HORIZONTAL SECTION

TYPICAL PACKAGE DIMENSIONS (NARROW STILE)

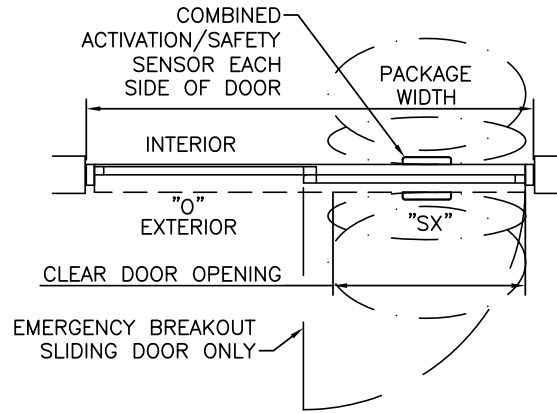
PACKAGE WIDTH	NOMINAL CLEAR DOOR OPENING	DOOR PANEL NOMINAL WIDTH	EMERGENCY BREAKOUT NOM. WIDTH
84"	35.3"	41.5"	39.0"
96"	41.3"	47.5"	45.0"
108"	47.3"	53.5"	51.0"



① VERTICAL SECTION



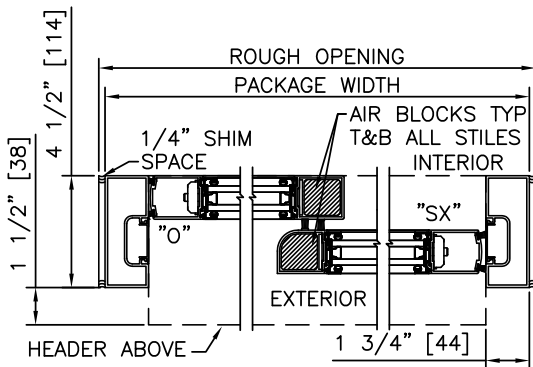
ELEVATION



PLAN

NOTES

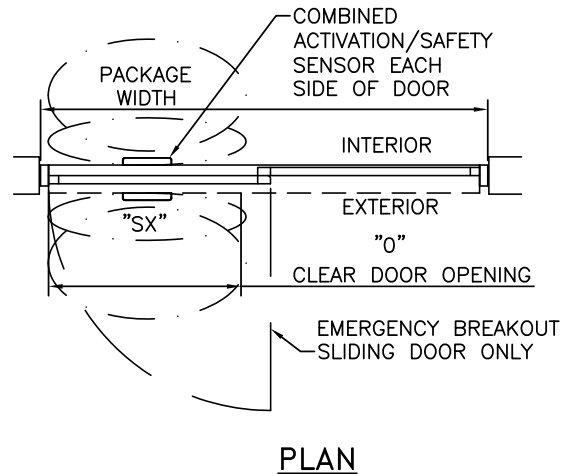
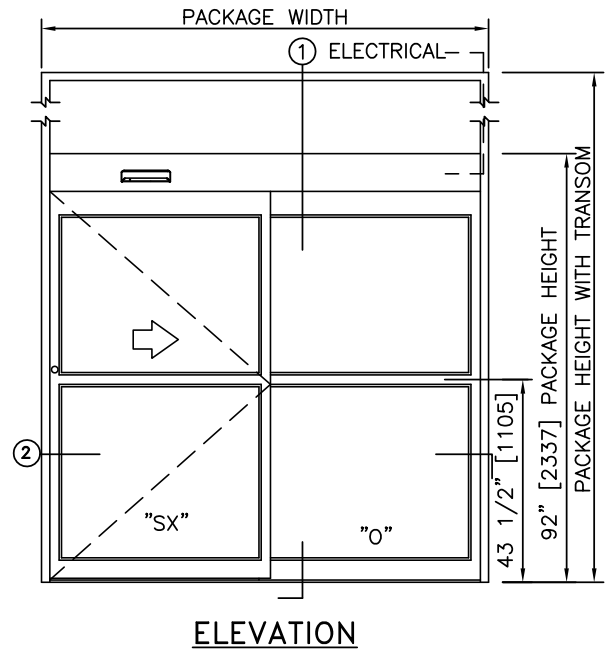
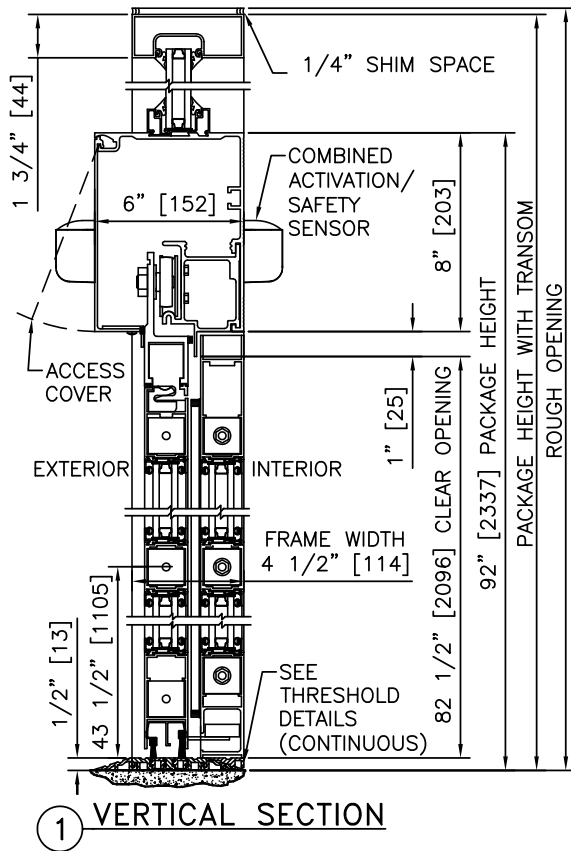
1. ELECTRICAL REQUIREMENTS: BY ELECTRICAL CONTRACTOR 120 VAC, 5 AMP MIN TO POWER OPERATOR
2. ROUGH OPENING SHALL PROVIDE 1/4"[6] SHIM SPACE ON SIDES AND TOP OF PACKAGE.
3. LIMITS OF ACTIVATION AND SAFETY ZONES ARE FOR REFERENCE ONLY; SEE ANSI/BHMA A156.10 FOR DETAILED REQUIREMENTS.
4. AIR INFILTRATION RATING: LESS THAN 1.0 CFM/FT<sup>2</sup> @ 1.57 PSF; PER ASTM E283 (NFRC 400), WITH GREENFIT SEALING SYSTEM.
5. SEE SPECIFICATIONS FOR ADDITIONAL INFORMATION.



② HORIZONTAL SECTION

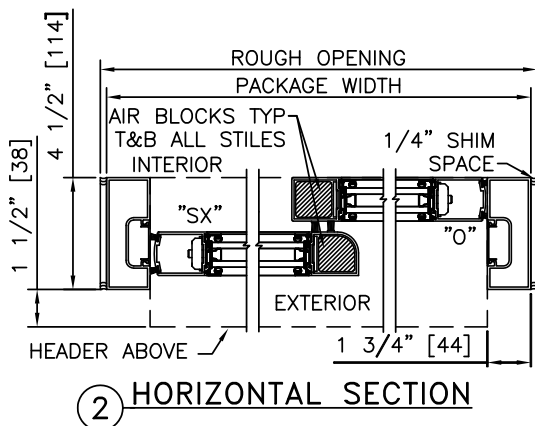
TYPICAL PACKAGE DIMENSIONS (NARROW STILE)

PACKAGE WIDTH	NOMINAL CLEAR DOOR OPENING	DOOR PANEL NOMINAL WIDTH	EMERGENCY BREAKOUT NOM. WIDTH
84"	35.3"	41.5"	39.0"
96"	41.3"	47.5"	45.0"
108"	47.3"	53.5"	51.0"



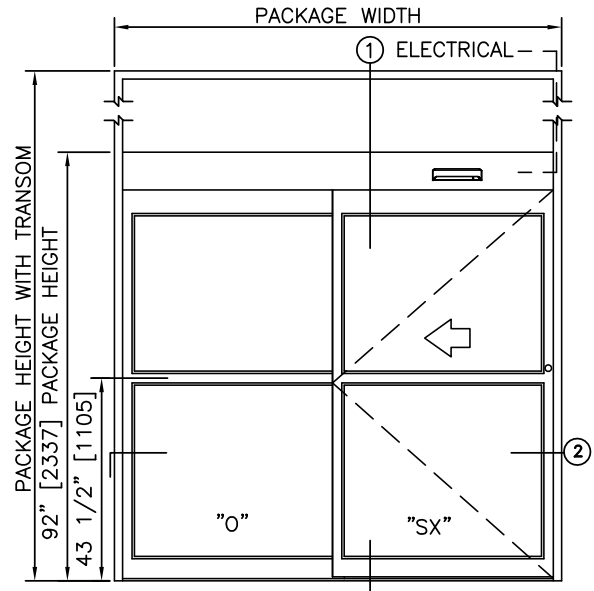
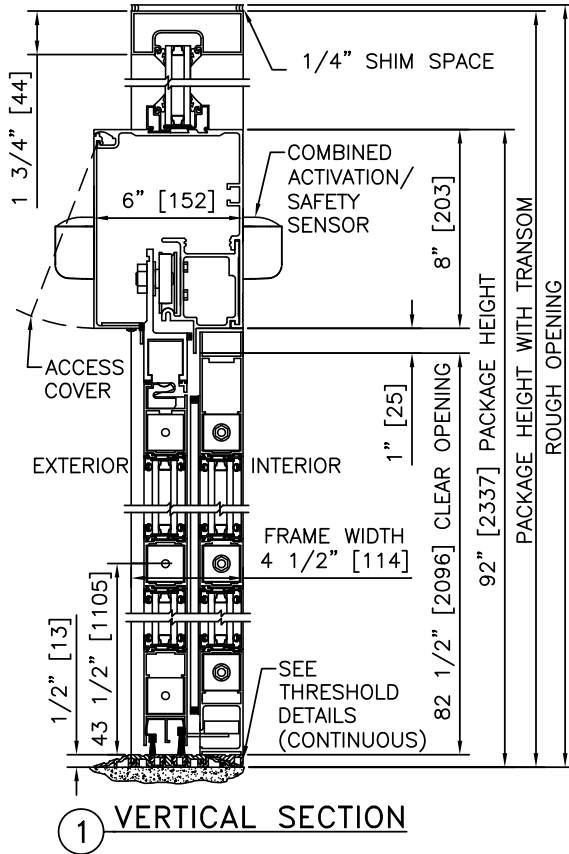
**NOTES**

1. ELECTRICAL REQUIREMENTS: BY ELECTRICAL CONTRACTOR 120 VAC, 5 AMP MIN TO POWER OPERATOR
2. ROUGH OPENING SHALL PROVIDE 1/4"[6] SHIM SPACE ON SIDES AND TOP OF PACKAGE.
3. LIMITS OF ACTIVATION AND SAFETY ZONES ARE FOR REFERENCE ONLY; SEE ANSI/BHMA A156.10 FOR DETAILED REQUIREMENTS.
4. AIR INFILTRATION RATING: LESS THAN 1.0 CFM/FT<sup>2</sup> @ 1.57 PSF; PER ASTM E283 (NFRC 400), WITH GREENFIT SEALING SYSTEM.
5. SEE SPECIFICATIONS FOR ADDITIONAL INFORMATION.

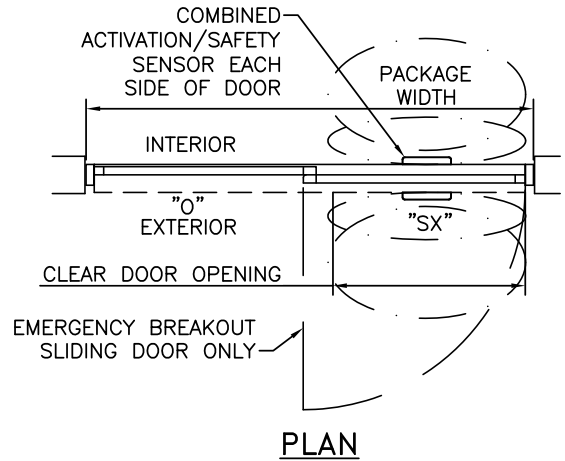


TYPICAL PACKAGE DIMENSIONS (NARROW STILE)

PACKAGE WIDTH	NOMINAL CLEAR DOOR OPENING	DOOR PANEL NOMINAL WIDTH	EMERGENCY BREAKOUT NOM. WIDTH
84"	35.3"	41.5"	39.0"
96"	41.3"	47.5"	45.0"
108"	47.3"	53.5"	51.0"

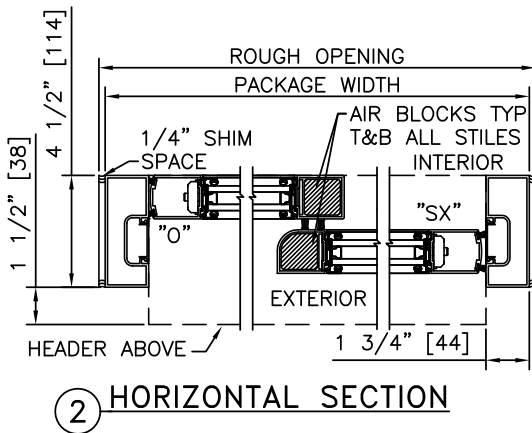


ELEVATION



NOTES

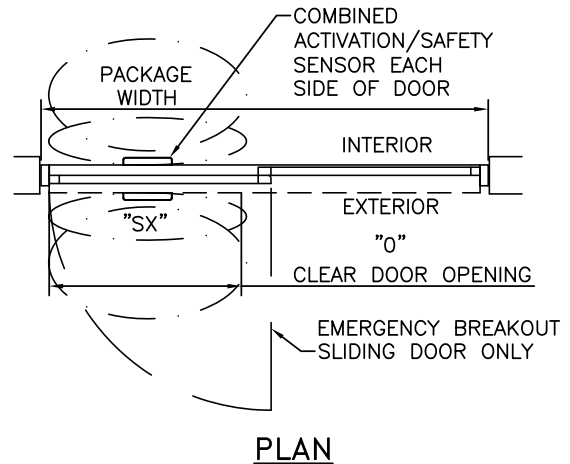
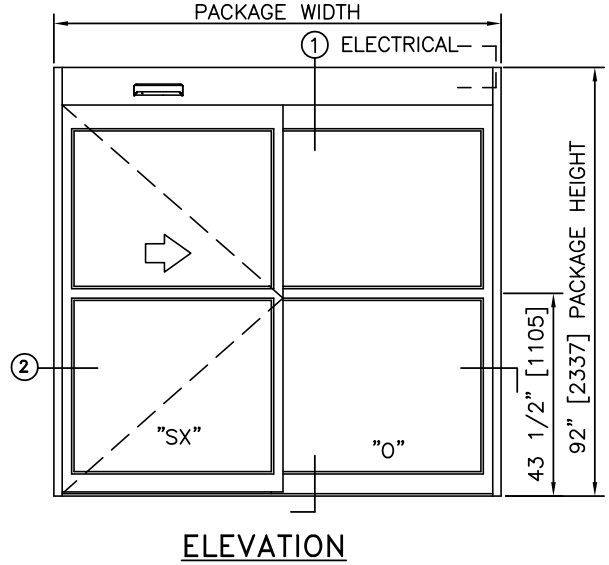
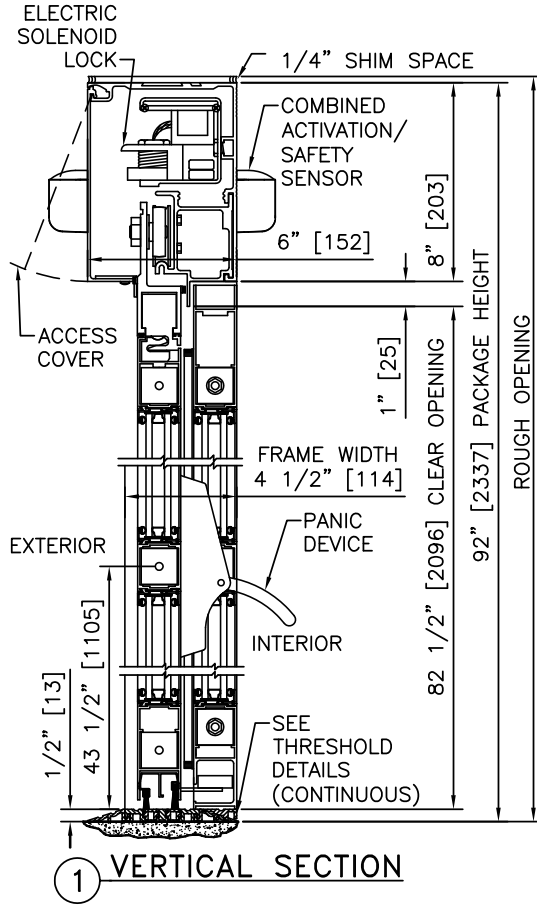
1. ELECTRICAL REQUIREMENTS: BY ELECTRICAL CONTRACTOR 120 VAC, 5 AMP MIN TO POWER OPERATOR
2. ROUGH OPENING SHALL PROVIDE 1/4"[6] SHIM SPACE ON SIDES AND TOP OF PACKAGE.
3. LIMITS OF ACTIVATION AND SAFETY ZONES ARE FOR REFERENCE ONLY; SEE ANSI/BHMA A156.10 FOR DETAILED REQUIREMENTS.
4. AIR INFILTRATION RATING: LESS THAN 1.0 CFM/FT<sup>2</sup> @ 1.57 PSF; PER ASTM E283 (NFRC 400), WITH GREENFIT SEALING SYSTEM.
5. SEE SPECIFICATIONS FOR ADDITIONAL INFORMATION.



TYPICAL PACKAGE DIMENSIONS (NARROW STILE)

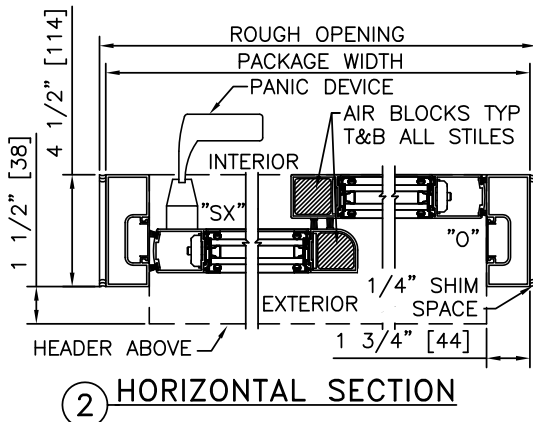
PACKAGE WIDTH	NOMINAL CLEAR DOOR OPENING	DOOR PANEL NOMINAL WIDTH	EMERGENCY BREAKOUT NOM. WIDTH
84"	35.3"	41.5"	39.0"
96"	41.3"	47.5"	45.0"
108"	47.3"	53.5"	51.0"





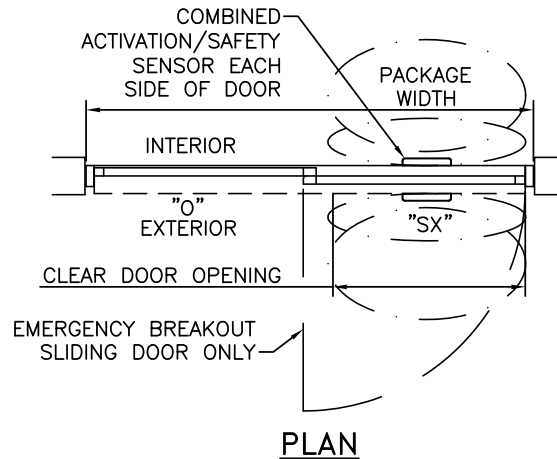
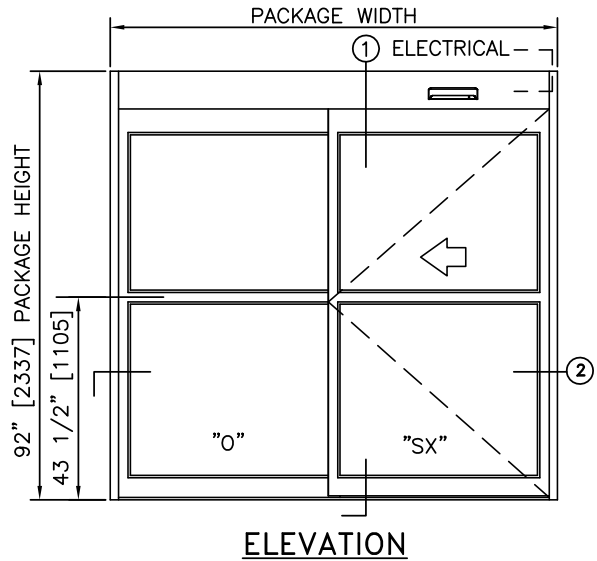
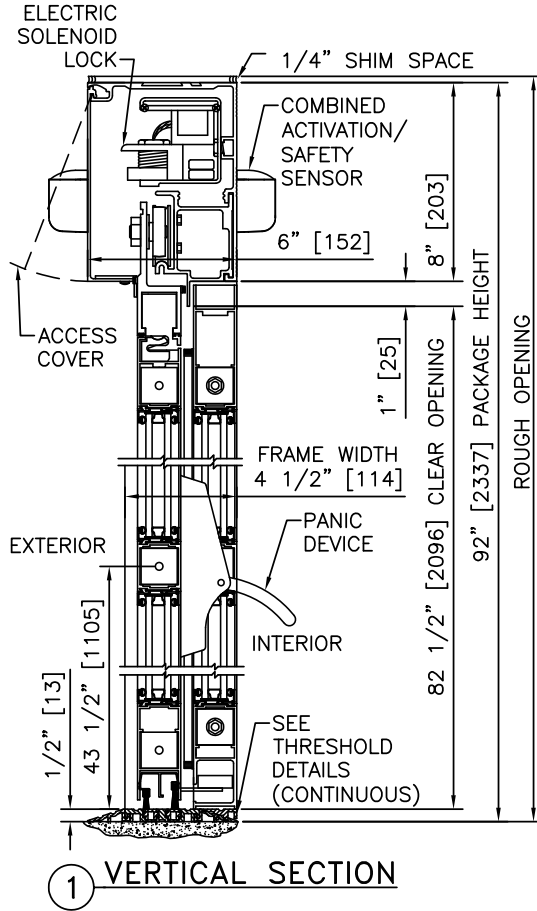
**NOTES**

1. ELECTRICAL REQUIREMENTS: BY ELECTRICAL CONTRACTOR
  - 1.1. 120 VAC, 5 AMP MIN TO POWER OPERATOR
  - 1.2. CONTROL CIRCUIT FROM SECURE ACTIVATION TO OPERATOR
2. ROUGH OPENING SHALL PROVIDE 1/4"[6] SHIM SPACE ON SIDES AND TOP OF PACKAGE.
3. LIMITS OF ACTIVATION AND SAFETY ZONES ARE FOR REFERENCE ONLY; SEE ANSI/BHMA A156.10 FOR DETAILED REQUIREMENTS.
4. AIR INFILTRATION RATING: LESS THAN 1.0 CFM/FT<sup>2</sup> @ 1.57 PSF; PER ASTM E283 (NFRC 400), WITH GREENFIT SEALING SYSTEM.
5. SEE SPECIFICATIONS FOR ADDITIONAL INFORMATION.



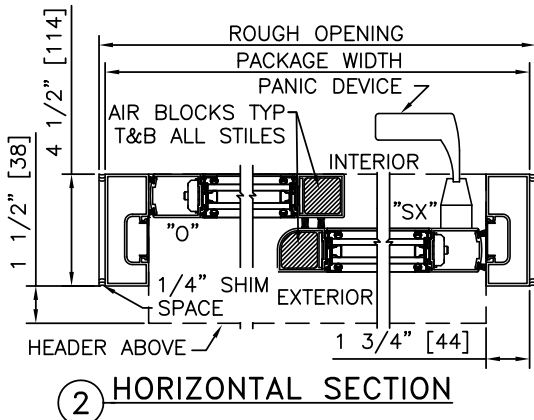
TYPICAL PACKAGE DIMENSIONS (NARROW STILE)

PACKAGE WIDTH	NOMINAL CLEAR DOOR OPENING	DOOR PANEL NOMINAL WIDTH	EMERGENCY BREAKOUT NOM. WIDTH
84"	35.3"	41.5"	39.0"
96"	41.3"	47.5"	45.0"
108"	47.3"	53.5"	51.0"



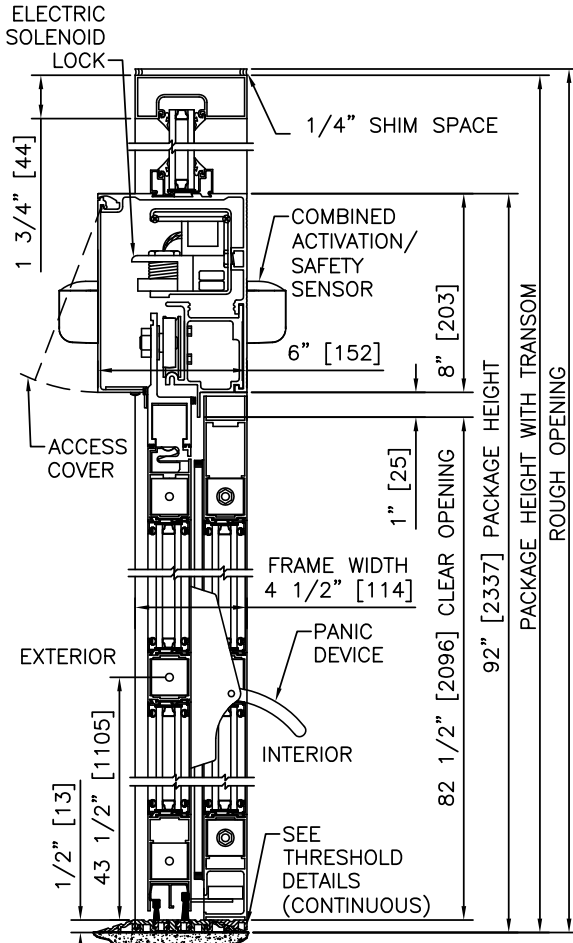
**NOTES**

1. ELECTRICAL REQUIREMENTS: BY ELECTRICAL CONTRACTOR
  - 1.1. 120 VAC, 5 AMP MIN TO POWER OPERATOR
  - 1.2. CONTROL CIRCUIT FROM SECURE ACTIVATION TO OPERATOR
2. ROUGH OPENING SHALL PROVIDE 1/4"[6] SHIM SPACE ON SIDES AND TOP OF PACKAGE.
3. LIMITS OF ACTIVATION AND SAFETY ZONES ARE FOR REFERENCE ONLY; SEE ANSI/BHMA A156.10 FOR DETAILED REQUIREMENTS.
4. AIR INFILTRATION RATING: LESS THAN 1.0 CFM/FT<sup>2</sup> @ 1.57 PSF; PER ASTM E283 (NFRC 400), WITH GREENFIT SEALING SYSTEM.
5. SEE SPECIFICATIONS FOR ADDITIONAL INFORMATION.

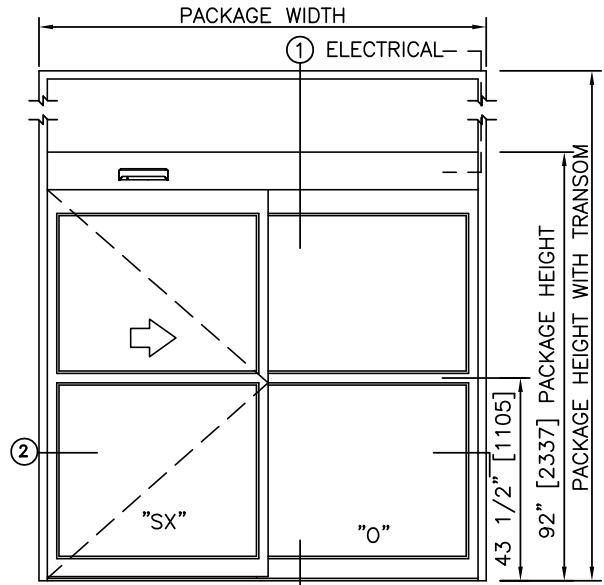


TYPICAL PACKAGE DIMENSIONS (NARROW STILE)			
PACKAGE WIDTH	NOMINAL CLEAR DOOR OPENING	DOOR PANEL NOMINAL WIDTH	EMERGENCY BREAKOUT NOM. WIDTH
84"	35.3"	41.5"	39.0"
96"	41.3"	47.5"	45.0"
108"	47.3"	53.5"	51.0"

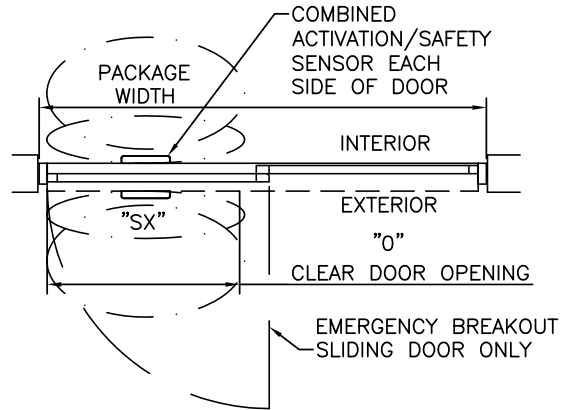




1 VERTICAL SECTION



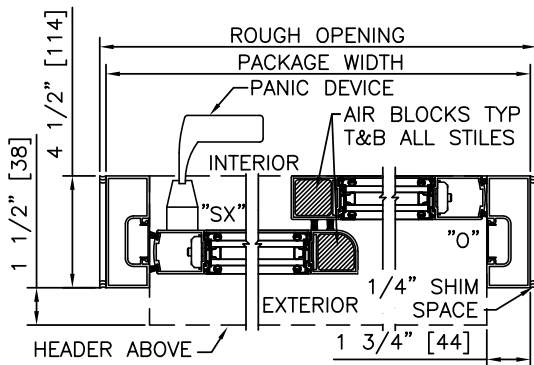
ELEVATION



PLAN

NOTES

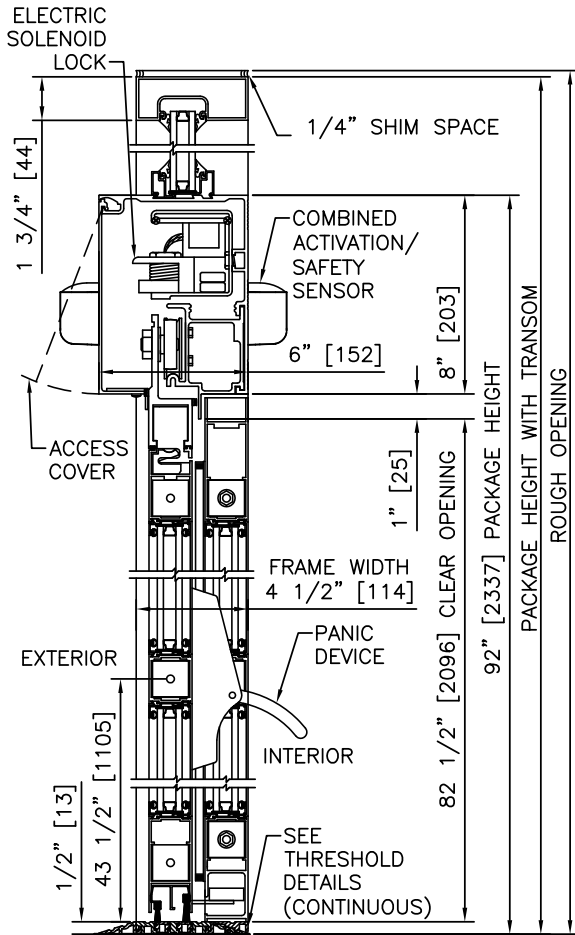
1. ELECTRICAL REQUIREMENTS: BY ELECTRICAL CONTRACTOR
  - 1.1. 120 VAC, 5 AMP MIN TO POWER OPERATOR
  - 1.2. CONTROL CIRCUIT FROM SECURE ACTIVATION TO OPERATOR
2. ROUGH OPENING SHALL PROVIDE 1/4"[6] SHIM SPACE ON SIDES AND TOP OF PACKAGE.
3. LIMITS OF ACTIVATION AND SAFETY ZONES ARE FOR REFERENCE ONLY; SEE ANSI/BHMA A156.10 FOR DETAILED REQUIREMENTS.
4. AIR INFILTRATION RATING: LESS THAN 1.0 CFM/FT<sup>2</sup> @ 1.57 PSF; PER ASTM E283 (NFRC 400), WITH GREENFIT SEALING SYSTEM.
5. SEE SPECIFICATIONS FOR ADDITIONAL INFORMATION.



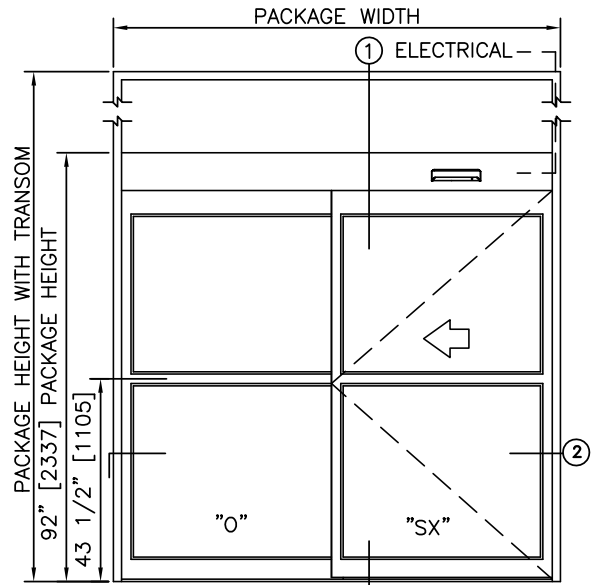
2 HORIZONTAL SECTION

TYPICAL PACKAGE DIMENSIONS (NARROW STILE)

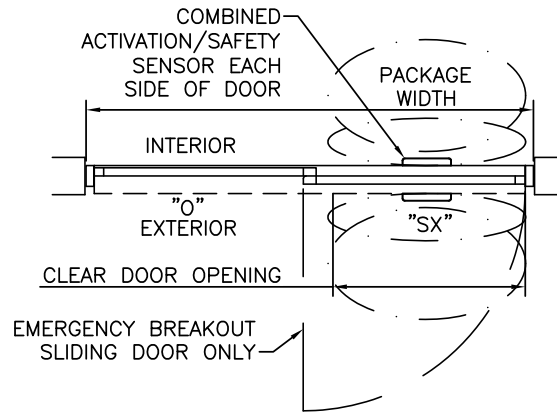
PACKAGE WIDTH	NOMINAL CLEAR DOOR OPENING	DOOR PANEL NOMINAL WIDTH	EMERGENCY BREAKOUT NOM. WIDTH
84"	35.3"	41.5"	39.0"
96"	41.3"	47.5"	45.0"
108"	47.3"	53.5"	51.0"



1 VERTICAL SECTION



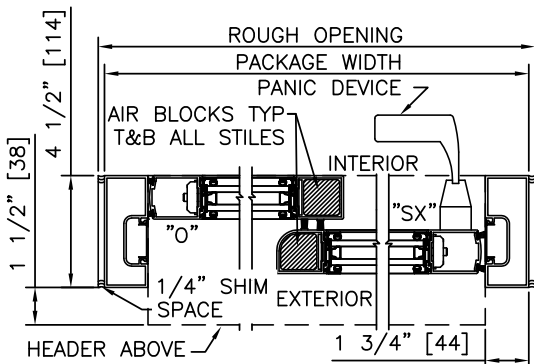
ELEVATION



PLAN

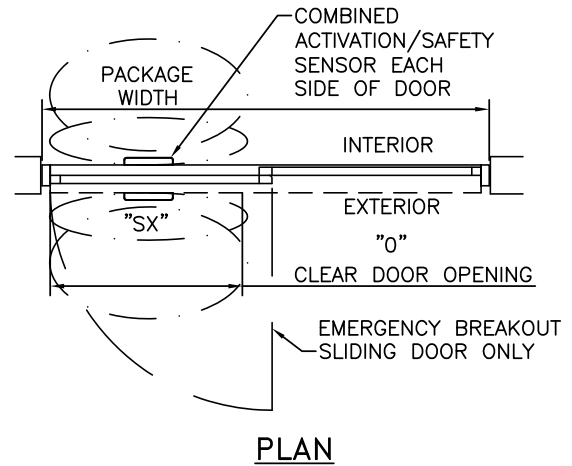
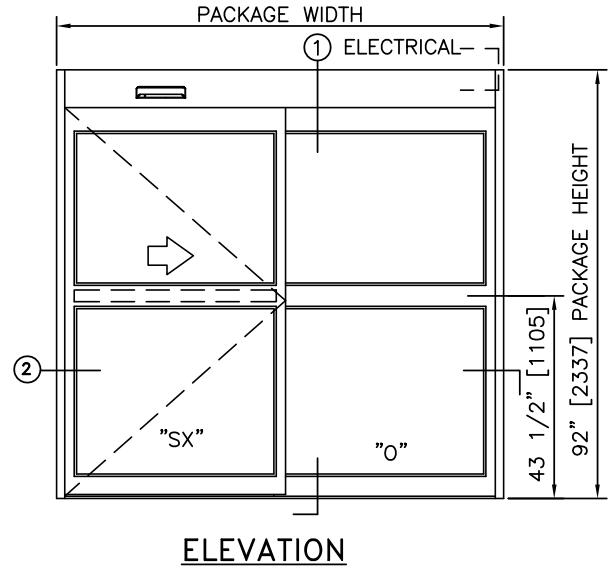
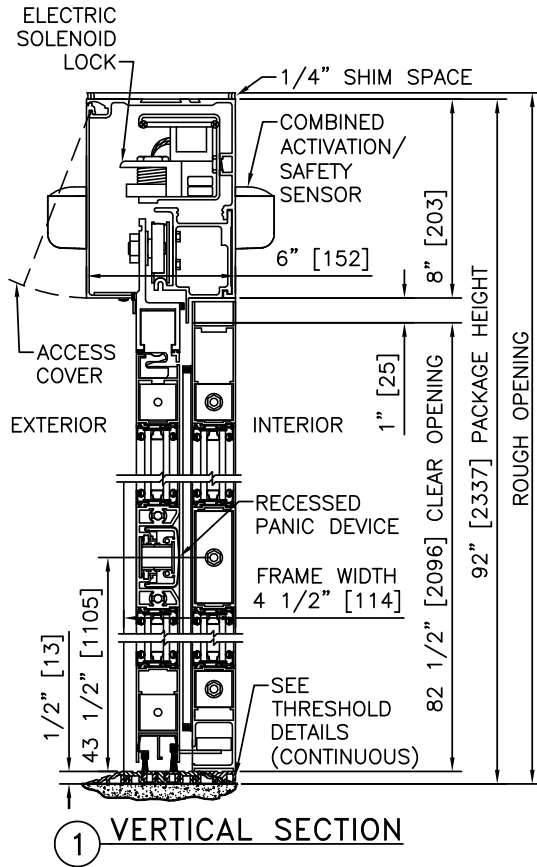
NOTES

1. ELECTRICAL REQUIREMENTS: BY ELECTRICAL CONTRACTOR
  - 1.1. 120 VAC, 5 AMP MIN TO POWER OPERATOR
  - 1.2. CONTROL CIRCUIT FROM SECURE ACTIVATION TO OPERATOR
2. ROUGH OPENING SHALL PROVIDE 1/4"[6] SHIM SPACE ON SIDES AND TOP OF PACKAGE.
3. LIMITS OF ACTIVATION AND SAFETY ZONES ARE FOR REFERENCE ONLY; SEE ANSI/BHMA A156.10 FOR DETAILED REQUIREMENTS.
4. AIR INFILTRATION RATING: LESS THAN 1.0 CFM/FT<sup>2</sup> @ 1.57 PSF; PER ASTM E283 (NFRC 400), WITH GREENFIT SEALING SYSTEM.
5. SEE SPECIFICATIONS FOR ADDITIONAL INFORMATION.



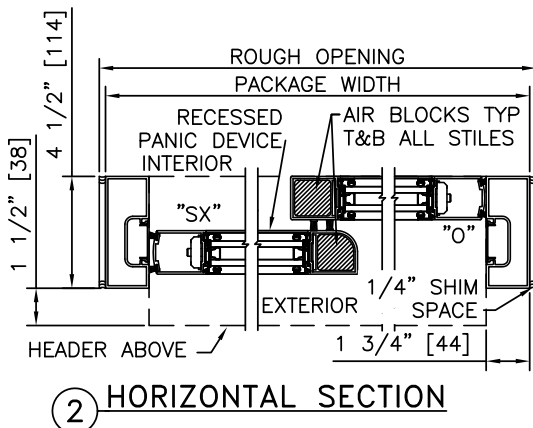
2 HORIZONTAL SECTION

TYPICAL PACKAGE DIMENSIONS (NARROW STILE)			
PACKAGE WIDTH	NOMINAL CLEAR DOOR OPENING	DOOR PANEL NOMINAL WIDTH	EMERGENCY BREAKOUT NOM. WIDTH
84"	35.3"	41.5"	39.0"
96"	41.3"	47.5"	45.0"
108"	47.3"	53.5"	51.0"

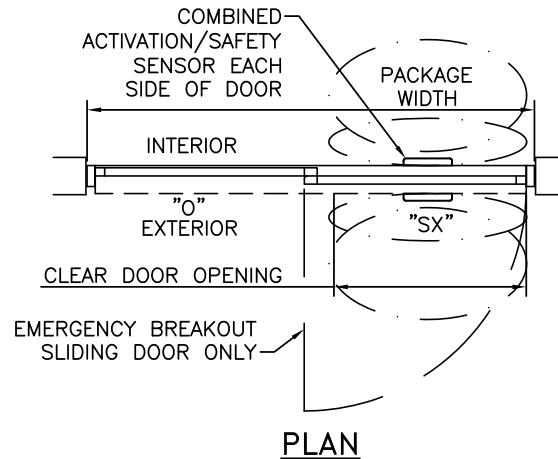
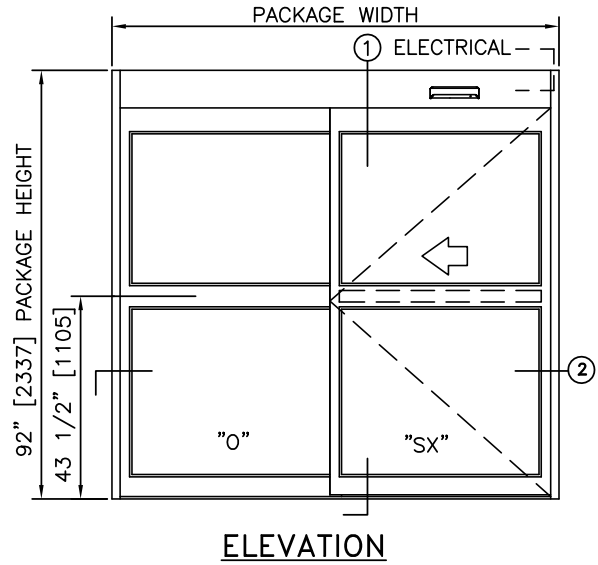
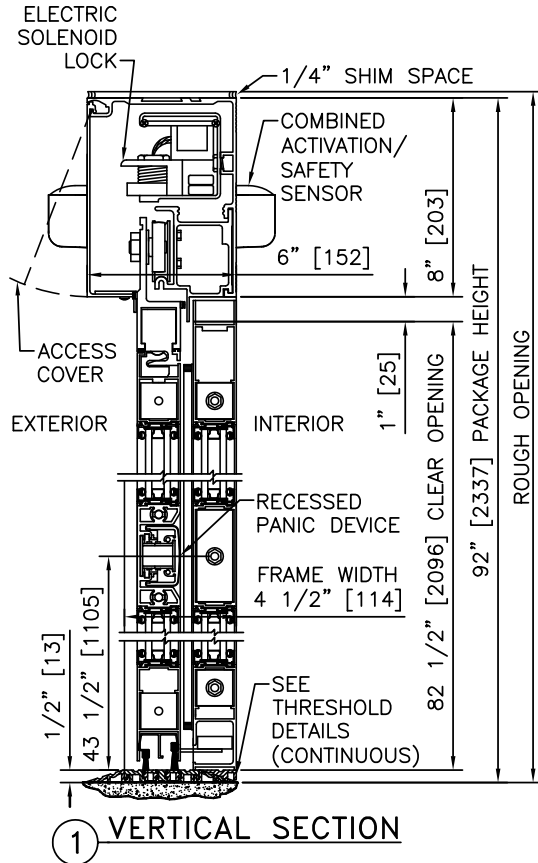


**NOTES**

1. ELECTRICAL REQUIREMENTS: BY ELECTRICAL CONTRACTOR
  - 1.1. 120 VAC, 5 AMP MIN TO POWER OPERATOR
  - 1.2. CONTROL CIRCUIT FROM SECURE ACTIVATION TO OPERATOR
2. ROUGH OPENING SHALL PROVIDE 1/4"[6] SHIM SPACE ON SIDES AND TOP OF PACKAGE.
3. LIMITS OF ACTIVATION AND SAFETY ZONES ARE FOR REFERENCE ONLY; SEE ANSI/BHMA A156.10 FOR DETAILED REQUIREMENTS.
4. AIR INFILTRATION RATING: LESS THAN 1.0 CFM/FT<sup>2</sup> @ 1.57 PSF; PER ASTM E283 (NFRC 400), WITH GREENFIT SEALING SYSTEM.
5. SEE SPECIFICATIONS FOR ADDITIONAL INFORMATION.

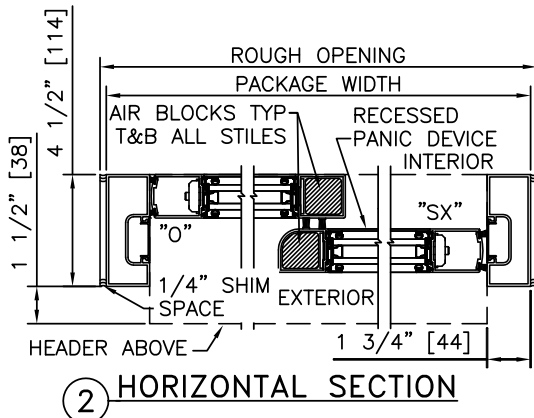


TYPICAL PACKAGE DIMENSIONS (NARROW STILE)			
PACKAGE WIDTH	NOMINAL CLEAR DOOR OPENING	DOOR PANEL NOMINAL WIDTH	EMERGENCY BREAKOUT NOM. WIDTH
84"	35.3"	41.5"	39.0"
96"	41.3"	47.5"	45.0"
108"	47.3"	53.5"	51.0"

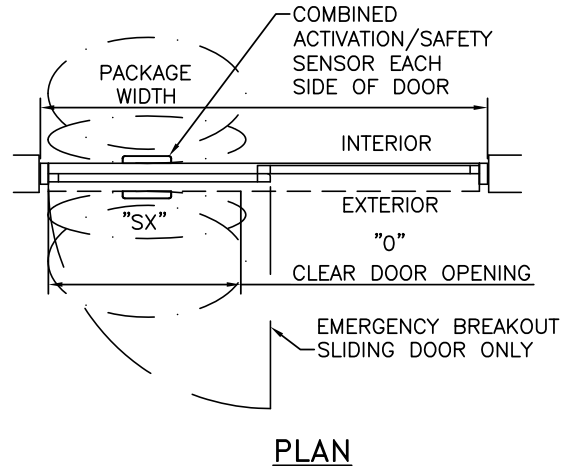
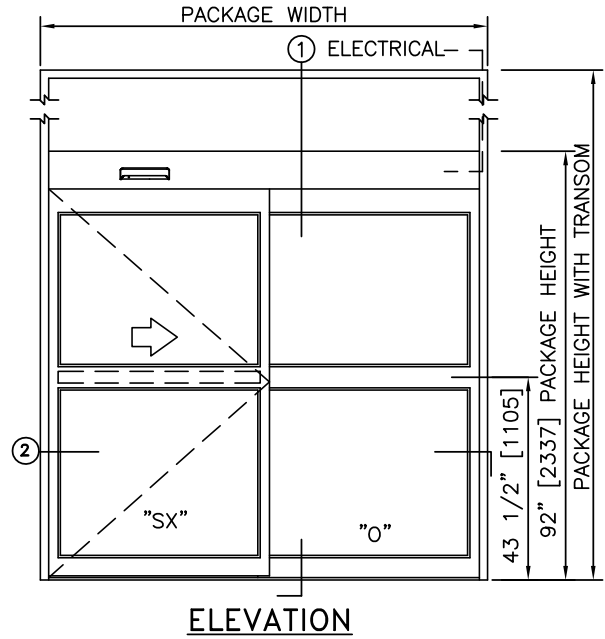
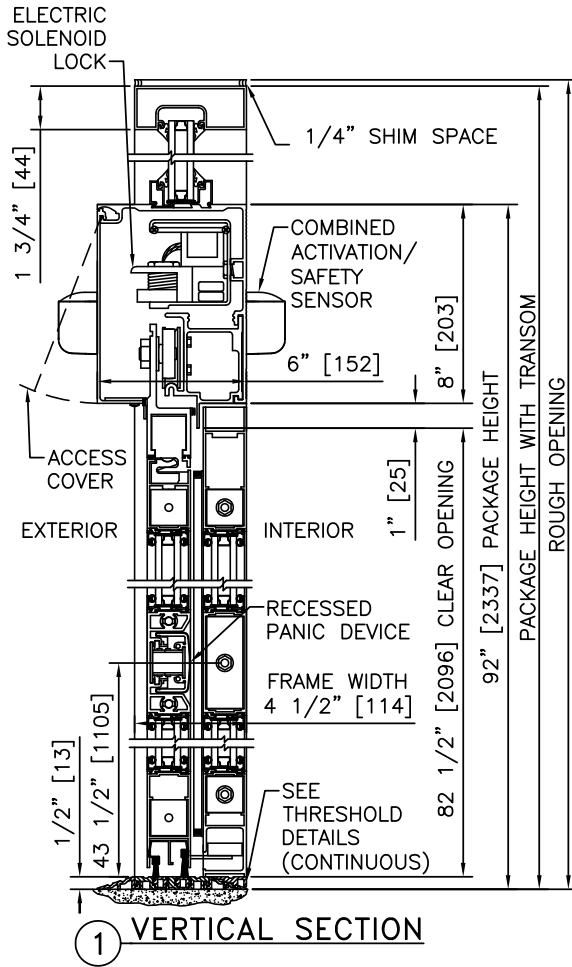


**NOTES**

1. ELECTRICAL REQUIREMENTS: BY ELECTRICAL CONTRACTOR
  - 1.1. 120 VAC, 5 AMP MIN TO POWER OPERATOR
  - 1.2. CONTROL CIRCUIT FROM SECURE ACTIVATION TO OPERATOR
2. ROUGH OPENING SHALL PROVIDE 1/4" [6] SHIM SPACE ON SIDES AND TOP OF PACKAGE.
3. LIMITS OF ACTIVATION AND SAFETY ZONES ARE FOR REFERENCE ONLY; SEE ANSI/BHMA A156.10 FOR DETAILED REQUIREMENTS.
4. AIR INFILTRATION RATING: LESS THAN 1.0 CFM/FT<sup>2</sup> @ 1.57 PSF; PER ASTM E283 (NFRC 400), WITH GREENFIT SEALING SYSTEM.
5. SEE SPECIFICATIONS FOR ADDITIONAL INFORMATION.

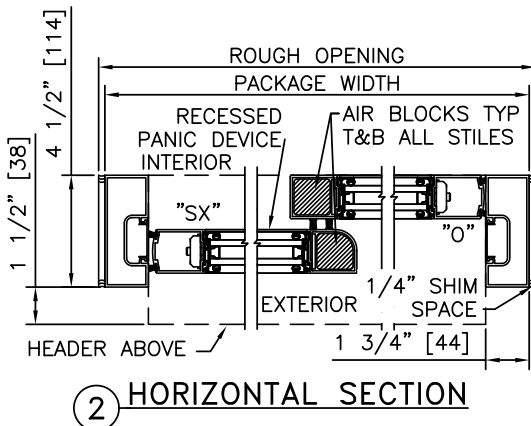


TYPICAL PACKAGE DIMENSIONS (NARROW STILE)			
PACKAGE WIDTH	NOMINAL CLEAR DOOR OPENING	DOOR PANEL NOMINAL WIDTH	EMERGENCY BREAKOUT NOM. WIDTH
84"	35.3"	41.5"	39.0"
96"	41.3"	47.5"	45.0"
108"	47.3"	53.5"	51.0"



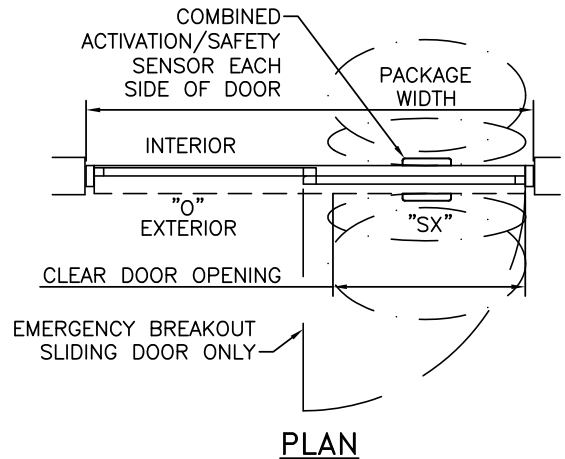
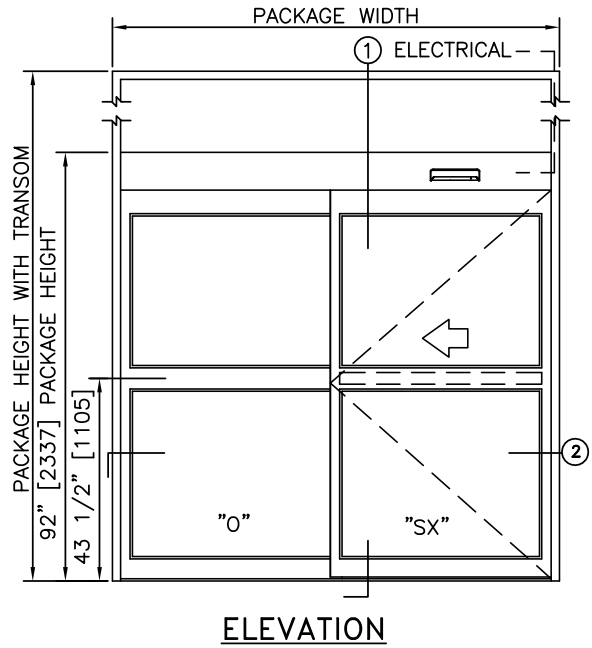
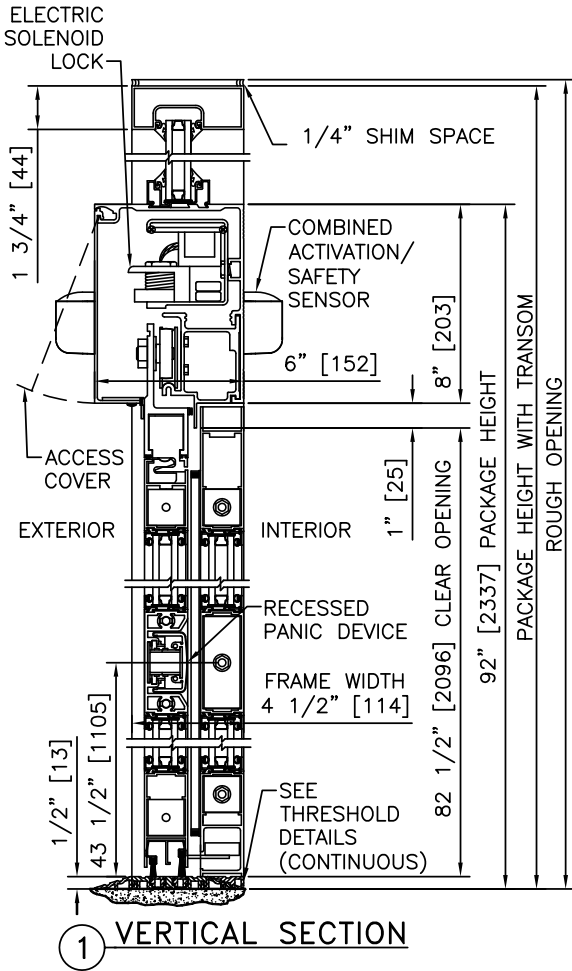
**NOTES**

1. ELECTRICAL REQUIREMENTS: BY ELECTRICAL CONTRACTOR
  - 1.1. 120 VAC, 5 AMP MIN TO POWER OPERATOR
  - 1.2. CONTROL CIRCUIT FROM SECURE ACTIVATION TO OPERATOR
2. ROUGH OPENING SHALL PROVIDE 1/4"[6] SHIM SPACE ON SIDES AND TOP OF PACKAGE.
3. LIMITS OF ACTIVATION AND SAFETY ZONES ARE FOR REFERENCE ONLY; SEE ANSI/BHMA A156.10 FOR DETAILED REQUIREMENTS.
4. AIR INFILTRATION RATING: LESS THAN 1.0 CFM/FT<sup>2</sup> @ 1.57 PSF; PER ASTM E283 (NFRC 400), WITH GREENFIT SEALING SYSTEM.
5. SEE SPECIFICATIONS FOR ADDITIONAL INFORMATION.



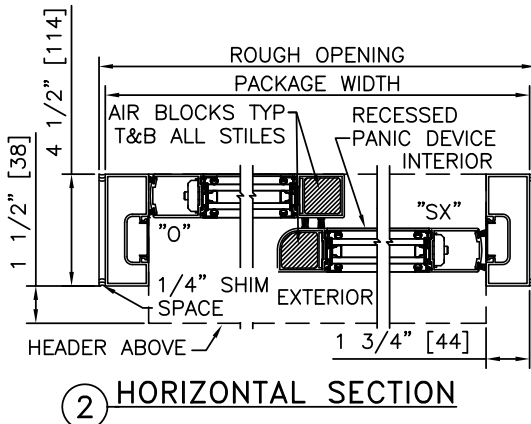
**TYPICAL PACKAGE DIMENSIONS (NARROW STILE)**

PACKAGE WIDTH	NOMINAL CLEAR DOOR OPENING	DOOR PANEL NOMINAL WIDTH	EMERGENCY BREAKOUT NOM. WIDTH
84"	35.3"	41.5"	39.0"
96"	41.3"	47.5"	45.0"
108"	47.3"	53.5"	51.0"



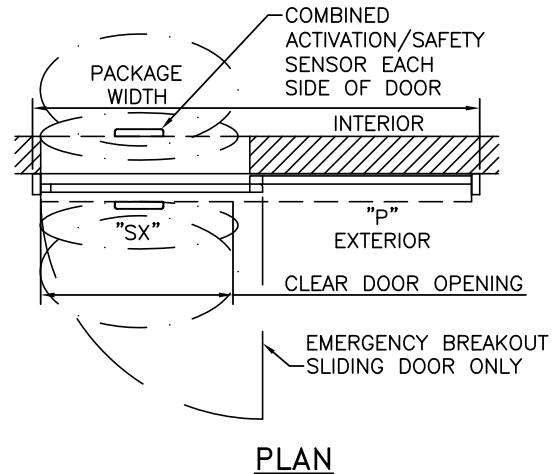
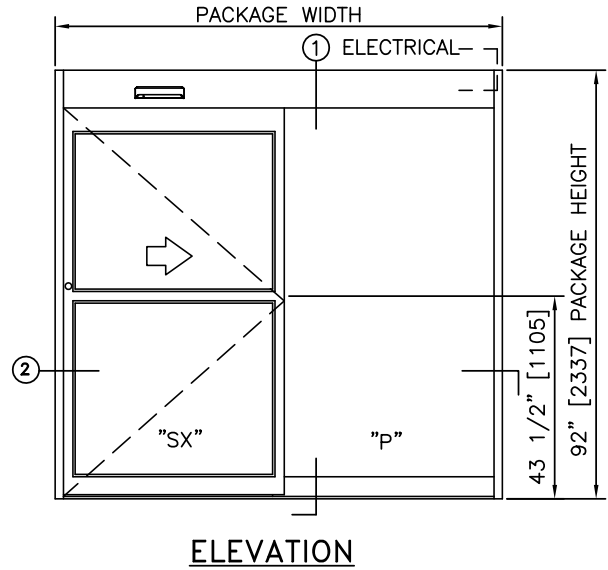
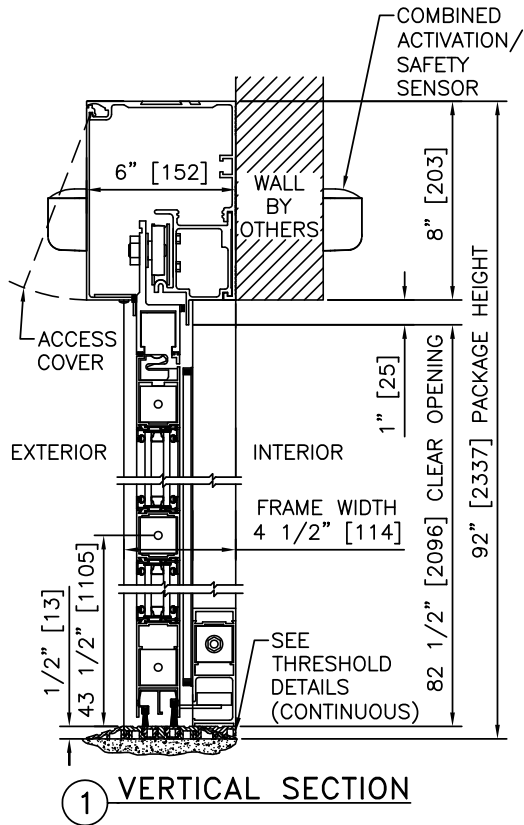
**NOTES**

1. ELECTRICAL REQUIREMENTS: BY ELECTRICAL CONTRACTOR
  - 1.1. 120 VAC, 5 AMP MIN TO POWER OPERATOR
  - 1.2. CONTROL CIRCUIT FROM SECURE ACTIVATION TO OPERATOR
2. ROUGH OPENING SHALL PROVIDE 1/4"[6] SHIM SPACE ON SIDES AND TOP OF PACKAGE.
3. LIMITS OF ACTIVATION AND SAFETY ZONES ARE FOR REFERENCE ONLY; SEE ANSI/BHMA A156.10 FOR DETAILED REQUIREMENTS.
4. AIR INFILTRATION RATING: LESS THAN 1.0 CFM/FT<sup>2</sup> @ 1.57 PSF; PER ASTM E283 (NFRC 400), WITH GREENFIT SEALING SYSTEM.
5. SEE SPECIFICATIONS FOR ADDITIONAL INFORMATION.



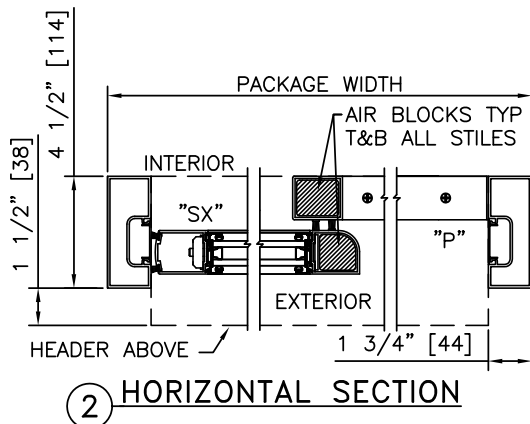
TYPICAL PACKAGE DIMENSIONS (NARROW STILE)			
PACKAGE WIDTH	NOMINAL CLEAR DOOR OPENING	DOOR PANEL NOMINAL WIDTH	EMERGENCY BREAKOUT NOM. WIDTH
84"	35.3"	41.5"	39.0"
96"	41.3"	47.5"	45.0"
108"	47.3"	53.5"	51.0"





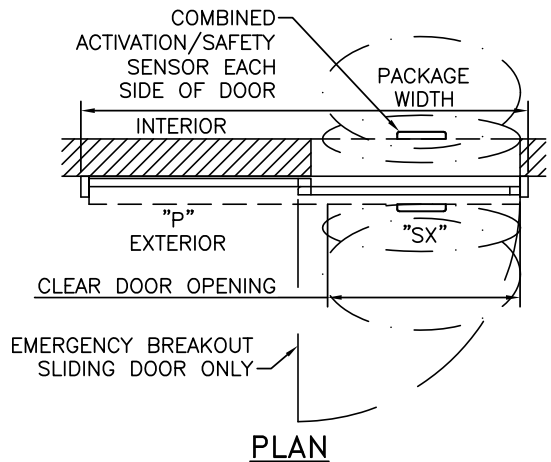
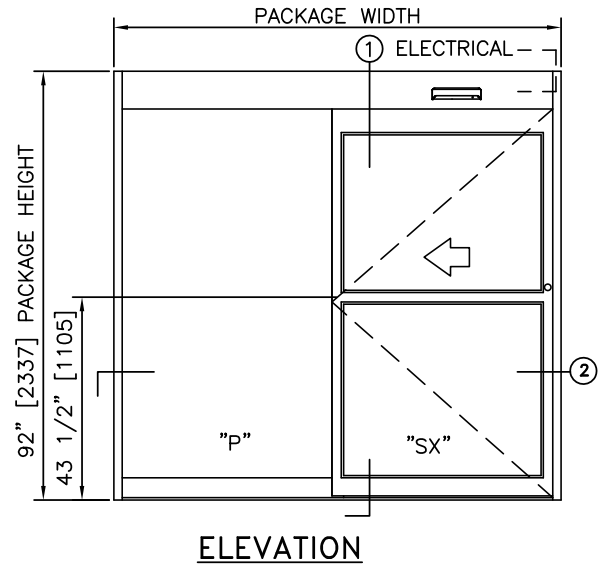
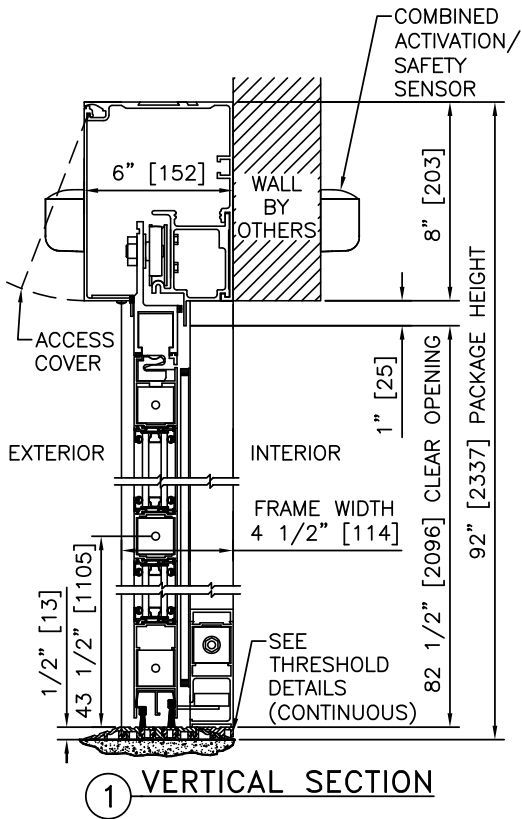
**NOTES**

1. ELECTRICAL REQUIREMENTS: BY ELECTRICAL CONTRACTOR
2. 120 VAC, 5 AMP MIN TO POWER OPERATOR
3. LIMITS OF ACTIVATION AND SAFETY ZONES ARE FOR REFERENCE ONLY; SEE ANSI/BHMA A156.10 FOR DETAILED REQUIREMENTS.
4. AIR INFILTRATION RATING: LESS THAN 1.0 CFM/FT<sup>2</sup> @ 1.57 PSF; PER ASTM E283 (NFRC 400), WITH GREENFIT SEALING SYSTEM.
5. SEE SPECIFICATIONS FOR ADDITIONAL INFORMATION.



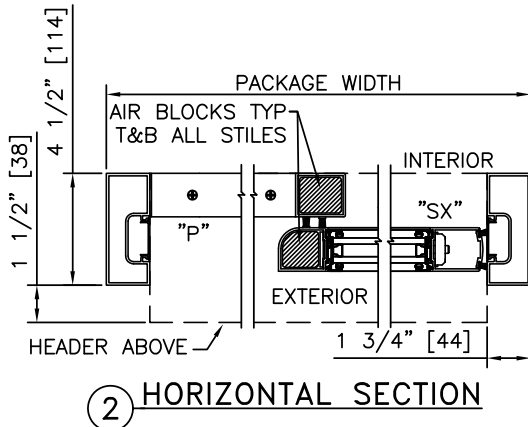
TYPICAL PACKAGE DIMENSIONS (NARROW STILE)

PACKAGE WIDTH	NOMINAL CLEAR DOOR OPENING	DOOR PANEL NOMINAL WIDTH	EMERGENCY BREAKOUT NOM. WIDTH
84"	35.3"	41.5"	39.0"
96"	41.3"	47.5"	45.0"
108"	47.3"	53.5"	51.0"



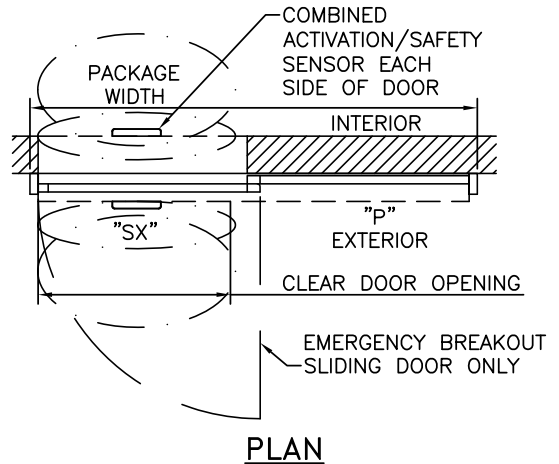
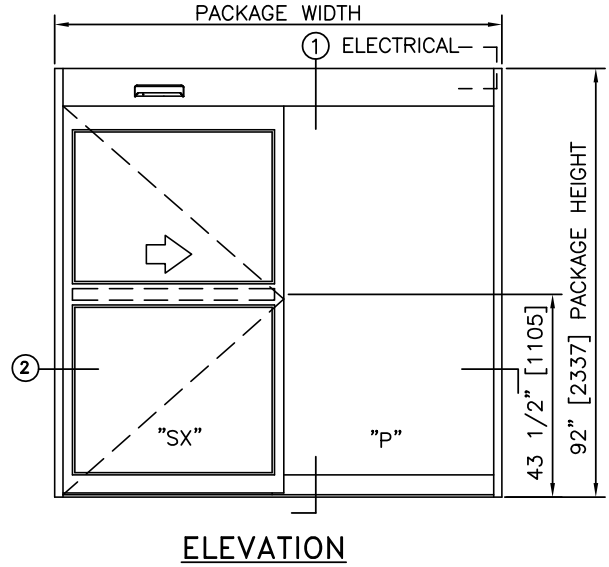
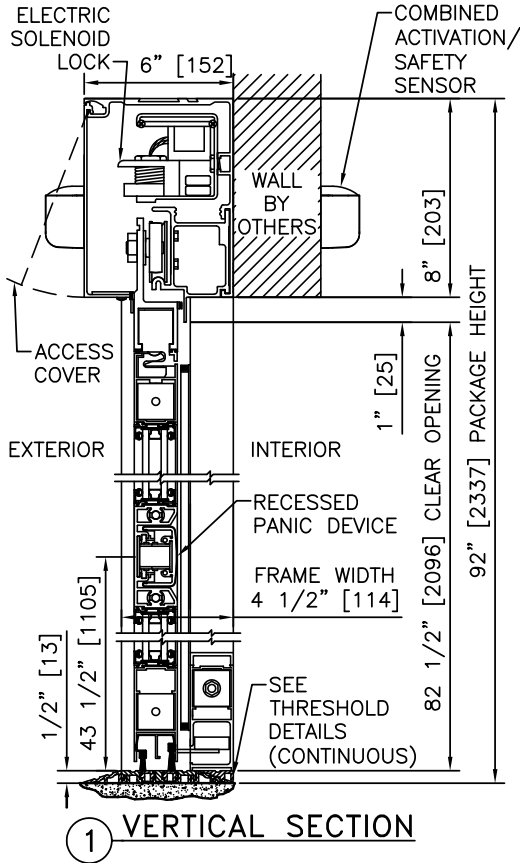
**NOTES**

1. ELECTRICAL REQUIREMENTS: BY ELECTRICAL CONTRACTOR
2. 120 VAC, 5 AMP MIN TO POWER OPERATOR
3. LIMITS OF ACTIVATION AND SAFETY ZONES ARE FOR REFERENCE ONLY; SEE ANSI/BHMA A156.10 FOR DETAILED REQUIREMENTS.
4. AIR INFILTRATION RATING: LESS THAN 1.0 CFM/FT<sup>2</sup> @ 1.57 PSF; PER ASTM E283 (NFRC 400), WITH GREENFIT SEALING SYSTEM.
5. SEE SPECIFICATIONS FOR ADDITIONAL INFORMATION.



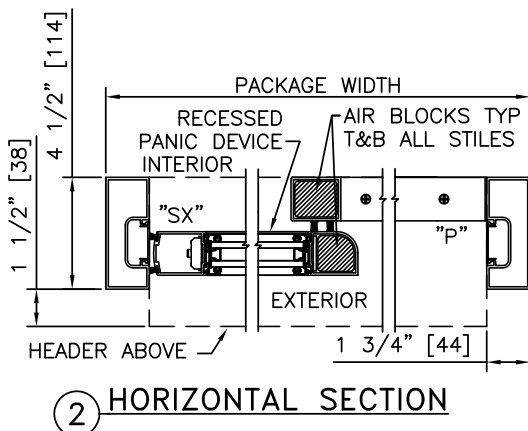
TYPICAL PACKAGE DIMENSIONS (NARROW STILE)

PACKAGE WIDTH	NOMINAL CLEAR DOOR OPENING	DOOR PANEL NOMINAL WIDTH	EMERGENCY BREAKOUT NOM. WIDTH
84"	35.3"	41.5"	39.0"
96"	41.3"	47.5"	45.0"
108"	47.3"	53.5"	51.0"



**NOTES**

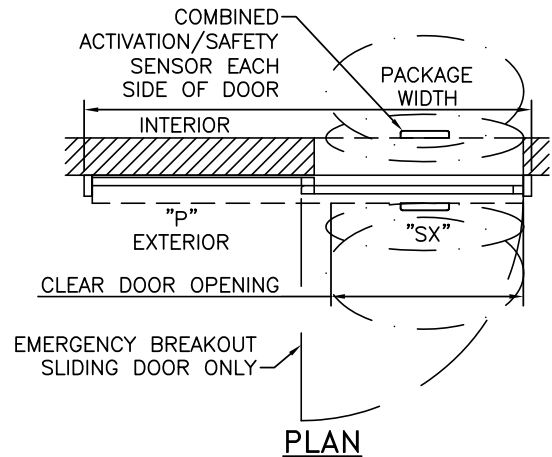
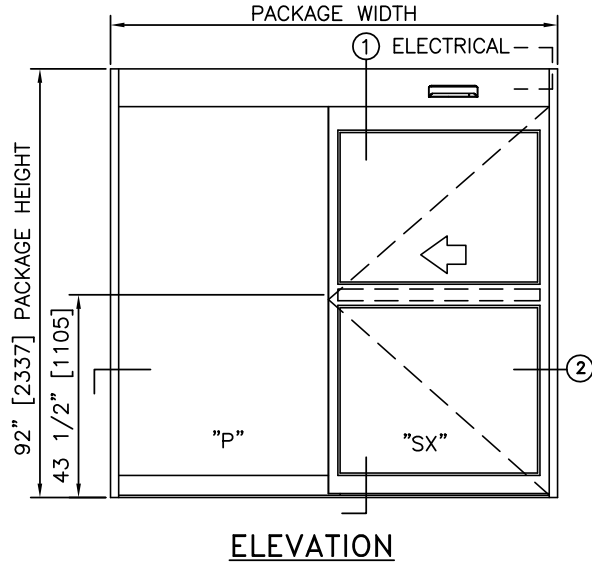
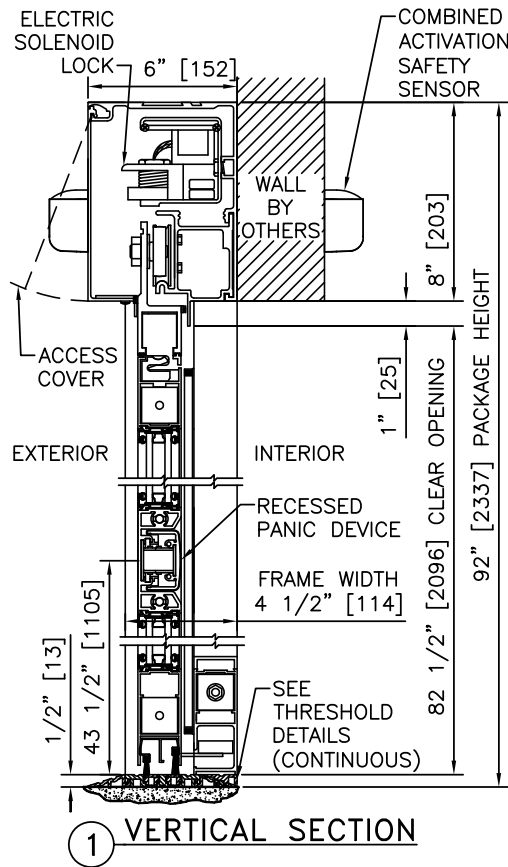
1. ELECTRICAL REQUIREMENTS: BY ELECTRICAL CONTRACTOR
  - 1.1. 120 VAC, 5 AMP MIN TO POWER OPERATOR
  - 1.2. CONTROL CIRCUIT FROM SECURE ACTIVATION TO OPERATOR
2. LIMITS OF ACTIVATION AND SAFETY ZONES ARE FOR REFERENCE ONLY; SEE ANSI/BHMA A156.10 FOR DETAILED REQUIREMENTS.
3. AIR INFILTRATION RATING: LESS THAN 1.0 CFM/FT<sup>2</sup> @ 1.57 PSF; PER ASTM E283 (NFRC 400), WITH GREENFIT SEALING SYSTEM.
4. SEE SPECIFICATIONS FOR ADDITIONAL INFORMATION.



TYPICAL PACKAGE DIMENSIONS (NARROW STILE)

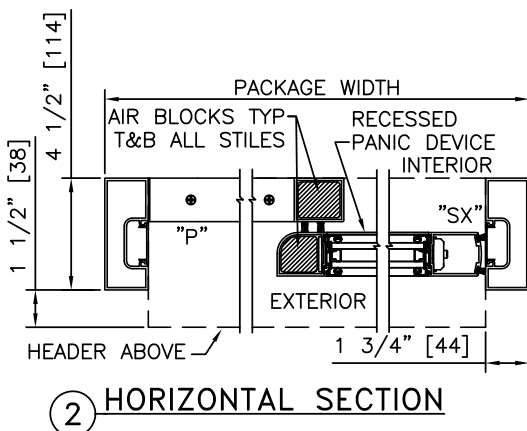
PACKAGE WIDTH	NOMINAL CLEAR DOOR OPENING	DOOR PANEL NOMINAL WIDTH	EMERGENCY BREAKOUT NOM. WIDTH
84"	35.3"	41.5"	39.0"
96"	41.3"	47.5"	45.0"
108"	47.3"	53.5"	51.0"

SINGLE SLIDE LEFT HAND WITH ACCESS CONTROL, RECESSED, SURFACE APPLIED	
PROJECT INFORMATION	
PROJECT NAME:	
LOCATION:	
DOOR NUMBER(S):	
DATE:	SHEET: OF



**NOTES**

- ELECTRICAL REQUIREMENTS: BY ELECTRICAL CONTRACTOR
  - 120 VAC, 5 AMP MIN TO POWER OPERATOR
  - CONTROL CIRCUIT FROM SECURE ACTIVATION TO OPERATOR
- LIMITS OF ACTIVATION AND SAFETY ZONES ARE FOR REFERENCE ONLY; SEE ANSI/BHMA A156.10 FOR DETAILED REQUIREMENTS.
- AIR INFILTRATION RATING: LESS THAN 1.0 CFM/FT<sup>2</sup> @ 1.57 PSF; PER ASTM E283 (NFRC 400), WITH GREENFIT SEALING SYSTEM.
- SEE SPECIFICATIONS FOR ADDITIONAL INFORMATION.



TYPICAL PACKAGE DIMENSIONS (NARROW STILE)			
PACKAGE WIDTH	NOMINAL CLEAR DOOR OPENING	DOOR PANEL NOMINAL WIDTH	EMERGENCY BREAKOUT NOM. WIDTH
84"	35.3"	41.5"	39.0"
96"	41.3"	47.5"	45.0"
108"	47.3"	53.5"	51.0"