



SLIDING AUTOMATIC ENTRANCES: DURA-GUARD™ 2000, SINGLE SLIDE

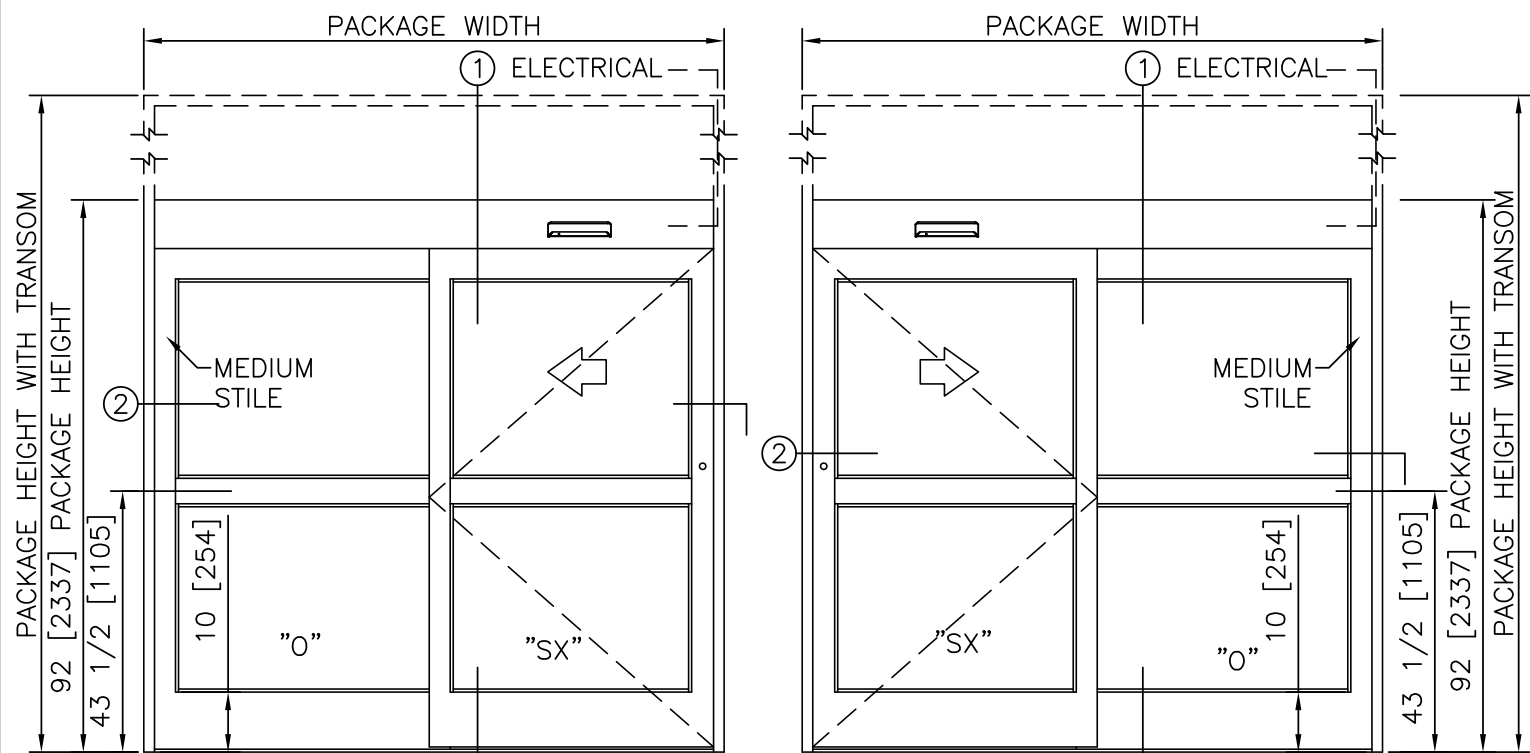
1.19 - SINGLE SLIDE WITH OPTIONAL TRANSOM

- **1.19.01 - Single Slide Right Hand**
- **1.19.02 - Single Slide Left Hand**
- **1.19.03 - Single Slide Right Hand with Transom**
- **1.19.04 - Single Slide Right Left with Transom**
- **1.19.05 - Single Slide Right Hand with Access Control, Recessed**
- **1.19.06 - Single Slide Left Hand with Access Control, Recessed**
- **1.19.07 - Single Slide Right Hand with Transom & Access Control, Recessed**
- **1.19.08 - Single Slide Left Hand with Transom & Access Control, Recessed**

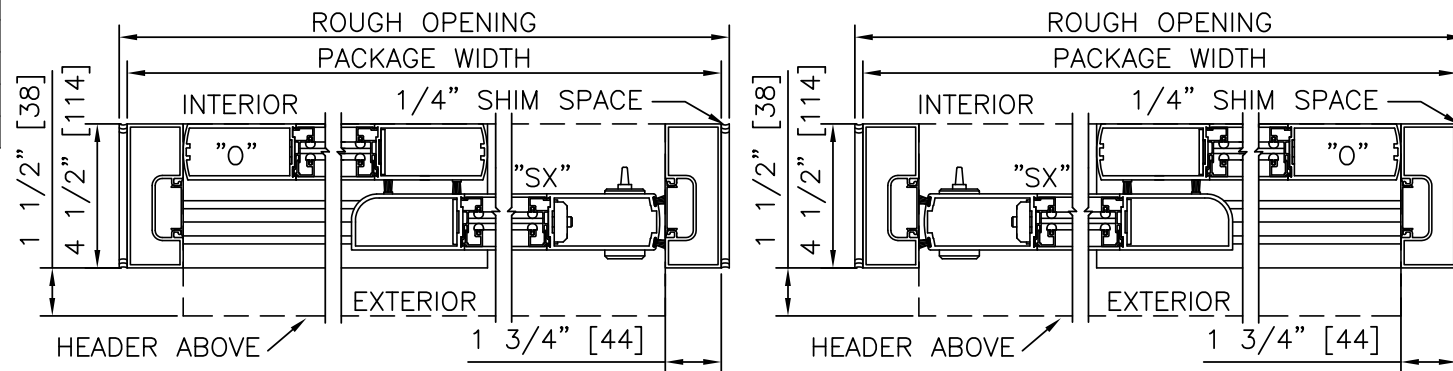
STANLEY
Access Technologies

DURA-GUARD
2000
SERIES

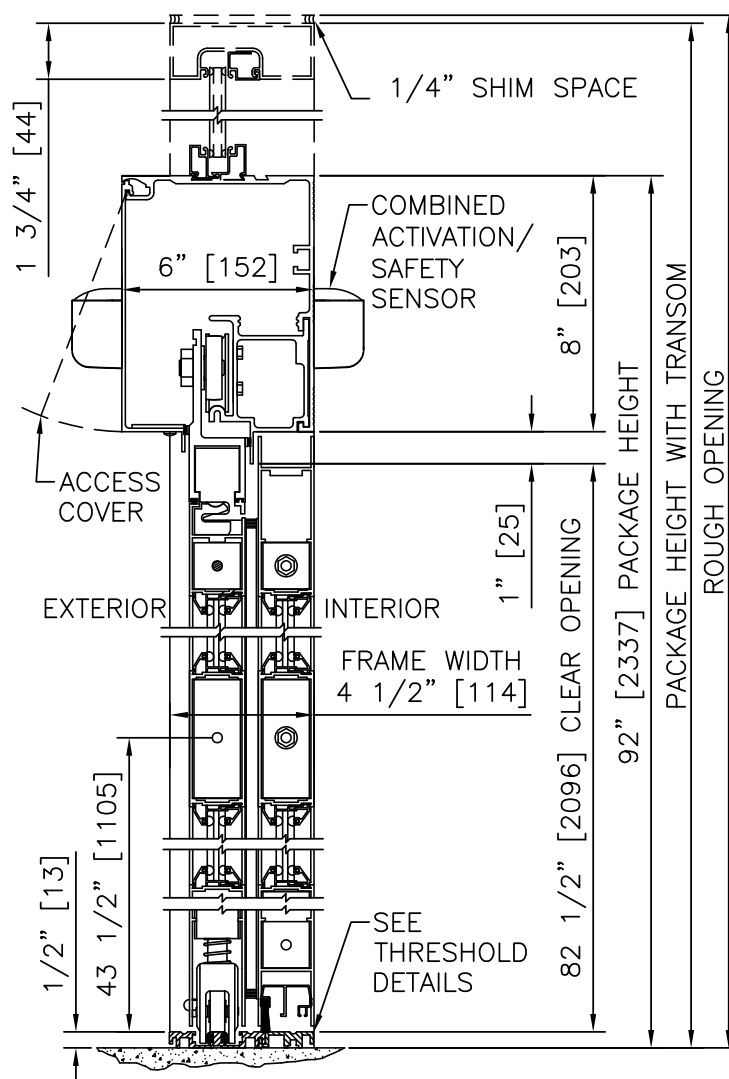
SINGLE SLIDE WITH OPTIONAL TRANSOM	
PROJECT INFORMATION	
PROJECT NAME: HOME DEPOT	
LOCATION: ATLANTA, GA	
DOOR NUMBER(S): TYPICAL	
DATE: 11/05/2013	SHEET: 1 OF 2



ELEVATION VIEW
SCALE: 3/8" = 1'-0"



HORIZONTAL SECTION
SCALE: 2" = 1'-0"



VERTICAL SECTION
SCALE: 2" = 1'-0"

- PRODUCT OPTIONS**
- TRANSOM
 - YES (WHERE SCHEDULED)
 - VERTICALS 1 2 3
 - FINISH
 - ANODIZED CLEAR CL2
 - ANODIZED DK BRONZE
 - CUSTOM
 - LOCKING
 - 2-POINT
 - LOCK POSITION INDICATOR
 - ACCESS CONTROL (PANIC)
 - 3-POINT
 - STILES
 - MEDIUM
 - BOTTOM RAILS
 - STANDARD 10"
 - THRESHOLDS
 - SQ/BVL (EXT)
 - DBL BVL
 - ANGLE/FLAT
 - SQ/BVL (INT)
 - RECESSED
 - ACTIVATION/SAFETY
 - 2 COMBINED ACTIVATION/SAFETY SENSORS
 - OTHER OPTIONS
 - ROTARY CTRL SWITCH
 - UNINTERRUPTIBLE POWER SUPPLY
 - FLY OPEN BOX
 - WIND DAMPERS
 - PANEL CLOSERS
 - ALARM CONTACTS
 - DUAL DOOR POSITION SWITCH
 - DUAL MOTOR DRIVE
 - CRASH BARS
 - KICK PLATES/DIAMOND PLATE
 - KEYED

BI-PART FORMULAS - MEDIUM STILE
 PACKAGE WIDTH = 2 X CLEAR DOOR OPENING + 17.8"
 CLEAR DOOR OPENING = 1/2 PACKAGE WIDTH - 8.9"
 EMERGENCY BREAKOUT WIDTH = CLEAR DOOR OPENING + 5.1"
 DOOR PANEL WIDTH = 1/2 PACKAGE WIDTH + 0.2"

NOTES

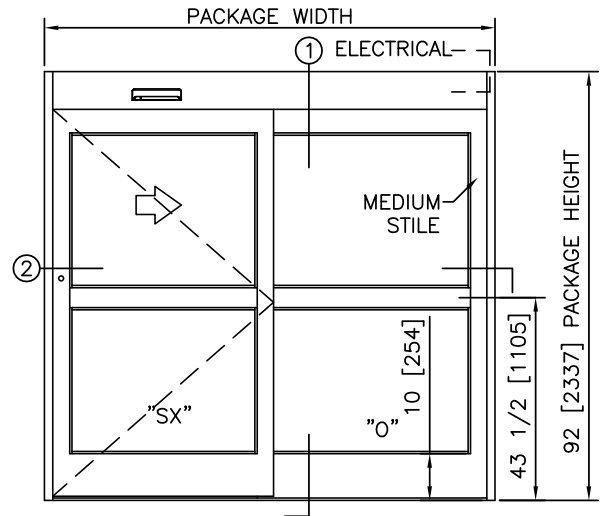
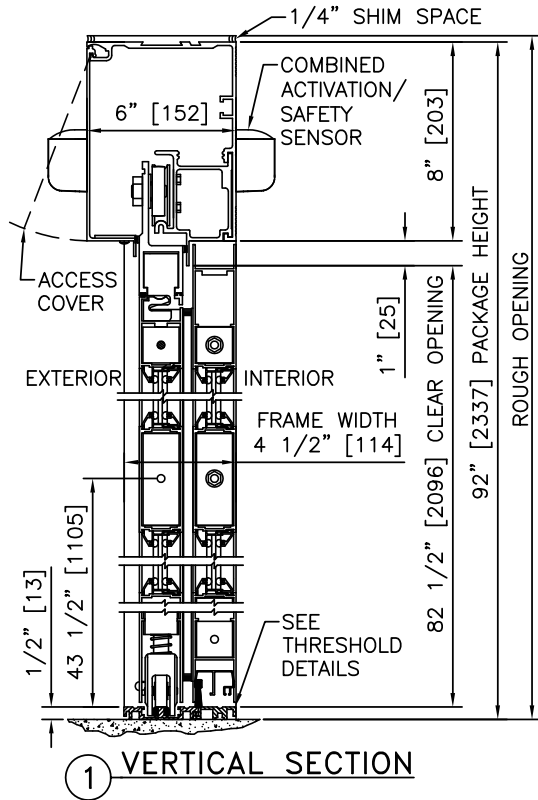
1. ELECTRICAL REQUIREMENTS: 120 VAC, 5 AMP MIN TO POWER OPERATOR BY ELECTRICAL CONTRACTOR.
2. ROUGH OPENING SHALL PROVIDE 1/4"[6] SHIM SPACE ON SIDES AND TOP OF PACKAGE.
3. LIMITS OF ACTIVATION AND SAFETY ZONES ARE FOR REFERENCE ONLY; SEE ANSI/BHMA A156.10 FOR DETAILED REQUIREMENTS.
4. STANDARD LOCKING IS 2-POINT, 3-POINT AND ACCESS CONTROL SYSTEMS AVAILABLE. SEE SHEET 1.60.
5. STANDARD GLAZING STOPS FOR SLIDING AND FIXED PANELS ARE 1/4"[6]; 5/8"[16] AND 1"[25] AVAILABLE.
6. STANDARD JAMB TUBES SHOWN; 6"[152] AVAILABLE.
7. SEE SPECIFICATIONS FOR ADDITIONAL INFORMATION.

TYPICAL PACKAGE DIMENSIONS (MEDIUM STILE)			
PACKAGE WIDTH	NOMINAL CLEAR DOOR OPENING	DOOR PANEL NOMINAL WIDTH	EMERGENCY BREAKOUT NOM. WIDTH
84"	33.1"	42.2"	38.2"
96"	39.1"	48.2"	44.2"
108"	45.1"	54.2"	50.2"

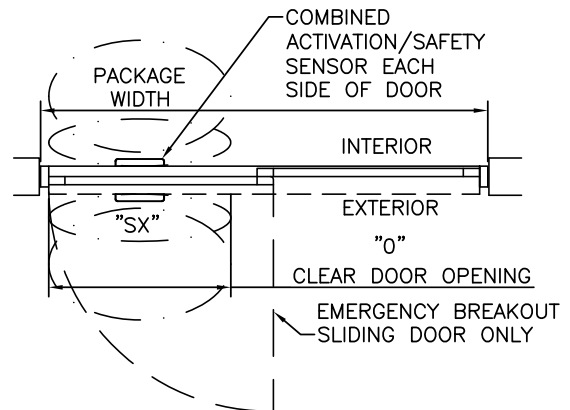
SINGLE SLIDE WITH OPTIONAL TRANSOM

DURA-GUARD
2000
SERIES

STANLEY
Access Technologies



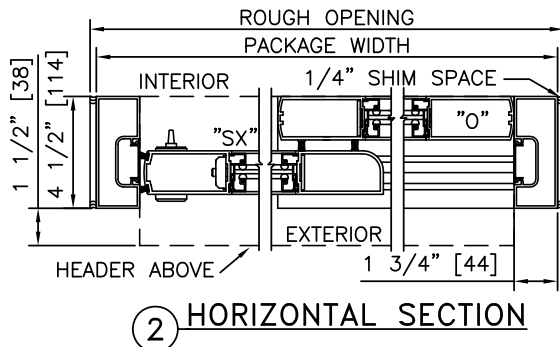
ELEVATION



PLAN

NOTES

1. ELECTRICAL REQUIREMENTS: 120 VAC, 5 AMP MIN TO POWER OPERATOR BY ELECTRICAL CONTRACTOR.
2. ROUGH OPENING SHALL PROVIDE 1/4"[6] SHIM SPACE ON SIDES AND TOP OF PACKAGE.
3. ACTIVATION AND SAFETY ZONES ARE FOR REFERENCE ONLY; SEE ANSI/BHMA A156.10 FOR DETAILED REQUIREMENTS.
4. SEE SPECIFICATIONS FOR ADDITIONAL INFORMATION.



TYPICAL PACKAGE DIMENSIONS (MEDIUM STILE)			
PACKAGE WIDTH	NOMINAL CLEAR DOOR OPENING	DOOR PANEL NOMINAL WIDTH	EMERGENCY BREAKOUT NOM. WIDTH
84"	33.1"	42.2"	38.2"
96"	39.1"	48.2"	44.2"
108"	45.1"	54.2"	50.2"

**DURA-GUARD
2000
SERIES**

SINGLE SLIDE LEFT HAND

PROJECT INFORMATION

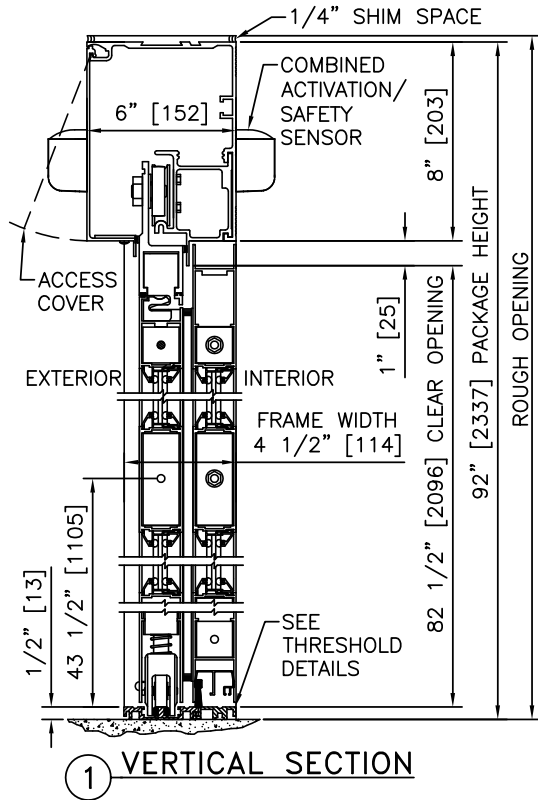
PROJECT NAME:

LOCATION:

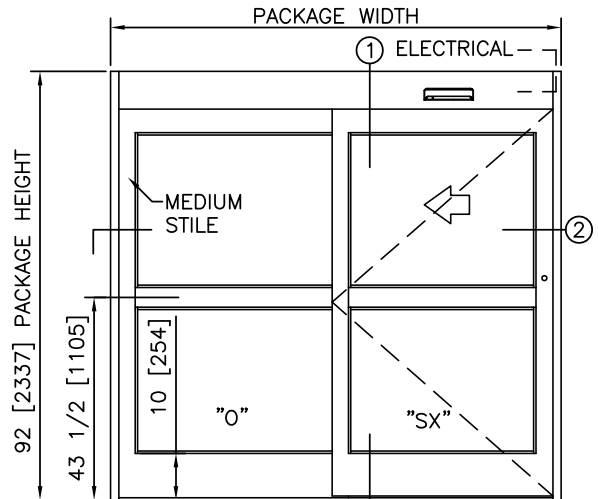
DOOR NUMBER(S):

DATE:

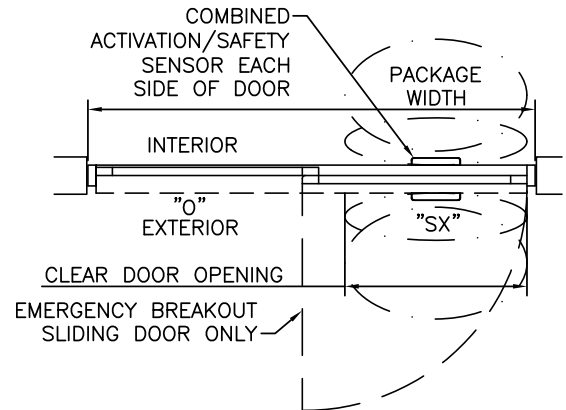
SHEET: OF



1 VERTICAL SECTION



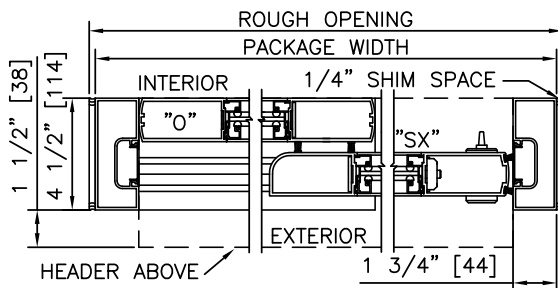
ELEVATION



PLAN

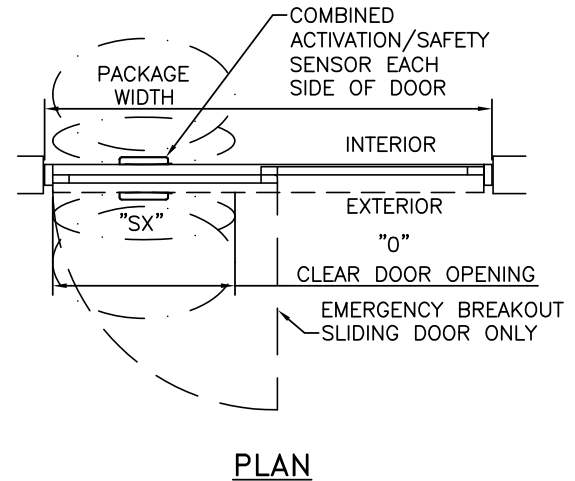
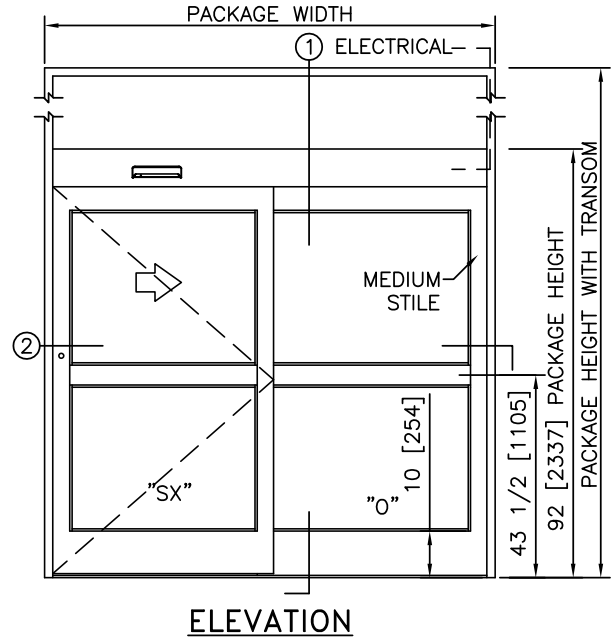
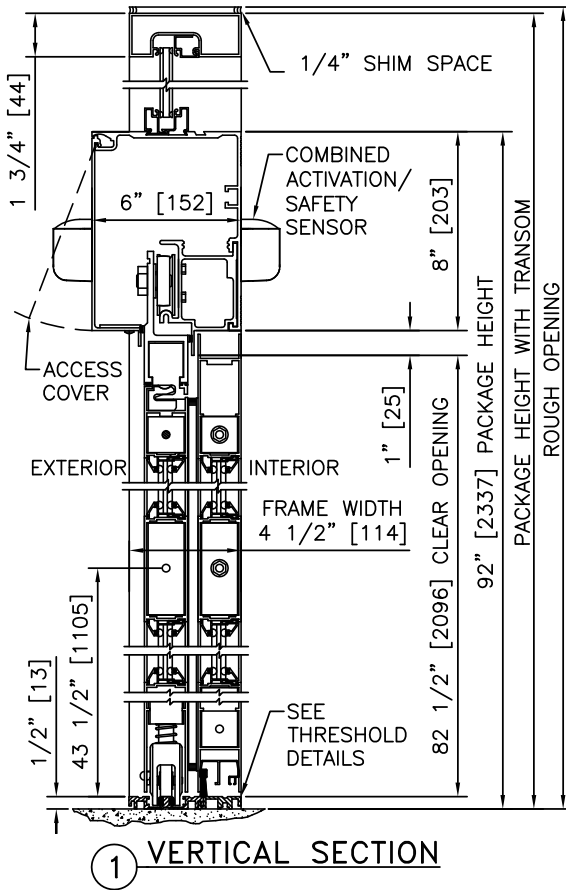
NOTES

1. ELECTRICAL REQUIREMENTS: 120 VAC, 5 AMP MIN TO POWER OPERATOR BY ELECTRICAL CONTRACTOR.
2. ROUGH OPENING SHALL PROVIDE 1/4"[6] SHIM SPACE ON SIDES AND TOP OF PACKAGE.
3. ACTIVATION AND SAFETY ZONES ARE FOR REFERENCE ONLY; SEE ANSI/BHMA A156.10 FOR DETAILED REQUIREMENTS.
4. SEE SPECIFICATIONS FOR ADDITIONAL INFORMATION.



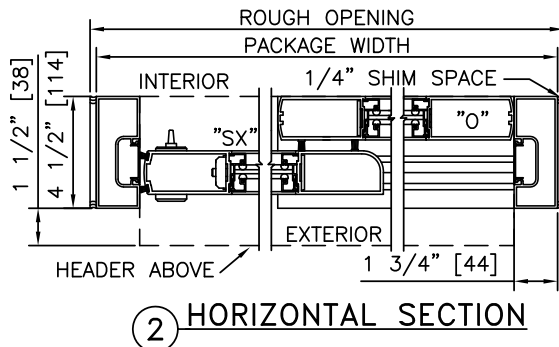
2 HORIZONTAL SECTION

TYPICAL PACKAGE DIMENSIONS (MEDIUM STILE)			
PACKAGE WIDTH	NOMINAL CLEAR DOOR OPENING	DOOR PANEL NOMINAL WIDTH	EMERGENCY BREAKOUT NOM. WIDTH
84"	33.1"	42.2"	38.2"
96"	39.1"	48.2"	44.2"
108"	45.1"	54.2"	50.2"

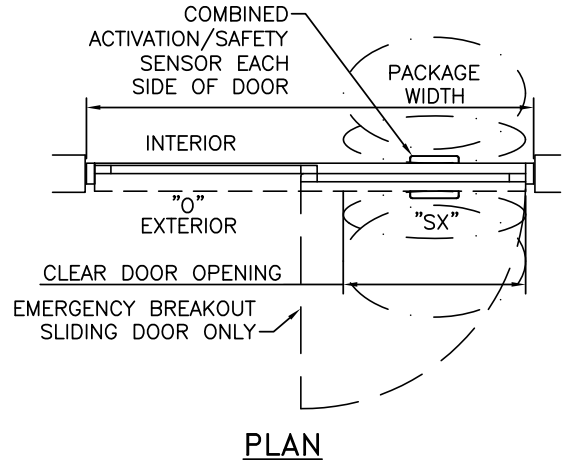
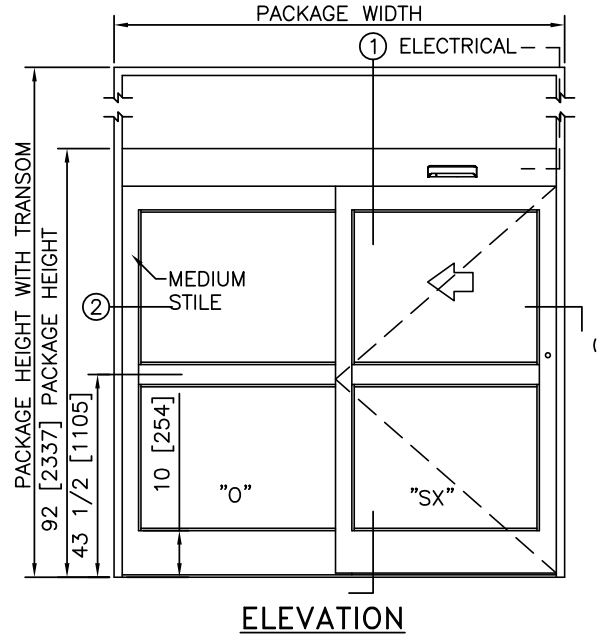
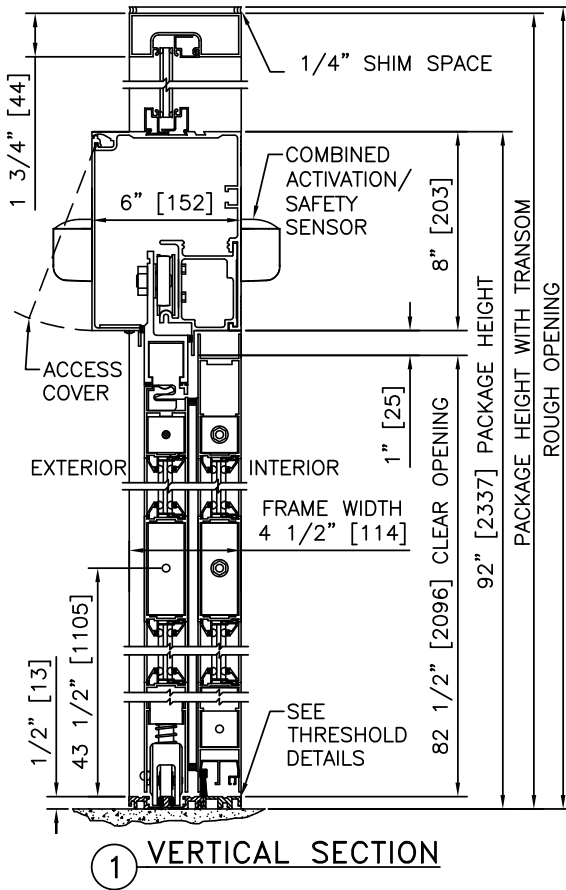


NOTES

1. ELECTRICAL REQUIREMENTS: 120 VAC, 5 AMP MIN TO POWER OPERATOR BY ELECTRICAL CONTRACTOR.
2. ROUGH OPENING SHALL PROVIDE 1/4"[6] SHIM SPACE ON SIDES AND TOP OF PACKAGE.
3. ACTIVATION AND SAFETY ZONES ARE FOR REFERENCE ONLY; SEE ANSI/BHMA A156.10 FOR DETAILED REQUIREMENTS.
4. SEE SPECIFICATIONS FOR ADDITIONAL INFORMATION.

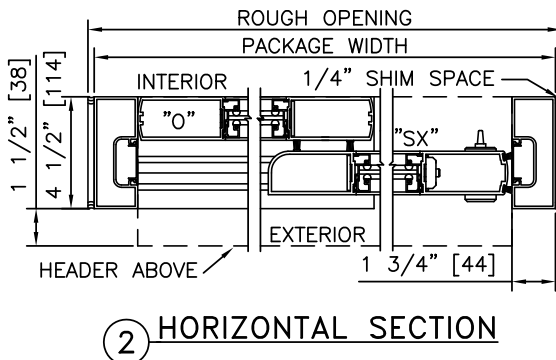


TYPICAL PACKAGE DIMENSIONS (MEDIUM STILE)			
PACKAGE WIDTH	NOMINAL CLEAR DOOR OPENING	DOOR PANEL NOMINAL WIDTH	EMERGENCY BREAKOUT NOM. WIDTH
84"	33.1"	42.2"	38.2"
96"	39.1"	48.2"	44.2"
108"	45.1"	54.2"	50.2"

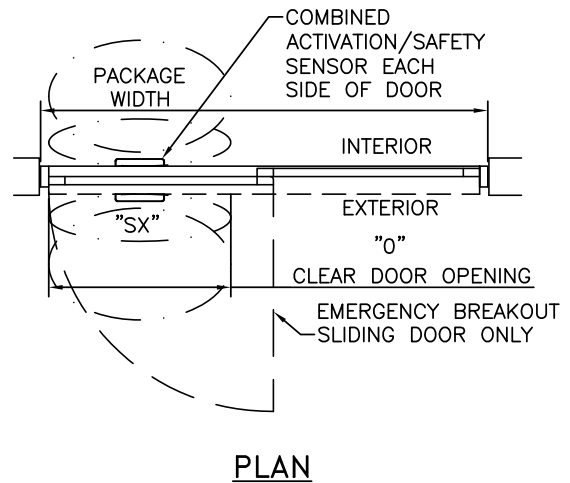
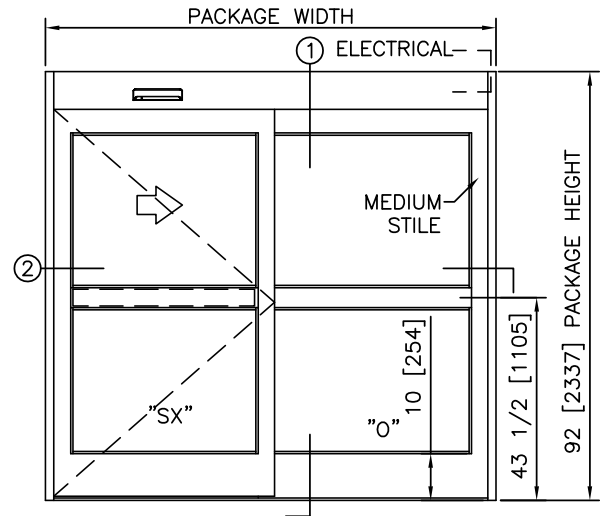
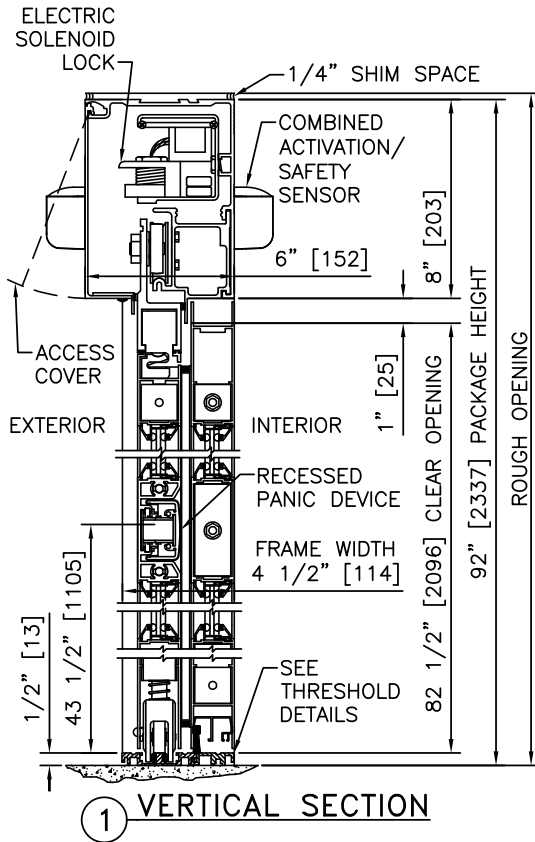


NOTES

1. ELECTRICAL REQUIREMENTS: 120 VAC, 5 AMP MIN TO POWER OPERATOR BY ELECTRICAL CONTRACTOR.
2. ROUGH OPENING SHALL PROVIDE 1/4"[6] SHIM SPACE ON SIDES AND TOP OF PACKAGE.
3. ACTIVATION AND SAFETY ZONES ARE FOR REFERENCE ONLY; SEE ANSI/BHMA A156.10 FOR DETAILED REQUIREMENTS.
4. SEE SPECIFICATIONS FOR ADDITIONAL INFORMATION.

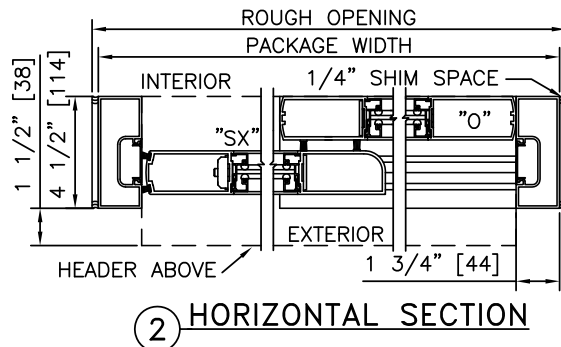


TYPICAL PACKAGE DIMENSIONS (MEDIUM STILE)			
PACKAGE WIDTH	NOMINAL CLEAR DOOR OPENING	DOOR PANEL NOMINAL WIDTH	EMERGENCY BREAKOUT NOM. WIDTH
84"	33.1"	42.2"	38.2"
96"	39.1"	48.2"	44.2"
108"	45.1"	54.2"	50.2"

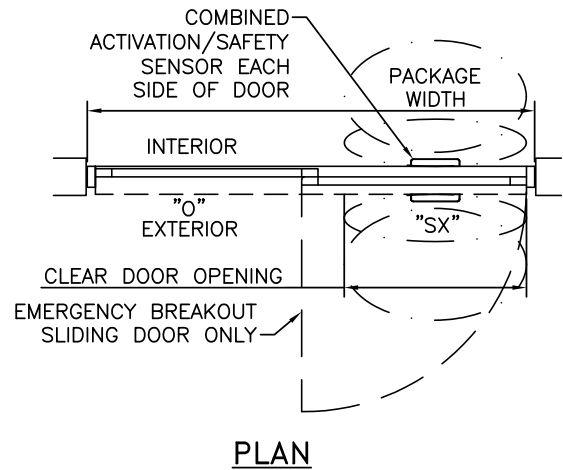
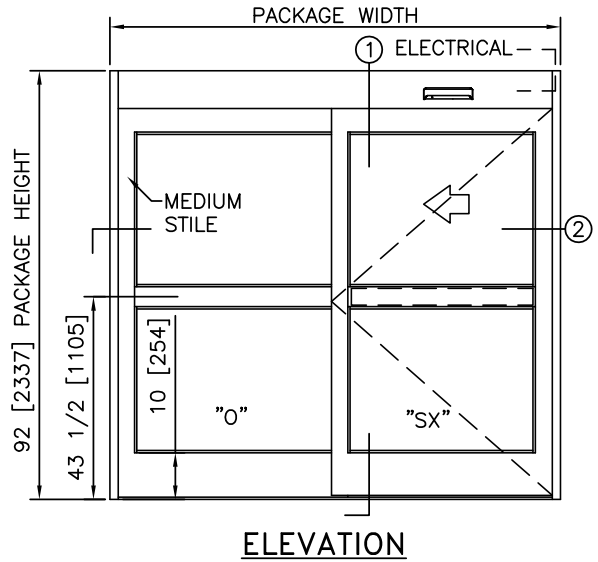
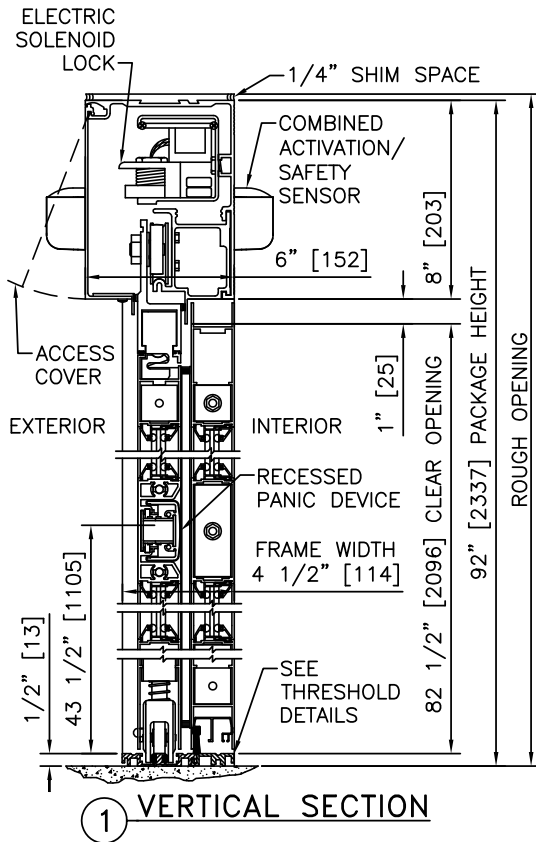


NOTES

1. ELECTRICAL REQUIREMENTS: BY ELECTRICAL CONTRACTOR
 - 1.1. 120 VAC, 5 AMP MIN TO POWER OPERATOR.
 - 1.2. CONTROL CIRCUIT FROM SECURE ACTIVATION TO OPERATOR.
2. ROUGH OPENING SHALL PROVIDE 1/4"[6] SHIM SPACE ON SIDES AND TOP OF PACKAGE.
3. ACTIVATION AND SAFETY ZONES ARE FOR REFERENCE ONLY; SEE ANSI/BHMA A156.10 FOR DETAILED REQUIREMENTS.
4. SEE SPECIFICATIONS FOR ADDITIONAL INFORMATION.

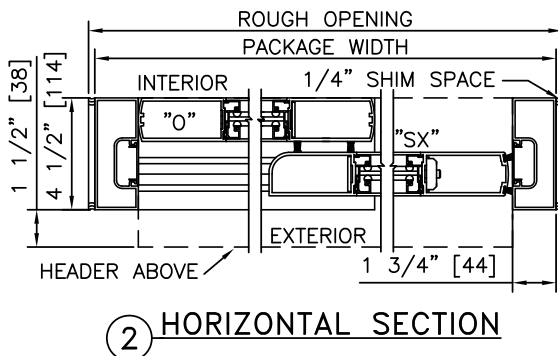


TYPICAL PACKAGE DIMENSIONS (MEDIUM STILE)			
PACKAGE WIDTH	NOMINAL CLEAR DOOR OPENING	DOOR PANEL NOMINAL WIDTH	EMERGENCY BREAKOUT NOM. WIDTH
84"	33.1"	42.2"	38.2"
96"	39.1"	48.2"	44.2"
108"	45.1"	54.2"	50.2"

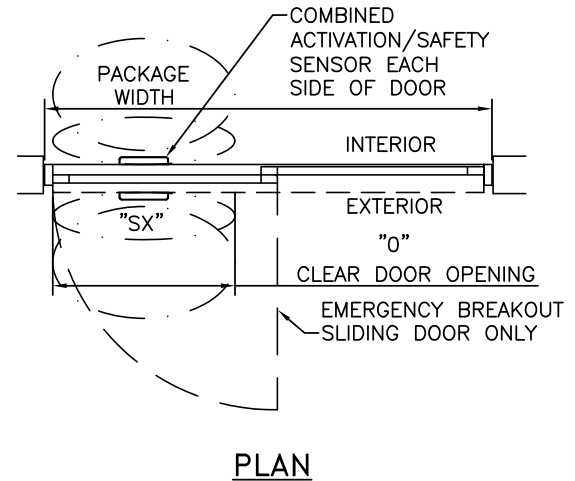
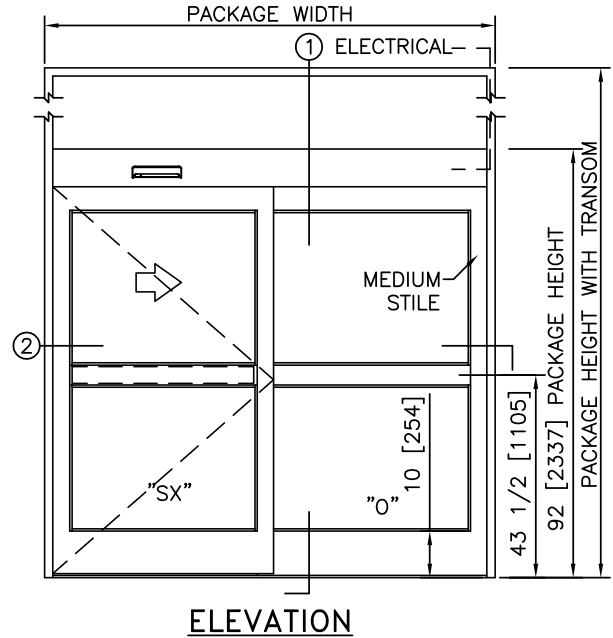
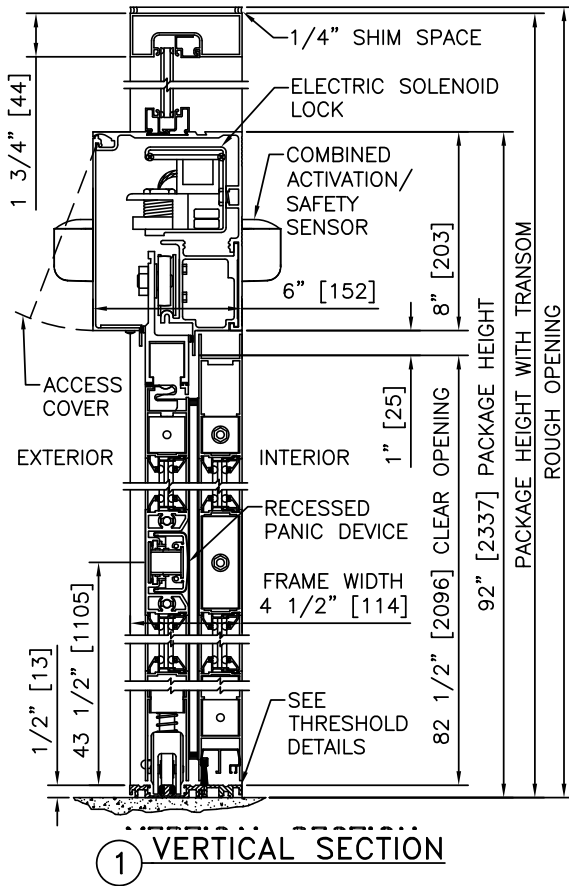


NOTES

1. ELECTRICAL REQUIREMENTS: BY ELECTRICAL CONTRACTOR
 - 1.1. 120 VAC, 5 AMP MIN TO POWER OPERATOR.
 - 1.2. CONTROL CIRCUIT FROM SECURE ACTIVATION TO OPERATOR.
2. ROUGH OPENING SHALL PROVIDE 1/4"[6] SHIM SPACE ON SIDES AND TOP OF PACKAGE.
3. ACTIVATION AND SAFETY ZONES ARE FOR REFERENCE ONLY; SEE ANSI/BHMA A156.10 FOR DETAILED REQUIREMENTS.
4. SEE SPECIFICATIONS FOR ADDITIONAL INFORMATION.

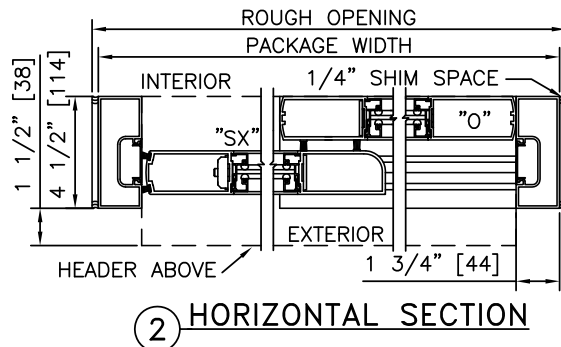


TYPICAL PACKAGE DIMENSIONS (MEDIUM STILE)			
PACKAGE WIDTH	NOMINAL CLEAR DOOR OPENING	DOOR PANEL NOMINAL WIDTH	EMERGENCY BREAKOUT NOM. WIDTH
84"	33.1"	42.2"	38.2"
96"	39.1"	48.2"	44.2"
108"	45.1"	54.2"	50.2"

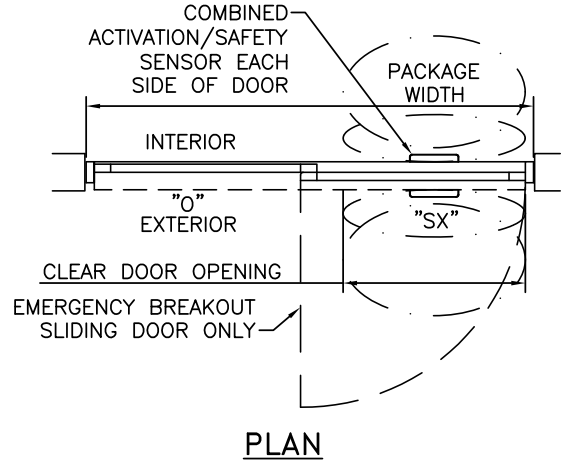
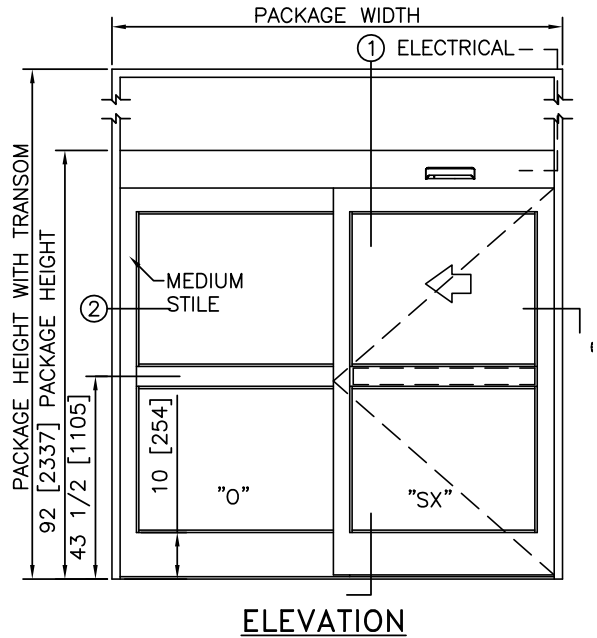
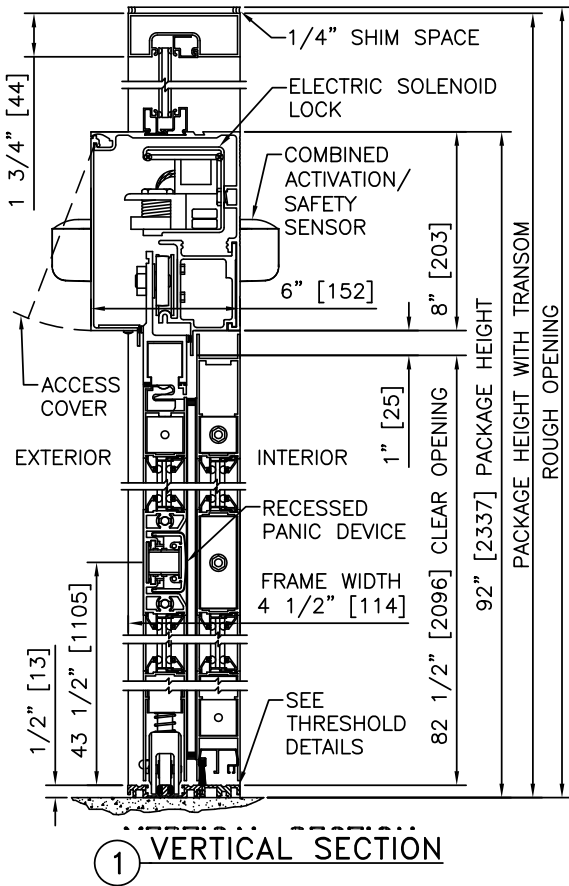


NOTES

1. ELECTRICAL REQUIREMENTS: BY ELECTRICAL CONTRACTOR
 - 1.1. 120 VAC, 5 AMP MIN TO POWER OPERATOR.
 - 1.2. CONTROL CIRCUIT FROM SECURE ACTIVATION TO OPERATOR.
2. ROUGH OPENING SHALL PROVIDE 1/4"[6] SHIM SPACE ON SIDES AND TOP OF PACKAGE.
3. ACTIVATION AND SAFETY ZONES ARE FOR REFERENCE ONLY; SEE ANSI/BHMA A156.10 FOR DETAILED REQUIREMENTS.
4. SEE SPECIFICATIONS FOR ADDITIONAL INFORMATION.

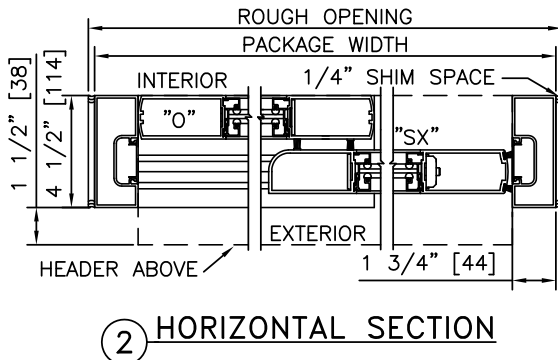


TYPICAL PACKAGE DIMENSIONS (MEDIUM STILE)			
PACKAGE WIDTH	NOMINAL CLEAR DOOR OPENING	DOOR PANEL NOMINAL WIDTH	EMERGENCY BREAKOUT NOM. WIDTH
84"	33.1"	42.2"	38.2"
96"	39.1"	48.2"	44.2"
108"	45.1"	54.2"	50.2"



NOTES

1. ELECTRICAL REQUIREMENTS: BY ELECTRICAL CONTRACTOR
 - 1.1. 120 VAC, 5 AMP MIN TO POWER OPERATOR.
 - 1.2. CONTROL CIRCUIT FROM SECURE ACTIVATION TO OPERATOR.
2. ROUGH OPENING SHALL PROVIDE 1/4"[6] SHIM SPACE ON SIDES AND TOP OF PACKAGE.
3. ACTIVATION AND SAFETY ZONES ARE FOR REFERENCE ONLY; SEE ANSI/BHMA A156.10 FOR DETAILED REQUIREMENTS.
4. SEE SPECIFICATIONS FOR ADDITIONAL INFORMATION.



TYPICAL PACKAGE DIMENSIONS (MEDIUM STILE)			
PACKAGE WIDTH	NOMINAL CLEAR DOOR OPENING	DOOR PANEL NOMINAL WIDTH	EMERGENCY BREAKOUT NOM. WIDTH
84"	33.1"	42.2"	38.2"
96"	39.1"	48.2"	44.2"
108"	45.1"	54.2"	50.2"