



HURRICANE-RATED AUTOMATIC SLIDING DOORS:

2.11 - BI-PARTING WITH PANIC RELEASE

- 2.11.01 - BI-PARTING WITH PANIC RELEASE
- 2.11.02 - BI-PARTING
- 2.11.03 - BI-PARTING WITH PANIC RELEASE AND AUTOMATIC LOCKING
- 2.11.04 - BI-PARTING WITH AUTOMATIC LOCKING

STANLEY
Security

ACCESS TECHNOLOGIES

DURA-STORM
3000
"LEVEL E"
IMPACT SERIES

BI-PARTING WITH PANIC RELEASE

PROJECT INFORMATION

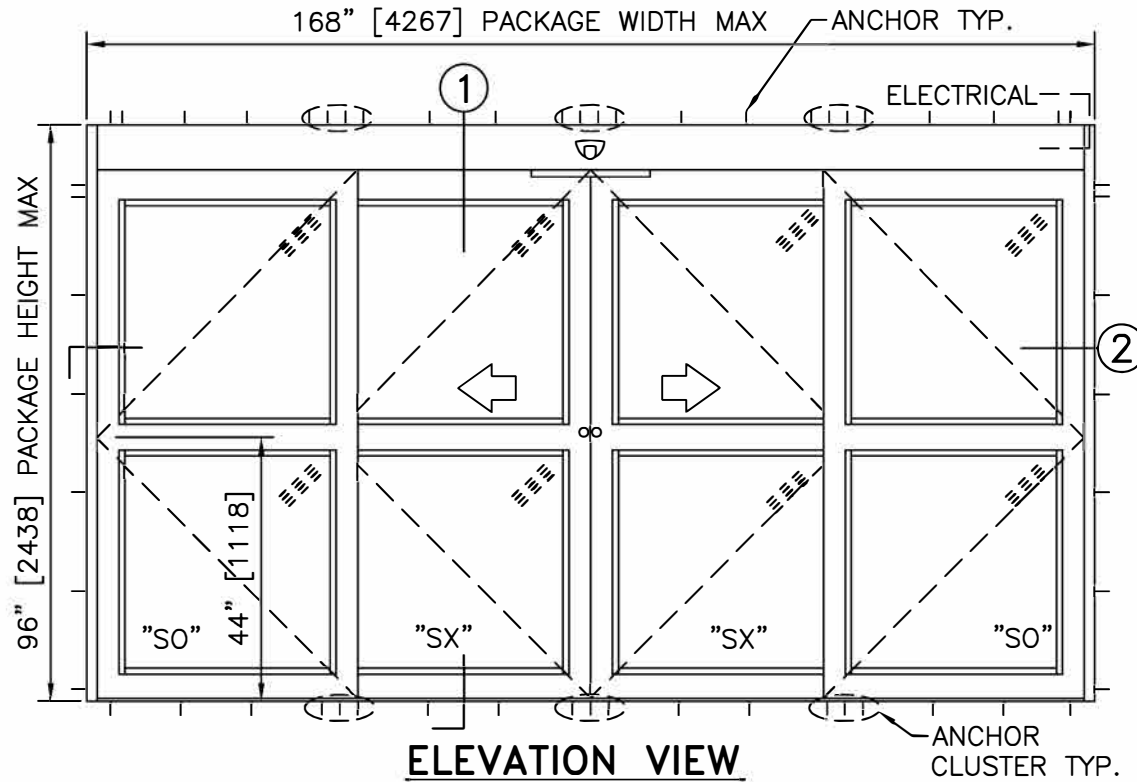
PROJECT NAME:

LOCATION:

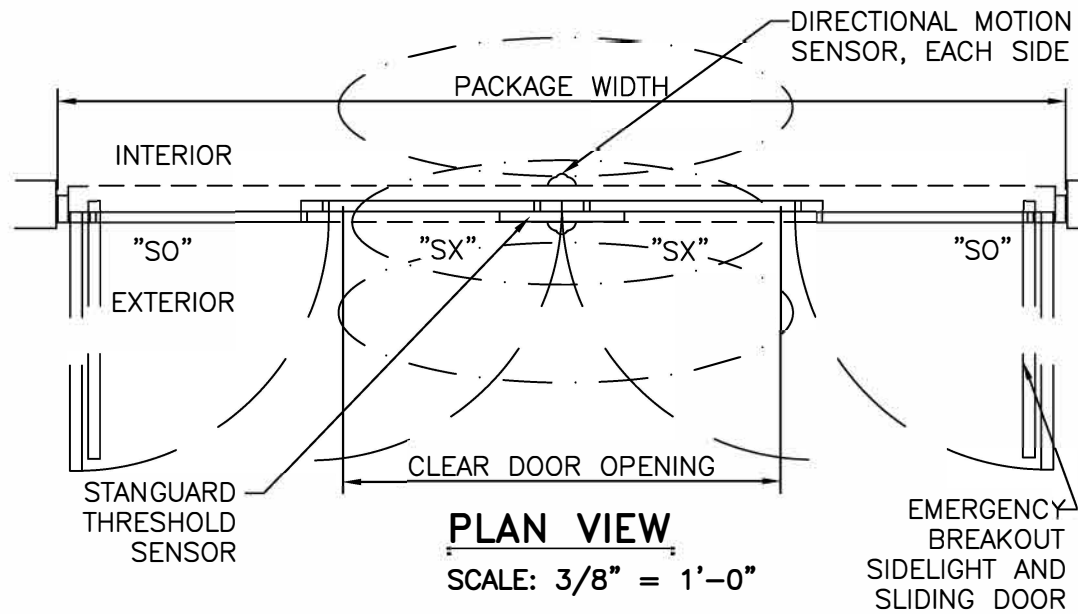
DOOR NUMBER(S):

DATE:

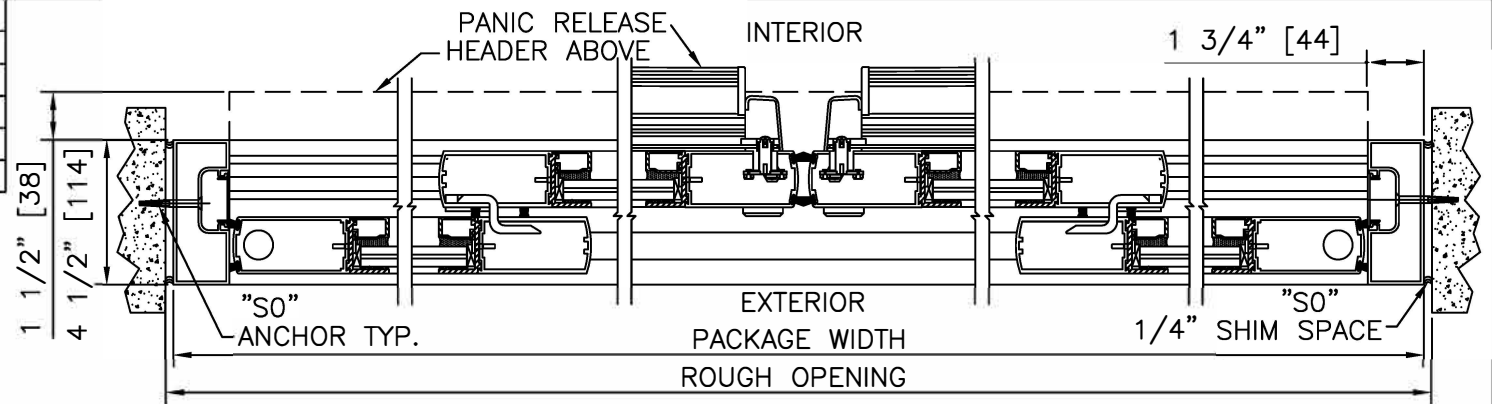
SHEET: OF



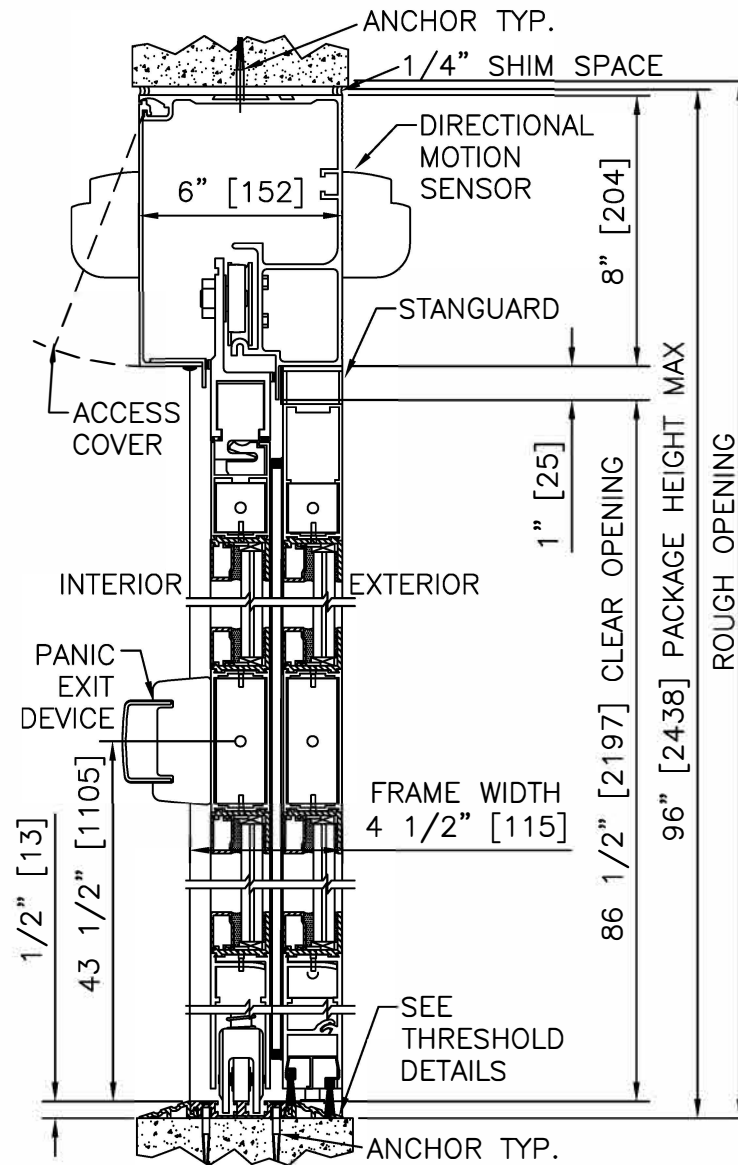
ELEVATION VIEW
SCALE: 3/8" = 1'-0"



PLAN VIEW
SCALE: 3/8" = 1'-0"



HORIZONTAL SECTION
SCALE: 2" = 1'-0"



VERTICAL SECTION
SCALE: 2" = 1'-0"

PRODUCT OPTIONS

- FINISH
- ANODIZED CLEAR CL2
 - ANODIZED DK BRONZE
 - CUSTOM
- LOCKING
- 5-POINT
 - 4-POINT W/ PANIC RELEASE
 - ELECTRIC SOLENOID LOCK
- JAMBS
- 4 1/2" 6"
- BOTTOM RAILS
- STANDARD 4"
 - OPTIONAL 10"
- THRESHOLDS
- SQ/BVL (EXT) SQ/BVL (INT)
 - DBL BVL RECESSED
- ACTIVATION/SAFETY
- 2 SU-100/STANGUARD
 - 2 COMBINED ACTIVATION/SAFETY SENSORS
- OTHER OPTIONS
- ROTARY CTRL SWITCH KEYED
 - UNINTERRUPTIBLE POWER SUPPLY
 - FLY OPEN BOX
 - WIND DAMPERS
 - ALARM CONTACTS

MAX. PACKAGE DIMENSIONS (MEDIUM STILE)			
PACKAGE WIDTH	NOMINAL CLEAR DOOR OPENING	DOOR PANEL NOMINAL WIDTH	EMERGENCY BREAKOUT NOM. WIDTH
168"	66.3"	43.4"	150.5"

DESIGN RATINGS	
MISSILE IMPACT RATING	
<input checked="" type="checkbox"/>	LARGE AND SMALL MISSILE IMPACT
<input checked="" type="checkbox"/>	RISK CAT IV, 80 FT/S, "LEVEL E"
DESIGN PRESSURE RATING (PSF[Pa])	
POSITIVE	75 PSF [3591 Pa]
NEGATIVE	75 PSF [3591 Pa]

- NOTES
- ELECTRICAL REQUIREMENTS: 120 VAC, 5 AMP MIN TO POWER OPERATOR BY ELECTRICAL CONTRACTOR.
 - ROUGH OPENING SHALL PROVIDE 1/4"[6] SHIM SPACE ON SIDES AND TOP OF PACKAGE.
 - ACTIVATION AND SAFETY ZONES ARE FOR REFERENCE ONLY; SEE ANSI/BHMA A156.10 FOR DETAILED REQUIREMENTS.
 - 4-POINT LOCKING WITH PANIC RELEASE STANDARD; 5-POINT LOCKING OPTIONAL. ELECTRIC SOLENOID LOCK MAY BE ADDED FOR ACCESS CONTROL.
 - ENTRANCE TO RECEIVE APPROVED 5/8"[16] LAMINATED GLASS, AND DRY/WET GLAZING.
 - STANDARD BOTTOM RAILS SHOWN; 10"[254] BOTTOM RAILS AVAILABLE.
 - PRODUCT SHALL BE MANUFACTURED AND INSTALLED IN ACCORDANCE WITH PRODUCT APPROVALS; SEE MIAMI-DADE COUNTY NOTICE OF ACCEPTANCE OR FLORIDA BUILDING CODE APPROVAL
 - SEE SPECIFICATIONS FOR ADDITIONAL INFORMATION.

BI-PART FORMULAS - MEDIUM STILE

PACKAGE WIDTH = 2 X CLEAR DOOR OPENING + 35.6"

CLEAR DOOR OPENING = 1/2 PACKAGE WIDTH - 17.8"

EMERGENCY BREAKOUT WIDTH = PACKAGE WIDTH - 17.5"

DOOR PANEL WIDTH = 1/4 PACKAGE WIDTH + 1.4"

BI-PARTING WITH PANIC RELEASE

DURA-STORM
3000
"LEVEL E"
IMPACT SERIES

STANLEY
Security

ACCESS TECHNOLOGIES

DURA-STORM 3000 "LEVEL E" IMPACT SERIES

BI-PARTING WITH PANIC RELEASE

PROJECT INFORMATION

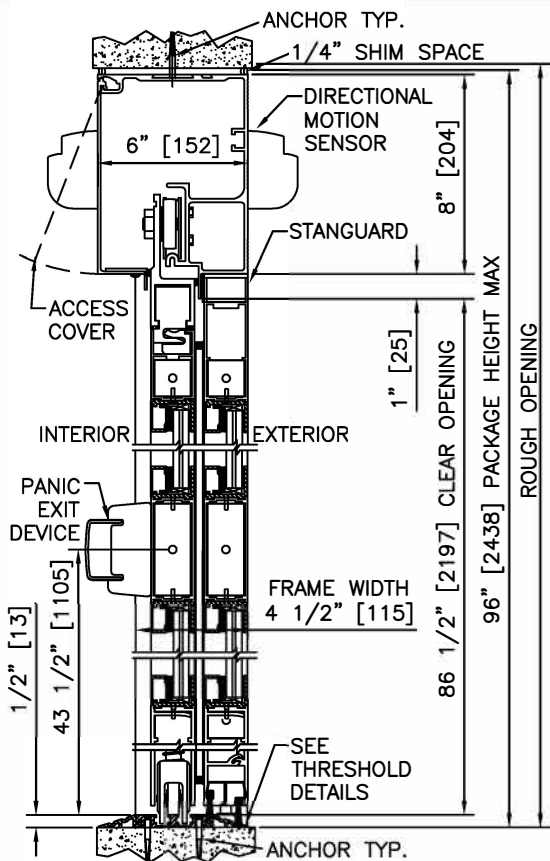
PROJECT NAME:

LOCATION:

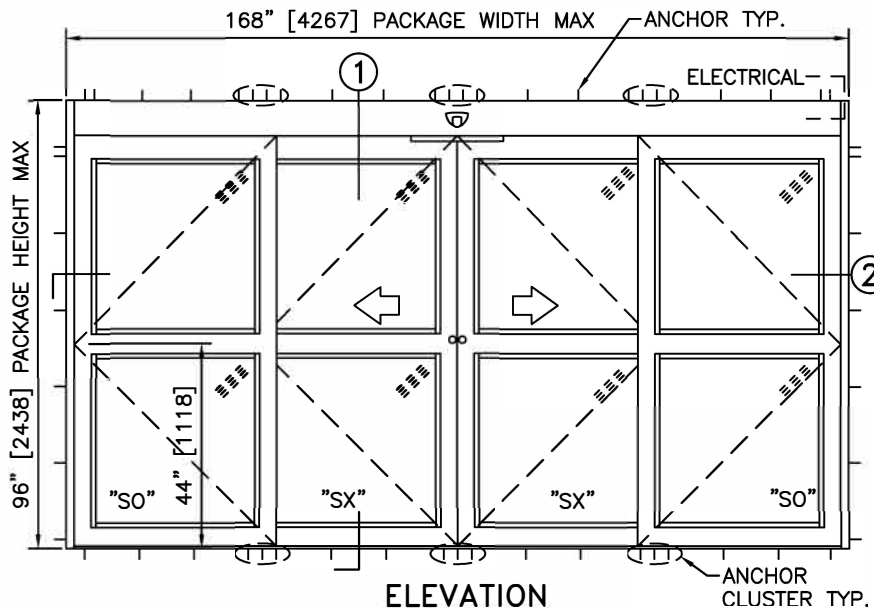
DOOR NUMBER(S):

DATE:

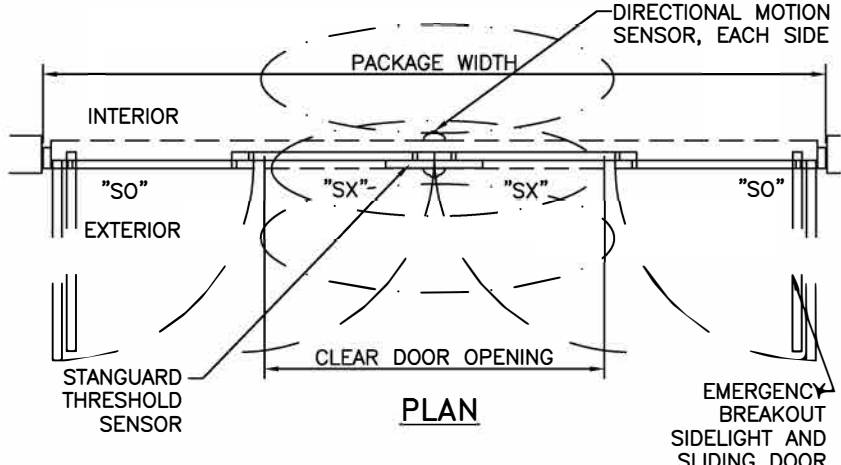
SHEET: OF



1 VERTICAL SECTION



ELEVATION

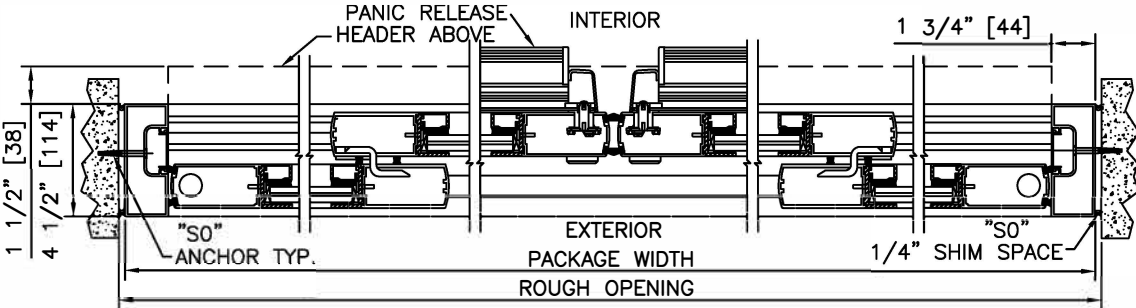


PLAN

MAX. PACKAGE DIMENSIONS (MEDIUM STYLE)			
PACKAGE WIDTH	NOMINAL CLEAR DOOR OPENING	DOOR PANEL NOMINAL WIDTH	EMERGENCY BREAKOUT NOM. WIDTH
168"	66.3"	43.4"	150.5"
DESIGN RATINGS			
MISSILE IMPACT RATING			
<input checked="" type="checkbox"/>	LARGE AND SMALL MISSILE IMPACT		
<input checked="" type="checkbox"/>	RISK CAT IV, 80 FT/S, "LEVEL E"		
DESIGN PRESSURE RATING (PSF [Pa])			
POSITIVE	75 PSF [3591 Pa]		
NEGATIVE	75 PSF [3591 Pa]		

NOTES

- ELECTRICAL REQUIREMENTS: 120 VAC, 5 AMP MIN TO POWER OPERATOR BY ELECTRICAL CONTRACTOR.
- ROUGH OPENING SHALL PROVIDE 1/4"[6] SHIM SPACE ON SIDES AND TOP OF PACKAGE.
- ACTIVATION AND SAFETY ZONES ARE FOR REFERENCE ONLY; SEE ANSI/BHMA A156.10 FOR DETAILED REQUIREMENTS.
- PRODUCT SHALL BE MANUFACTURED AND INSTALLED IN ACCORDANCE WITH PRODUCT APPROVALS; SEE MIAMI-DADE COUNTY NOA OR FLORIDA BUILDING CODE APPROVAL
- SEE SPECIFICATIONS FOR ADDITIONAL INFORMATION.



2 HORIZONTAL SECTION

DURA-STORM 3000 "LEVEL E" IMPACT SERIES

BI-PARTING

PROJECT INFORMATION

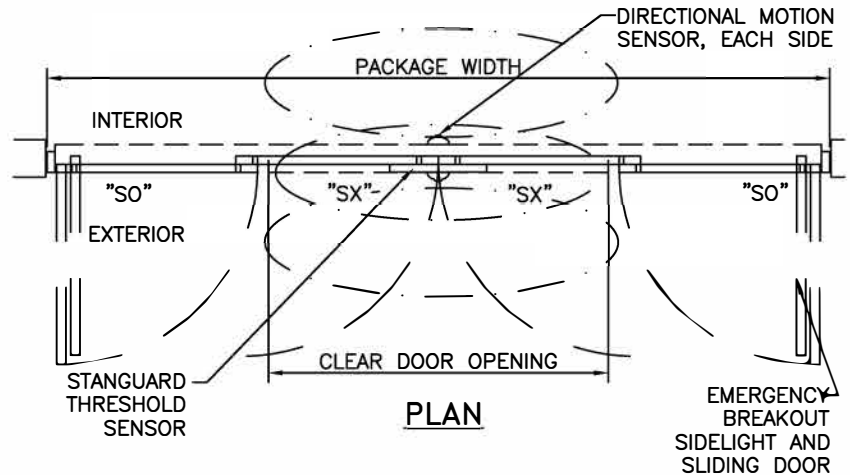
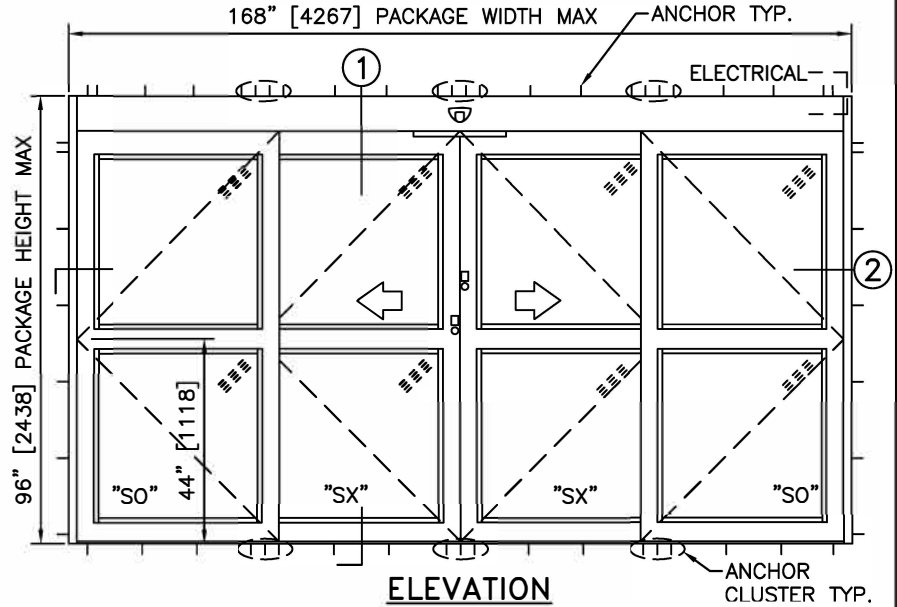
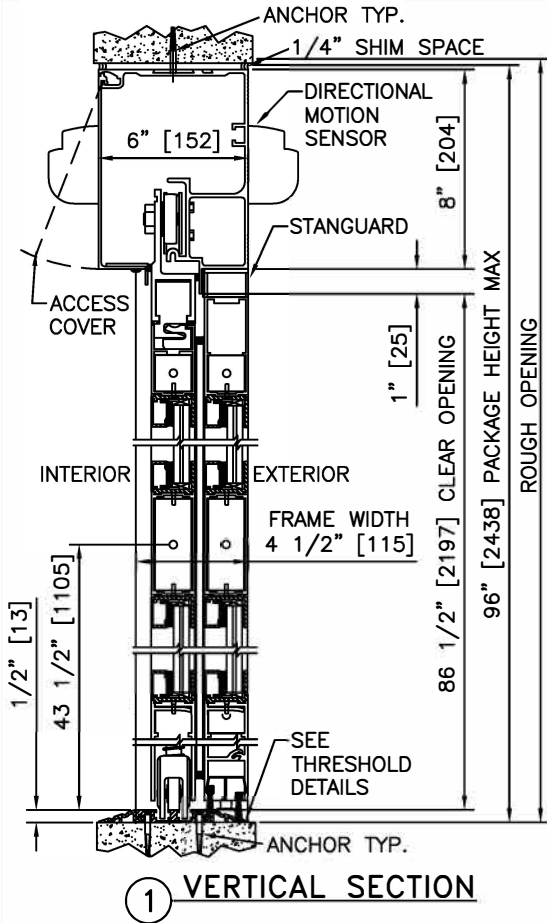
PROJECT NAME:

LOCATION:

DOOR NUMBER(S):

DATE:

SHEET: OF

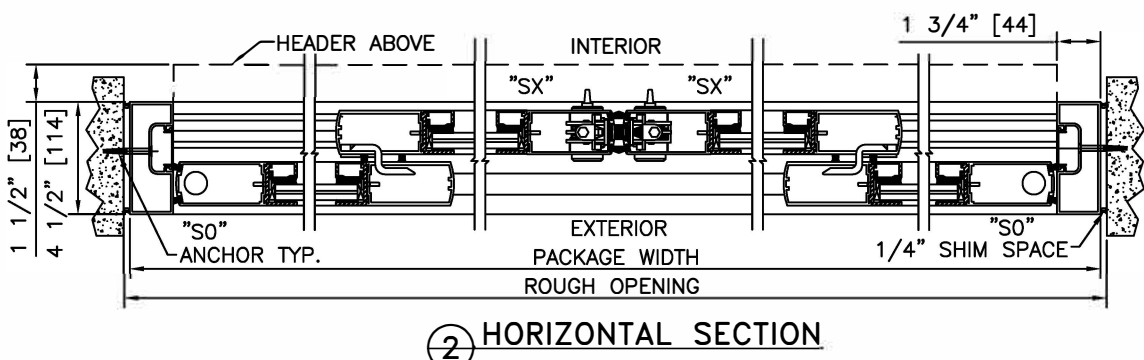


MAX. PACKAGE DIMENSIONS (MEDIUM STYLE)			
PACKAGE WIDTH	NOMINAL CLEAR DOOR OPENING	DOOR PANEL NOMINAL WIDTH	EMERGENCY BREAKOUT NOM. WIDTH
168"	66.3"	43.4"	150.5"

DESIGN RATINGS	
MISSILE IMPACT RATING	
<input checked="" type="checkbox"/>	LARGE AND SMALL MISSILE IMPACT
<input checked="" type="checkbox"/>	RISK CAT IV, 80 FT/S, "LEVEL E"
DESIGN PRESSURE RATING (PSF [Pa])	
POSITIVE	75 PSF [3591 Pa]
NEGATIVE	75 PSF [3591 Pa]

NOTES

1. ELECTRICAL REQUIREMENTS: 120 VAC, 5 AMP MIN TO POWER OPERATOR BY ELECTRICAL CONTRACTOR.
2. ROUGH OPENING SHALL PROVIDE 1/4"[6] SHIM SPACE ON SIDES AND TOP OF PACKAGE.
3. ACTIVATION AND SAFETY ZONES ARE FOR REFERENCE ONLY; SEE ANSI/BHMA A156.10 FOR DETAILED REQUIREMENTS.
4. PRODUCT SHALL BE MANUFACTURED AND INSTALLED IN ACCORDANCE WITH PRODUCT APPROVALS; SEE MIAMI-DADE COUNTY NOA OR FLORIDA BUILDING CODE APPROVAL
5. SEE SPECIFICATIONS FOR ADDITIONAL INFORMATION.



DURA-STORM 3000 "LEVEL E" IMPACT SERIES

BI-PARTING WITH PANIC RELEASE & AUTOMATIC LOCKING

PROJECT INFORMATION

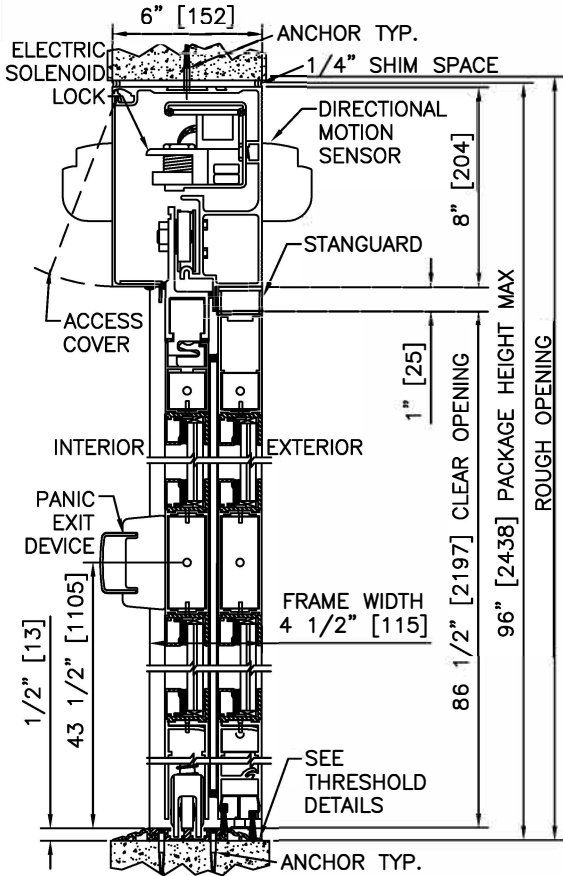
PROJECT NAME:

LOCATION:

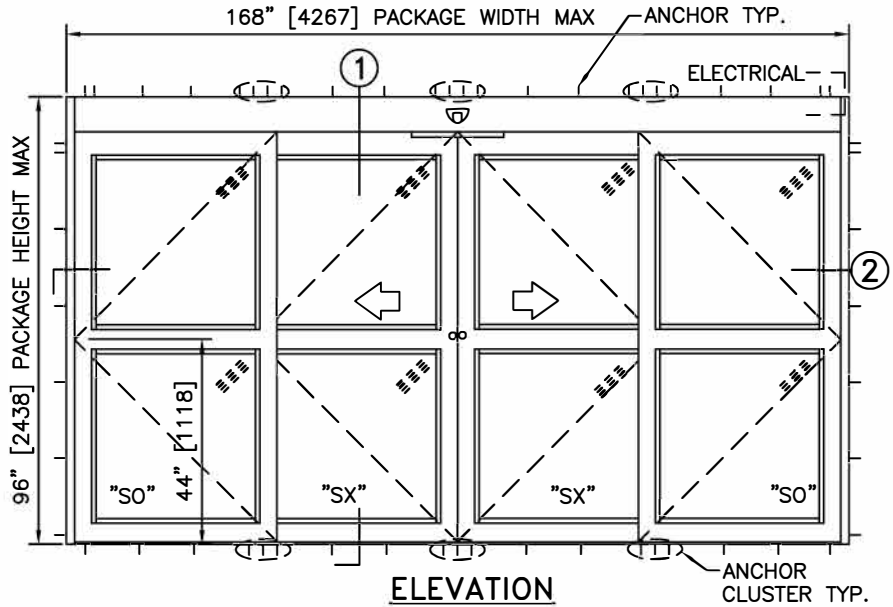
DOOR NUMBER(S):

DATE:

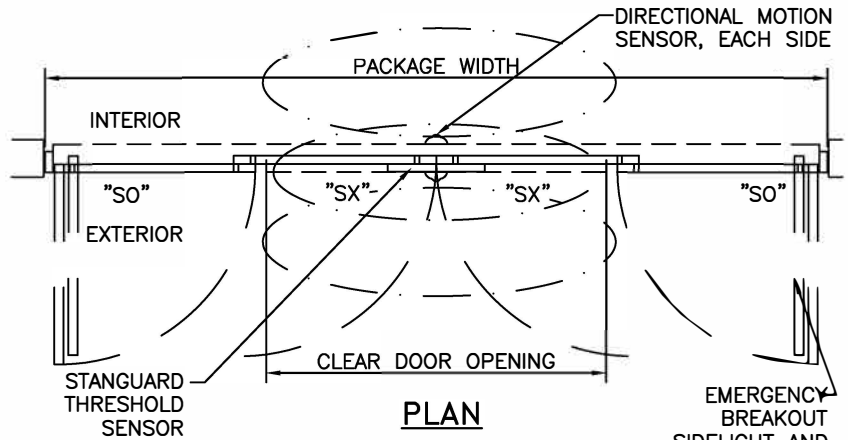
SHEET: OF



1 VERTICAL SECTION



ELEVATION

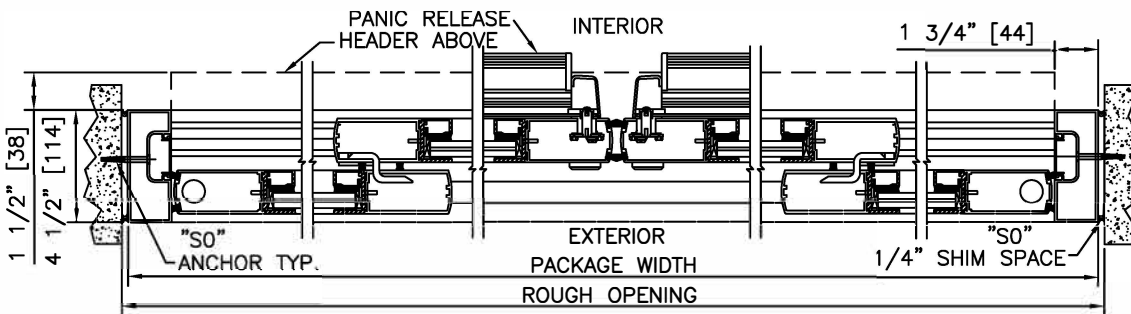


PLAN

MAX. PACKAGE DIMENSIONS (MEDIUM STYLE)			
PACKAGE WIDTH	NOMINAL CLEAR DOOR OPENING	DOOR PANEL NOMINAL WIDTH	EMERGENCY BREAKOUT NOM. WIDTH
168"	66.3"	43.4"	150.5"
DESIGN RATINGS			
MISSILE IMPACT RATING			
<input checked="" type="checkbox"/>	LARGE AND SMALL MISSILE IMPACT		
<input checked="" type="checkbox"/>	RISK CAT IV, 80 FT/S, "LEVEL E"		
DESIGN PRESSURE RATING (PSF [Pa])			
POSITIVE	75 PSF [3591 Pa]		
NEGATIVE	75 PSF [3591 Pa]		

NOTES

- ELECTRICAL REQUIREMENTS: BY ELECTRICAL CONTRACTOR
120 VAC, 5 AMP MIN TO POWER OPERATOR
CONTROL CIRCUIT FROM SECURE ACTIVATION TO OPERATOR.
- ROUGH OPENING SHALL PROVIDE 1/4" [6] SHIM SPACE ON SIDES AND TOP OF PACKAGE.
- ACTIVATION AND SAFETY ZONES ARE FOR REFERENCE ONLY; SEE ANSI/BHMA A156.10 FOR DETAILED REQUIREMENTS.
- PRODUCT SHALL BE MANUFACTURED AND INSTALLED IN ACCORDANCE WITH PRODUCT APPROVALS; SEE MIAMI-DADE COUNTY NOA OR FLORIDA BUILDING CODE APPROVAL
- SEE SPECIFICATIONS FOR ADDITIONAL INFORMATION.



2 HORIZONTAL SECTION

DURA-STORM 3000 "LEVEL E" IMPACT SERIES

BI-PARTING WITH AUTOMATIC LOCKING

PROJECT INFORMATION

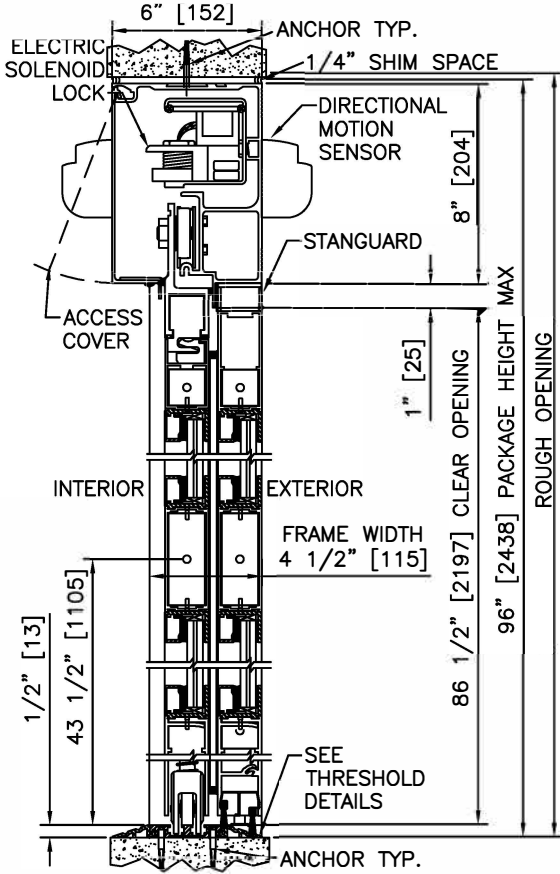
PROJECT NAME:

LOCATION:

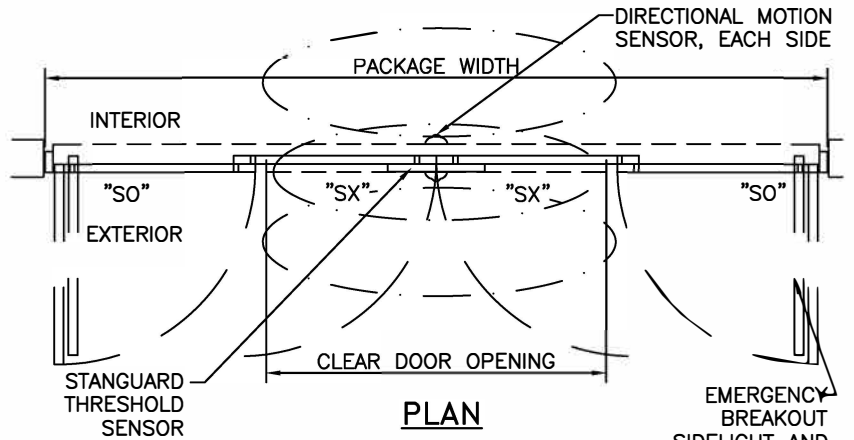
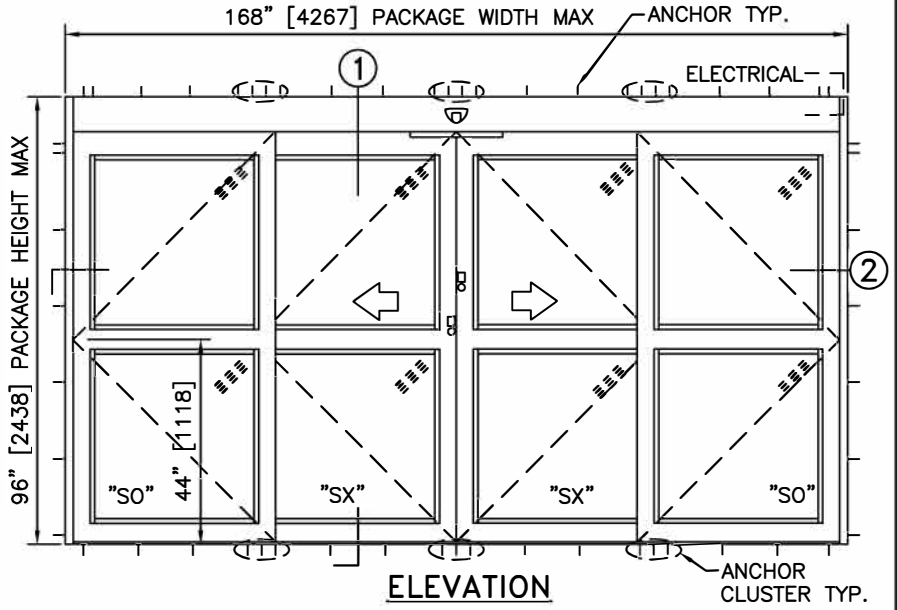
DOOR NUMBER(S):

DATE:

SHEET: OF



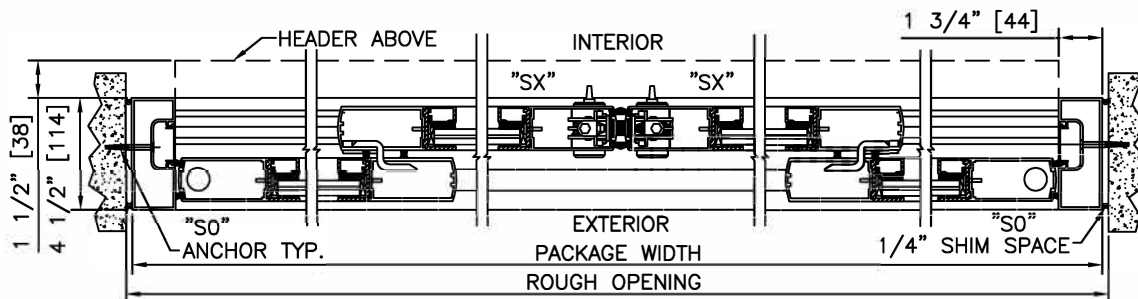
1 VERTICAL SECTION



MAX. PACKAGE DIMENSIONS (MEDIUM STYLE)			
PACKAGE WIDTH	NOMINAL CLEAR DOOR OPENING	DOOR PANEL NOMINAL WIDTH	EMERGENCY BREAKOUT NOM. WIDTH
168"	66.3"	43.4"	150.5"
DESIGN RATINGS			
MISSILE IMPACT RATING			
<input checked="" type="checkbox"/> LARGE AND SMALL MISSILE IMPACT			
<input checked="" type="checkbox"/> RISK CAT IV, 80 FT/S, "LEVEL E"			
DESIGN PRESSURE RATING (PSF [Pa])			
POSITIVE	75 PSF [3591 Pa]		
NEGATIVE	75 PSF [3591 Pa]		

NOTES

1. ELECTRICAL REQUIREMENTS: BY ELECTRICAL CONTRACTOR
120 VAC, 5 AMP MIN TO POWER OPERATOR
CONTROL CIRCUIT FROM SECURE ACTIVATION TO OPERATOR.
2. ROUGH OPENING SHALL PROVIDE 1/4"[6] SHIM SPACE ON SIDES AND TOP OF PACKAGE.
3. ACTIVATION AND SAFETY ZONES ARE FOR REFERENCE ONLY; SEE ANSI/BHMA A156.10 FOR DETAILED REQUIREMENTS.
4. PRODUCT SHALL BE MANUFACTURED AND INSTALLED IN ACCORDANCE WITH PRODUCT APPROVALS; SEE MIAMI-DADE COUNTY NOA OR FLORIDA BUILDING CODE APPROVAL
5. SEE SPECIFICATIONS FOR ADDITIONAL INFORMATION.



2 HORIZONTAL SECTION