

STANLEY
Access Technologies

DURA-STORM
2000
IMPACT
SERIES

BI-PART, STEEL REINFORCED

PROJECT INFORMATION

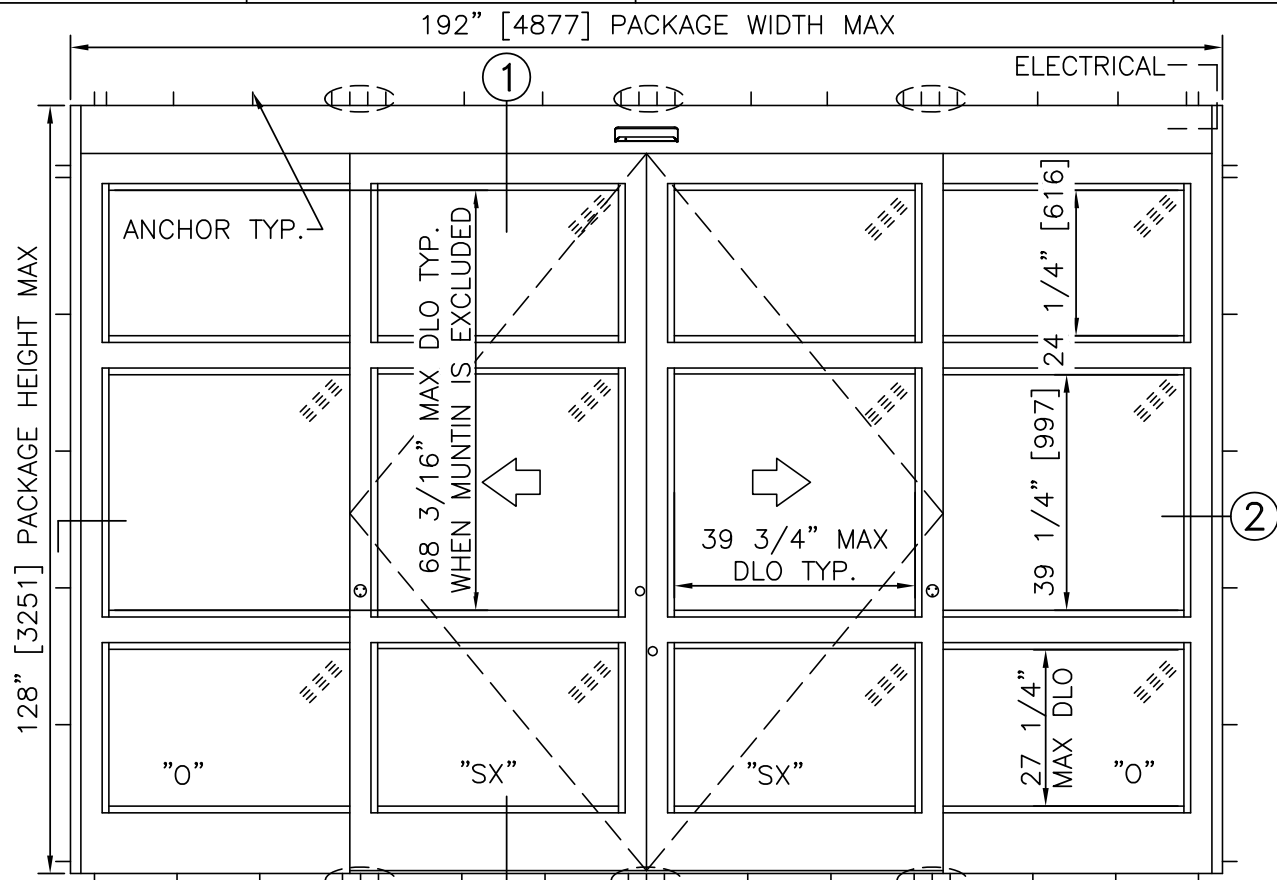
PROJECT NAME:

LOCATION:

DOOR NUMBER(S):

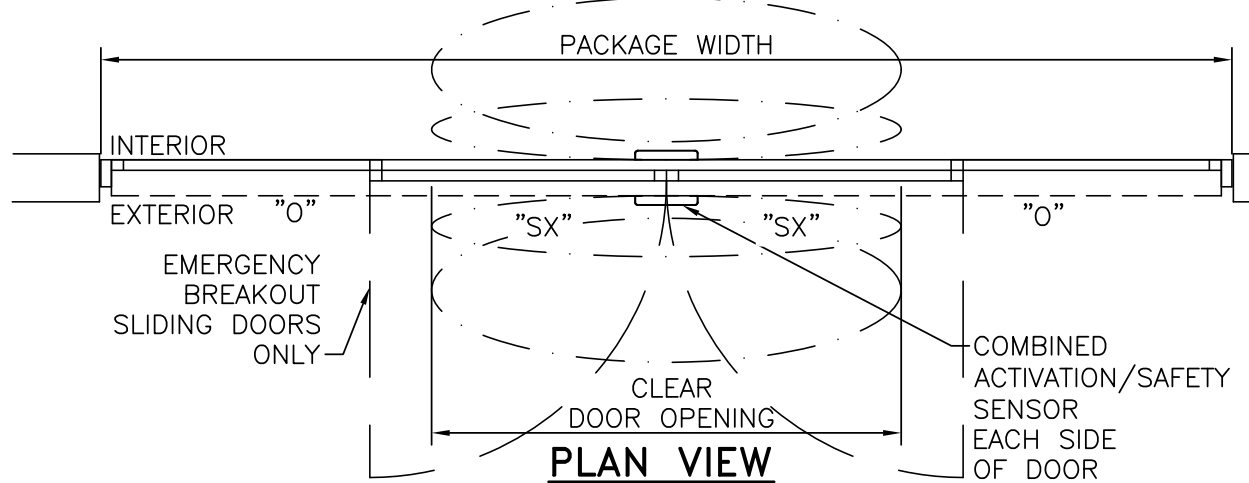
DATE:

SHEET: OF



ELEVATION VIEW

SCALE: 3/8" = 1'-0"

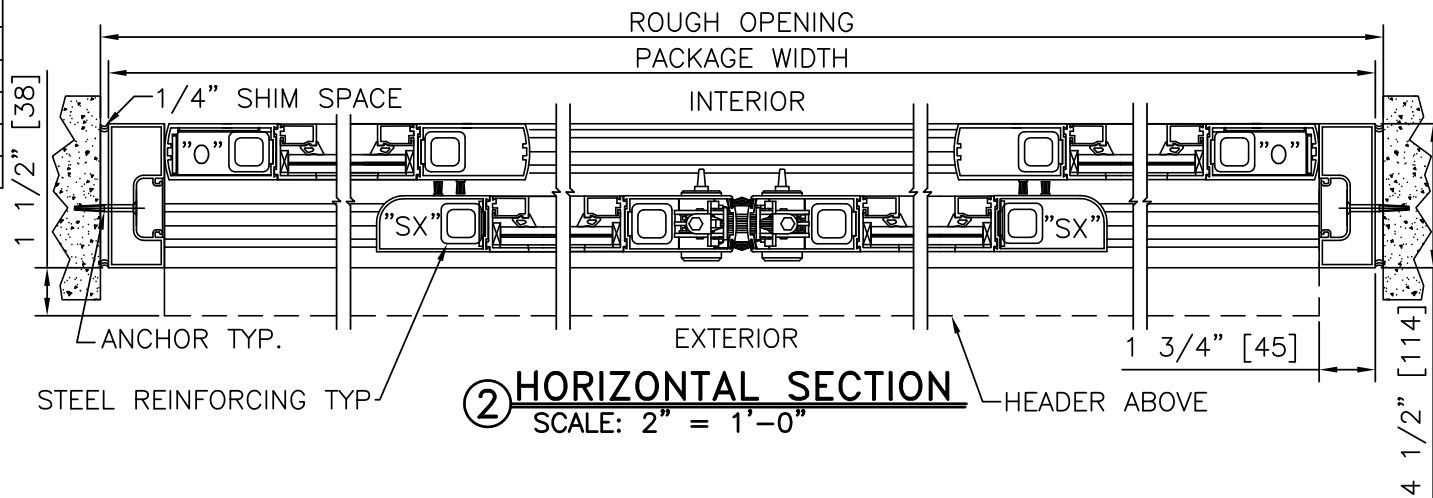


PLAN VIEW

SCALE: 3/8" = 1'-0"

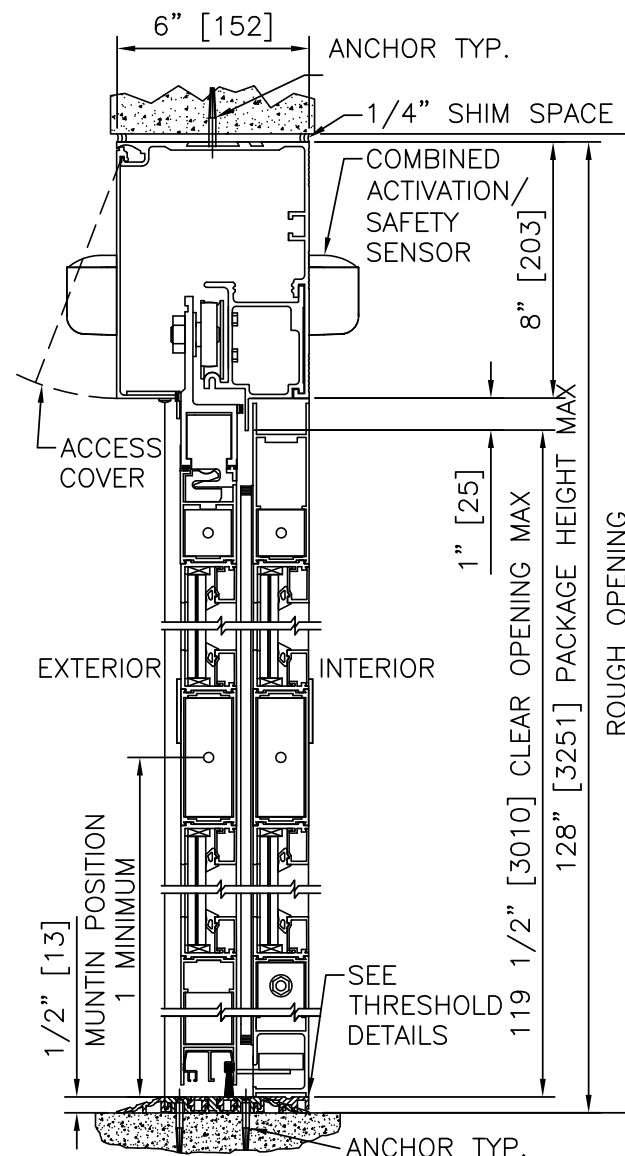
NOTES

- ELECTRICAL REQUIREMENTS: 120 VAC, 5 AMP MIN TO POWER OPERATOR BY ELECTRICAL CONTRACTOR.
- ROUGH OPENING SHALL PROVIDE 1/4"[6] SHIM SPACE ON SIDES AND TOP OF PACKAGE.
- ACTIVATION AND SAFETY ZONES ARE FOR REFERENCE ONLY; SEE ANSI/BHMA A156.10 FOR DETAILED REQUIREMENTS.
- 5-POINT LOCKING STANDARD. ELECTRIC SOLENOID LOCK MAY BE ADDED FOR ACCESS CONTROL.
- ENTRANCE TO RECEIVE APPROVED 9/16"[14] LAMINATED GLAZING.
- STANDARD STILES, BOTTOM RAILS AND MUNTINS SHOWN; MEDIUM STILES, BOTTOM RAILS TO 10"[254], AND 4 1/4"[108] MUNTINS AVAILABLE.
- PRODUCT SHALL BE MANUFACTURED AND INSTALLED IN ACCORDANCE WITH PRODUCT APPROVALS; SEE MIAMI-DADE COUNTY NOTICE OF ACCEPTANCE OR FLORIDA BUILDING CODE APPROVAL
- SEE SPECIFICATIONS FOR ADDITIONAL INFORMATION.



HORIZONTAL SECTION

SCALE: 2" = 1'-0"



VERTICAL SECTION

SCALE: 2" = 1'-0"

PRODUCT OPTIONS

- FINISH
- ANODIZED CLEAR CL2
 - ANODIZED DK BRONZE
 - CUSTOM
- LOCKING
- 5-POINT
 - ELECTRIC SOLENOID LOCK
- STILES
- MEDIUM
- MUNTINS
- 1 2
- JAMBS
- 4 1/2" 6"
- BOTTOM RAILS
- STANDARD 10"
- THRESHOLDS
- SQ/BVL (EXT) SQ/BVL (INT)
 - DBL BVL RECESSED
- ACTIVATION/SAFETY
- 2 COMBINED ACTIVATION/SAFETY SENSORS
- OTHER OPTIONS
- ROTARY CTRL SWITCH KEYED
 - UNINTERRUPTIBLE POWER SUPPLY
 - FLY OPEN BOX
 - WIND DAMPERS
 - ALARM CONTACTS

| MAX. PACKAGE DIMENSIONS (MEDIUM STILE) | | | | |
|--|----------------------------|--------------------------|-------------------------------|-------------------------------------|
| PACKAGE WIDTH | NOMINAL CLEAR DOOR OPENING | DOOR PANEL NOMINAL WIDTH | EMERGENCY BREAKOUT NOM. WIDTH | PACKAGE HEIGHT MAX AT PACKAGE WIDTH |
| 179.5" | 72.0" | 46.3" | 83.5" | 128.0" |
| 192.0" | 78.3" | 49.4" | 89.8" | 104.0" |

DESIGN RATINGS

| | |
|-------------------------------------|--------------------------------|
| MISSILE IMPACT RATING | |
| <input checked="" type="checkbox"/> | LARGE AND SMALL MISSILE IMPACT |
| DESIGN PRESSURE RATING (PSF [Pa]) | |
| POSITIVE | 55 PSF [2633 Pa] |
| NEGATIVE | 55 PSF [2633 Pa] |

BI-PART, STEEL REINFORCED

DURA-STORM
2000
IMPACT
SERIES

STANLEY
Access Technologies

BI-PART FORMULAS -- MEDIUM STILE

PACKAGE WIDTH = 2 X CLEAR DOOR OPENING + 35.5"
 CLEAR DOOR OPENING = 1/2 PACKAGE WIDTH - 17.8"
 EMERGENCY BREAKOUT WIDTH = CLEAR DOOR OPENING + 11.5"
 DOOR PANEL WIDTH = 1/4 PACKAGE WIDTH + 1.4"

DURA-STORM
2000
IMPACT
SERIES

BI-PARTING

PROJECT INFORMATION

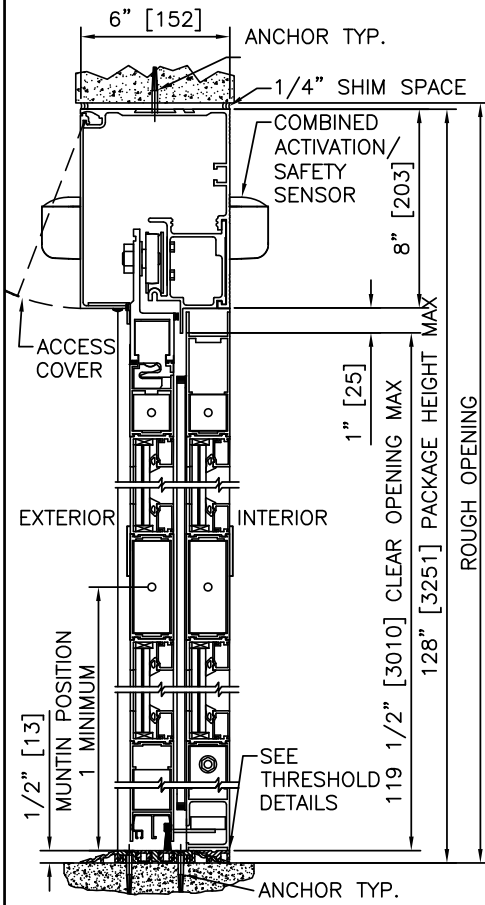
PROJECT NAME:

LOCATION:

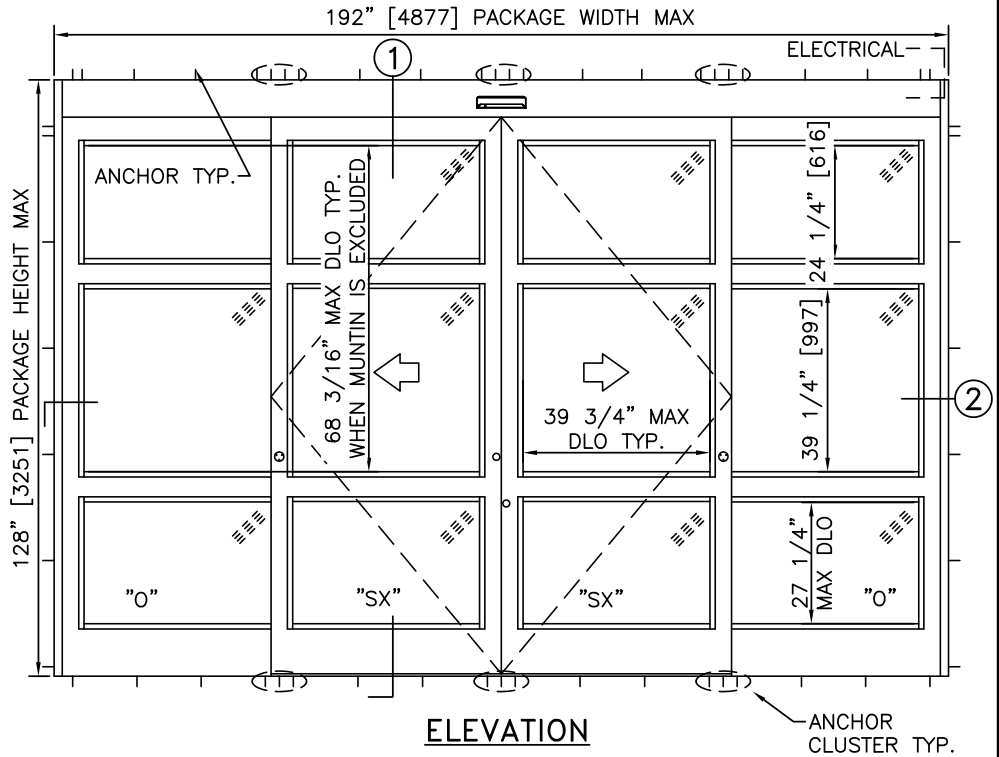
DOOR NUMBER(S):

DATE:

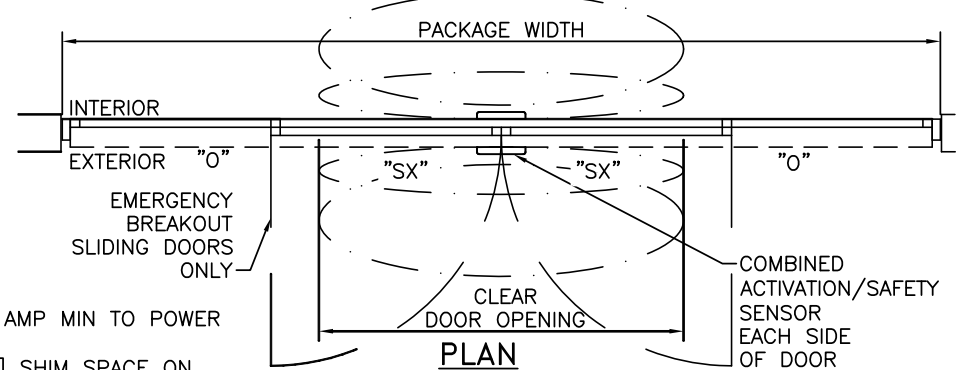
SHEET: OF



① VERTICAL SECTION



ELEVATION

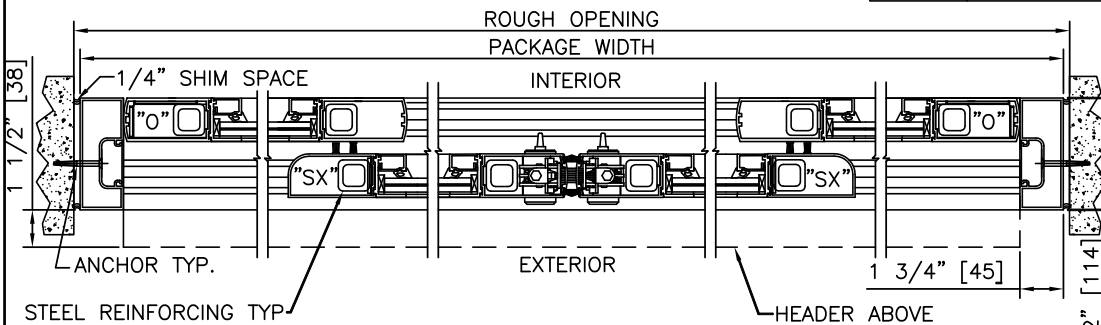


PLAN

NOTES

1. ELECTRICAL REQUIREMENTS: 120 VAC, 5 AMP MIN TO POWER OPERATOR BY ELECTRICAL CONTRACTOR.
2. ROUGH OPENING SHALL PROVIDE 1/4" [6] SHIM SPACE ON SIDES AND TOP OF PACKAGE.
3. ACTIVATION AND SAFETY ZONES ARE FOR REFERENCE ONLY; SEE ANSI/BHMA A156.10 FOR DETAILED REQUIREMENTS.
4. PRODUCT SHALL BE MANUFACTURED AND INSTALLED IN ACCORDANCE WITH PRODUCT APPROVALS; SEE MIAMI-DADE COUNTY NOTICE OF ACCEPTANCE OR FLORIDA BUILDING CODE APPROVAL.
5. SEE SPECIFICATIONS FOR ADDITIONAL INFORMATION.

| MAX. PACKAGE DIMENSIONS (MEDIUM STYLE) | | | | |
|--|----------------------------|--------------------------|-------------------------------|-------------------------------------|
| PACKAGE WIDTH | NOMINAL CLEAR DOOR OPENING | DOOR PANEL NOMINAL WIDTH | EMERGENCY BREAKOUT NOM. WIDTH | PACKAGE HEIGHT MAX AT PACKAGE WIDTH |
| 179.5" | 72.0" | 46.3" | 83.5" | 128.0" |
| 192.0" | 78.3" | 49.4" | 89.8" | 104.0" |



② HORIZONTAL SECTION

| DESIGN RATINGS | |
|-------------------------------------|--------------------------------|
| MISSILE IMPACT RATING | |
| <input checked="" type="checkbox"/> | LARGE AND SMALL MISSILE IMPACT |
| DESIGN PRESSURE RATING (PSF [Pa]) | |
| POSITIVE | 55 PSF [2633 Pa] |
| NEGATIVE | 55 PSF [2633 Pa] |

DURA-STORM
2000
IMPACT
SERIES

BI-PARTING WITH AUTOMATIC LOCKING

PROJECT INFORMATION

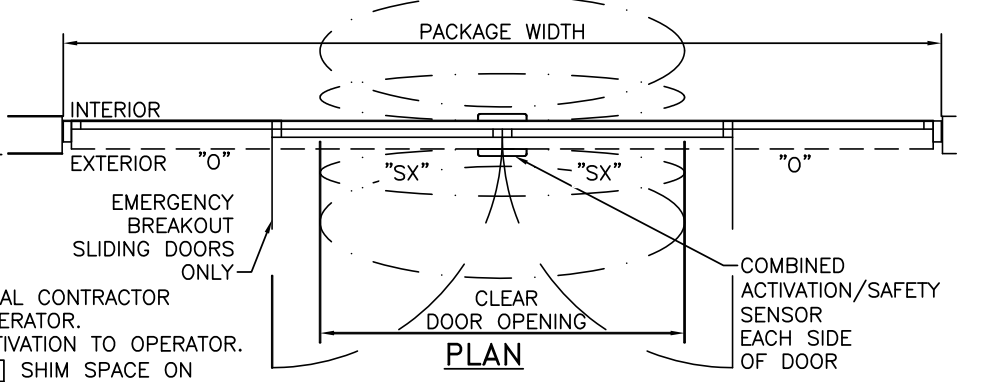
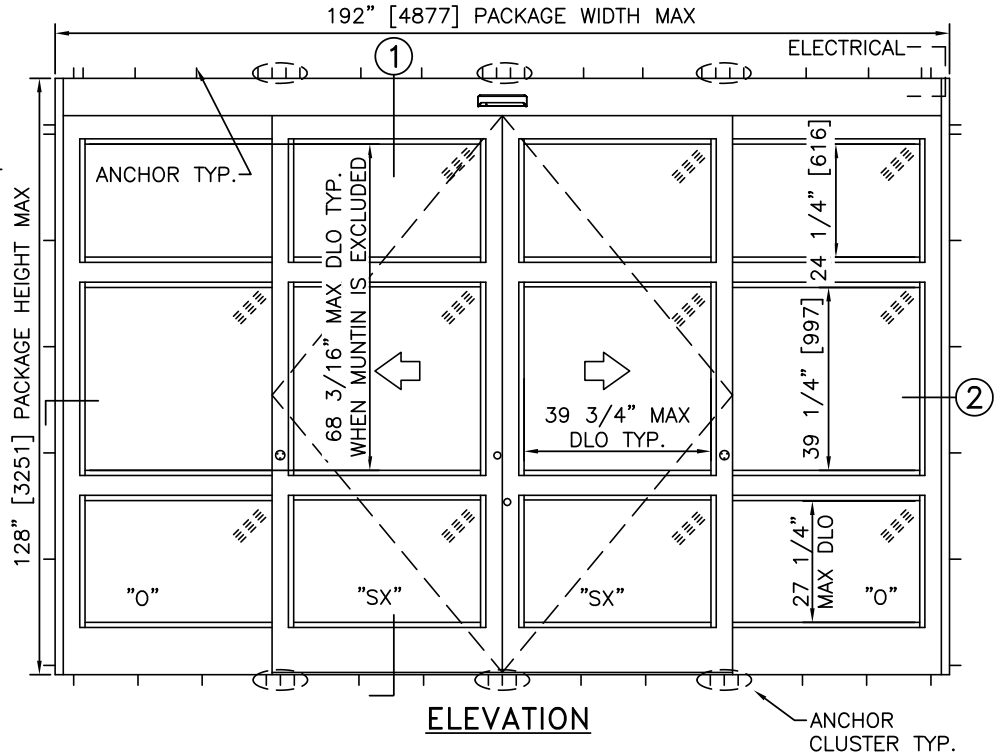
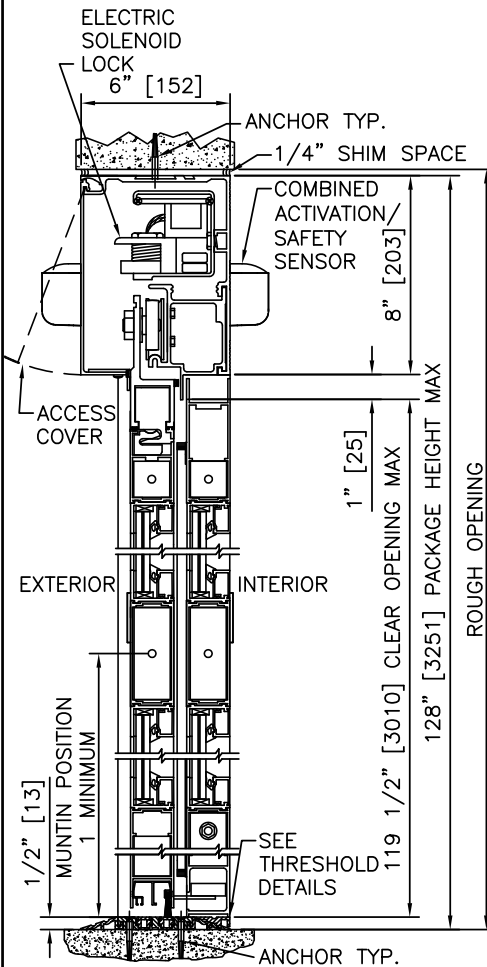
PROJECT NAME:

LOCATION:

DOOR NUMBER(S):

DATE:

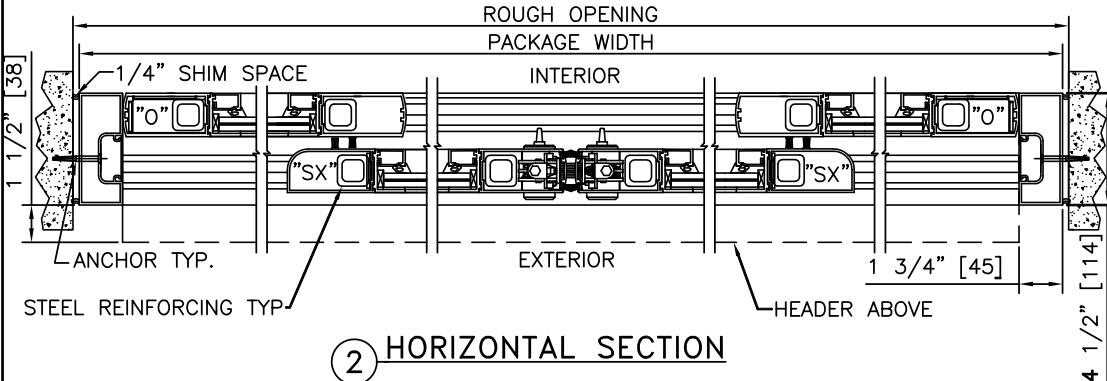
SHEET: OF



NOTES

1. ELECTRICAL REQUIREMENTS: BY ELECTRICAL CONTRACTOR
 - 1.1. 120 VAC, 5 AMP MIN TO POWER OPERATOR.
 - 1.2. CONTROL CIRCUIT FROM SECURE ACTIVATION TO OPERATOR.
2. ROUGH OPENING SHALL PROVIDE 1/4"[6] SHIM SPACE ON SIDES AND TOP OF PACKAGE.
3. ACTIVATION AND SAFETY ZONES ARE FOR REFERENCE ONLY; SEE ANSI/BHMA A156.10 FOR DETAILED REQUIREMENTS.
4. PRODUCT SHALL BE MANUFACTURED AND INSTALLED IN ACCORDANCE WITH PRODUCT APPROVALS; SEE MIAMI-DADE COUNTY NOTICE OF ACCEPTANCE OR FLORIDA BUILDING CODE APPROVAL
5. SEE SPECIFICATIONS FOR ADDITIONAL INFORMATION.

| MAX. PACKAGE DIMENSIONS (MEDIUM STILE) | | | | |
|--|----------------------------|--------------------------|-------------------------------|-------------------------------------|
| PACKAGE WIDTH | NOMINAL CLEAR DOOR OPENING | DOOR PANEL NOMINAL WIDTH | EMERGENCY BREAKOUT NOM. WIDTH | PACKAGE HEIGHT MAX AT PACKAGE WIDTH |
| 179.5" | 72.0" | 46.3" | 83.5" | 128.0" |
| 192.0" | 78.3" | 49.4" | 89.8" | 104.0" |



| DESIGN RATINGS | |
|-------------------------------------|--------------------------------|
| MISSILE IMPACT RATING | |
| <input checked="" type="checkbox"/> | LARGE AND SMALL MISSILE IMPACT |
| DESIGN PRESSURE RATING (PSF[Pa]) | |
| POSITIVE | 55 PSF [2633 Pa] |
| NEGATIVE | 55 PSF [2633 Pa] |