

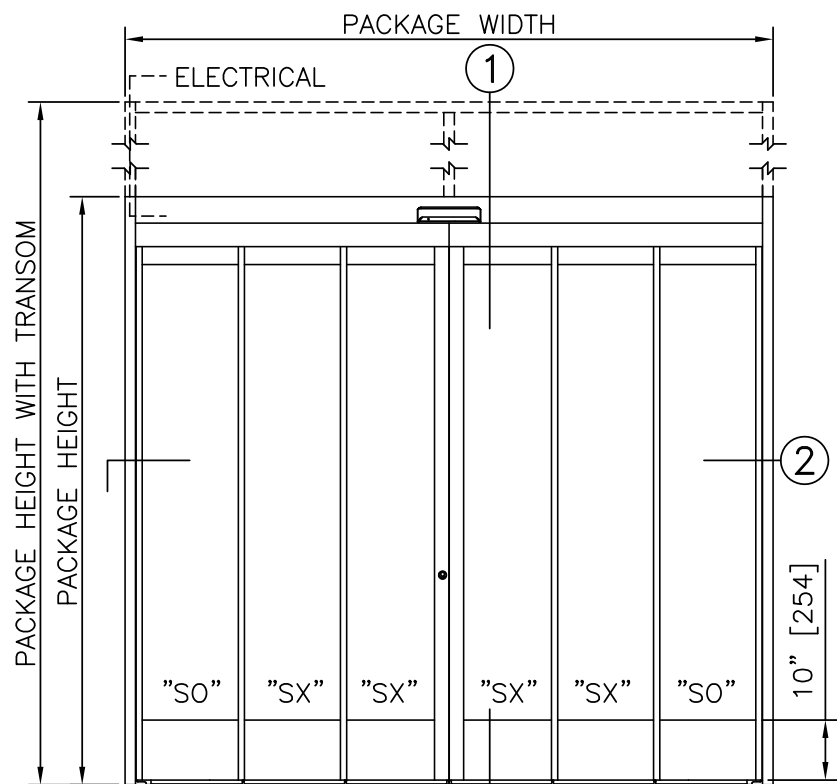
STANLEY
Access Technologies

DURAFIT
SERIES

6-PANEL TELESCOPING WITH OPTIONAL TRANSOM

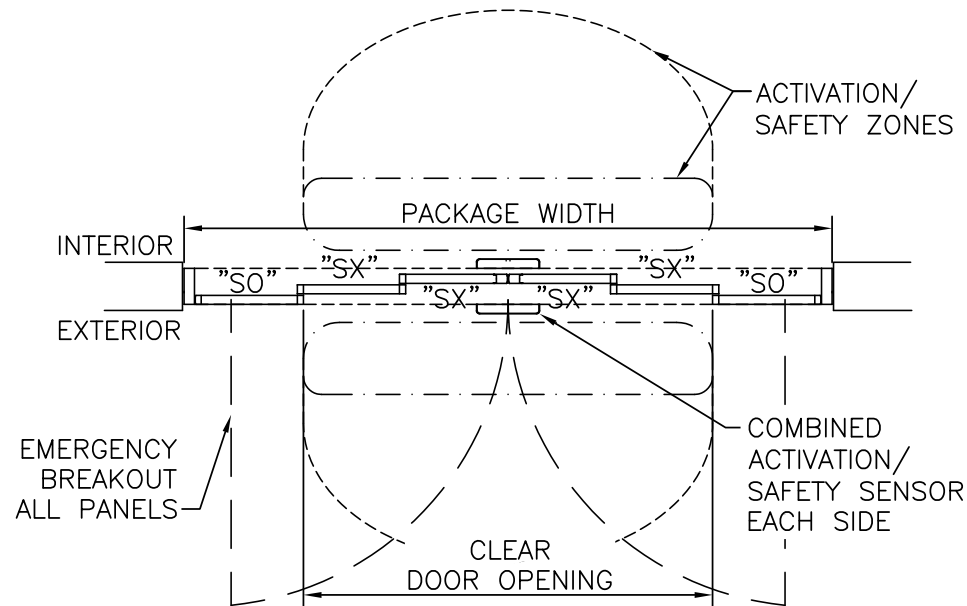
PROJECT INFORMATION

PROJECT NAME:	
LOCATION:	
DOOR NUMBER(S):	
DATE:	SHEET: OF



ELEVATION VIEW

SCALE: 3/8" = 1'-0"

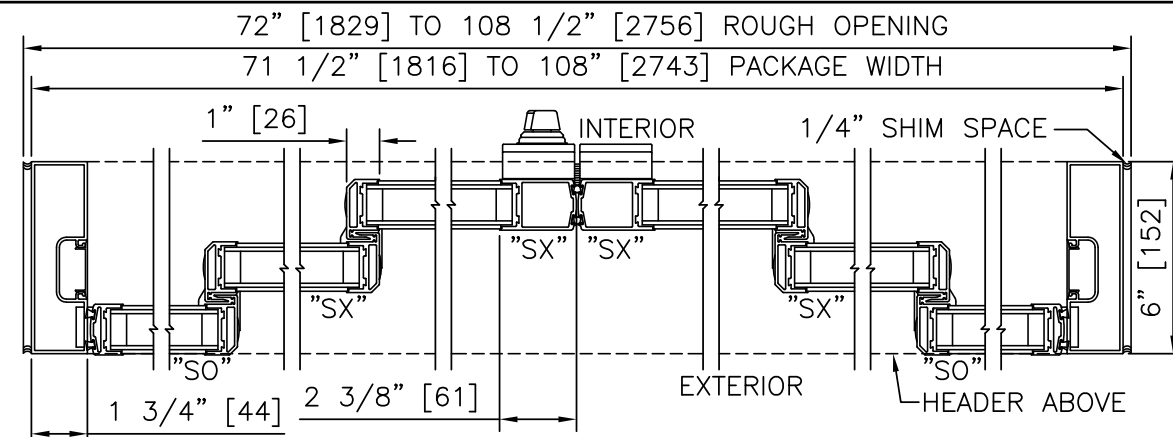


PLAN VIEW

SCALE: 3/8" = 1'-0"

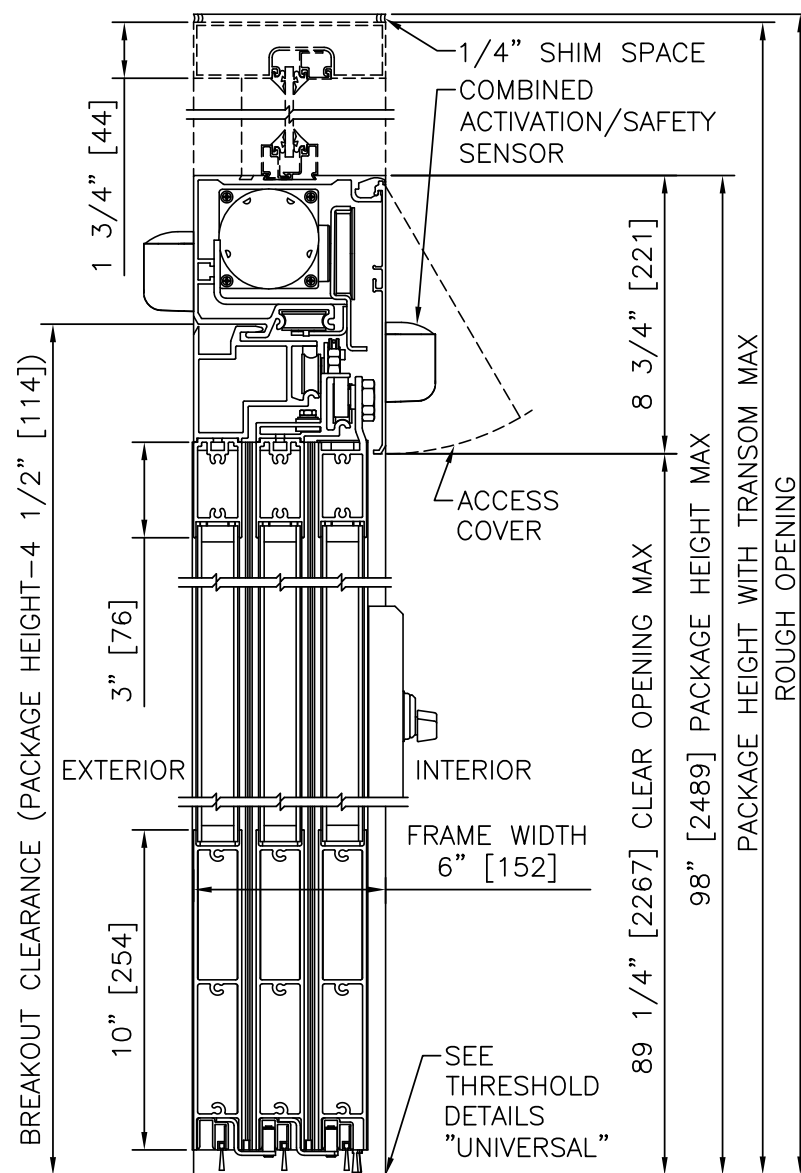
NOTES

- ELECTRICAL REQUIREMENTS: 120 VAC, 5 AMP MIN TO POWER OPERATOR BY ELECTRICAL CONTRACTOR.
- ROUGH OPENING SHALL PROVIDE 1/4"[6] SHIM SPACE ON SIDES AND TOP OF PACKAGE.
- LIMITS OF ACTIVATION AND SAFETY ZONES ARE FOR REFERENCE ONLY; SEE ANSI/BHMA A156.10 FOR DETAILED REQUIREMENTS.
- THE FOLLOWING ITEMS ARE PROVIDED AS STANDARD ON THIS PRODUCT: 2-POINT LOCKING, 1-1/4"[32] INSULATED GLAZING, 1 3/4"[44] JAMBS, AND 10"[254] BOTTOM RAIL.
- SEE SPECIFICATIONS FOR ADDITIONAL INFORMATION.



HORIZONTAL SECTION

SCALE: 2" = 1'-0"



VERTICAL SECTION

SCALE: 2" = 1'-0"

PRODUCT OPTIONS

- TRANSOM**
- YES
 - VERTICALS 1 2 3 4 5
 - HORIZONTALS 1
- FINISH**
- ANODIZED CLEAR CL2
 - ANODIZED DK BRONZE
 - CUSTOM
- LOCKING**
- MECHANICAL LOCKING (DEADLOCK)
 - ELECTRIC SOLENOID LOCK
 - PANIC DEVICE
 - ACCESS CONTROL (SOLENOID + PANIC)
- BOTTOM RAILS**
- 10" (STD)
 - 3"
- THRESHOLDS**
- SQ/BVL (EXT)
 - SQ/BVL (INT)
 - DBL BVL
 - RECESSED
 - NONE
- ACTIVATION/SAFETY**
- 2 COMBINED ACTIVATION/SAFETY SENSORS (STD)
- OTHER OPTIONS**
- ROTARY CONTROL SWITCH
 - ROTARY CONTROL SWITCH, KEYED
 - ECO PRO CONTROL UNIT
 - LOCK POSITION INDICATOR
 - DOOR POSITION SWITCH
 - ALARM CONTACTS

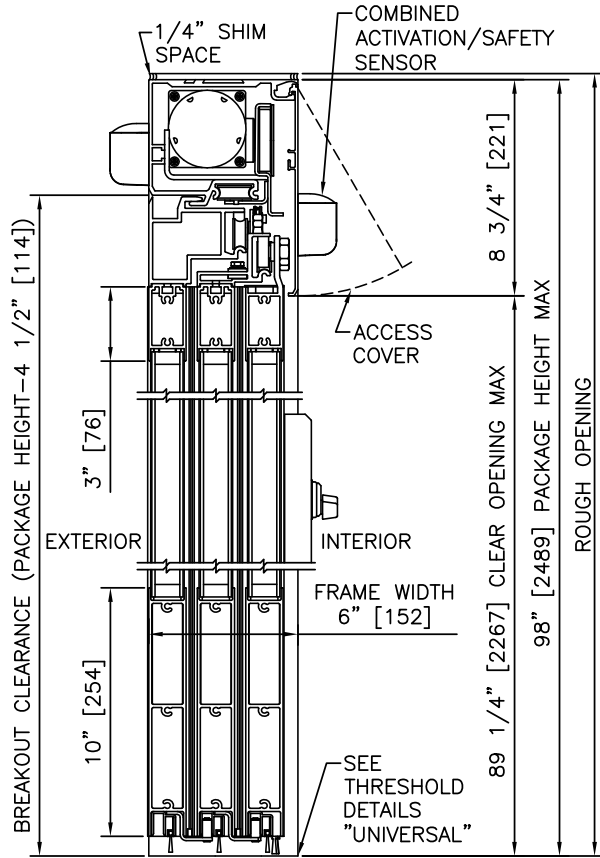
BI-PART FORMULAS
 PACKAGE WIDTH = 3/2 X CLEAR DOOR OPENING + 5.75"
 CLEAR DOOR OPENING = 2/3 X PACKAGE WIDTH - 3.83"
 EMERGENCY BREAKOUT WIDTH = PACKAGE WIDTH - 15.67"
 DOOR PANEL WIDTH = 1/6 X PACKAGE WIDTH + 0.06"

TYPICAL PACKAGE DIMENSIONS			
PACKAGE WIDTH	NOMINAL CLEAR DOOR OPENING	DOOR PANEL NOMINAL WIDTH	EMERGENCY BREAKOUT NOM. WIDTH
71.5"	43.8"	12.0"	55.9"
84.0"	52.2"	14.1"	68.3"
96.0"	60.2"	16.1"	80.3"
108.0"	68.2"	18.1"	92.3"

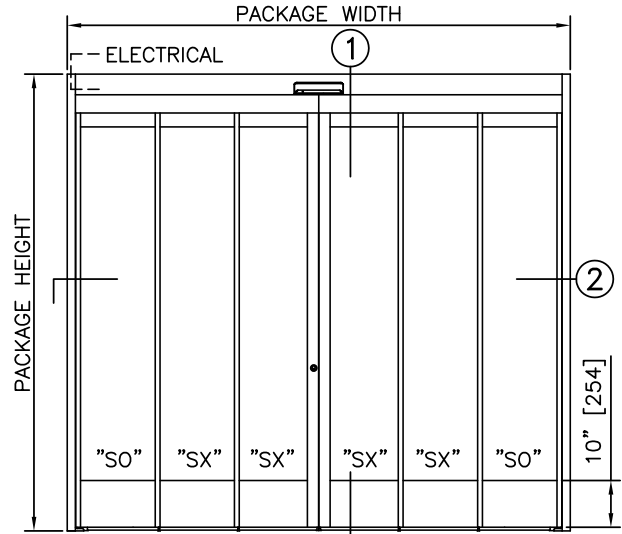
6-PANEL TELESCOPING WITH OPTIONAL TRANSOM

DURAFIT
SERIES

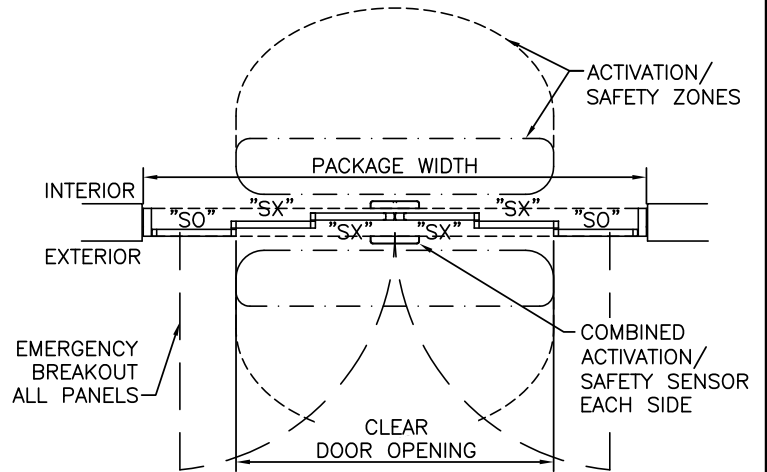
STANLEY
Access Technologies



1 VERTICAL SECTION



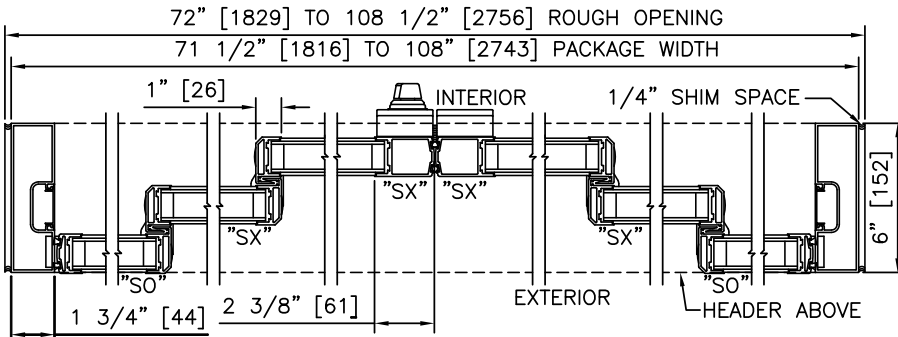
ELEVATION



PLAN

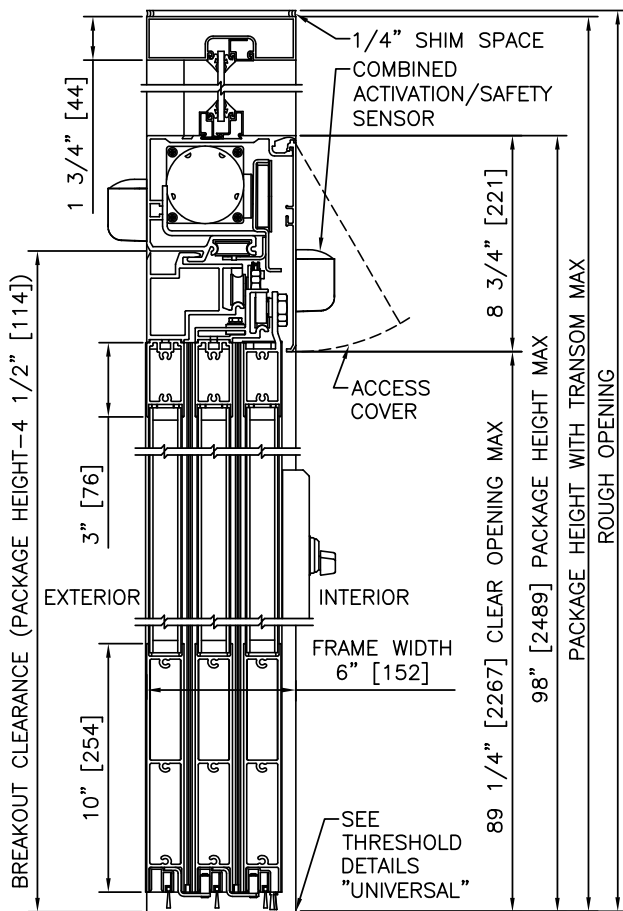
NOTES

1. ELECTRICAL REQUIREMENTS: 120 VAC, 5 AMP MIN TO POWER OPERATOR BY ELECTRICAL CONTRACTOR.
2. ROUGH OPENING SHALL PROVIDE 1/4"[6] SHIM SPACE ON SIDES AND TOP OF PACKAGE.
3. LIMITS OF ACTIVATION AND SAFETY ZONES ARE FOR REFERENCE ONLY; SEE ANSI/BHMA A156.10 FOR DETAILED REQUIREMENTS.
4. SEE SPECIFICATIONS FOR ADDITIONAL INFORMATION.

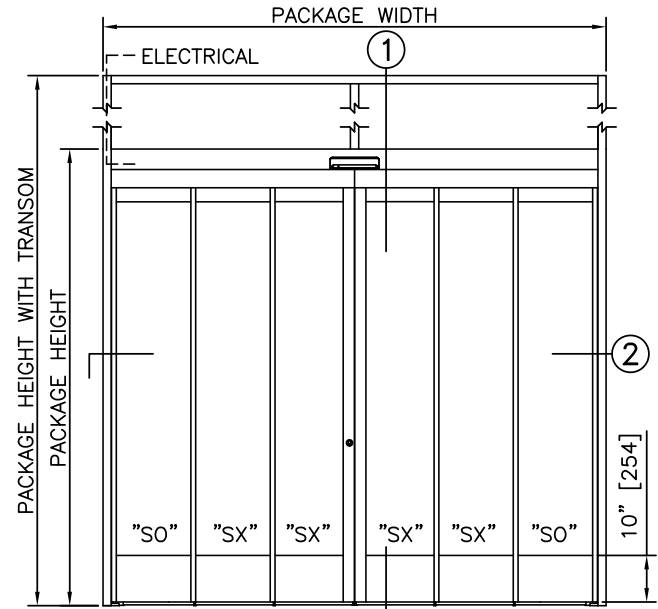


2 HORIZONTAL SECTION

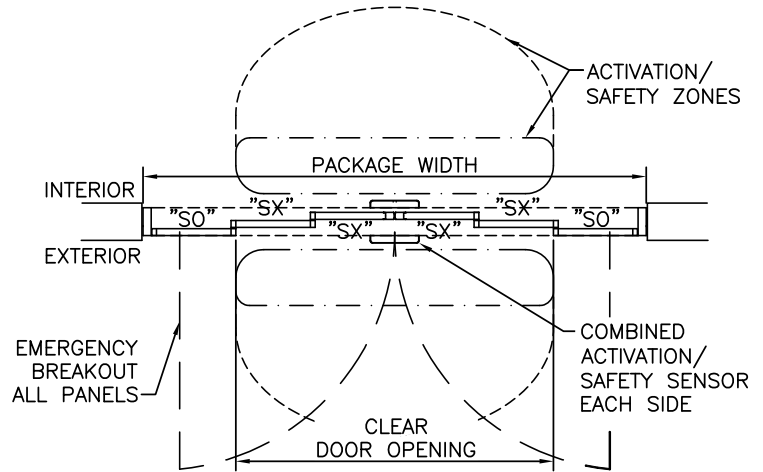
TYPICAL PACKAGE DIMENSIONS			
PACKAGE WIDTH	NOMINAL CLEAR DOOR OPENING	DOOR PANEL NOMINAL WIDTH	EMERGENCY BREAKOUT NOM. WIDTH
71.5"	43.8"	12.0"	55.9"
84.0"	52.2"	14.1"	68.3"
96.0"	60.2"	16.1"	80.3"
108.0"	68.2"	18.1"	92.3"



1 VERTICAL SECTION



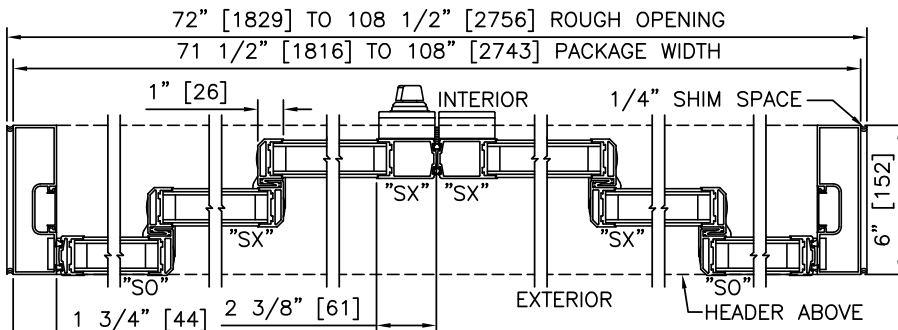
ELEVATION



PLAN

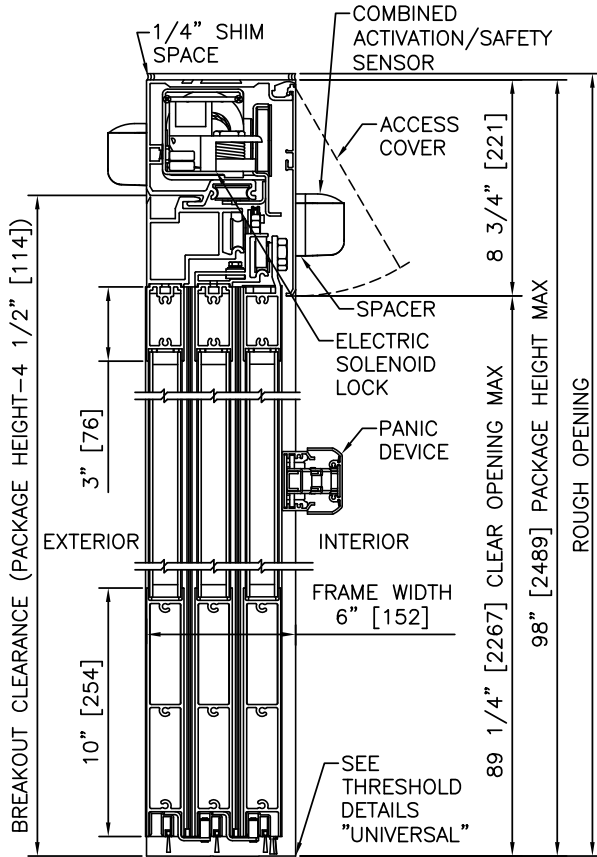
NOTES

1. ELECTRICAL REQUIREMENTS: 120 VAC, 5 AMP MIN TO POWER OPERATOR BY ELECTRICAL CONTRACTOR.
2. ROUGH OPENING SHALL PROVIDE 1/4"[6] SHIM SPACE ON SIDES AND TOP OF PACKAGE.
3. LIMITS OF ACTIVATION AND SAFETY ZONES ARE FOR REFERENCE ONLY; SEE ANSI/BHMA A156.10 FOR DETAILED REQUIREMENTS.
4. SEE SPECIFICATIONS FOR ADDITIONAL INFORMATION.

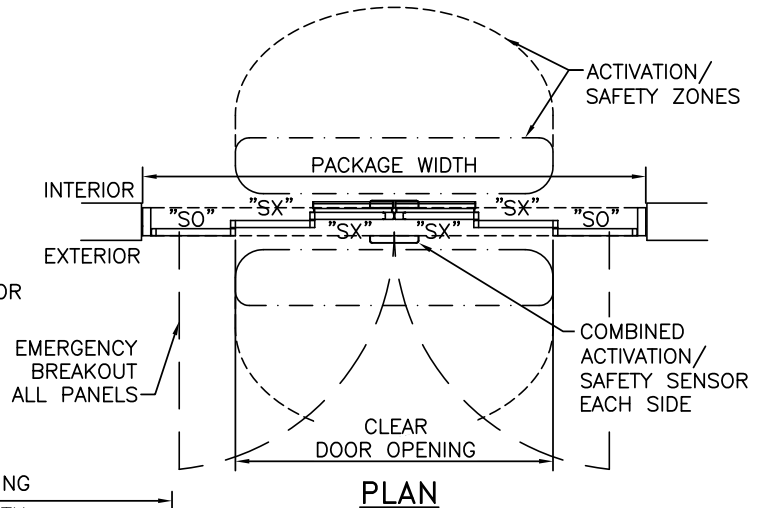
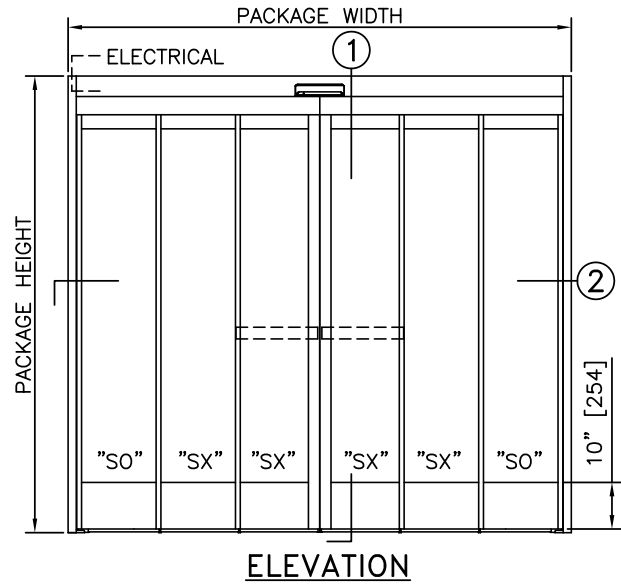


2 HORIZONTAL SECTION

TYPICAL PACKAGE DIMENSIONS			
PACKAGE WIDTH	NOMINAL CLEAR DOOR OPENING	DOOR PANEL NOMINAL WIDTH	EMERGENCY BREAKOUT NOM. WIDTH
71.5"	43.8"	12.0"	55.9"
84.0"	52.2"	14.1"	68.3"
96.0"	60.2"	16.1"	80.3"
108.0"	68.2"	18.1"	92.3"

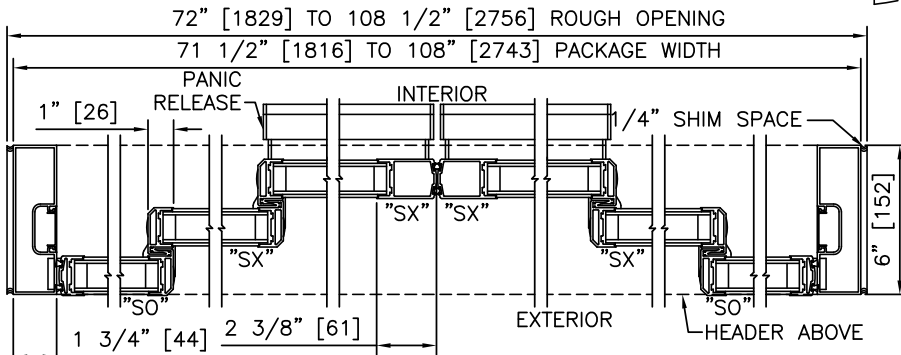


① VERTICAL SECTION



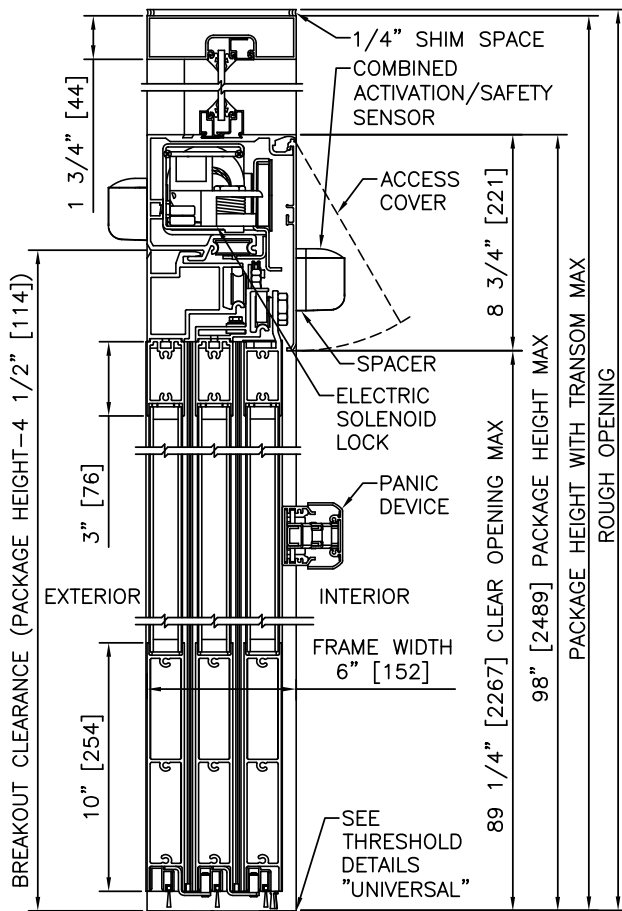
NOTES

1. ELECTRICAL REQUIREMENTS: BY ELECTRICAL CONTRACTOR
 - 1.1. 120 VAC, 5 AMP MIN TO POWER OPERATOR
 - 1.2. CONTROL CIRCUIT FROM SECURE ACTIVATION TO OPERATOR
2. ROUGH OPENING SHALL PROVIDE 1/4"[6] SHIM SPACE ON SIDES AND TOP OF PACKAGE.
3. LIMITS OF ACTIVATION AND SAFETY ZONES ARE FOR REFERENCE ONLY; SEE ANSI/BHMA A156.10 FOR DETAILED REQUIREMENTS.
4. SEE SPECIFICATIONS FOR ADDITIONAL INFORMATION.

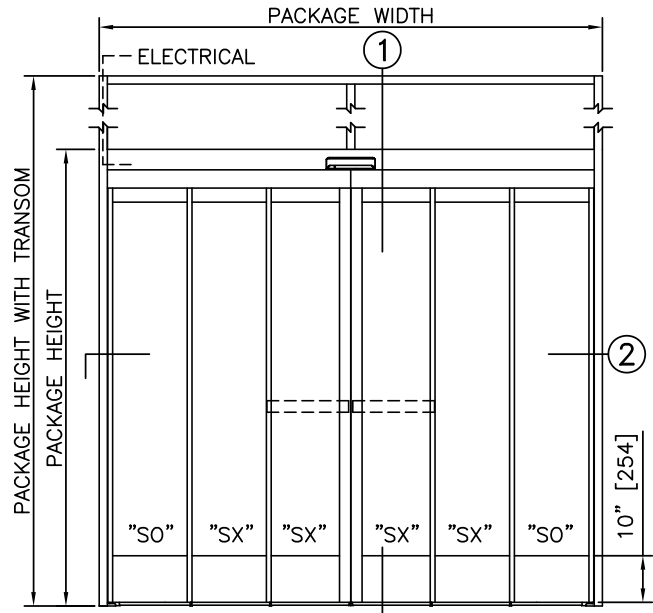


② HORIZONTAL SECTION

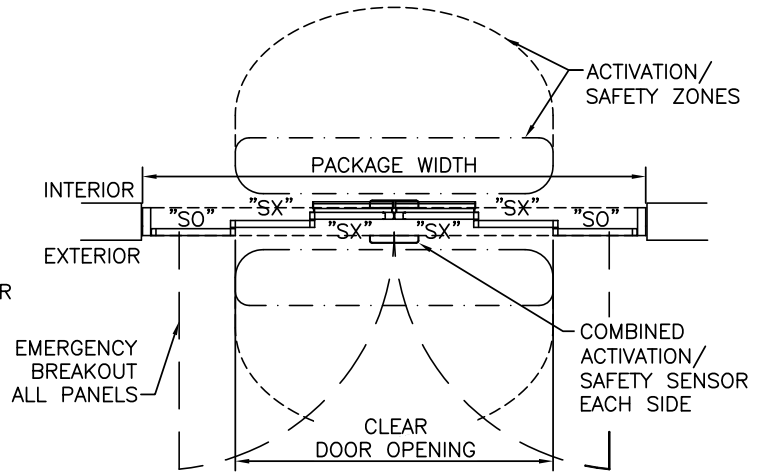
TYPICAL PACKAGE DIMENSIONS			
PACKAGE WIDTH	NOMINAL CLEAR DOOR OPENING	DOOR PANEL NOMINAL WIDTH	EMERGENCY BREAKOUT NOM. WIDTH
71.5"	43.8"	12.0"	55.9"
84.0"	52.2"	14.1"	68.3"
96.0"	60.2"	16.1"	80.3"
108.0"	68.2"	18.1"	92.3"



1 VERTICAL SECTION



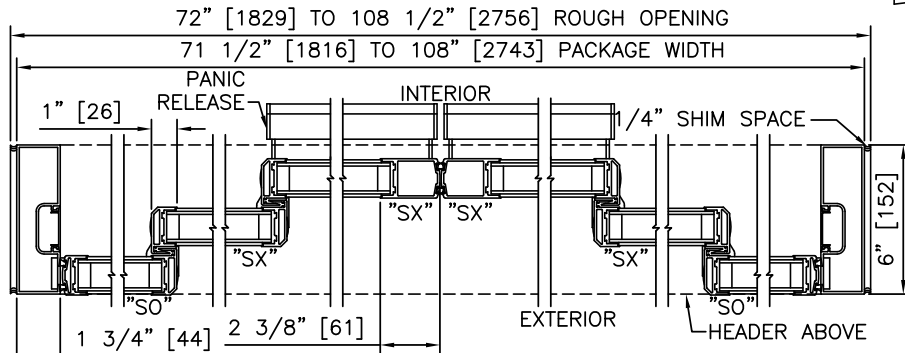
ELEVATION



PLAN

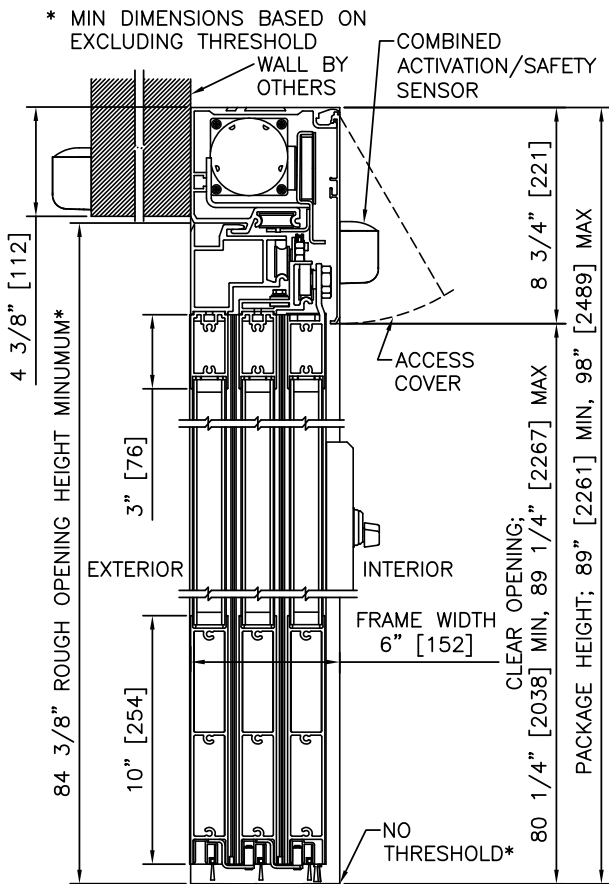
NOTES

1. ELECTRICAL REQUIREMENTS: BY ELECTRICAL CONTRACTOR
 - 1.1. 120 VAC, 5 AMP MIN TO POWER OPERATOR
 - 1.2. CONTROL CIRCUIT FROM SECURE ACTIVATION TO OPERATOR
2. ROUGH OPENING SHALL PROVIDE 1/4" [6] SHIM SPACE ON SIDES AND TOP OF PACKAGE.
3. LIMITS OF ACTIVATION AND SAFETY ZONES ARE FOR REFERENCE ONLY; SEE ANSI/BHMA A156.10 FOR DETAILED REQUIREMENTS.
4. SEE SPECIFICATIONS FOR ADDITIONAL INFORMATION.

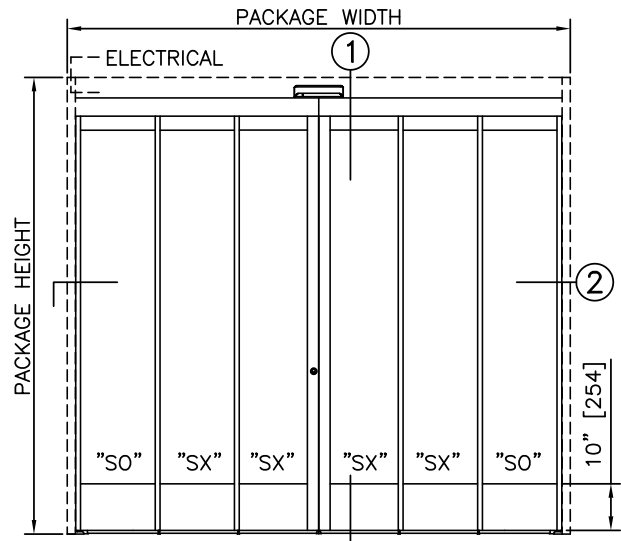


2 HORIZONTAL SECTION

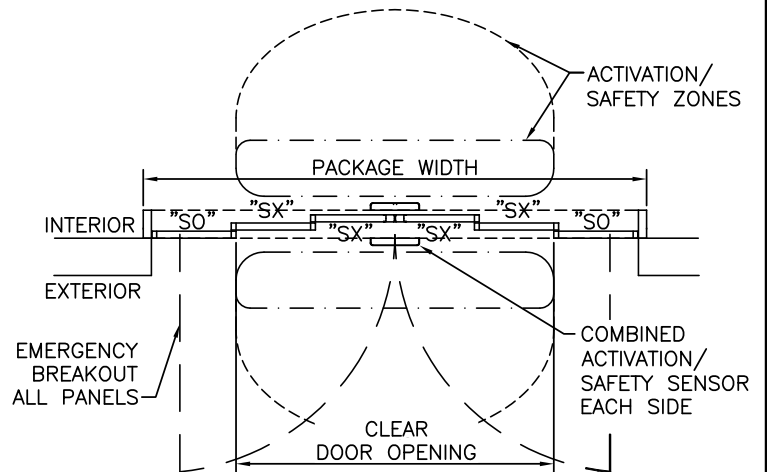
TYPICAL PACKAGE DIMENSIONS			
PACKAGE WIDTH	NOMINAL CLEAR DOOR OPENING	DOOR PANEL NOMINAL WIDTH	EMERGENCY BREAKOUT NOM. WIDTH
71.5"	43.8"	12.0"	55.9"
84.0"	52.2"	14.1"	68.3"
96.0"	60.2"	16.1"	80.3"
108.0"	68.2"	18.1"	92.3"



1 VERTICAL SECTION



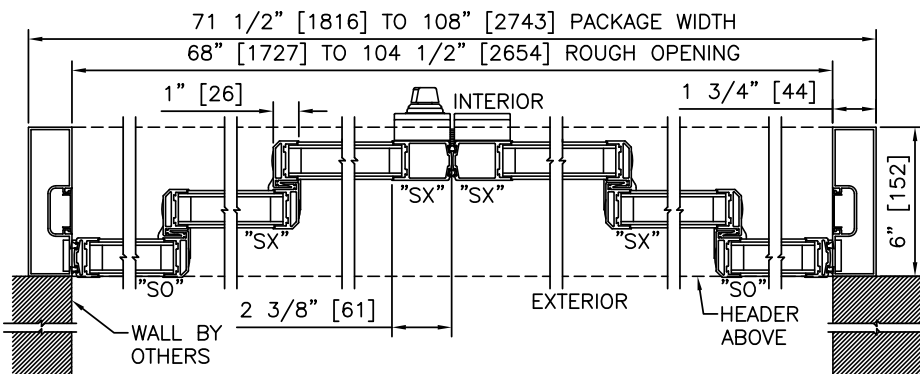
ELEVATION



PLAN

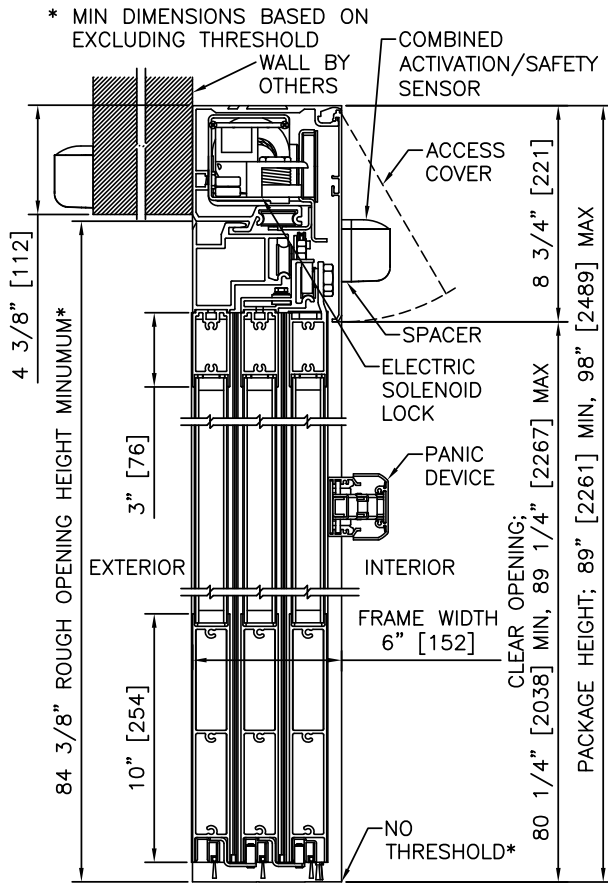
NOTES

1. ELECTRICAL REQUIREMENTS: 120 VAC, 5 AMP MIN TO POWER OPERATOR BY ELECTRICAL CONTRACTOR.
2. LIMITS OF ACTIVATION AND SAFETY ZONES ARE FOR REFERENCE ONLY; SEE ANSI/BHMA A156.10 FOR DETAILED REQUIREMENTS.
3. SEE SPECIFICATIONS FOR ADDITIONAL INFORMATION.

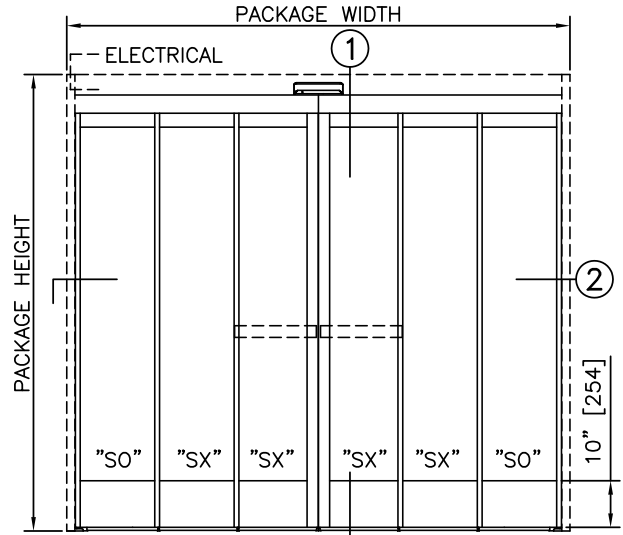


2 HORIZONTAL SECTION

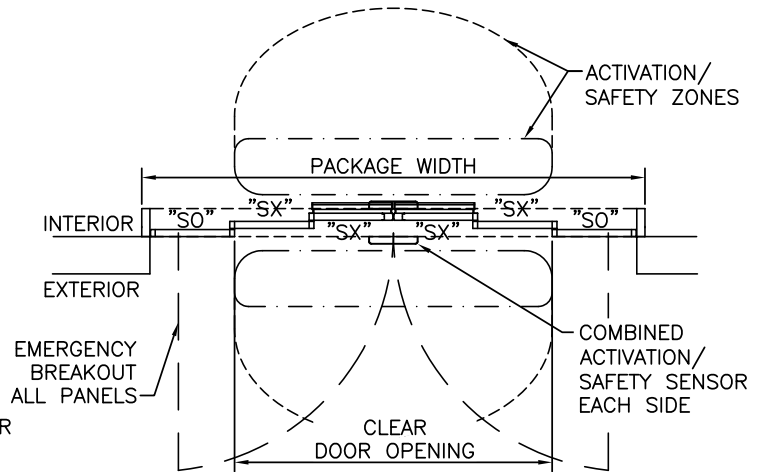
TYPICAL PACKAGE DIMENSIONS			
PACKAGE WIDTH	NOMINAL CLEAR DOOR OPENING	DOOR PANEL NOMINAL WIDTH	EMERGENCY BREAKOUT NOM. WIDTH
71.5"	43.8"	12.0"	55.9"
84.0"	52.2"	14.1"	68.3"
96.0"	60.2"	16.1"	80.3"
108.0"	68.2"	18.1"	92.3"



1 VERTICAL SECTION



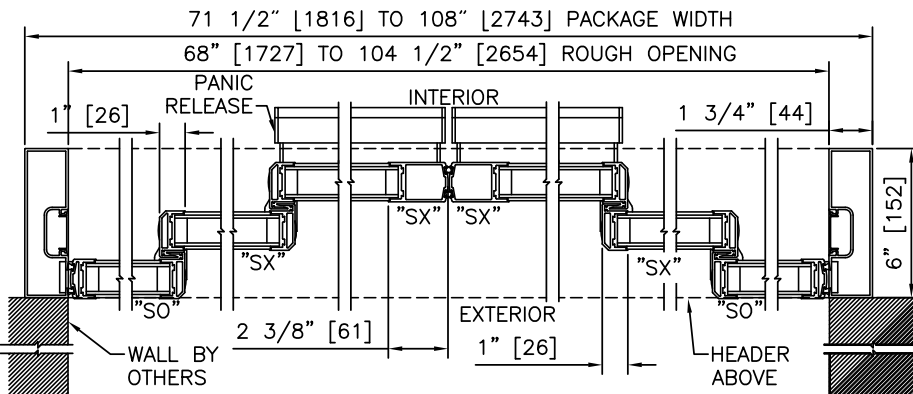
ELEVATION



PLAN

NOTES

1. ELECTRICAL REQUIREMENTS: BY ELECTRICAL CONTRACTOR
 - 1.1. 120 VAC, 5 AMP MIN TO POWER OPERATOR
 - 1.2. CONTROL CIRCUIT FROM SECURE ACTIVATION TO OPERATOR
2. LIMITS OF ACTIVATION AND SAFETY ZONES ARE FOR REFERENCE ONLY; SEE ANSI/BHMA A156.10 FOR DETAILED REQUIREMENTS.
3. SEE SPECIFICATIONS FOR ADDITIONAL INFORMATION.



2 HORIZONTAL SECTION

TYPICAL PACKAGE DIMENSIONS			
PACKAGE WIDTH	NOMINAL CLEAR DOOR OPENING	DOOR PANEL NOMINAL WIDTH	EMERGENCY BREAKOUT NOM. WIDTH
71.5"	43.8"	12.0"	55.9"
84.0"	52.2"	14.1"	68.3"
96.0"	60.2"	16.1"	80.3"
108.0"	68.2"	18.1"	92.3"