

MANUAL SWING DOOR SYSTEMS: DURA-CARE™ 7400 SERIES

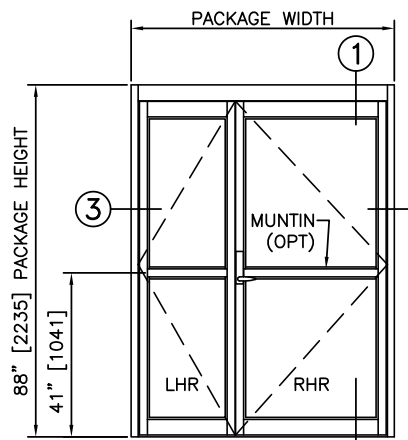
3.16 - SWING ICU, SMOKE & DRAFT

- 3.16.01 - SINGLE RIGHT HAND, 1 3/4" HEADER
- 3.16.02 - SINGLE LEFT HAND, 1 3/4" HEADER
- 3.16.03 - SINGLE RIGHT HAND, 4" HEADER
- 3.16.04 - SINGLE LEFT HAND, 4" HEADER
- 3.16.05 - UNEVEN PAIR RIGHT HAND, 1 3/4" HEADER
- 3.16.06 - UNEVEN PAIR LEFT HAND, 1 3/4" HEADER
- 3.16.07 - UNEVEN PAIR, RIGHT HAND, 4" HEADER
- 3.16.08 - UNEVEN PAIR, LEFT HAND, 4" HEADER
- 3.16.09 - PAIR 1 3/4" HEADER
- 3.16.10- PAIR 4" HEADER

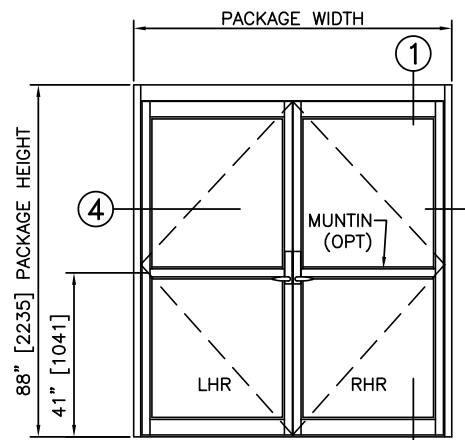


DURA-CARE™ 7400 SERIES

SWING ICU (SMOKE & DRAFT)	
PROJECT INFORMATION	
PROJECT NAME:	
LOCATION:	
DOOR NUMBER(S):	
DATE:	SHEET: OF

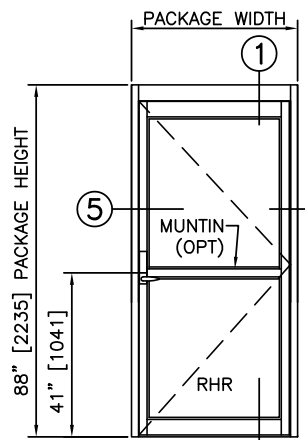


UNEVEN PAIR

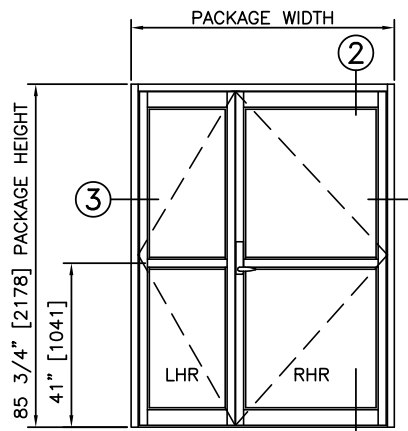


PAIR
ELEVATIONS (4" HEAD)

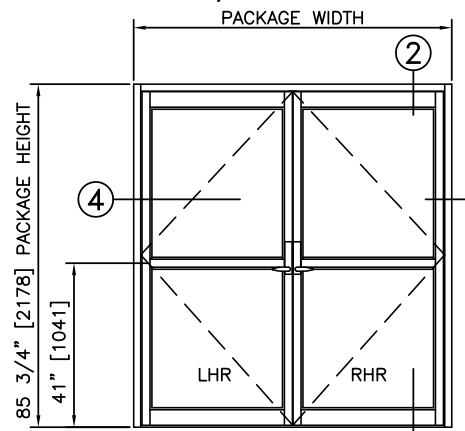
SCALE: 1/4" = 1'-0"



SINGLE

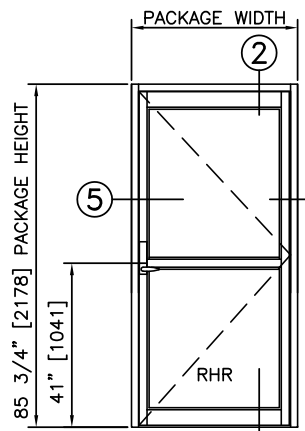


UNEVEN PAIR

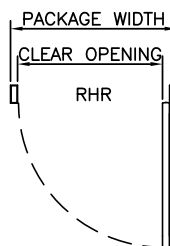
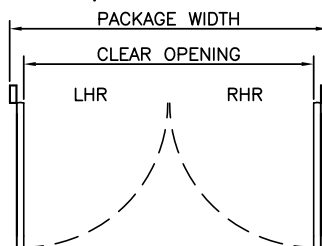
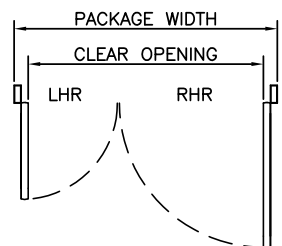


PAIR
ELEVATIONS (1 3/4" HEAD)

SCALE: 1/4" = 1'-0"



SINGLE

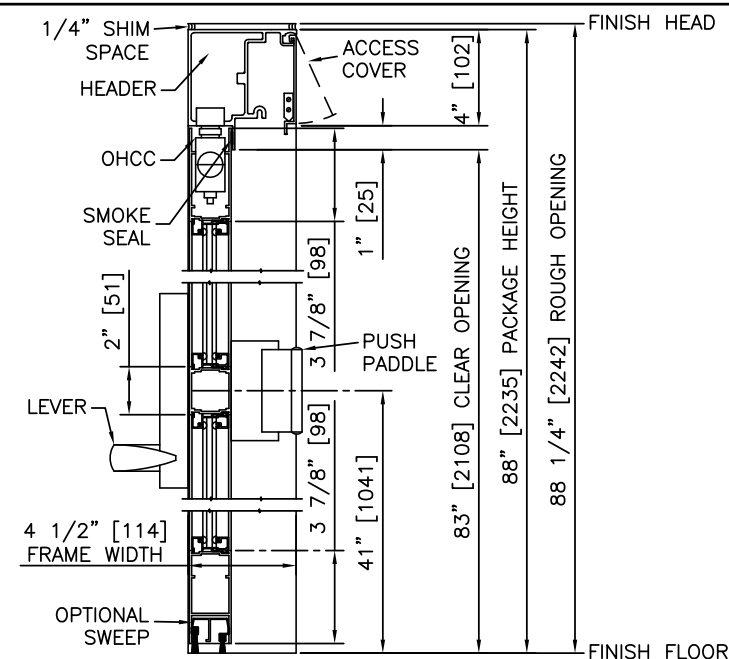


PLANS

SCALE: 1/4" = 1'-0"

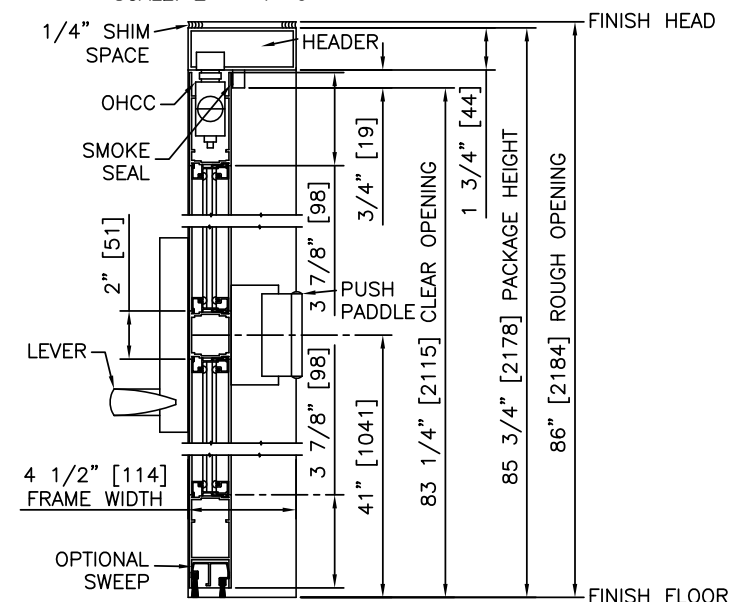
NOTES

- ROUGH OPENING SHALL PROVIDE 1/4"[6] SHIM SPACE ON SIDES AND TOP OF PACKAGE.
- STANDARD PACKAGE INCLUDES POSITIVE LATCHING.
- STANDARD GLAZING STOPS FOR ALL PANELS ARE 1/4"[6]; 5/8"[16] AND 1"[25] AVAILABLE.
- STANDARD STILES, BOTTOM RAILS AND MUNTINS SHOWN; MEDIUM STILES, BOTTOM RAILS TO 18"[457], AND 4 1/4"[108] MUNTINS AVAILABLE.
- NOT ALL CONFIGURATIONS SHOWN. INACTIVE LEAF OF UNEVEN PAIR HAS MINIMUM WITH OF 12"[305]; ACTIVE LEAVES HAVE A MAXIMUM WIDTH OF 48"[1219] AND A MINIMUM WIDTH OF 36"[914].
- ALL ACTIVE PANELS INCLUDE OVERHEAD CONCEALED CLOSERS (OHCC) WITH STOP.
- PRODUCTS SHOWN ARE CERTIFIED AS AN EFFECTIVE BARRIER AGAINST THE PASSAGE OF SMOKE IN ACCORDANCE WITH UL1784.
- SEE SPECIFICATIONS FOR ADDITIONAL INFORMATION.



VERTICAL SECTION (4" HEAD)

SCALE: 2" = 1'-0"



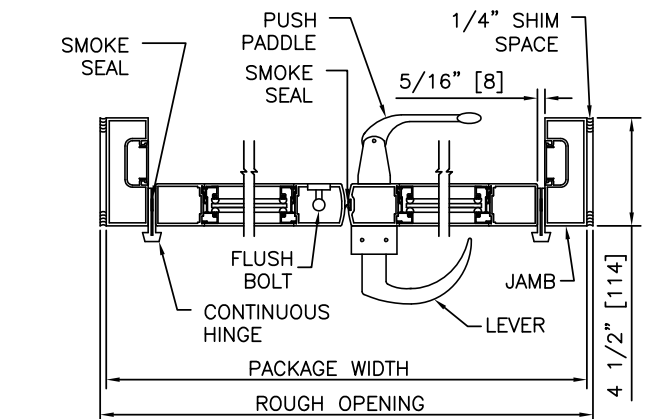
VERTICAL SECTION (1 3/4" HEAD)

SCALE: 2" = 1'-0"

TYPICAL PACKAGE DIMENSIONS, UNEVEN PAIR				
PACKAGE WIDTH	NOMINAL CLEAR OPENING	NOMINAL ACTIVE PANEL WIDTH	NOMINAL INACTIVE PANEL WIDTH	ROUGH OPENING
63.5"	55.5"	36.0"	24.0"	64.0"
69.5"	61.5"	42.0"	24.0"	70.0"
71.5"	63.5"	44.0"	24.0"	72.0"
75.5"	67.5"	48.0"	24.0"	76.0"

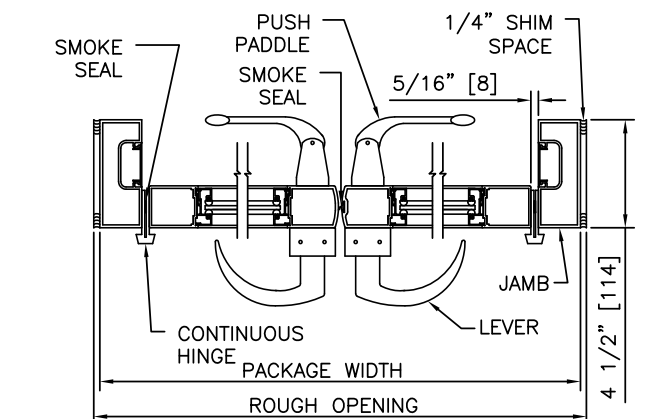
TYPICAL PACKAGE DIMENSIONS, PAIR			
PACKAGE WIDTH	NOMINAL CLEAR OPENING	NOMINAL PANEL WIDTH	ROUGH OPENING
75.5"	67.5"	36.0"	76.0"
87.5"	79.5"	42.0"	88.0"
91.5"	83.5"	44.0"	92.0"
99.5"	91.5"	48.0"	100.0"

TYPICAL PACKAGE DIMENSIONS, SINGLE			
PACKAGE WIDTH	NOMINAL CLEAR OPENING	NOMINAL PANEL WIDTH	ROUGH OPENING
39.5"	33.8"	36.0"	40.0"
45.5"	39.8"	42.0"	46.0"
47.5"	41.8"	44.0"	48.0"
51.5"	45.8"	48.0"	52.0"



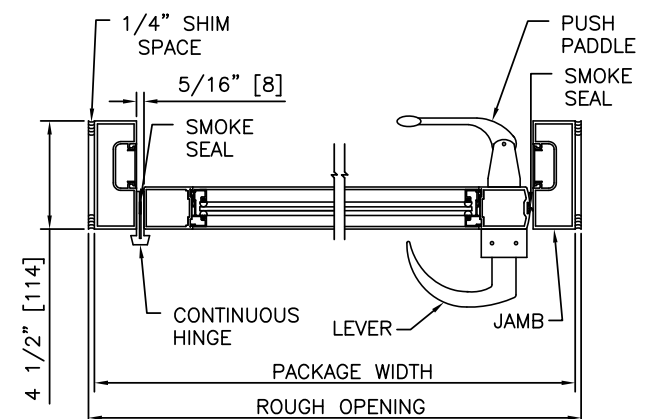
HORIZONTAL SECTION (UNEVEN PAIR)

SCALE: 1 1/2" = 1'-0"



HORIZONTAL SECTION (PAIR)

SCALE: 1 1/2" = 1'-0"



HORIZONTAL SECTION (SINGLE)

SCALE: 1 1/2" = 1'-0"

SWING ICU (SMOKE & DRAFT)

DURA-CARE™ 7400 SERIES



DURA-CARE™
7400
SERIES

SINGLE RIGHT HAND, 1 3/4" HEADER

PROJECT INFORMATION

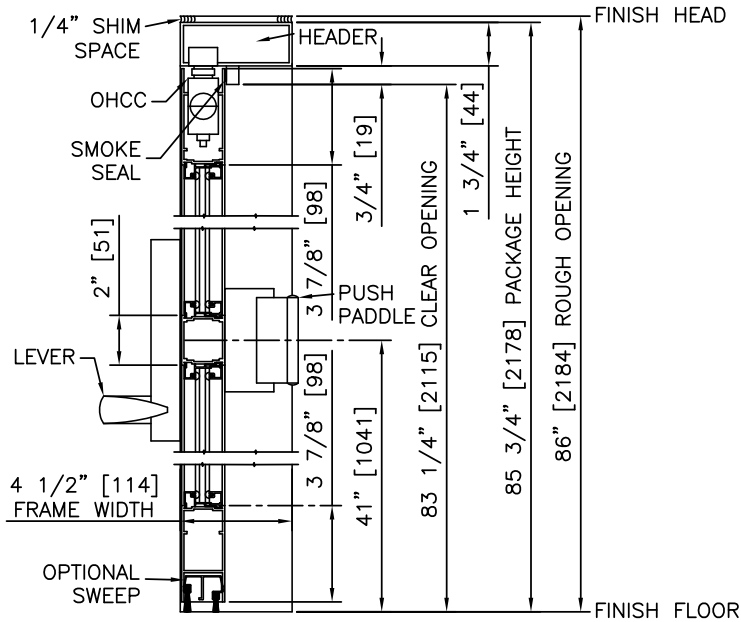
PROJECT NAME:

LOCATION:

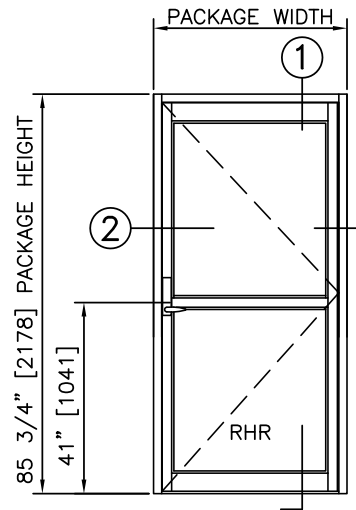
DOOR NUMBER(S):

DATE:

SHEET: OF



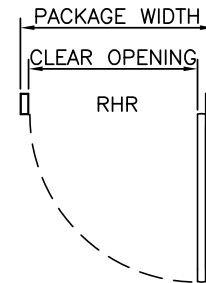
① VERTICAL SECTION



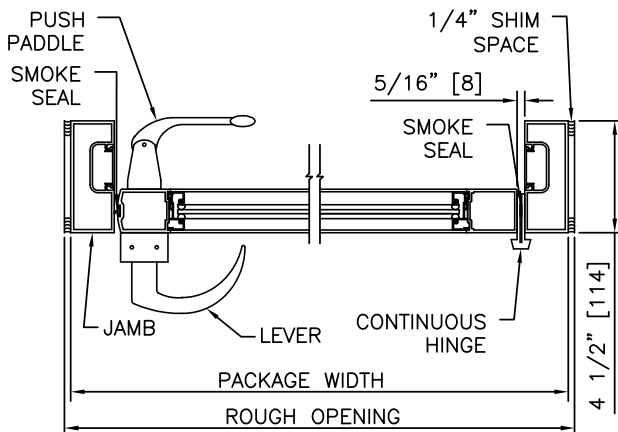
ELEVATION

NOTES

1. ROUGH OPENING SHALL PROVIDE 1/4"[6] SHIM SPACE ON SIDES AND TOP OF PACKAGE.
2. STANDARD PACKAGE INCLUDES POSITIVE LATCHING.
3. PRODUCTS SHOWN ARE CERTIFIED AS AN EFFECTIVE BARRIER AGAINST THE PASSAGE OF SMOKE IN ACCORDANCE WITH UL1784.
4. SEE SPECIFICATIONS FOR ADDITIONAL INFORMATION.



PLAN



② HORIZONTAL SECTION

TYPICAL PACKAGE DIMENSIONS, SINGLE

PACKAGE WIDTH	NOMINAL CLEAR OPENING	NOMINAL PANEL WIDTH	ROUGH OPENING
39.5"	33.8"	36.0"	40.0"
45.5"	39.8"	42.0"	46.0"
47.5"	41.8"	44.0"	48.0"
51.5"	45.8"	48.0"	52.0"

DURA-CARE™
7400
SERIES

SINGLE LEFT HAND, 1 3/4" HEADER

PROJECT INFORMATION

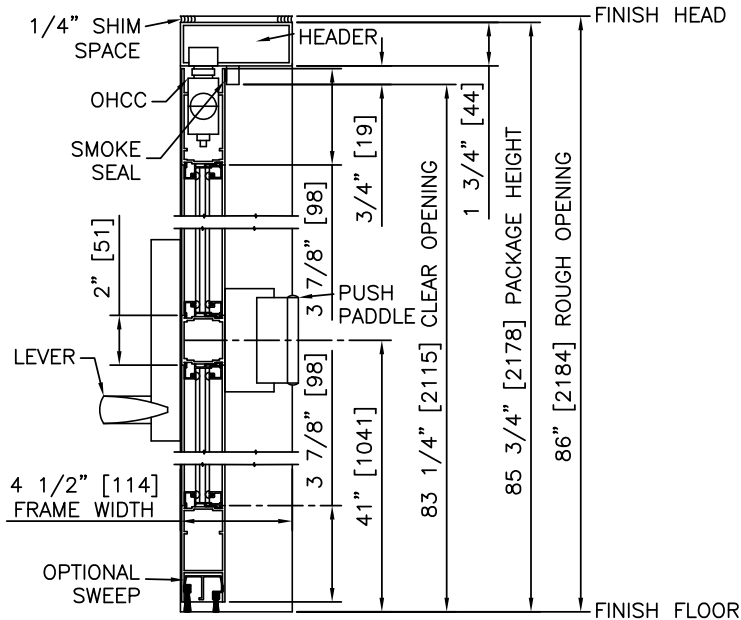
PROJECT NAME:

LOCATION:

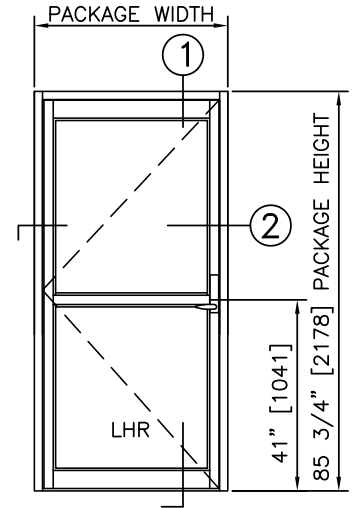
DOOR NUMBER(S):

DATE:

SHEET: OF



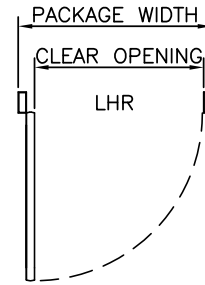
1 VERTICAL SECTION



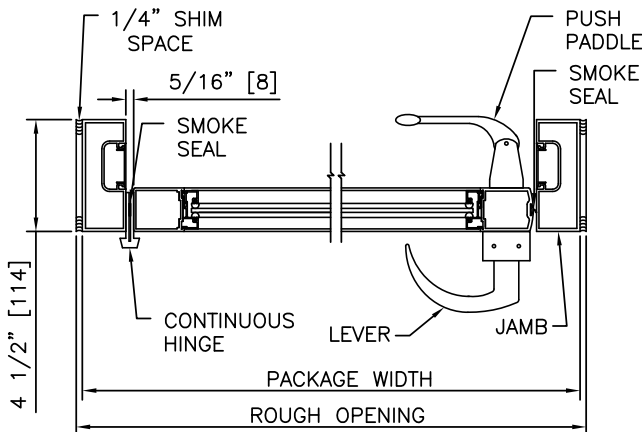
ELEVATION

NOTES

1. ROUGH OPENING SHALL PROVIDE 1/4"[6] SHIM SPACE ON SIDES AND TOP OF PACKAGE.
2. STANDARD PACKAGE INCLUDES POSITIVE LATCHING.
3. PRODUCTS SHOWN ARE CERTIFIED AS AN EFFECTIVE BARRIER AGAINST THE PASSAGE OF SMOKE IN ACCORDANCE WITH UL1784.
4. SEE SPECIFICATIONS FOR ADDITIONAL INFORMATION.



PLAN



2 HORIZONTAL SECTION

TYPICAL PACKAGE DIMENSIONS, SINGLE			
PACKAGE WIDTH	NOMINAL CLEAR OPENING	NOMINAL PANEL WIDTH	ROUGH OPENING
39.5"	33.8"	36.0"	40.0"
45.5"	39.8"	42.0"	46.0"
47.5"	41.8"	44.0"	48.0"
51.5"	45.8"	48.0"	52.0"

DURA-CARE™
7400
SERIES

SINGLE RIGHT HAND, 4" HEADER

PROJECT INFORMATION

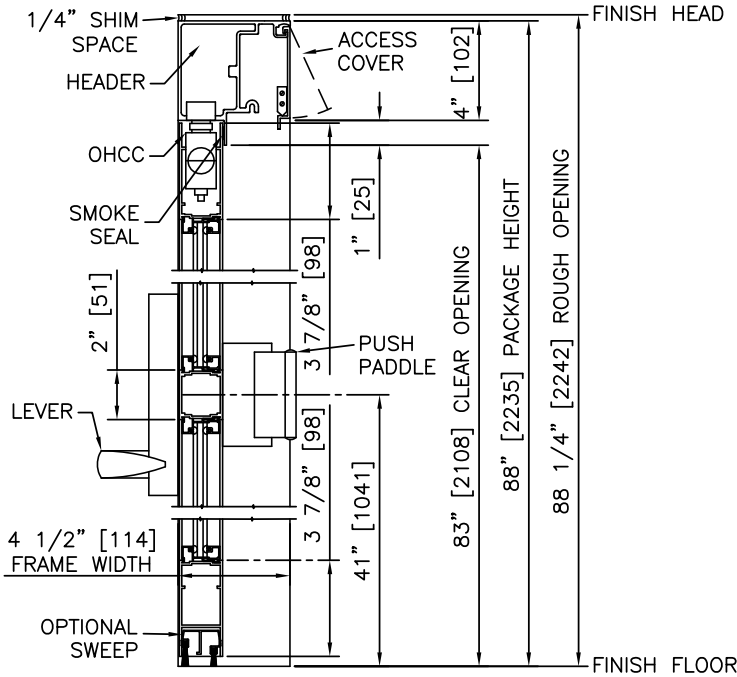
PROJECT NAME:

LOCATION:

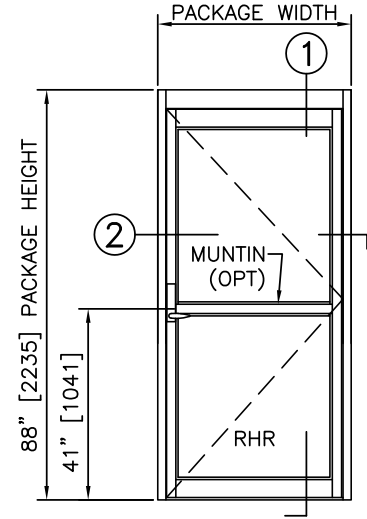
DOOR NUMBER(S):

DATE:

SHEET: OF



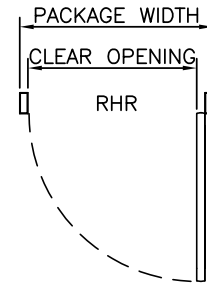
1 VERTICAL SECTION



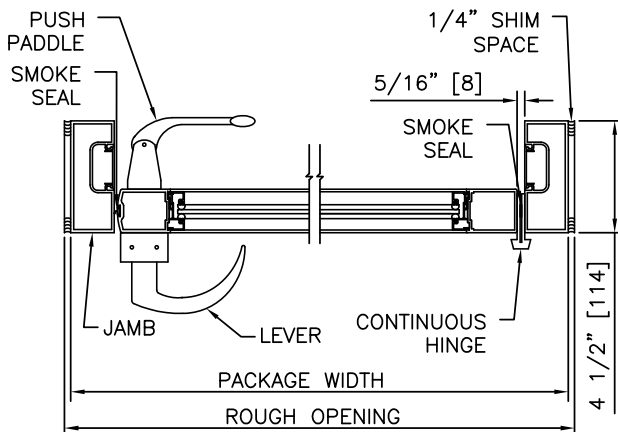
ELEVATION

NOTES

1. ROUGH OPENING SHALL PROVIDE 1/4"[6] SHIM SPACE ON SIDES AND TOP OF PACKAGE.
2. STANDARD PACKAGE INCLUDES POSITIVE LATCHING.
3. PRODUCTS SHOWN ARE CERTIFIED AS AN EFFECTIVE BARRIER AGAINST THE PASSAGE OF SMOKE IN ACCORDANCE WITH UL1784.
4. SEE SPECIFICATIONS FOR ADDITIONAL INFORMATION.



PLAN



2 HORIZONTAL SECTION

TYPICAL PACKAGE DIMENSIONS, SINGLE			
PACKAGE WIDTH	NOMINAL CLEAR OPENING	NOMINAL PANEL WIDTH	ROUGH OPENING
39.5"	33.8"	36.0"	40.0"
45.5"	39.8"	42.0"	46.0"
47.5"	41.8"	44.0"	48.0"
51.5"	45.8"	48.0"	52.0"

DURA-CARE™
7400
SERIES

SINGLE LEFT HAND, 4" HEADER

PROJECT INFORMATION

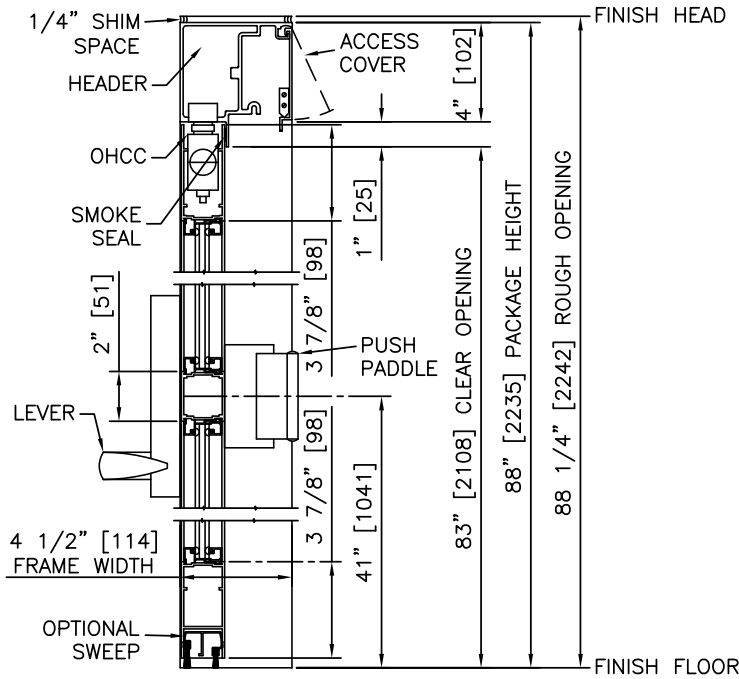
PROJECT NAME:

LOCATION:

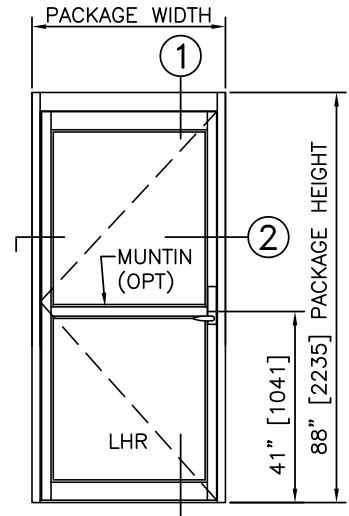
DOOR NUMBER(S):

DATE:

SHEET: OF



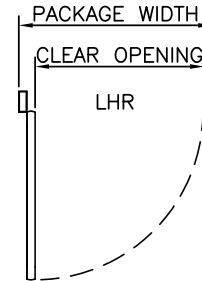
① VERTICAL SECTION



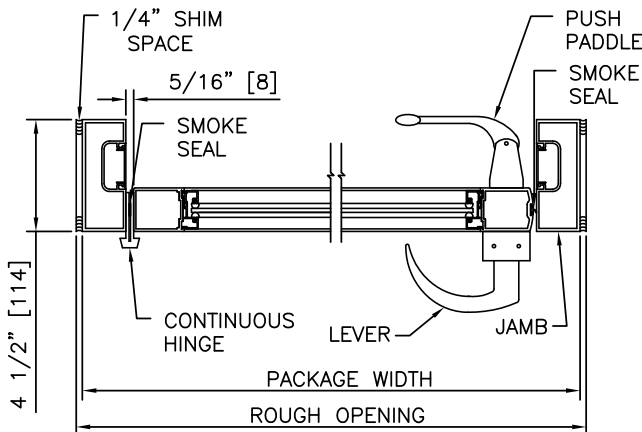
ELEVATION

NOTES

1. ROUGH OPENING SHALL PROVIDE 1/4"[6] SHIM SPACE ON SIDES AND TOP OF PACKAGE.
2. STANDARD PACKAGE INCLUDES POSITIVE LATCHING.
3. PRODUCTS SHOWN ARE CERTIFIED AS AN EFFECTIVE BARRIER AGAINST THE PASSAGE OF SMOKE IN ACCORDANCE WITH UL1784.
4. SEE SPECIFICATIONS FOR ADDITIONAL INFORMATION.



PLAN



② HORIZONTAL SECTION

TYPICAL PACKAGE DIMENSIONS, SINGLE

PACKAGE WIDTH	NOMINAL CLEAR OPENING	NOMINAL PANEL WIDTH	ROUGH OPENING
39.5"	33.8"	36.0"	40.0"
45.5"	39.8"	42.0"	46.0"
47.5"	41.8"	44.0"	48.0"
51.5"	45.8"	48.0"	52.0"

DURA-CARE™
7400
SERIES

UNEVEN PAIR RIGHT HAND, 1 3/4" HEADER

PROJECT INFORMATION

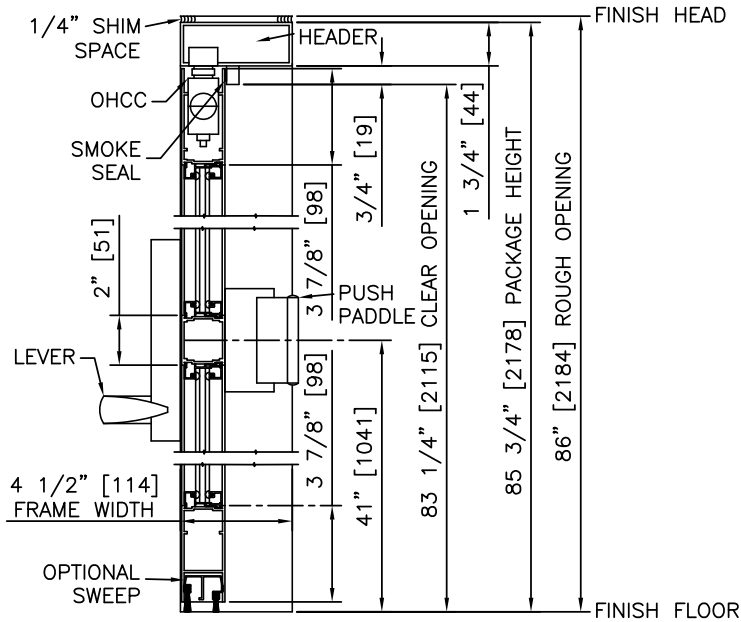
PROJECT NAME:

LOCATION:

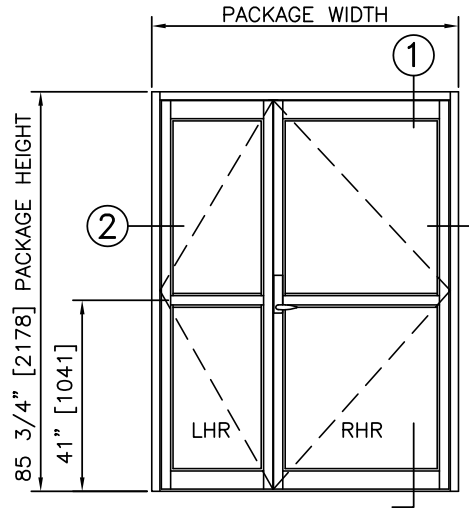
DOOR NUMBER(S):

DATE:

SHEET: OF



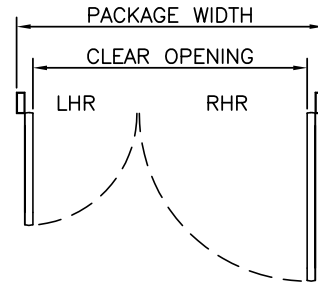
① VERTICAL SECTION



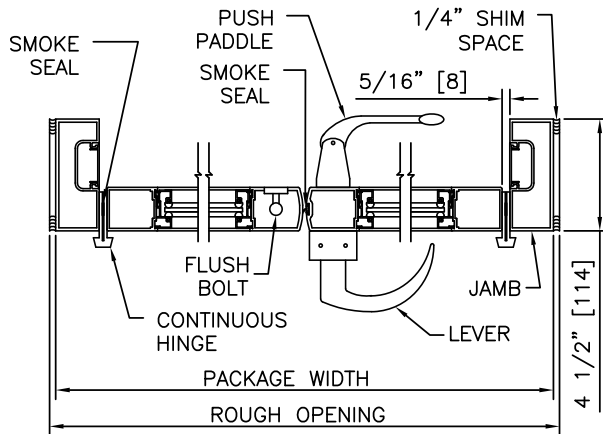
ELEVATION

NOTES

1. ROUGH OPENING SHALL PROVIDE 1/4"[6] SHIM SPACE ON SIDES AND TOP OF PACKAGE.
2. STANDARD PACKAGE INCLUDES POSITIVE LATCHING.
3. PRODUCTS SHOWN ARE CERTIFIED AS AN EFFECTIVE BARRIER AGAINST THE PASSAGE OF SMOKE IN ACCORDANCE WITH UL1784.
4. SEE SPECIFICATIONS FOR ADDITIONAL INFORMATION.



PLAN



② HORIZONTAL SECTION

TYPICAL PACKAGE DIMENSIONS, UNEVEN PAIR				
PACKAGE WIDTH	NOMINAL CLEAR OPENING	NOMINAL ACTIVE PANEL WIDTH	NOMINAL INACTIVE PANEL WIDTH	ROUGH OPENING
63.5"	55.5"	36.0"	24.0"	64.0"
69.5"	61.5"	42.0"	24.0"	70.0"
71.5"	63.5"	44.0"	24.0"	72.0"
75.5"	67.5"	48.0"	24.0"	76.0"

DURA-CARE™
7400
SERIES

UNEVEN PAIR LEFT HAND, 1 3/4" HEADER

PROJECT INFORMATION

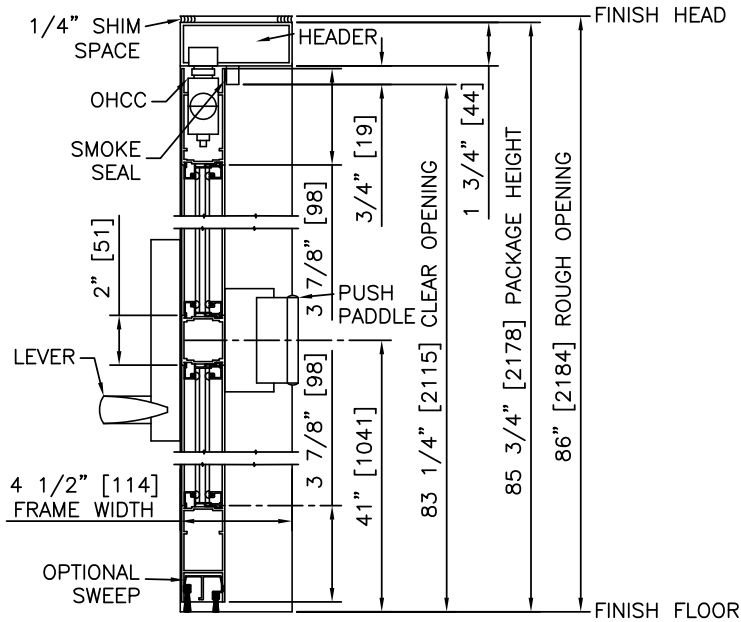
PROJECT NAME:

LOCATION:

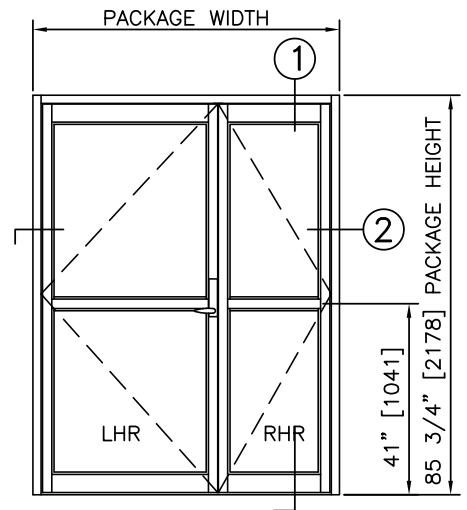
DOOR NUMBER(S):

DATE:

SHEET: OF



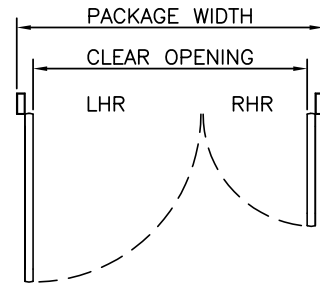
① VERTICAL SECTION



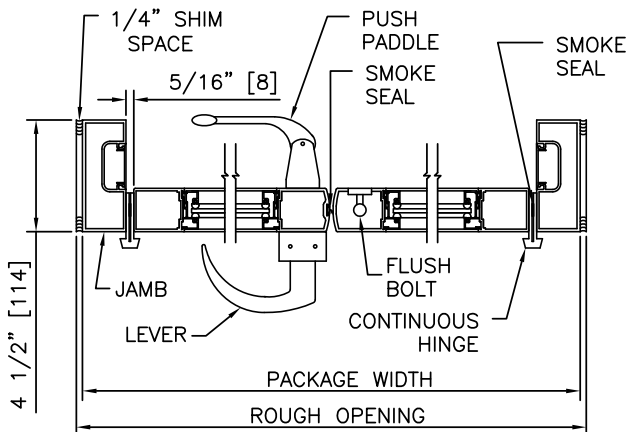
ELEVATION

NOTES

1. ROUGH OPENING SHALL PROVIDE 1/4"[6] SHIM SPACE ON SIDES AND TOP OF PACKAGE.
2. STANDARD PACKAGE INCLUDES POSITIVE LATCHING.
3. PRODUCTS SHOWN ARE CERTIFIED AS AN EFFECTIVE BARRIER AGAINST THE PASSAGE OF SMOKE IN ACCORDANCE WITH UL1784.
4. SEE SPECIFICATIONS FOR ADDITIONAL INFORMATION.



PLAN



② HORIZONTAL SECTION

TYPICAL PACKAGE DIMENSIONS, UNEVEN PAIR				
PACKAGE WIDTH	NOMINAL CLEAR OPENING	NOMINAL ACTIVE PANEL WIDTH	NOMINAL INACTIVE PANEL WIDTH	ROUGH OPENING
63.5"	55.5"	36.0"	24.0"	64.0"
69.5"	61.5"	42.0"	24.0"	70.0"
71.5"	63.5"	44.0"	24.0"	72.0"
75.5"	67.5"	48.0"	24.0"	76.0"

DURA-CARE™
7400
SERIES

UNEVEN PAIR RIGHT HAND, 4" HEADER

PROJECT INFORMATION

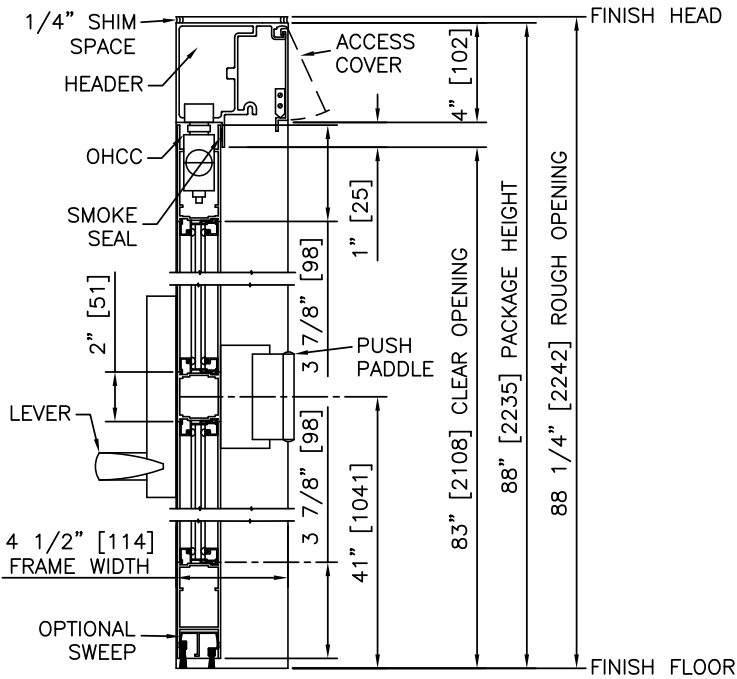
PROJECT NAME:

LOCATION:

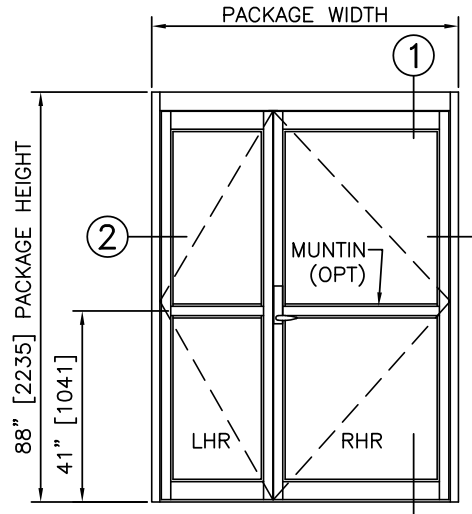
DOOR NUMBER(S):

DATE:

SHEET: OF



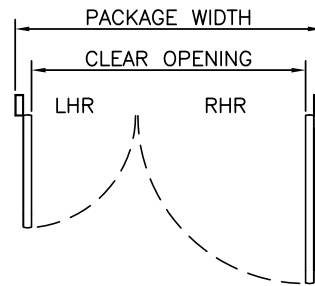
① VERTICAL SECTION



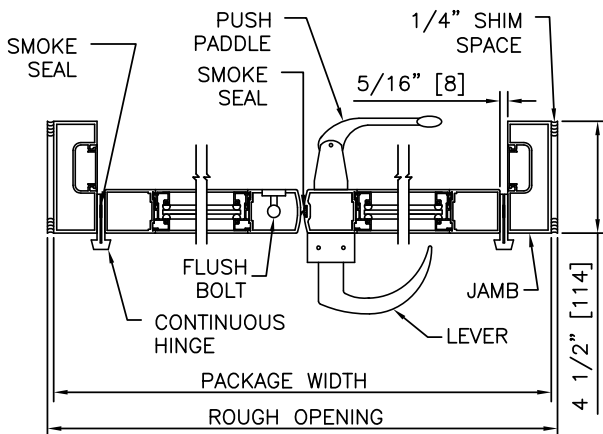
ELEVATION

NOTES

1. ROUGH OPENING SHALL PROVIDE 1/4"[6] SHIM SPACE ON SIDES AND TOP OF PACKAGE.
2. STANDARD PACKAGE INCLUDES POSITIVE LATCHING.
3. PRODUCTS SHOWN ARE CERTIFIED AS AN EFFECTIVE BARRIER AGAINST THE PASSAGE OF SMOKE IN ACCORDANCE WITH UL1784.
4. SEE SPECIFICATIONS FOR ADDITIONAL INFORMATION.



PLAN



② HORIZONTAL SECTION

TYPICAL PACKAGE DIMENSIONS, UNEVEN PAIR				
PACKAGE WIDTH	NOMINAL CLEAR OPENING	NOMINAL ACTIVE PANEL WIDTH	NOMINAL INACTIVE PANEL WIDTH	ROUGH OPENING
63.5"	55.5"	36.0"	24.0"	64.0"
69.5"	61.5"	42.0"	24.0"	70.0"
71.5"	63.5"	44.0"	24.0"	72.0"
75.5"	67.5"	48.0"	24.0"	76.0"

DURA-CARE™
7400
SERIES

UNEVEN PAIR LEFT HAND, 4" HEADER

PROJECT INFORMATION

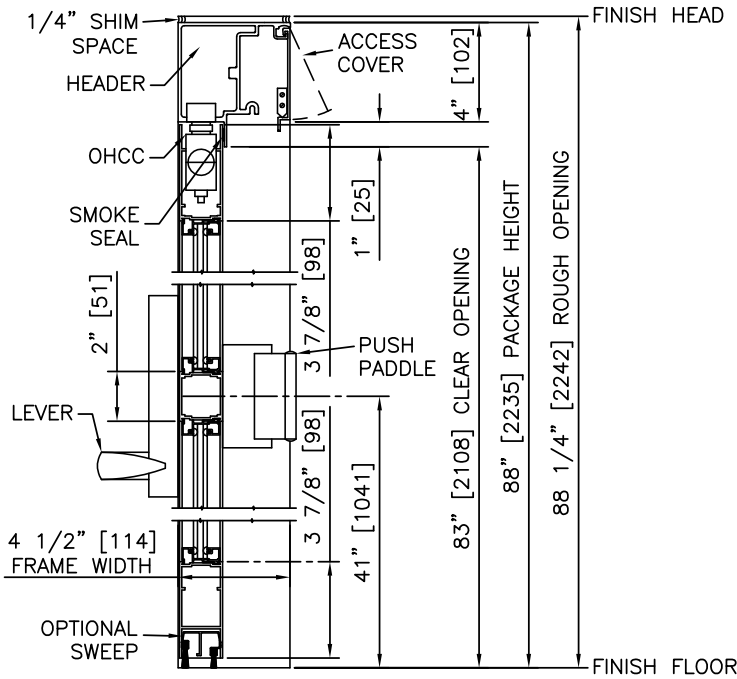
PROJECT NAME:

LOCATION:

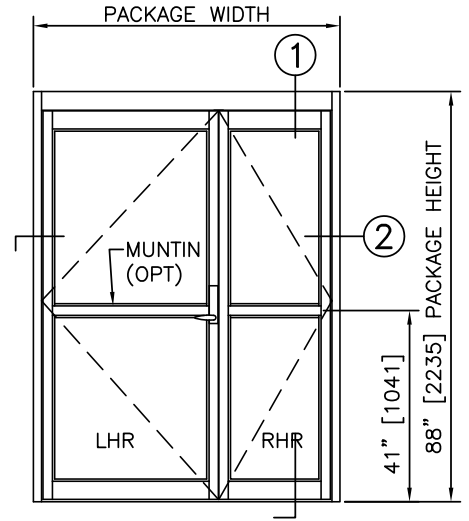
DOOR NUMBER(S):

DATE:

SHEET: OF



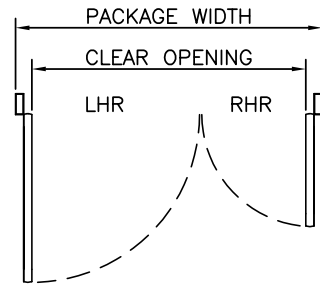
① VERTICAL SECTION



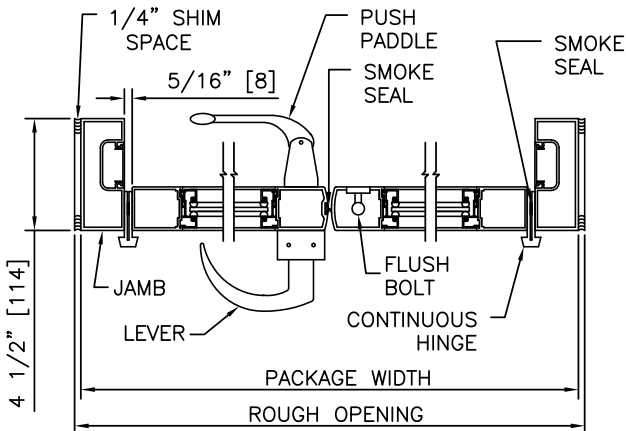
ELEVATION

NOTES

1. ROUGH OPENING SHALL PROVIDE 1/4"[6] SHIM SPACE ON SIDES AND TOP OF PACKAGE.
2. STANDARD PACKAGE INCLUDES POSITIVE LATCHING.
3. PRODUCTS SHOWN ARE CERTIFIED AS AN EFFECTIVE BARRIER AGAINST THE PASSAGE OF SMOKE IN ACCORDANCE WITH UL1784.
4. SEE SPECIFICATIONS FOR ADDITIONAL INFORMATION.



PLAN



② HORIZONTAL SECTION

TYPICAL PACKAGE DIMENSIONS, UNEVEN PAIR				
PACKAGE WIDTH	NOMINAL CLEAR OPENING	NOMINAL ACTIVE PANEL WIDTH	NOMINAL INACTIVE PANEL WIDTH	ROUGH OPENING
63.5"	55.5"	36.0"	24.0"	64.0"
69.5"	61.5"	42.0"	24.0"	70.0"
71.5"	63.5"	44.0"	24.0"	72.0"
75.5"	67.5"	48.0"	24.0"	76.0"

DURA-CARE™
7400
SERIES

PAIR, 1 3/4" HEADER

PROJECT INFORMATION

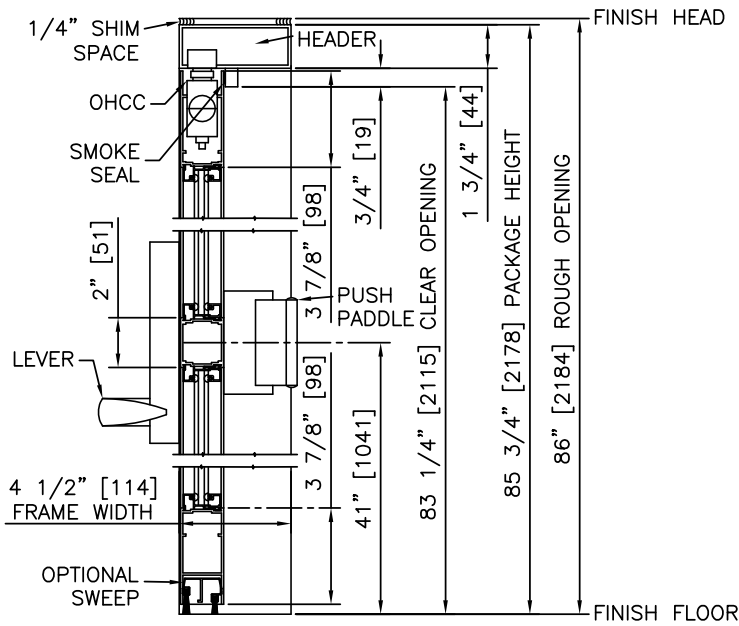
PROJECT NAME:

LOCATION:

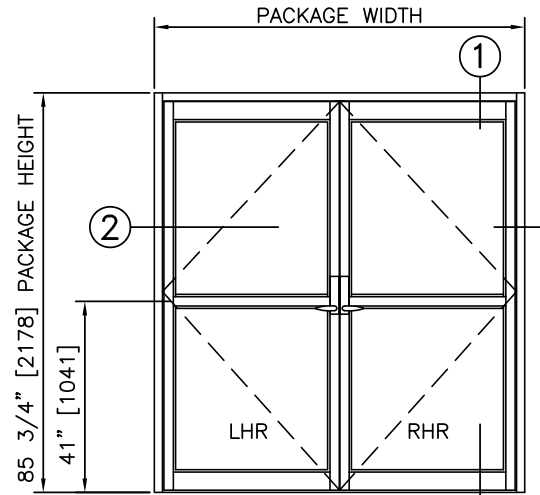
DOOR NUMBER(S):

DATE:

SHEET: OF



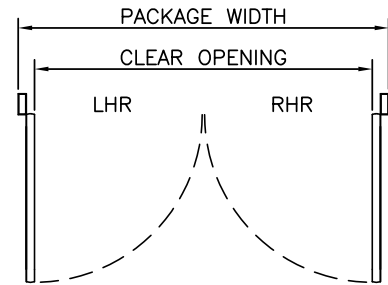
1 VERTICAL SECTION



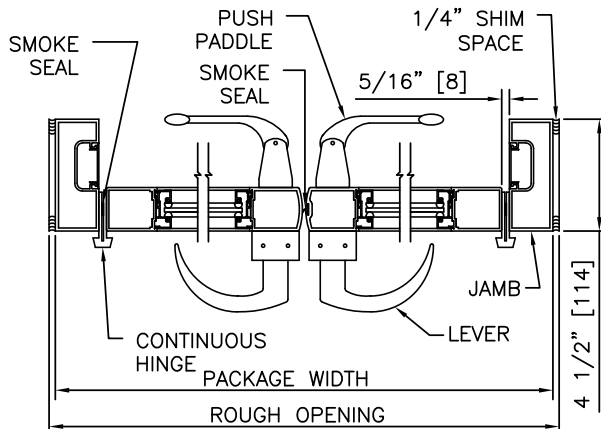
ELEVATION

NOTES

1. ROUGH OPENING SHALL PROVIDE 1/4"[6] SHIM SPACE ON SIDES AND TOP OF PACKAGE.
2. STANDARD PACKAGE INCLUDES POSITIVE LATCHING.
3. PRODUCTS SHOWN ARE CERTIFIED AS AN EFFECTIVE BARRIER AGAINST THE PASSAGE OF SMOKE IN ACCORDANCE WITH UL1784.
4. SEE SPECIFICATIONS FOR ADDITIONAL INFORMATION.



PLAN



2 HORIZONTAL SECTION

TYPICAL PACKAGE DIMENSIONS, PAIR			
PACKAGE WIDTH	NOMINAL CLEAR OPENING	NOMINAL PANEL WIDTH	ROUGH OPENING
75.5"	67.5"	36.0"	76.0"
87.5"	79.5"	42.0"	88.0"
91.5"	83.5"	44.0"	92.0"
99.5"	91.5"	48.0"	100.0"

DURA-CARE™
7400
SERIES

PAIR, 4" HEADER

PROJECT INFORMATION

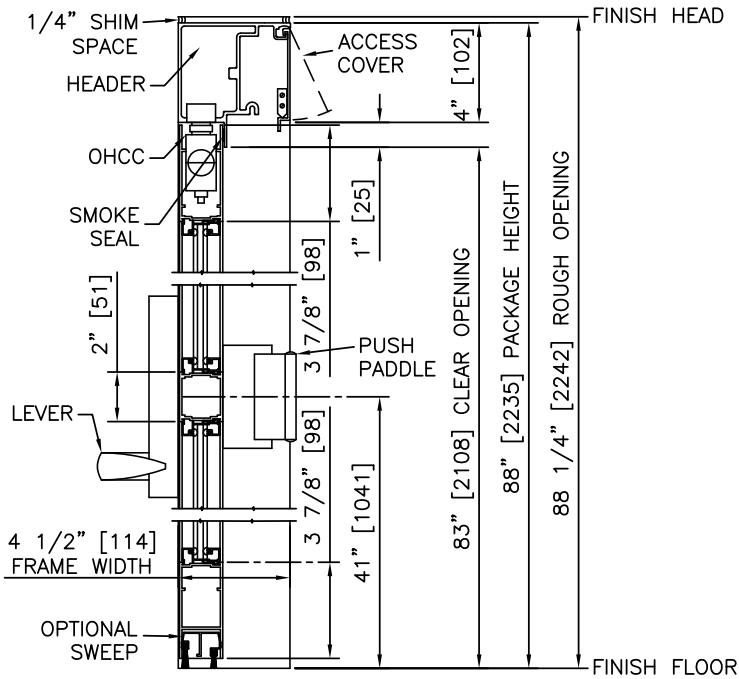
PROJECT NAME:

LOCATION:

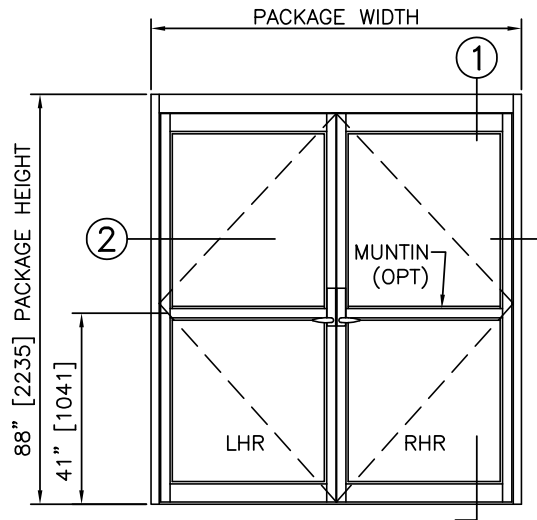
DOOR NUMBER(S):

DATE:

SHEET: OF



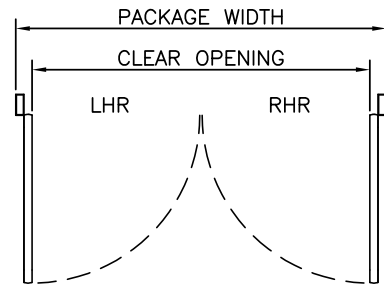
1 VERTICAL SECTION



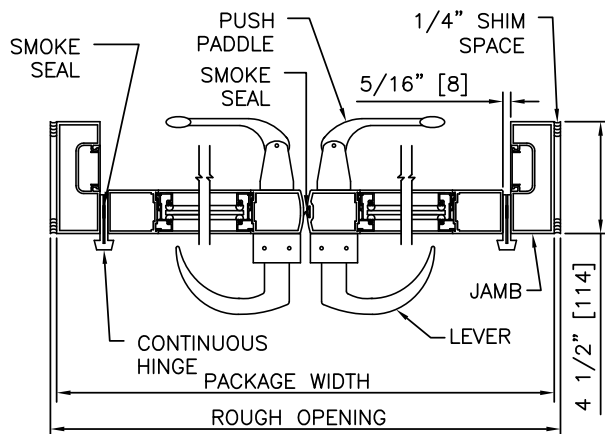
ELEVATION

NOTES

1. ROUGH OPENING SHALL PROVIDE 1/4"[6] SHIM SPACE ON SIDES AND TOP OF PACKAGE.
2. STANDARD PACKAGE INCLUDES POSITIVE LATCHING.
3. PRODUCTS SHOWN ARE CERTIFIED AS AN EFFECTIVE BARRIER AGAINST THE PASSAGE OF SMOKE IN ACCORDANCE WITH UL1784.
4. SEE SPECIFICATIONS FOR ADDITIONAL INFORMATION.



PLAN



2 HORIZONTAL SECTION

TYPICAL PACKAGE DIMENSIONS, PAIR			
PACKAGE WIDTH	NOMINAL CLEAR OPENING	NOMINAL PANEL WIDTH	ROUGH OPENING
75.5"	67.5"	36.0"	76.0"
87.5"	79.5"	42.0"	88.0"
91.5"	83.5"	44.0"	92.0"
99.5"	91.5"	48.0"	100.0"