



## **SLIDING AUTOMATIC ENTRANCES: DURA-GLIDE™ 2000, BI-PARTING**

### **1.11 - SINGLE SLIDE WITH OPTIONAL TRANSOM**

- **1.11.01 - Single Slide Right Hand**
- **1.11.02 - Single Slide Left Hand**
- **1.11.03 - Single Slide Right Hand with Transom**
- **1.11.04 - Single Slide Left Hand with Transom**
- **1.11.05 - Single Slide Right Hand with Automatic Locking**
- **1.11.06 - Single Slide Left Hand with Automatic Locking**
- **1.11.07 - Single Slide Right Hand with Transom and Automatic Locking**
- **1.11.08 - Single Slide Left Hand with Transom and Automatic Locking**

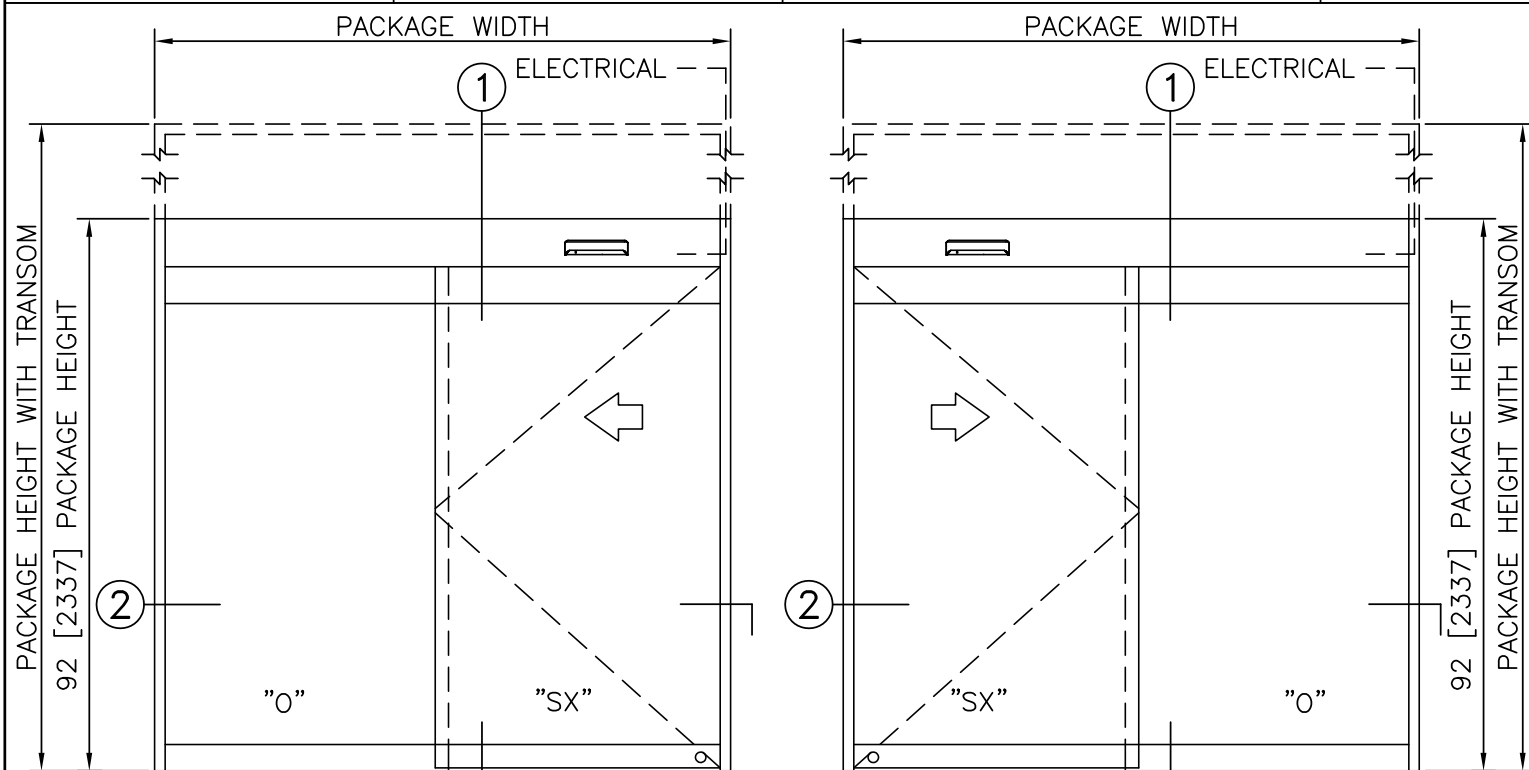
**STANLEY**  
Access Technologies

# DURA-GLIDE 2000AG SERIES

## SINGLE SLIDE WITH OPTIONAL TRANSOM

### PROJECT INFORMATION

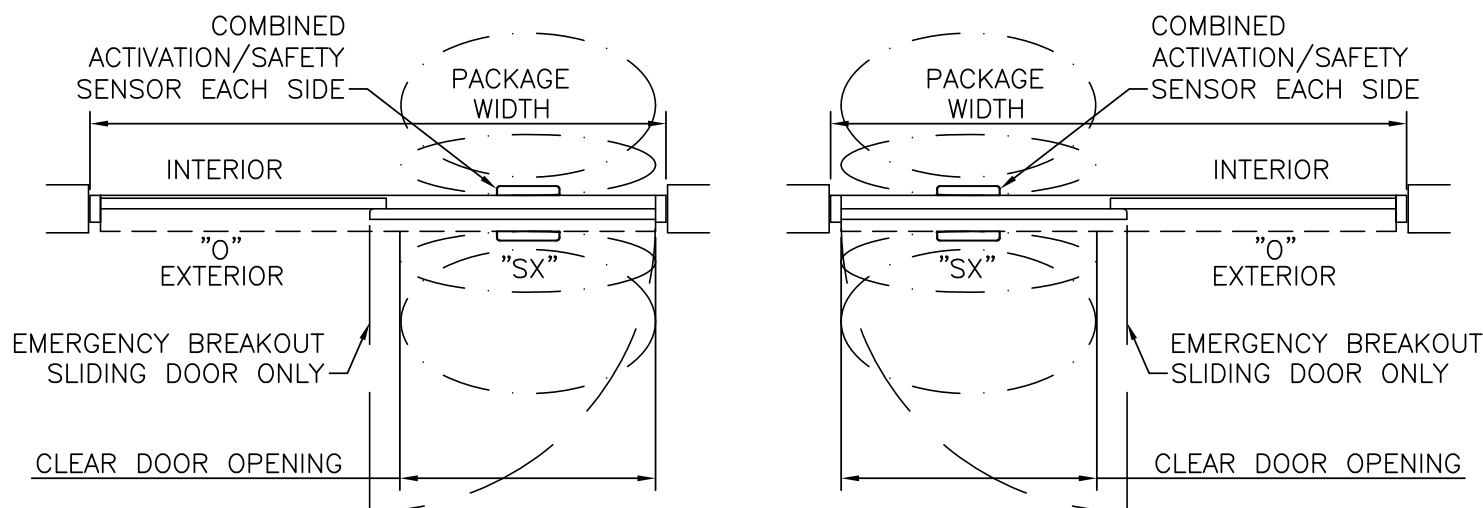
PROJECT NAME:	
LOCATION:	
DOOR NUMBER(S):	
DATE:	SHEET: OF



LEFT HAND SLIDE      RIGHT HAND SLIDE

### ELEVATION VIEW

SCALE: 3/8" = 1'-0"



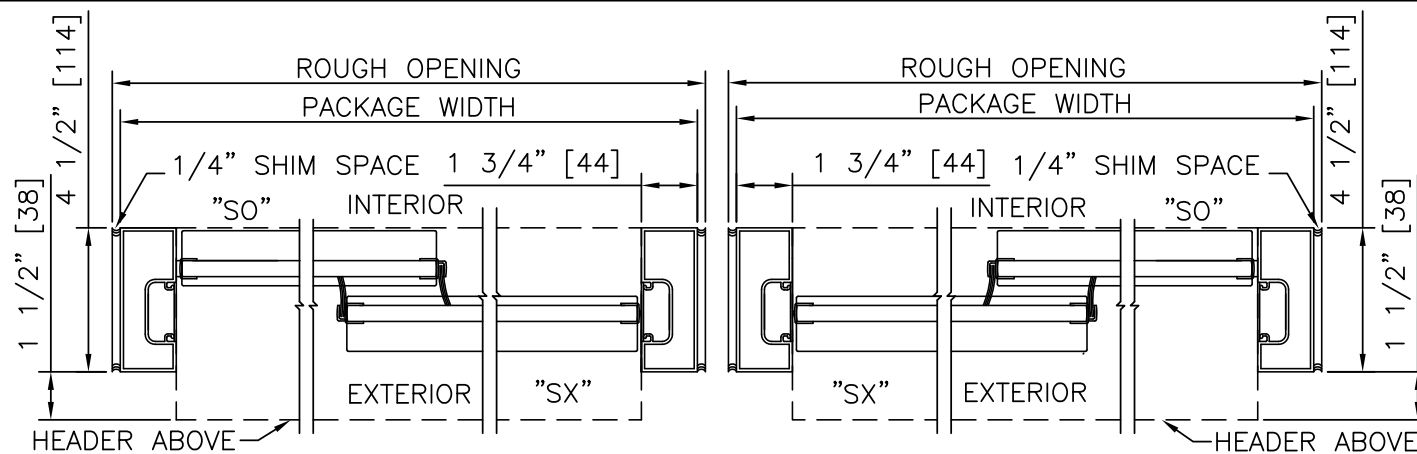
LEFT HAND      RIGHT HAND

### PLAN VIEW

SCALE: 3/8" = 1'-0"

#### NOTES

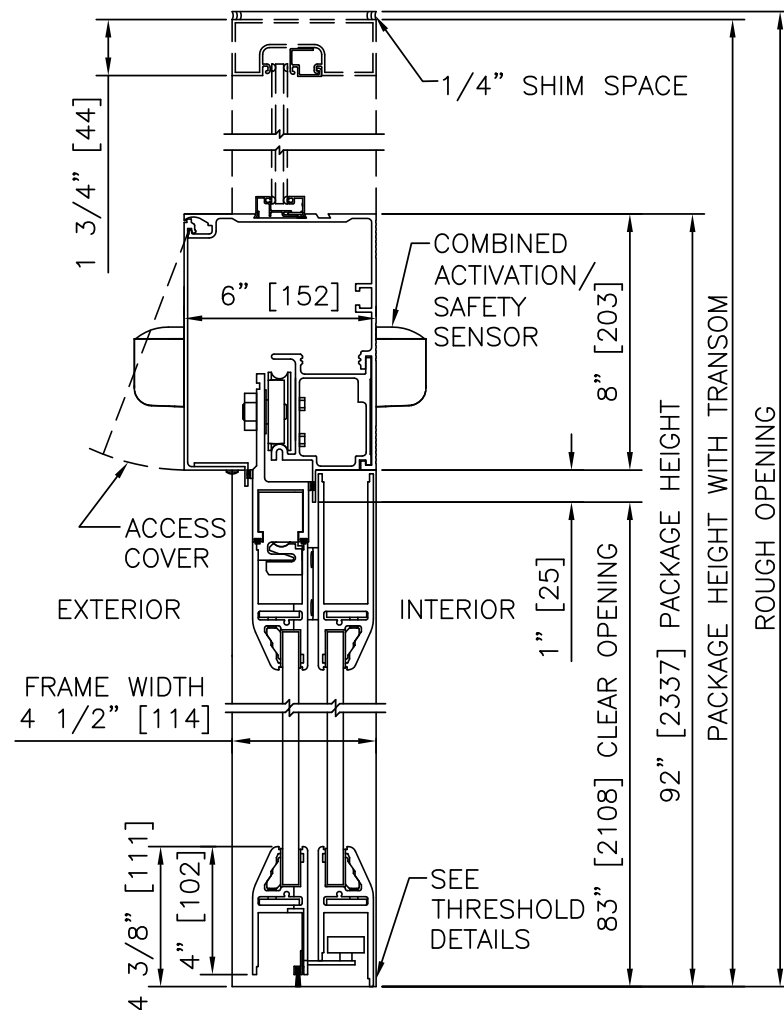
- ELECTRICAL REQUIREMENTS: 120 VAC, 5 AMP MIN TO POWER OPERATOR BY ELECTRICAL CONTRACTOR.
- ROUGH OPENING SHALL PROVIDE 1/4"[6] SHIM SPACE ON SIDES AND TOP OF PACKAGE.
- LIMITS OF ACTIVATION AND SAFETY ZONES ARE FOR REFERENCE ONLY; SEE ANSI/BHMA A156.10 FOR DETAILED REQUIREMENTS.
- STANDARD LOCKING IS 2-POINT, AUTOMATIC LOCKING SYSTEMS AVAILABLE
- STANDARD GLAZING STOPS FOR ALL PANELS ARE 1/2"[13].
- STANDARD JAMB TUBES SHOWN; 6"[152] AVAILABLE.
- SEE SPECIFICATIONS FOR ADDITIONAL INFORMATION.



LEFT HAND      RIGHT HAND

### HORIZONTAL SECTION

SCALE: 2" = 1'-0"



### VERTICAL SECTION

SCALE: 2" = 1'-0"

#### PRODUCT OPTIONS

- TRANSOM
- YES
  - VERTICALS 1 2 3
- FINISH
- ANODIZED CLEAR CL2
  - ANODIZED DK BRONZE
  - CUSTOM
- LOCKING
- 2-POINT
  - AUTOMATIC LOCKING (ELECTRIC LOCK)
- THRESHOLDS
- SQ/BVL (EXT)
  - SQ/BVL (INT)
  - DBL BVL
  - RECESSED
- ACTIVATION/SAFETY
- 2 COMBINED ACTIVATION/SAFETY SENSORS
- OTHER OPTIONS
- ROTARY CTRL SWITCH
  - KEYED
  - UNINTERRUPTIBLE POWER SUPPLY
  - FLY OPEN BOX

SINGLE SLIDE FORMULAS - NARROW STILE  
 PACKAGE WIDTH = 2 X CLEAR DOOR OPENING + 13.4"  
 CLEAR DOOR OPENING = 1/2 PACKAGE WIDTH - 6.7"  
 EMERGENCY BREAKOUT WIDTH = CLEAR DOOR OPENING + 3.8"  
 DOOR PANEL WIDTH = 1/2 PACKAGE WIDTH - 0.5"

TYPICAL PACKAGE DIMENSIONS (NARROW STILE)			
PACKAGE WIDTH	NOMINAL CLEAR DOOR OPENING	DOOR PANEL NOMINAL WIDTH	EMERGENCY BREAKOUT NOM. WIDTH
84"	35.3"	41.5"	39.0"
96"	41.3"	47.5"	45.0"
102"	44.3"	50.5"	48.0"

**SINGLE SLIDE WITH OPTIONAL TRANSOM**

## DURA-GLIDE 2000AG SERIES

**DURA-GLIDE  
2000AG  
SERIES**

SINGLE SLIDE RIGHT HAND

PROJECT INFORMATION

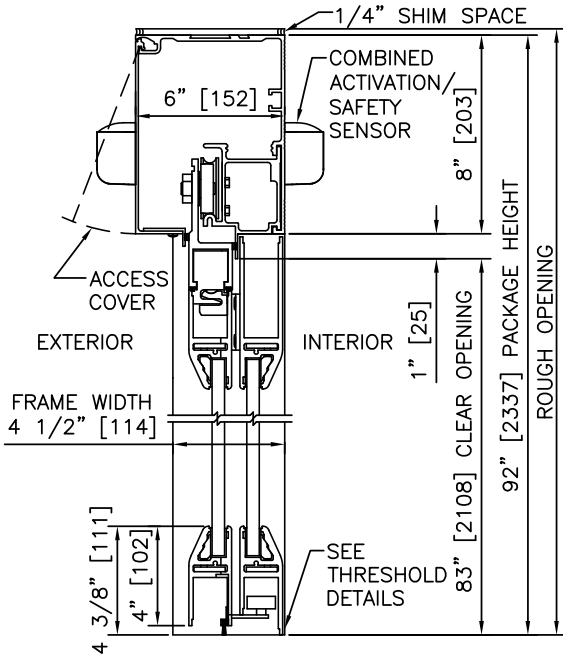
PROJECT NAME:

LOCATION:

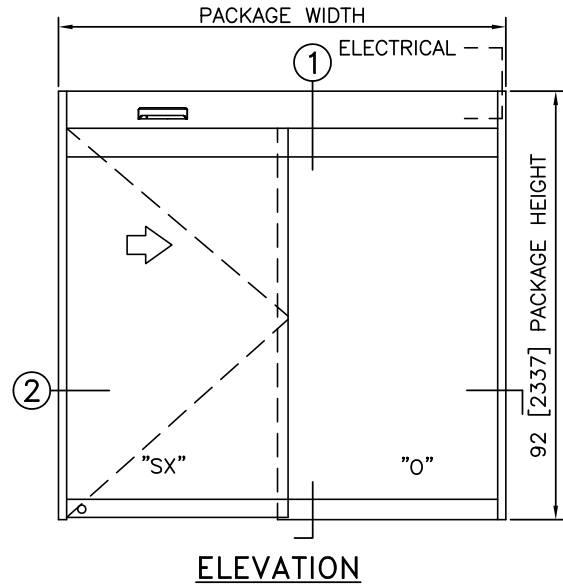
DOOR NUMBER(S):

DATE:

SHEET: OF



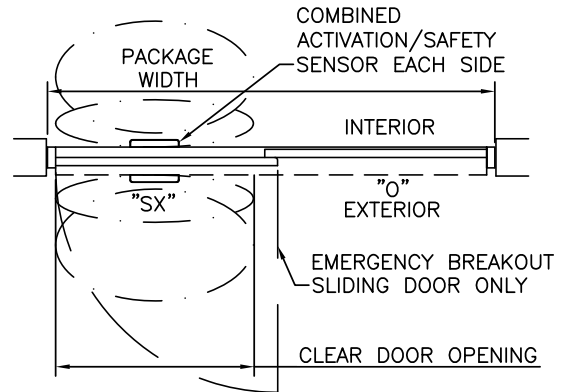
1 VERTICAL SECTION



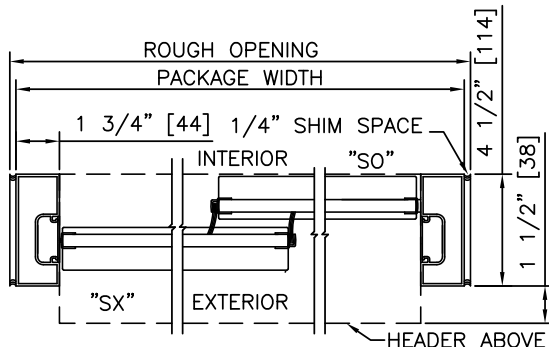
ELEVATION

**NOTES**

1. ELECTRICAL REQUIREMENTS: 120 VAC, 5 AMP MIN TO POWER OPERATOR BY ELECTRICAL CONTRACTOR.
2. ROUGH OPENING SHALL PROVIDE 1/4"[6] SHIM SPACE ON SIDES AND TOP OF PACKAGE.
3. LIMITS OF ACTIVATION AND SAFETY ZONES ARE FOR REFERENCE ONLY; SEE ANSI/BHMA A156.10 FOR DETAILED REQUIREMENTS.
4. SEE SPECIFICATIONS FOR ADDITIONAL INFORMATION.



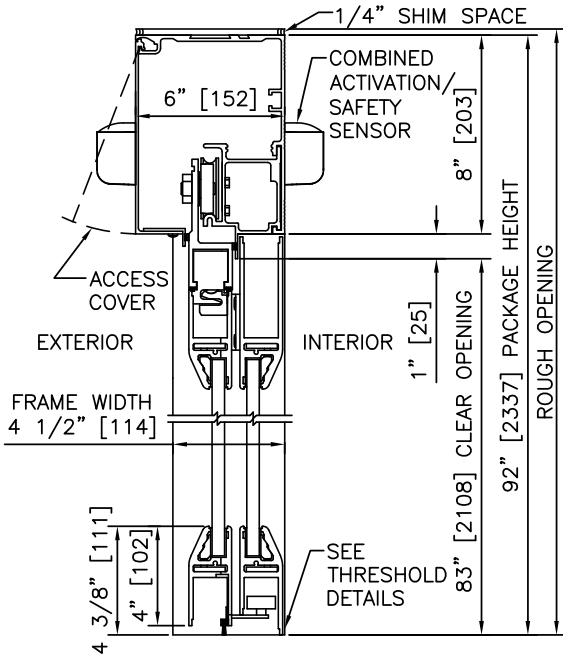
PLAN



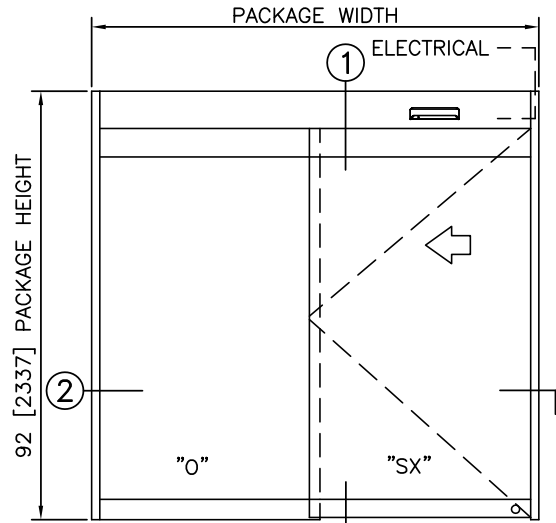
2 HORIZONTAL SECTION

TYPICAL PACKAGE DIMENSIONS (NARROW STILE)

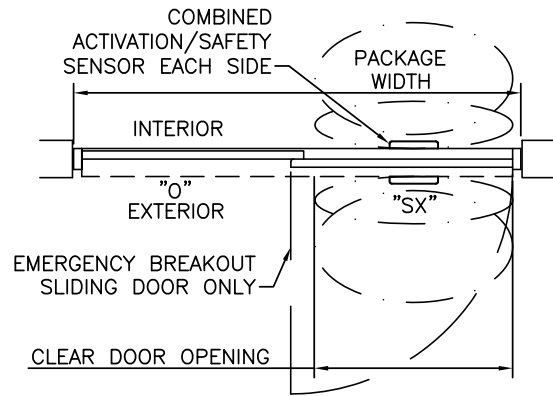
PACKAGE WIDTH	NOMINAL CLEAR DOOR OPENING	DOOR PANEL NOMINAL WIDTH	EMERGENCY BREAKOUT NOM. WIDTH
84"	35.3"	41.5"	39.0"
96"	41.3"	47.5"	45.0"
102"	44.3"	50.5"	48.0"



1 VERTICAL SECTION



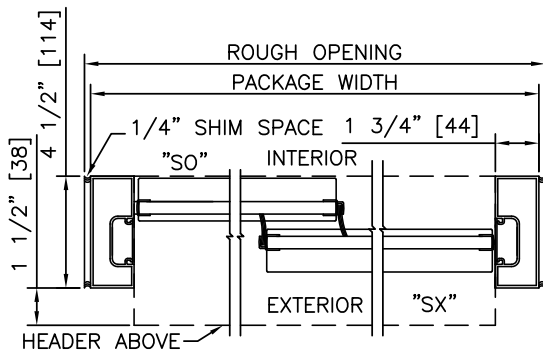
ELEVATION



PLAN

**NOTES**

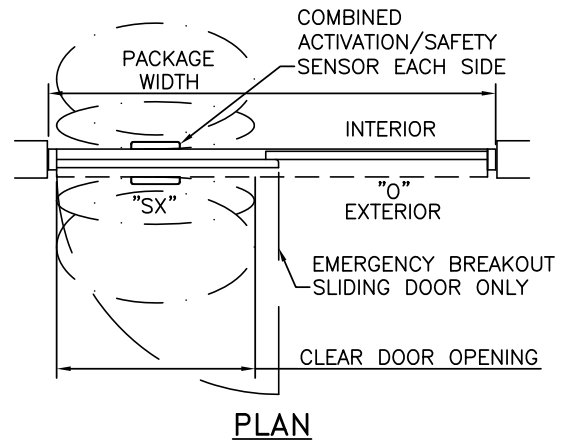
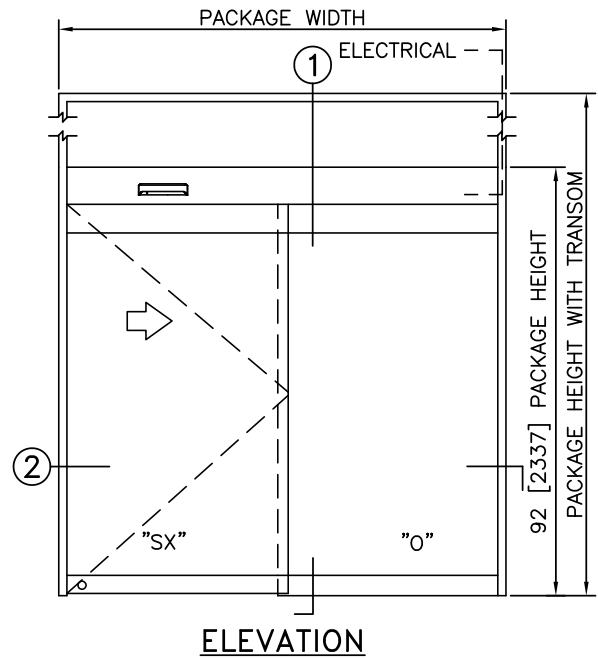
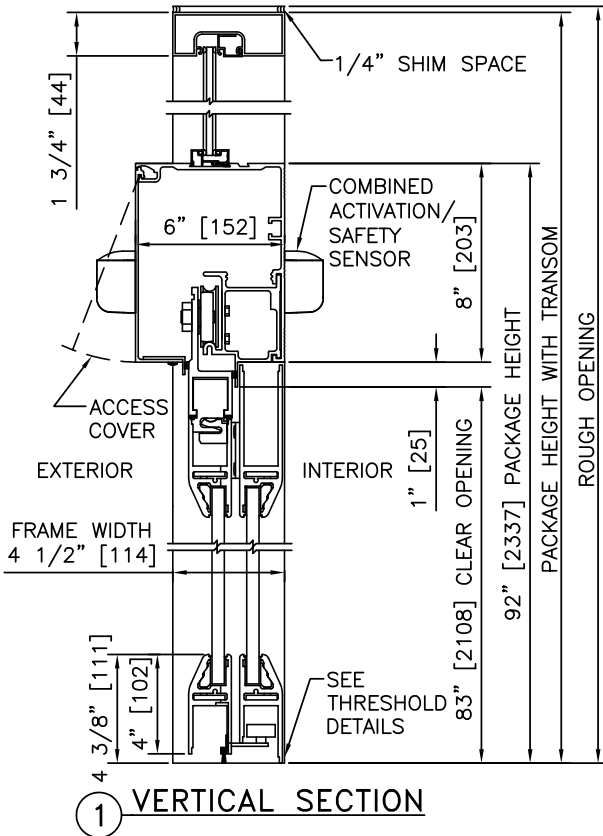
1. ELECTRICAL REQUIREMENTS: 120 VAC, 5 AMP MIN TO POWER OPERATOR BY ELECTRICAL CONTRACTOR.
2. ROUGH OPENING SHALL PROVIDE 1/4" [6] SHIM SPACE ON SIDES AND TOP OF PACKAGE.
3. LIMITS OF ACTIVATION AND SAFETY ZONES ARE FOR REFERENCE ONLY; SEE ANSI/BHMA A156.10 FOR DETAILED REQUIREMENTS.
4. SEE SPECIFICATIONS FOR ADDITIONAL INFORMATION.



2 HORIZONTAL SECTION

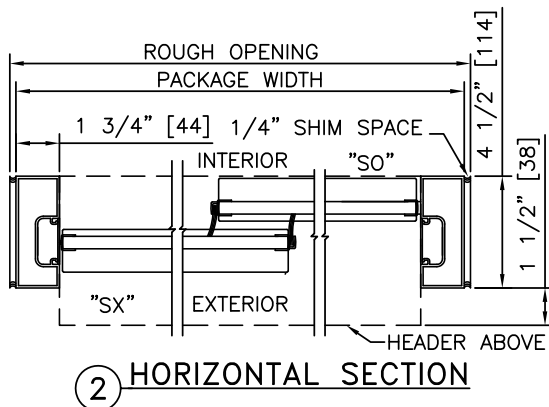
TYPICAL PACKAGE DIMENSIONS (NARROW STILE)

PACKAGE WIDTH	NOMINAL CLEAR DOOR OPENING	DOOR PANEL NOMINAL WIDTH	EMERGENCY BREAKOUT NOM. WIDTH
84"	35.3"	41.5"	39.0"
96"	41.3"	47.5"	45.0"
102"	44.3"	50.5"	48.0"



**NOTES**

1. ELECTRICAL REQUIREMENTS: 120 VAC, 5 AMP MIN TO POWER OPERATOR BY ELECTRICAL CONTRACTOR.
2. ROUGH OPENING SHALL PROVIDE 1/4"[6] SHIM SPACE ON SIDES AND TOP OF PACKAGE.
3. LIMITS OF ACTIVATION AND SAFETY ZONES ARE FOR REFERENCE ONLY; SEE ANSI/BHMA A156.10 FOR DETAILED REQUIREMENTS.
4. SEE SPECIFICATIONS FOR ADDITIONAL INFORMATION.



TYPICAL PACKAGE DIMENSIONS (NARROW STILE)

PACKAGE WIDTH	NOMINAL CLEAR DOOR OPENING	DOOR PANEL NOMINAL WIDTH	EMERGENCY BREAKOUT NOM. WIDTH
84"	35.3"	41.5"	39.0"
96"	41.3"	47.5"	45.0"
102"	44.3"	50.5"	48.0"

**DURA-GLIDE  
2000AG  
SERIES**

SINGLE SLIDE LEFT HAND WITH TRANSOM

PROJECT INFORMATION

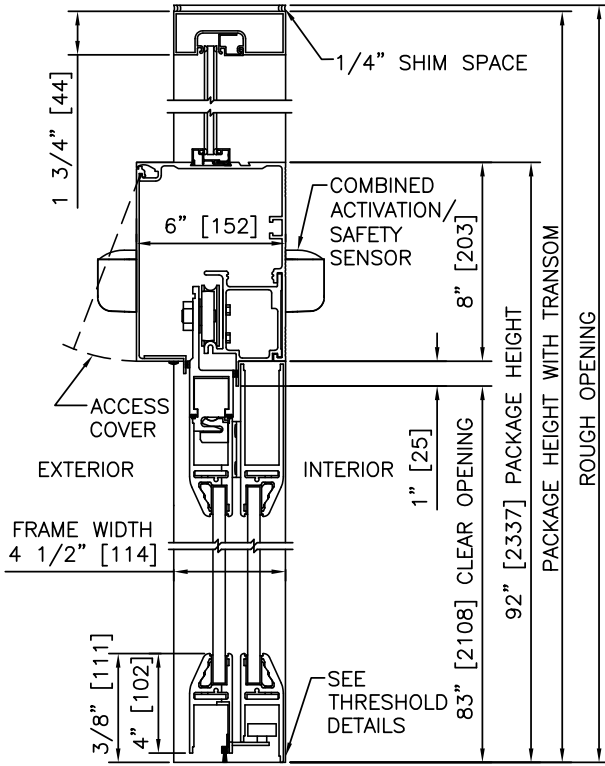
PROJECT NAME:

LOCATION:

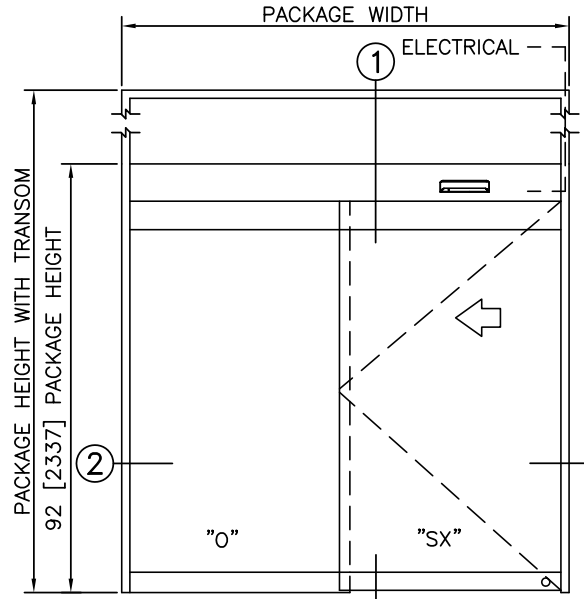
DOOR NUMBER(S):

DATE:

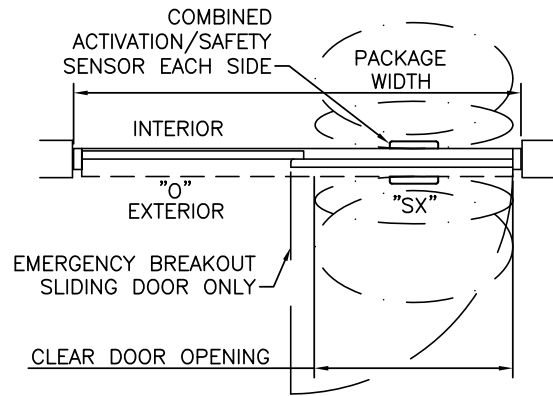
SHEET: OF



1 VERTICAL SECTION



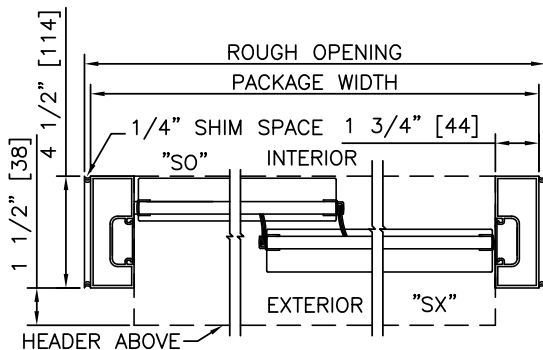
ELEVATION



PLAN

NOTES

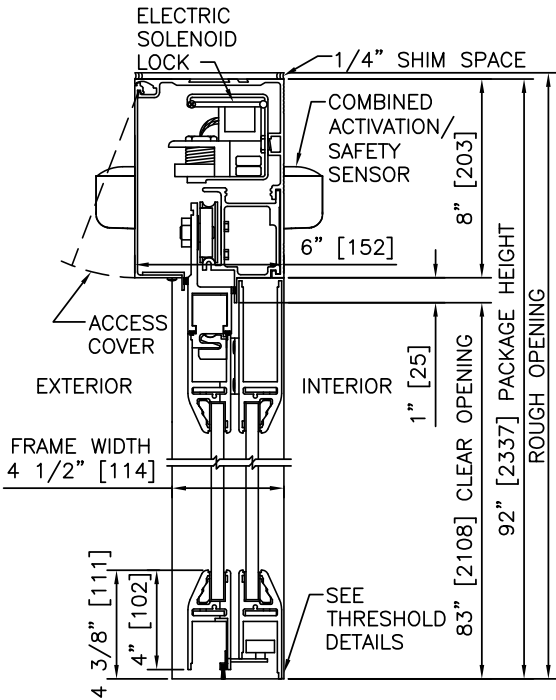
1. ELECTRICAL REQUIREMENTS: 120 VAC, 5 AMP MIN TO POWER OPERATOR BY ELECTRICAL CONTRACTOR.
2. ROUGH OPENING SHALL PROVIDE 1/4"[6] SHIM SPACE ON SIDES AND TOP OF PACKAGE.
3. LIMITS OF ACTIVATION AND SAFETY ZONES ARE FOR REFERENCE ONLY; SEE ANSI/BHMA A156.10 FOR DETAILED REQUIREMENTS.
4. SEE SPECIFICATIONS FOR ADDITIONAL INFORMATION.



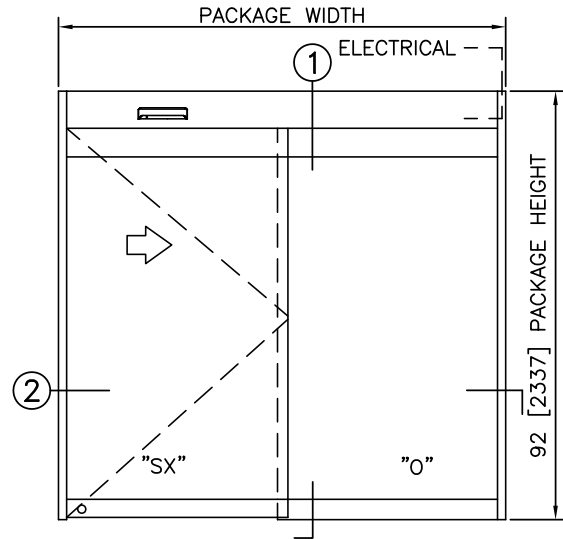
2 HORIZONTAL SECTION

TYPICAL PACKAGE DIMENSIONS (NARROW STILE)

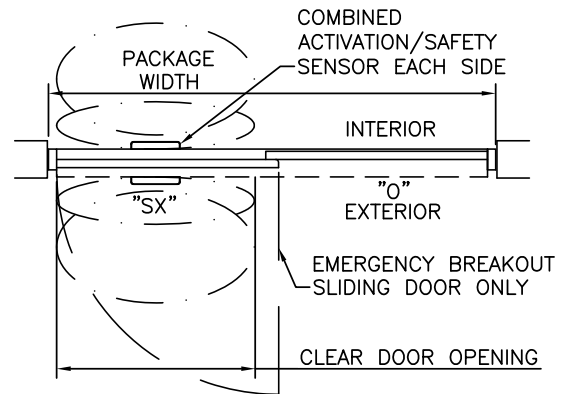
PACKAGE WIDTH	NOMINAL CLEAR DOOR OPENING	DOOR PANEL NOMINAL WIDTH	EMERGENCY BREAKOUT NOM. WIDTH
84"	35.3"	41.5"	39.0"
96"	41.3"	47.5"	45.0"
102"	44.3"	50.5"	48.0"



① VERTICAL SECTION



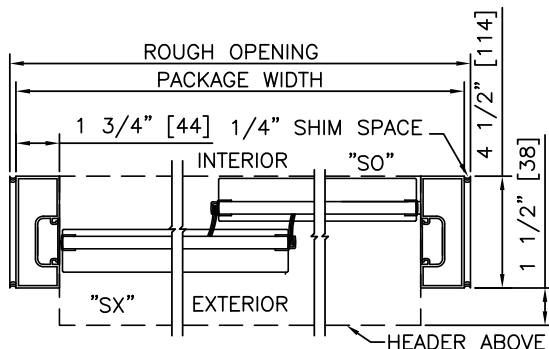
ELEVATION



PLAN

**NOTES**

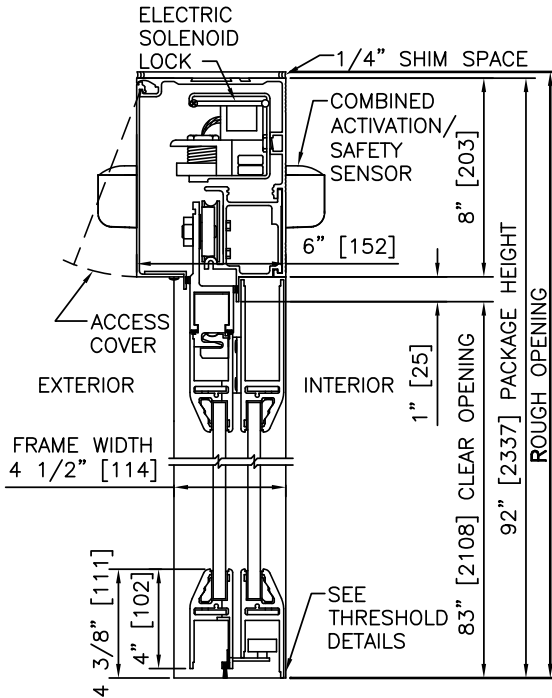
1. ELECTRICAL REQUIREMENTS: BY ELECTRICAL CONTRACTOR  
120 VAC, 5 AMP MIN TO POWER OPERATOR  
CONTROL CIRCUIT FROM SECURE ACTIVATION TO OPERATOR
2. ROUGH OPENING SHALL PROVIDE 1/4" [6] SHIM SPACE ON SIDES AND TOP OF PACKAGE.
3. LIMITS OF ACTIVATION AND SAFETY ZONES ARE FOR REFERENCE ONLY; SEE ANSI/BHMA A156.10 FOR DETAILED REQUIREMENTS.
4. SEE SPECIFICATIONS FOR ADDITIONAL INFORMATION.



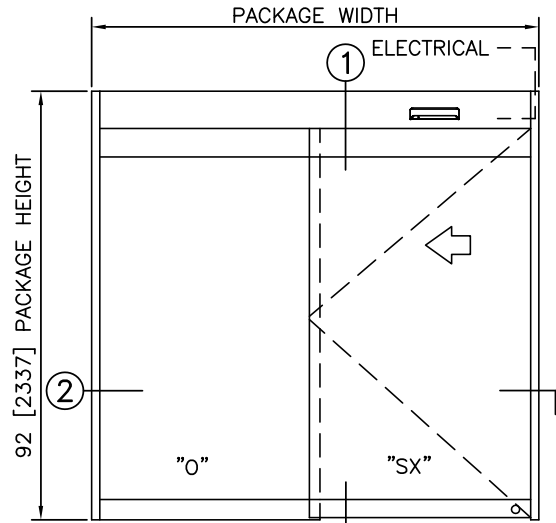
② HORIZONTAL SECTION

TYPICAL PACKAGE DIMENSIONS (NARROW STILE)

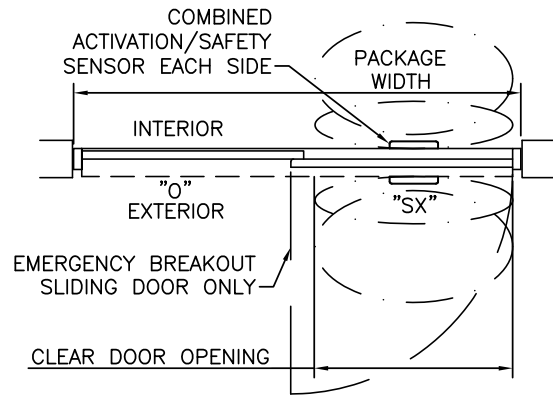
PACKAGE WIDTH	NOMINAL CLEAR DOOR OPENING	DOOR PANEL NOMINAL WIDTH	EMERGENCY BREAKOUT NOM. WIDTH
84"	35.3"	41.5"	39.0"
96"	41.3"	47.5"	45.0"
102"	44.3"	50.5"	48.0"



1 VERTICAL SECTION



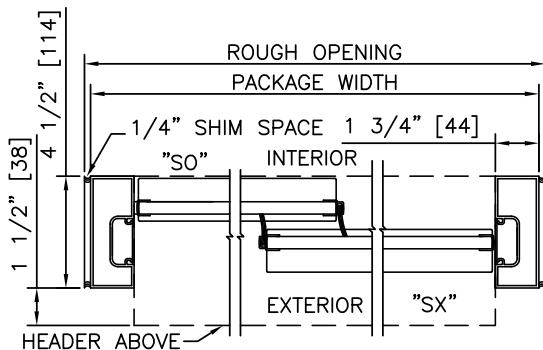
ELEVATION



PLAN

**NOTES**

1. ELECTRICAL REQUIREMENTS: BY ELECTRICAL CONTRACTOR  
120 VAC, 5 AMP MIN TO POWER OPERATOR  
CONTROL CIRCUIT FROM SECURE ACTIVATION TO OPERATOR
2. ROUGH OPENING SHALL PROVIDE 1/4"[6] SHIM SPACE ON SIDES AND TOP OF PACKAGE.
3. LIMITS OF ACTIVATION AND SAFETY ZONES ARE FOR REFERENCE ONLY; SEE ANSI/BHMA A156.10 FOR DETAILED REQUIREMENTS.
4. SEE SPECIFICATIONS FOR ADDITIONAL INFORMATION.

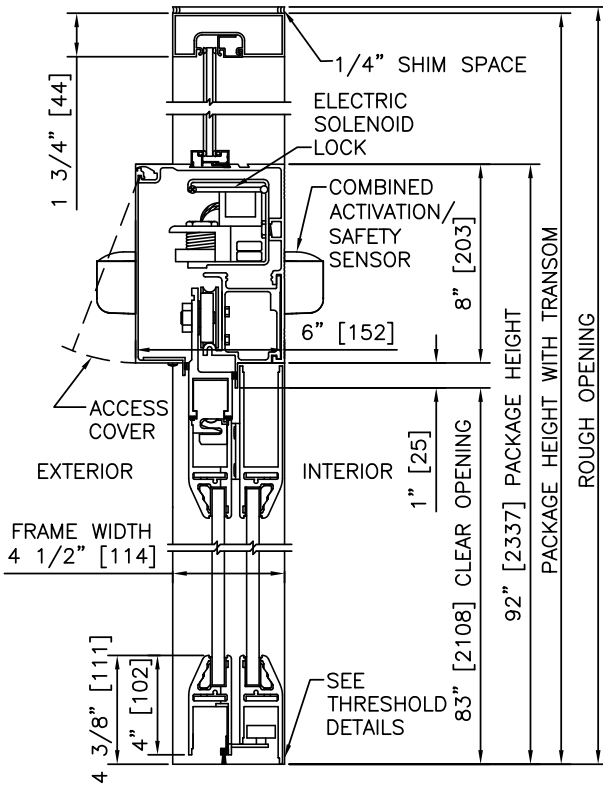


2 HORIZONTAL SECTION

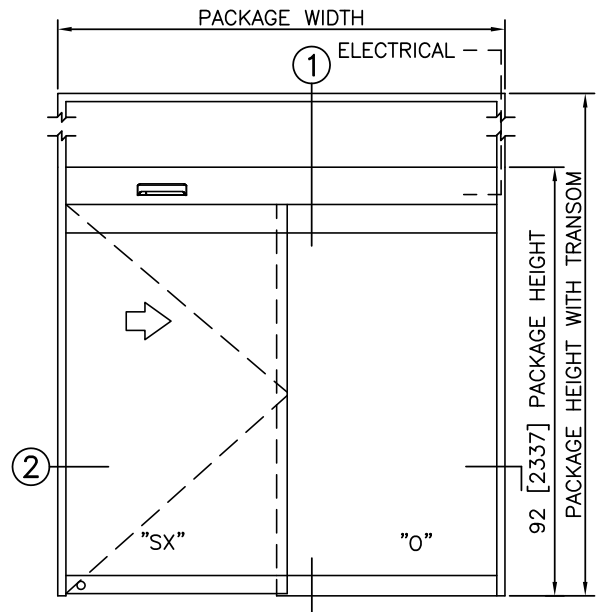
TYPICAL PACKAGE DIMENSIONS (NARROW STILE)

PACKAGE WIDTH	NOMINAL CLEAR DOOR OPENING	DOOR PANEL NOMINAL WIDTH	EMERGENCY BREAKOUT NOM. WIDTH
84"	35.3"	41.5"	39.0"
96"	41.3"	47.5"	45.0"
102"	44.3"	50.5"	48.0"

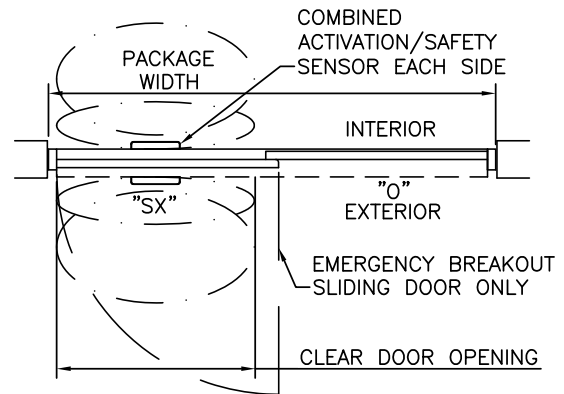




1 VERTICAL SECTION



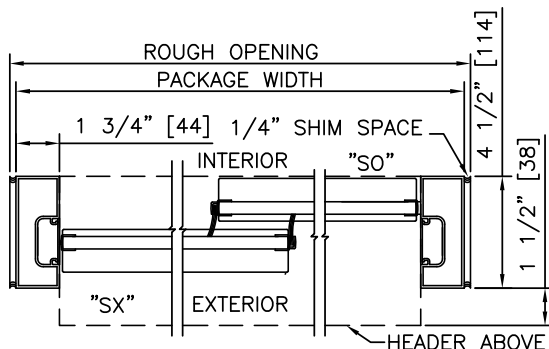
ELEVATION



PLAN

NOTES

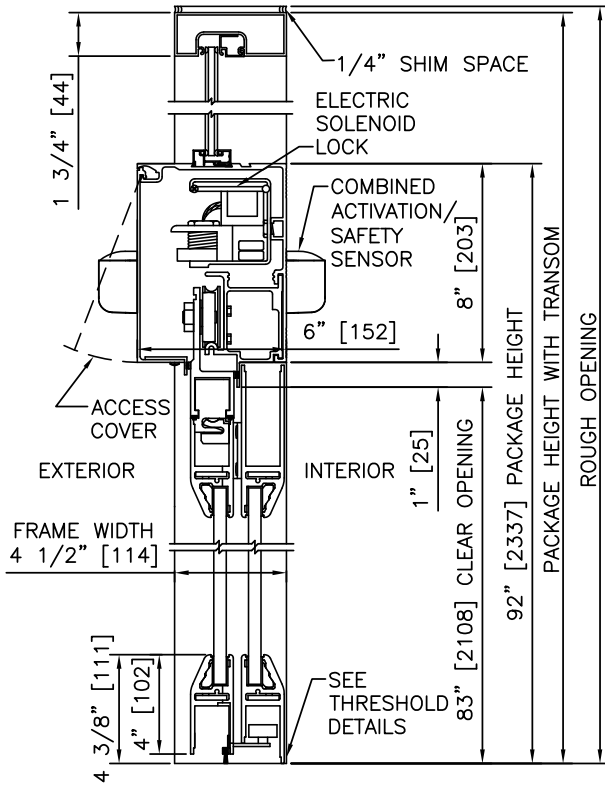
1. ELECTRICAL REQUIREMENTS: BY ELECTRICAL CONTRACTOR  
120 VAC, 5 AMP MIN TO POWER OPERATOR  
CONTROL CIRCUIT FROM SECURE ACTIVATION TO OPERATOR
2. ROUGH OPENING SHALL PROVIDE 1/4"[6] SHIM SPACE ON SIDES AND TOP OF PACKAGE.
3. LIMITS OF ACTIVATION AND SAFETY ZONES ARE FOR REFERENCE ONLY; SEE ANSI/BHMA A156.10 FOR DETAILED REQUIREMENTS.
4. SEE SPECIFICATIONS FOR ADDITIONAL INFORMATION.



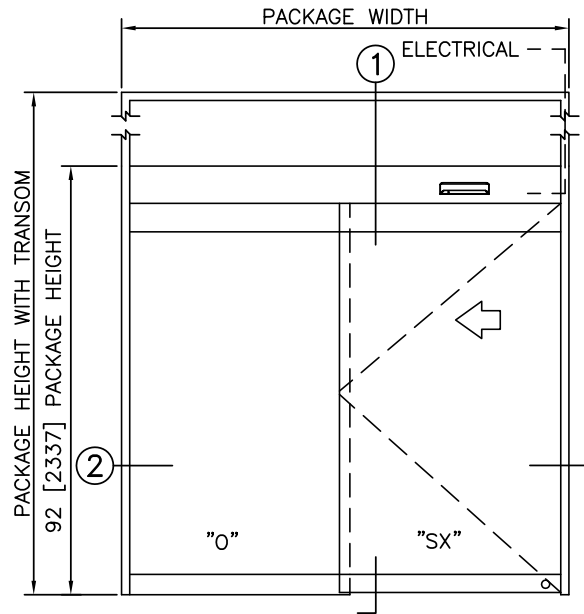
2 HORIZONTAL SECTION

TYPICAL PACKAGE DIMENSIONS (NARROW STILE)

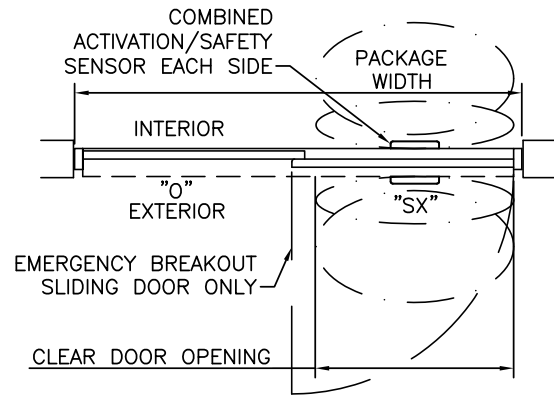
PACKAGE WIDTH	NOMINAL CLEAR DOOR OPENING	DOOR PANEL NOMINAL WIDTH	EMERGENCY BREAKOUT NOM. WIDTH
84"	35.3"	41.5"	39.0"
96"	41.3"	47.5"	45.0"
102"	44.3"	50.5"	48.0"



1 VERTICAL SECTION



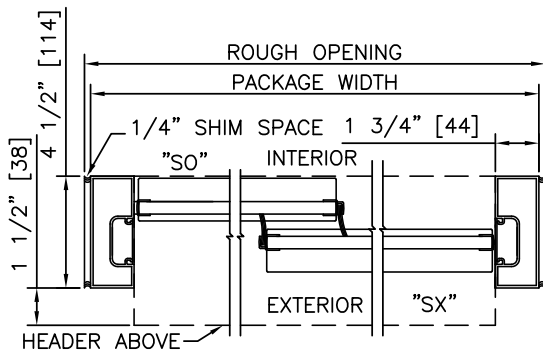
ELEVATION



PLAN

**NOTES**

1. ELECTRICAL REQUIREMENTS: BY ELECTRICAL CONTRACTOR  
120 VAC, 5 AMP MIN TO POWER OPERATOR  
CONTROL CIRCUIT FROM SECURE ACTIVATION TO OPERATOR
2. ROUGH OPENING SHALL PROVIDE 1/4"[6] SHIM SPACE ON SIDES AND TOP OF PACKAGE.
3. LIMITS OF ACTIVATION AND SAFETY ZONES ARE FOR REFERENCE ONLY; SEE ANSI/BHMA A156.10 FOR DETAILED REQUIREMENTS.
4. SEE SPECIFICATIONS FOR ADDITIONAL INFORMATION.



2 HORIZONTAL SECTION

TYPICAL PACKAGE DIMENSIONS (NARROW STILE)

PACKAGE WIDTH	NOMINAL CLEAR DOOR OPENING	DOOR PANEL NOMINAL WIDTH	EMERGENCY BREAKOUT NOM. WIDTH
84"	35.3"	41.5"	39.0"
96"	41.3"	47.5"	45.0"
102"	44.3"	50.5"	48.0"