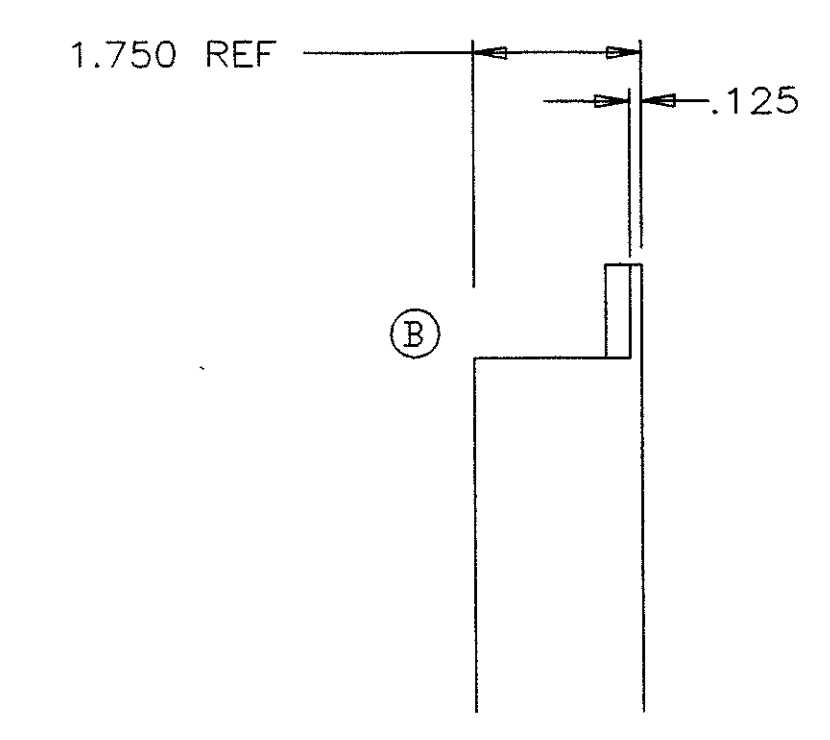
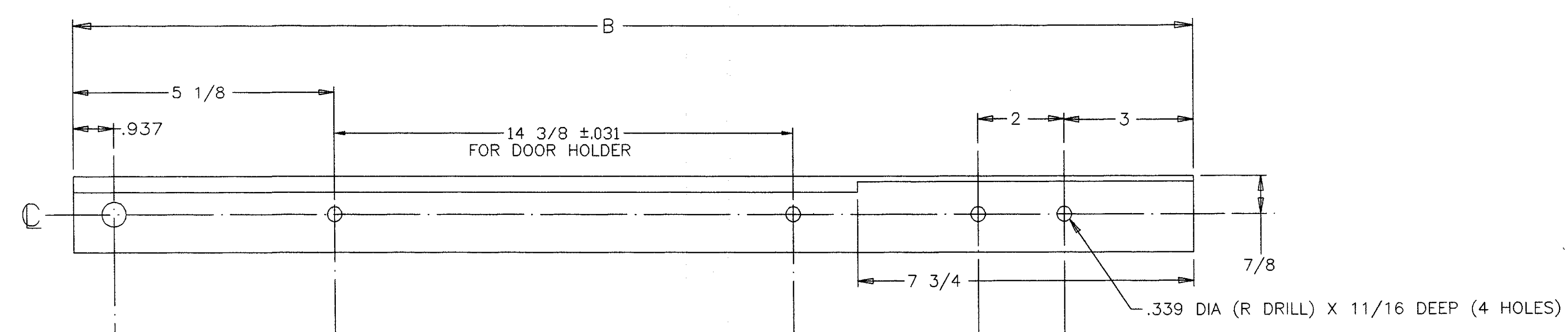
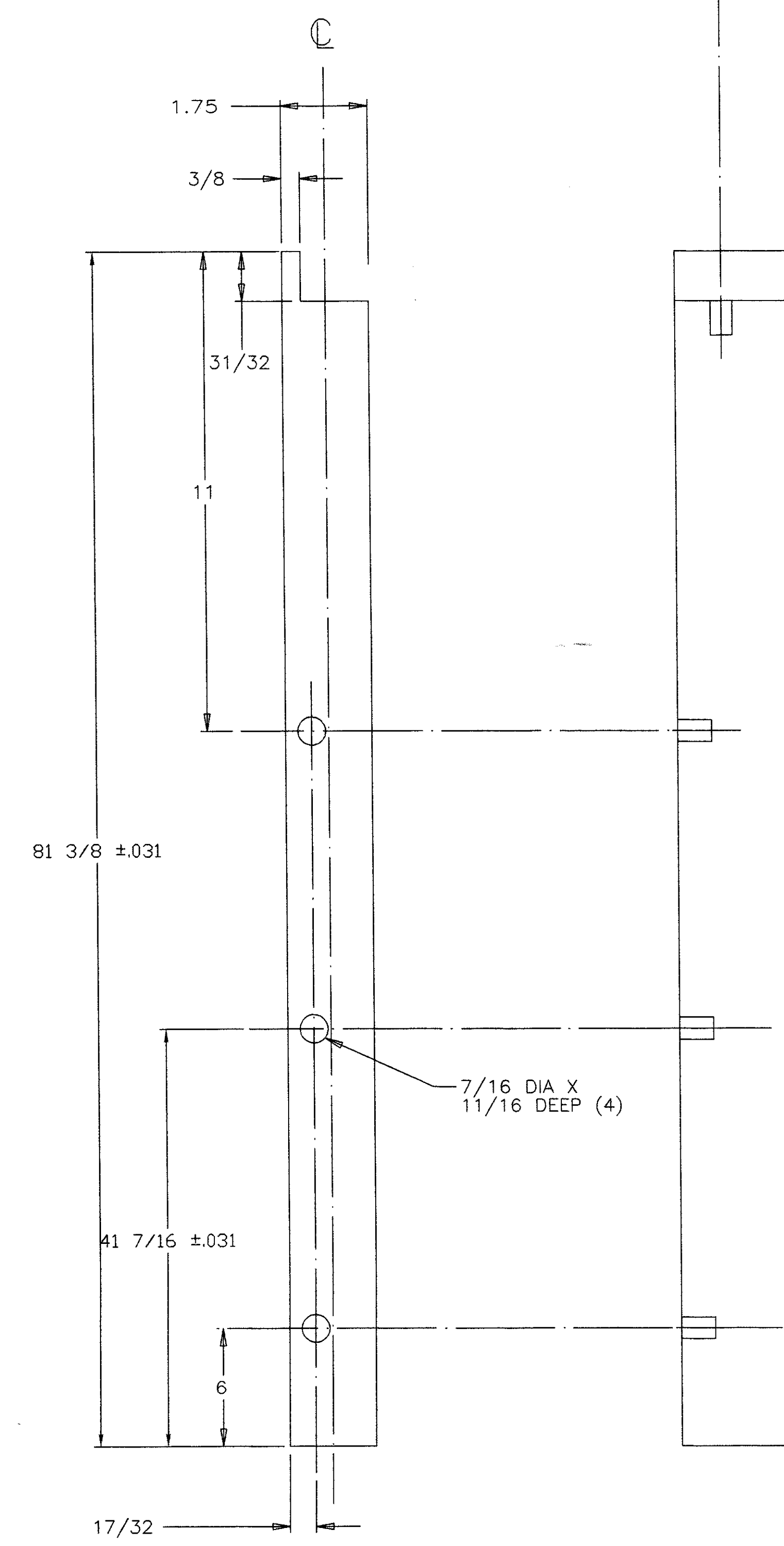


110904

REV	ECN NO.	DATE	DESCRIPTION	DRAWN	APPROVED
A	96-1-8	10/21/96	INITIAL RELEASE	T.J.S.	9/10/96
B	99-89	2/18/00	REMOVE LIP & CUT OUT FROM TOP OF DOOR	RWH	WJF

MODEL NO.	OVERALL WIDTH "A" ±.031	WOOD WIDTH "B" ±.031
2036	42	40
2042	48	46
2044	50	48
2048	54	52
2248	30	28
2260	36	34
2272	42	40



SECTION A-A

DO NOT SCALE DRAWING

UNLESS OTHERWISE SPECIFIED
 TOLERANCES:
 LINEAR DIMENSIONS ±.015
 ANGULAR DIMENSIONS ±1'
 SURFACE FINISH: 32
 DIMENSIONS ARE IN INCHES
 BREAK SHARP EDGES .015x45°
 MIN. FILLET RADIUS .015 R

THIS DOCUMENT IS THE PROPERTY OF THE STANLEY WORKS AND IS FURNISHED ON THE CONDITION THAT IT IS NOT TO BE DISCLOSED, REPRODUCED IN WHOLE OR IN PART, OR USED FOR MANUFACTURE FOR ANYONE OTHER THAN THE STANLEY WORKS WITHOUT ITS WRITTEN CONSENT.

110905
 NEXT ASSY:

QTY	ITEM	PART NO.	DESCRIPTION
	DRAWN: T.J.S.	9/10/96	STANLEY ACCESS TECHNOLOGIES
	CHECKED: J. ROEDA	10/21/96	DIVISION OF THE STANLEY WORKS, FARMINGTON, CT, USA
	APPROVED: P. LOMBARDO	10/21/96	TITLE: DOOR BLANK - RH SX (WOOD)
	MATERIAL: WOOD DOOR BY OTHERS		DESIGNER PACKAGE
	FINISH:		PRODUCT LINE: DURA GLIDE 2000 DESIGNER
	SIZE: D	DWG NO. 110904	REV: B
	SCALE: 1:1		SHEET 1 OF 1

110904