



**SLIDING AUTOMATIC DOOR OPERATORS:
DURA-GLIDE 2000/3000 DESIGNER PACKAGE**

SX LH HOLLOW METAL - PANEL PREPARATION

SX LH HOLLOW METAL

SX LH WOOD- PANEL PREPARATION

SX LH WOOD

SX RH HOLLOW METAL - PANEL PREPARATION

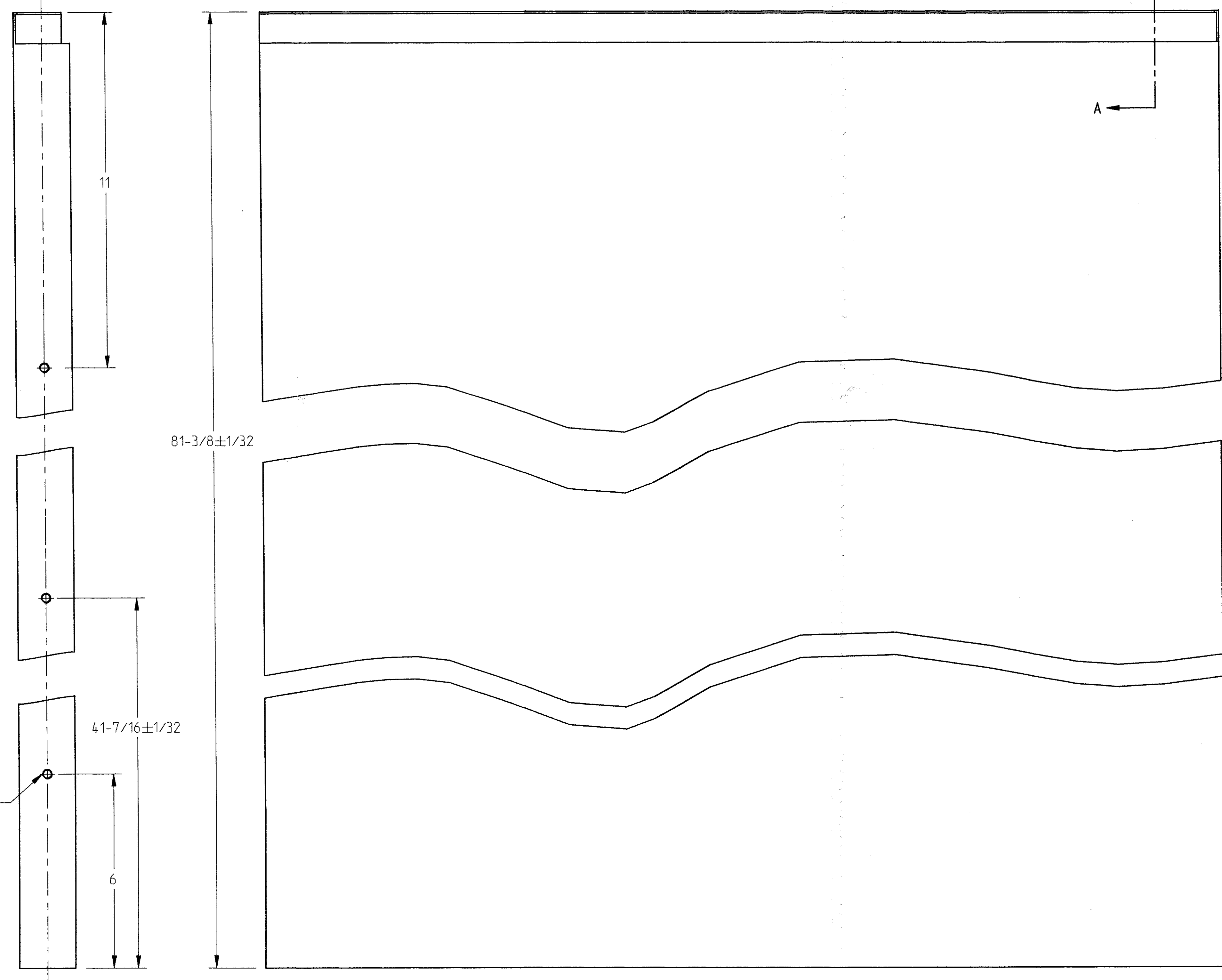
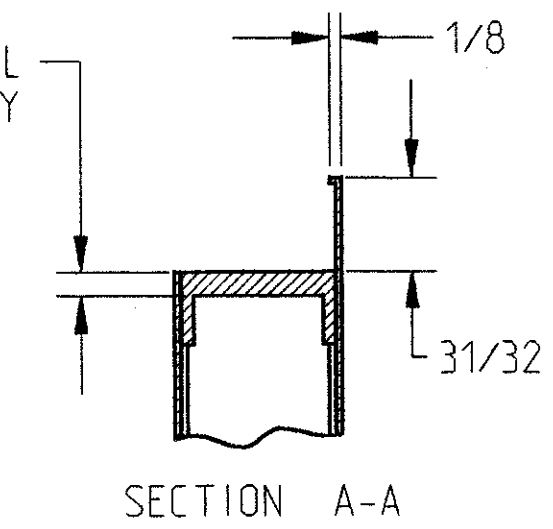
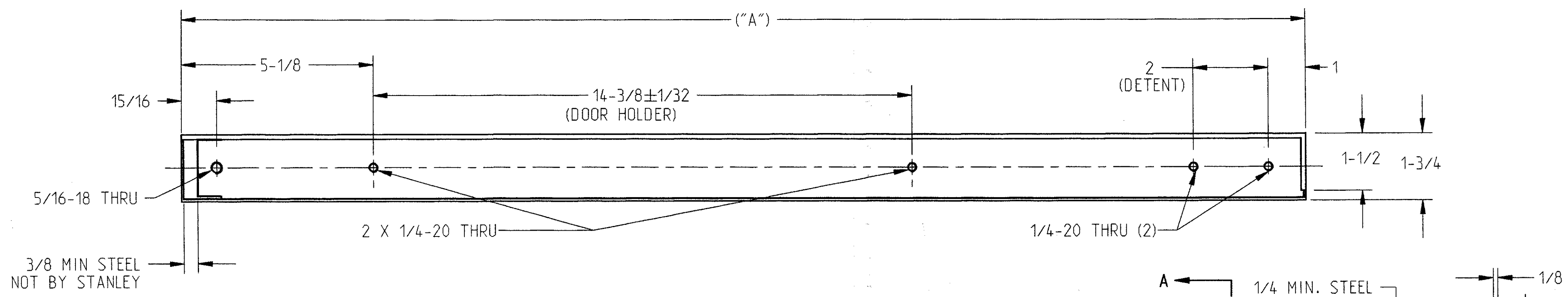
SX RH HOLLOW METAL

SX RH WOOD- PANEL PREPARATION

SX RH WOOD

MODEL NO.	A±.031
2036	42
2042	48
2044	50
2048	54
2248	30
2260	36
2272	42

REV.	BY	DATE	PCN #	DESCRIPTION
A	TJS	9-9-96	96-1-8	INITIAL RELEASE
B	BNW	5-14-98	98-21	1-4-20 WAS 12-24
C	JNK vlt	2-7-00	99-89	REDRAWN IN PRO-E DEL. 7/16 DIA., 2.5/16 DIA., 9/16 DIA. AND 5/8 DIA.

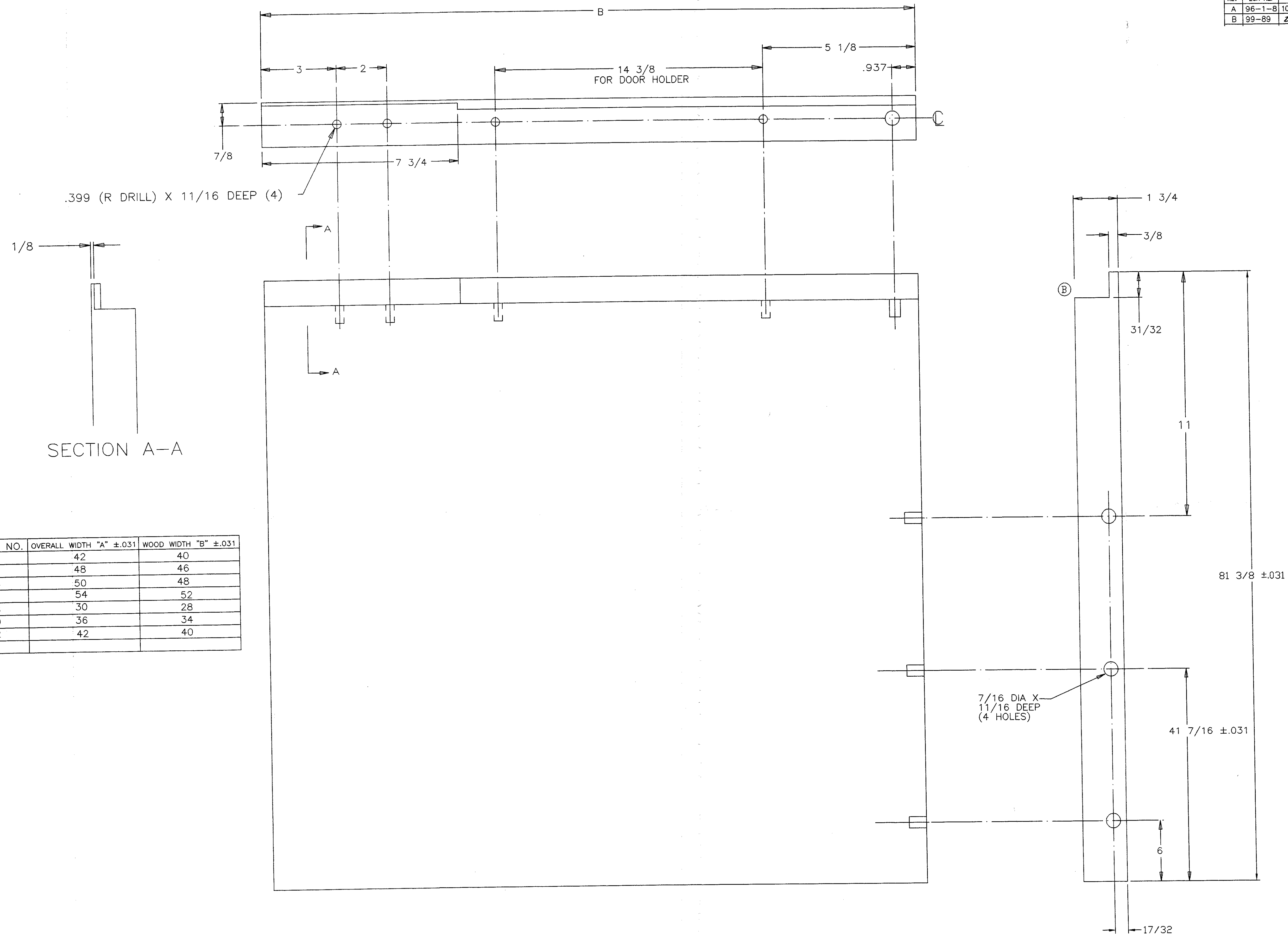


5/16-18 THRU (3) HOLES
REF. 3/4 LONG BUTTON HD
HEX SOC SCREWS (3)

Pro/ENGINEER File		STANLEY		CONFIDENTIAL - This document and all information contained herein is the property of The Stanley Works and may not be disclosed to unauthorized persons or reproduced by any means, or used for any purpose other than that submitted without express written permission from The Stanley Works.	
Drawn by:	Date:	Tolerances: (except as noted) .X: 0.1 .XX: 0.01 .XXX: 0.015 ANGLES: 1.0	DESIGNED BY: T.J.S.	Date:	Scale: (except as noted)
Checked by:	Date:			Date:	1:2
Approved by:	Date:	Project Number:	Material:	Finish:	Rev. Sheet:
P.LOMBARDO	10-21-96				
DURA-GLIDE 2000 DESIGNER		Part Number:		Title:	
SURFACE FINISH: <input checked="" type="checkbox"/> BREAk SHARP EDGES .01		110860		SX RH HOLLOW METAL PANEL PREPARATION DRAWING	

DWG NO. 110913

REV		ECN NO.	DATE	DESCRIPTION	DRAWN	APPROVED
A	96-1-8		10/21/96	INITIAL RELEASE	TAS	PJL
B	99-89		2/17/00	REMOVE LIP & CUT OUT FROM TOP	RWH	wef

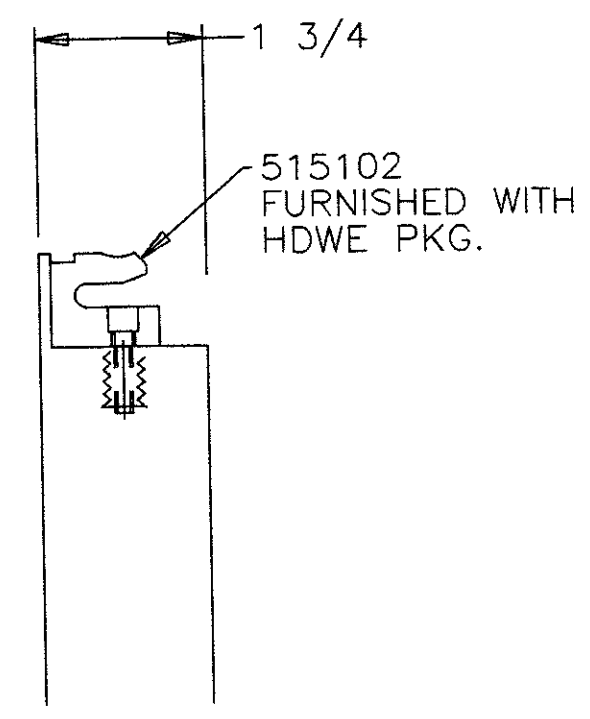


MODEL NO.	OVERALL WIDTH "A" ±.031	WOOD WIDTH "B" ±.031
2036	42	40
2042	48	46
2044	50	48
2048	54	52
2248	30	28
2260	36	34
2272	42	40

<p>DO NOT SCALE DRAWING</p> <p>UNLESS OTHERWISE SPECIFIED TOLERANCES LINEAR DIMENSIONS ±.015 ANGULAR DIMENSIONS ±1° SURFACE FINISH: 3/32 DIMENSIONS ARE IN INCHES BREAK SHARP EDGES .015x45° MIN. FILLET RADIUS .015 R</p>	<p>QTY</p>	<p>ITEM</p>	<p>PART NO.</p>	<p>DESCRIPTION</p>
	<p>110912</p>	<p>1</p>	<p>WOOD DOOR BY OTHERS</p>	<p>STANLEY ACCESS TECHNOLOGIES DIVISION OF THE STANLEY WORKS, FARMINGTON, CT, USA TITLE: DOOR BLANK-LH SX (WOOD) DESIGNER SERIES PRODUCT LINE: DURA GLIDE 2000 DESIGNER SIZE: D DWG NO. 110913 REV B</p>
<p>THIS DOCUMENT IS THE PROPERTY OF THE STANLEY WORKS AND IS FURNISHED ON THE CONDITION THAT IT IS NOT TO BE DISCLOSED, REPRODUCED IN WHOLE OR IN PART, OR USED FOR MANUFACTURE FOR ANYONE OTHER THAN THE STANLEY WORKS WITHOUT ITS WRITTEN CONSENT.</p>	<p>SCALE 1:1</p>	<p>SHEET 1 OF 1</p>	<p>DWG NO. 110913</p>	<p>REV B</p>

REV	ECN NO.	DATE	DESCRIPTION	DRAWN	APPROVED
A	96-1-8	10/21/96	INITIAL RELEASE	T.J.S.	9/10/96 P.J.L.
B	99-89	2/3/00	PICTORIAL UPDATE 110913		

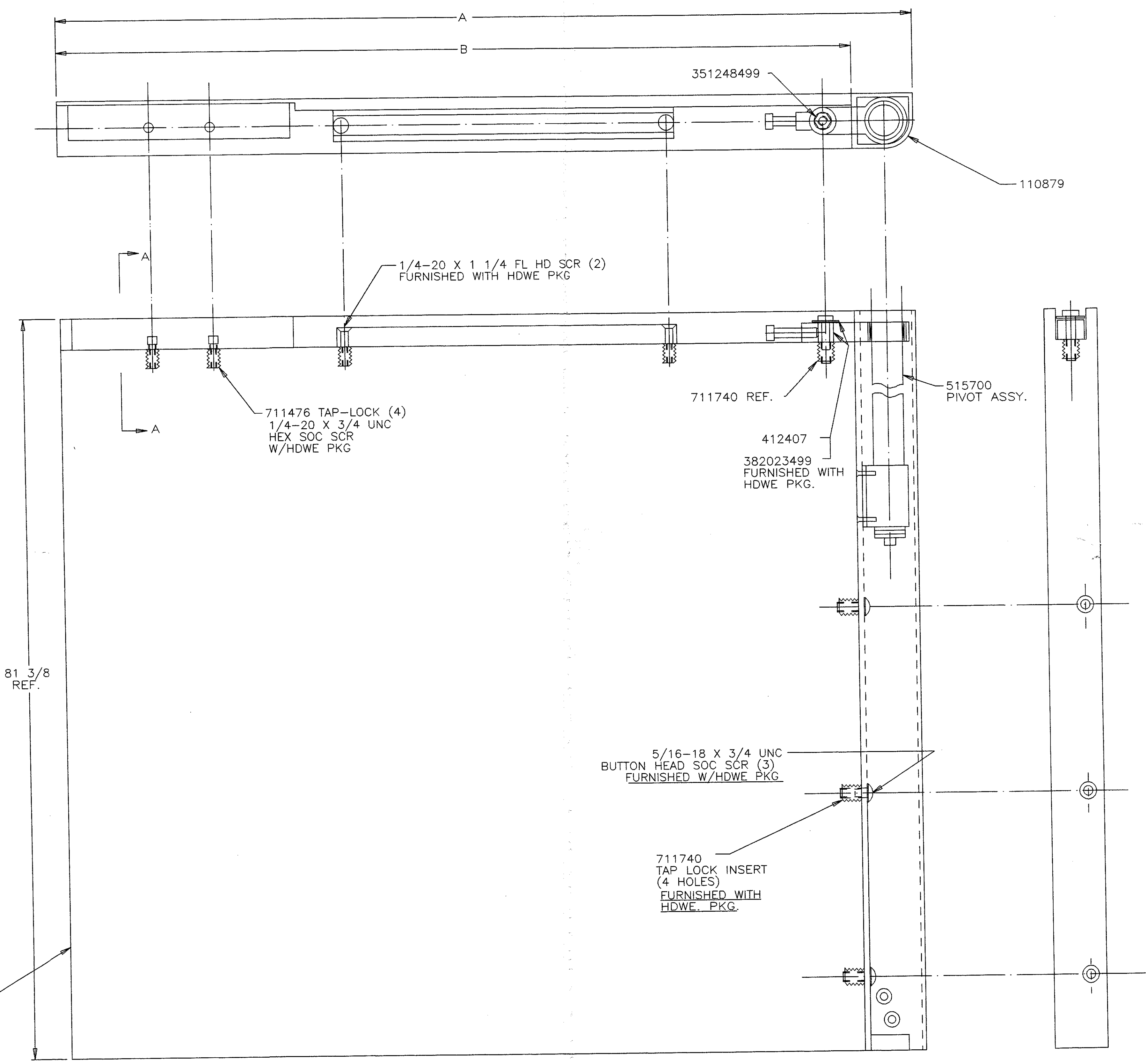
MODEL NO.	OVERALL WIDTH "A" ±.031	WOOD WIDTH "B" ±.031
2036	42	40
2042	48	46
2044	50	48
2048	54	52
2248	30	28
2260	36	34
2272	42	40



INSTALLATION
 FOR MOST WOOD APPLICATIONS INCLUDING MEDIUM HARD AND HARD WOOD THE INSERT SHOULD BE INSTALLED SLOT OR HOLE DOWN. THE CUTTING ACTION AT THE SLOTTED OR HOLE SECTION ALLOWS A FREER INSTALLATION AND AVOIDS RADIAL STRESSES WHICH MAY OTHERWISE SPLIT THE WOOD.

IN SOFT WOODS, THE INSERT SHOULD BE INSTALLED SLOT OR HOLE UP. THE INSERT IS THEN THREAD FORMING, SIMILAR TO A WOOD SCREW. THE ABSENCE OF CUTTING PROVIDES A FIRM ANCHOR IN THE RELATIVELY SOFT WOOD.

NOTE: FOR INSTALLATIONS OF INSERTS, FASTEN SCREW INTO INSERT AND THREAD COMPLETE INSERT INTO DRILLED HOLES.



110913

DO NOT SCALE DRAWING

UNLESS OTHERWISE SPECIFIED
 TOLERANCES
 LINEAR DIMENSIONS ±.015
 ANGULAR DIMENSIONS ±1°
 SURFACE FINISH: 32
 DIMENSIONS ARE IN INCHES
 BREAK SHARP EDGES .015x45°
 MIN. FILLET RADIUS .015 R

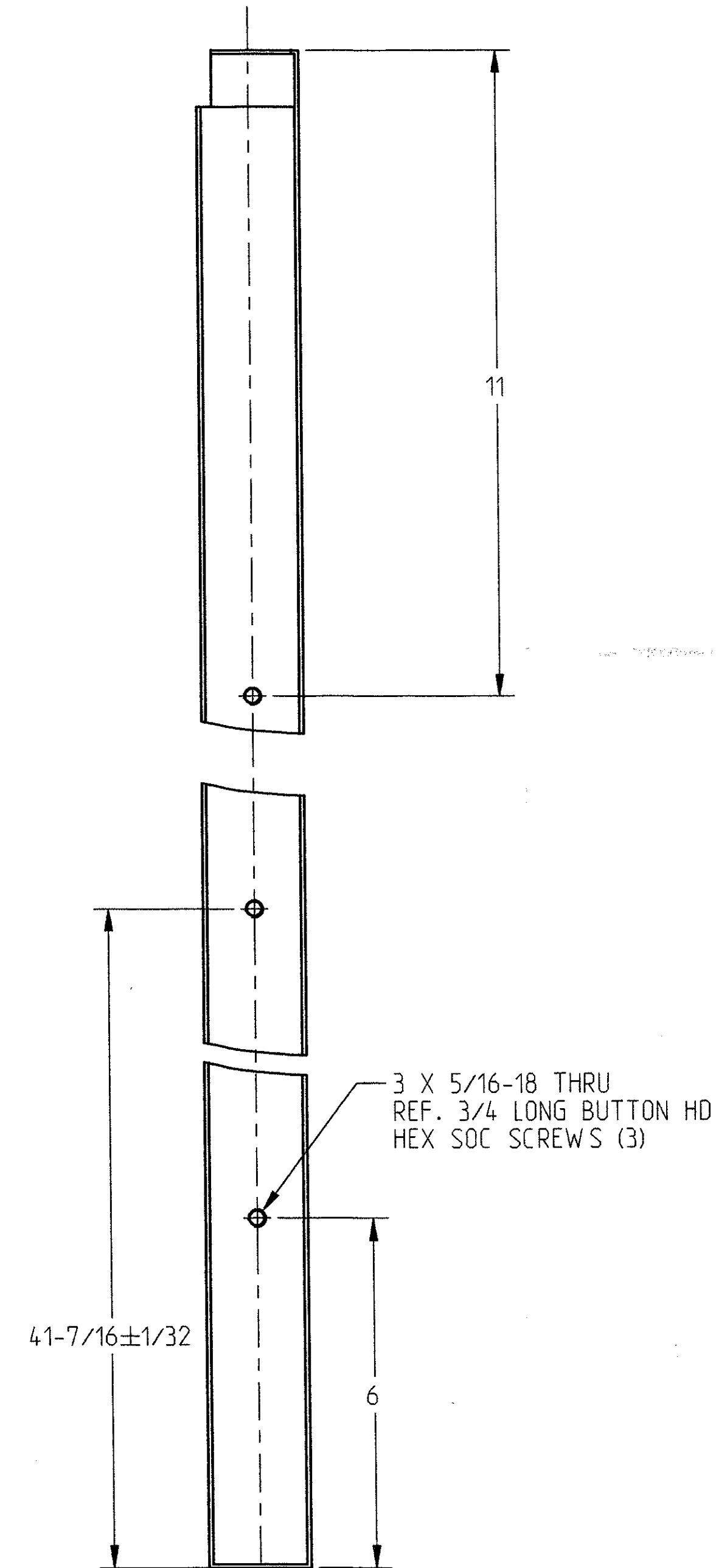
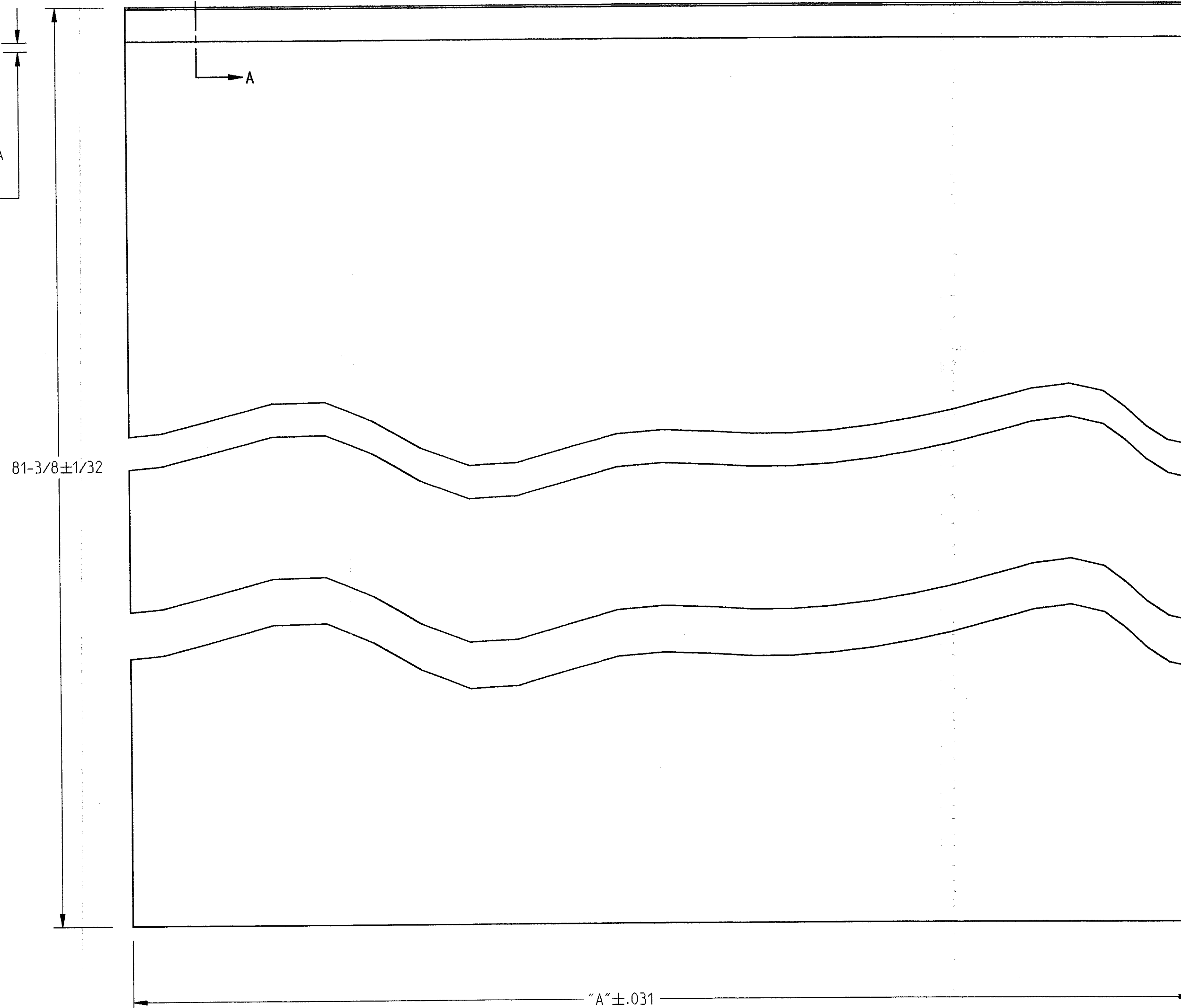
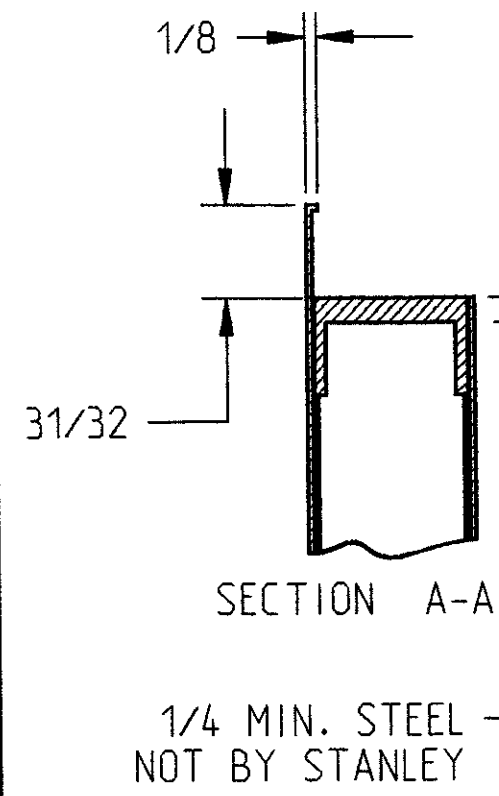
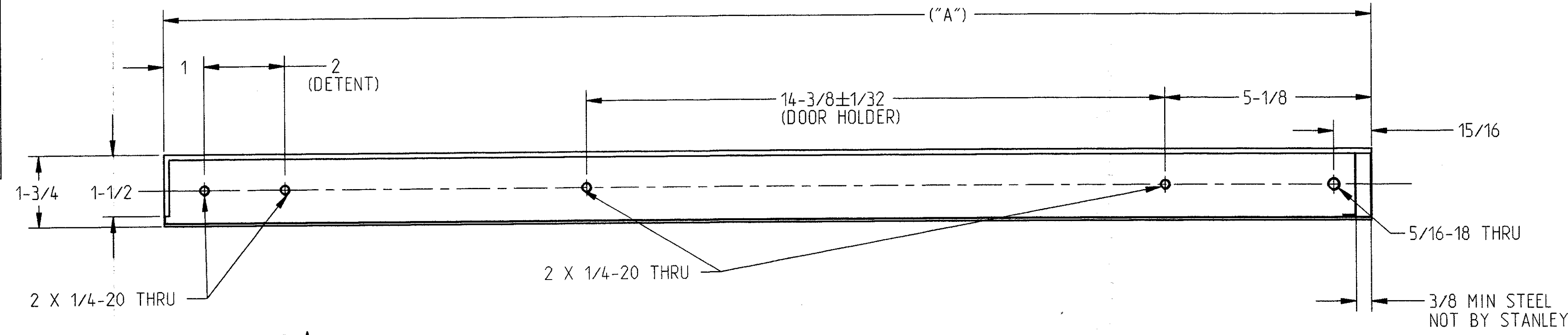
THIS DOCUMENT IS THE PROPERTY OF THE STANLEY WORKS AND IS FURNISHED ON THE CONDITION THAT IT IS NOT TO BE DISCLOSED, REPRODUCED IN WHOLE OR IN PART, OR USED FOR MANUFACTURE FOR ANYONE OTHER THAN THE STANLEY WORKS WITHOUT ITS WRITTEN CONSENT.

NEXT ASSY:

QTY	ITEM	PART NO.	DESCRIPTION
			STANLEY ACCESS TECHNOLOGIES
			DIVISION OF THE STANLEY WORKS, FARMINGTON, CT, USA
			DRAWN: T.J.S. 9/12/96
			CHECKED: J. ROBIDA 10/21/96
			APPROVED: P. LOMBARDO 10/21/96
			TITLE: SX DOOR ASSY LH (WOOD) DESIGNER PACKAGE
			PRODUCT LINE: DURA GLIDE 2000 DESIGNER
			SIZE: D DWG NO. 110912 REV B
			SCALE: 1:1 SHEET 1 OF 1

MODEL NO.	A±.031
2036	42
2042	48
2044	50
2048	54
2248	30
2260	36
2272	42

REV.	BY	DATE	PCN #	DESCRIPTION
A	TJS	9-9-96	96-1-B	INITIAL RELEASE
B	RWH	5-11-98	98-21	1/4-20 WAS 12-24
C	JPK	2-7-00	99-8P	REBORN ON PRO-E DEL. 2 5/16 DIA. 5/16 DIA. 5/8 DIA. AND 7/8 DIA.

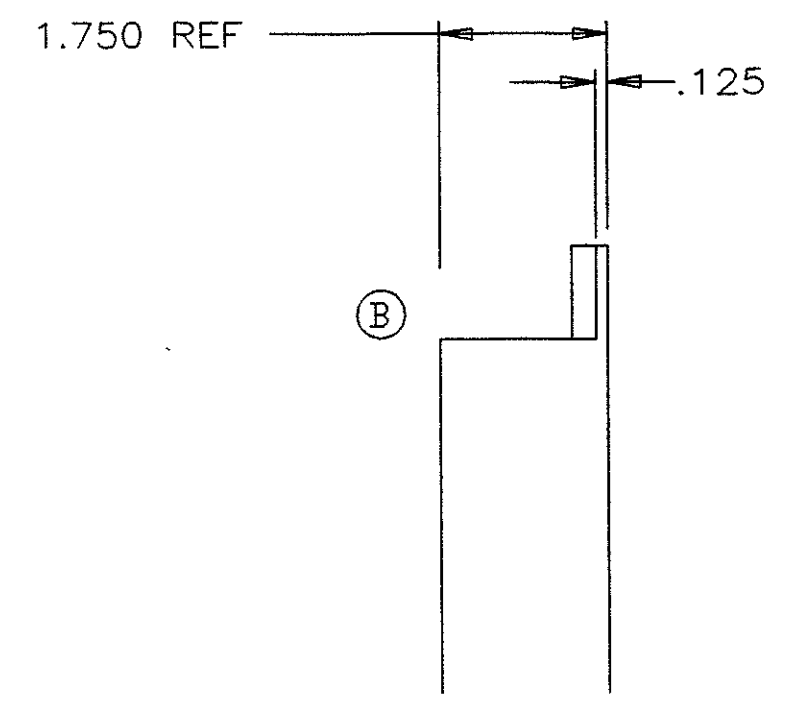
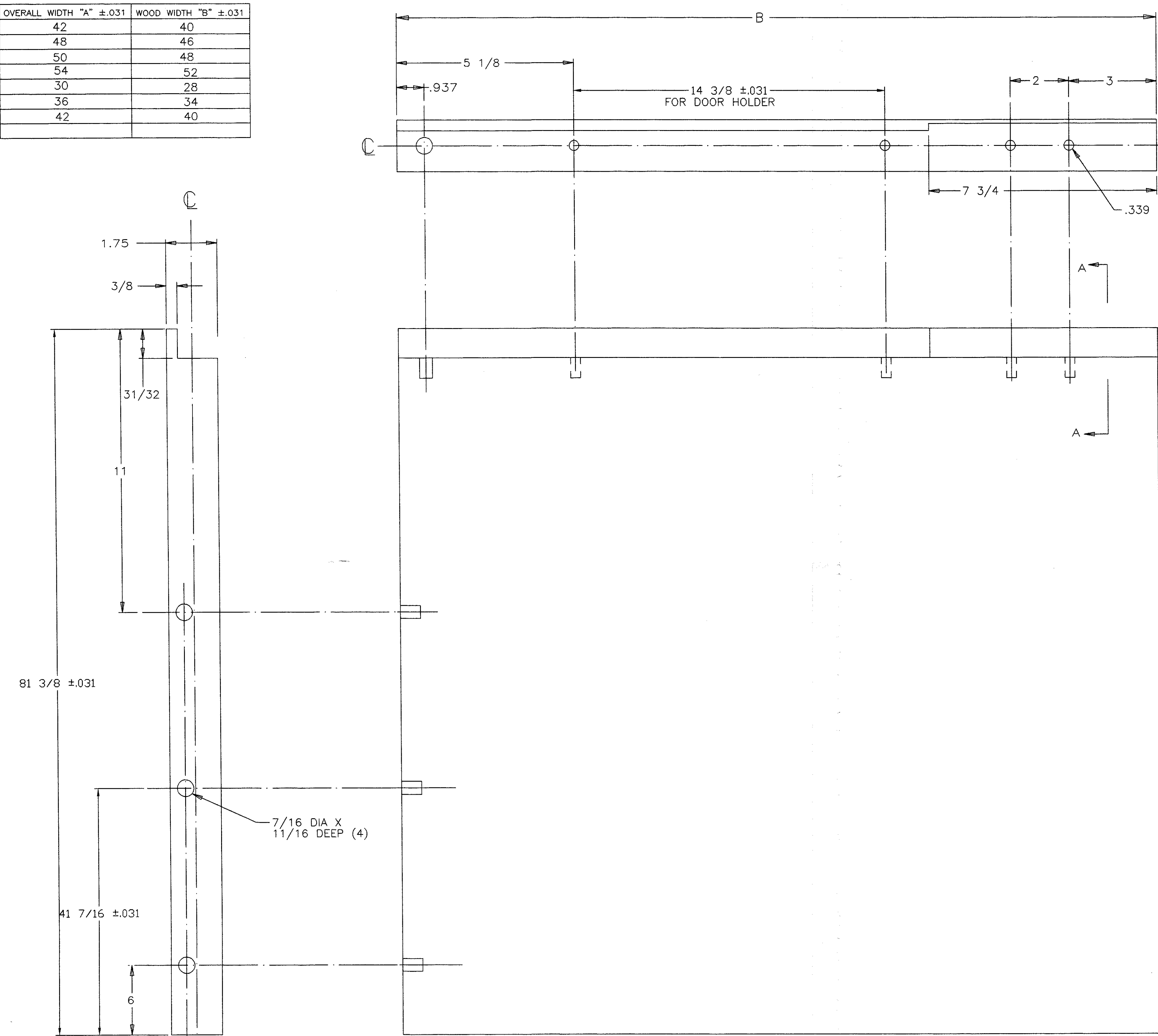


Pro/ENGINEER File		STANLEY		CONFIDENTIAL - This document and all information contained herein is the property of The Stanley Works and may not be disclosed to unauthorized persons or reproduced by any means, or used for any purpose other than that submitted without express written permission from The Stanley Works.	
Drawn by: TJS	Date: 9-9-96	ACCESS TECHNOLOGIES		Designed by: T.J.S.	Date: 2-7-00 Scale: (except as noted) 1:2
Checked by: J.ROBIDA	Date: 10-21-96	Tolerances: (except as noted) XX: 0.01 XXX: 0.015 ANGLES: 1.0		Material:	Finish:
Approved by: P.LOMBARDO	Date: 10-21-96	Project Number:		Title: SX LH HOLLOW METAL PANEL PREPARATION DRAWING	
Project: DURA-GLIDE 2000 DESIGNER		Part Number: 110860		Drawing Number: 110859 Rev: C Sheet: 1 OF 1	

110904

REV	ECN NO.	DATE	DESCRIPTION	DRAWN	APPROVED
A	96-1-8	10/21/96	INITIAL RELEASE	T.J.S.	P.J.L.
B	99-89	2/18/00	REMOVE LIP & CUT OUT FROM TOP OF DOOR	RWH	WJF

MODEL NO.	OVERALL WIDTH "A" ±.031	WOOD WIDTH "B" ±.031
2036	42	40
2042	48	46
2044	50	48
2048	54	52
2248	30	28
2260	36	34
2272	42	40



SECTION A-A

DO NOT SCALE DRAWING

UNLESS OTHERWISE SPECIFIED
 TOLERANCES:
 LINEAR DIMENSIONS ±.015
 ANGULAR DIMENSIONS ±1'
 SURFACE FINISH: 32
 DIMENSIONS ARE IN INCHES
 BREAK SHARP EDGES .015x45°
 MIN. FILLET RADIUS .015 R

THIS DOCUMENT IS THE PROPERTY OF THE STANLEY WORKS AND IS FURNISHED ON THE CONDITION THAT IT IS NOT TO BE DISCLOSED, REPRODUCED IN WHOLE OR IN PART, OR USED FOR MANUFACTURE FOR ANYONE OTHER THAN THE STANLEY WORKS WITHOUT ITS WRITTEN CONSENT.

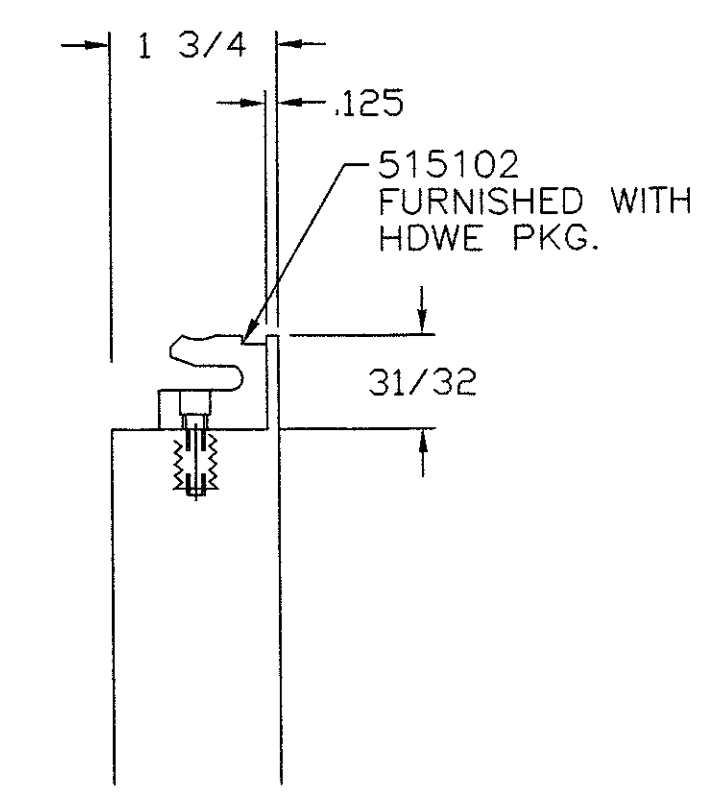
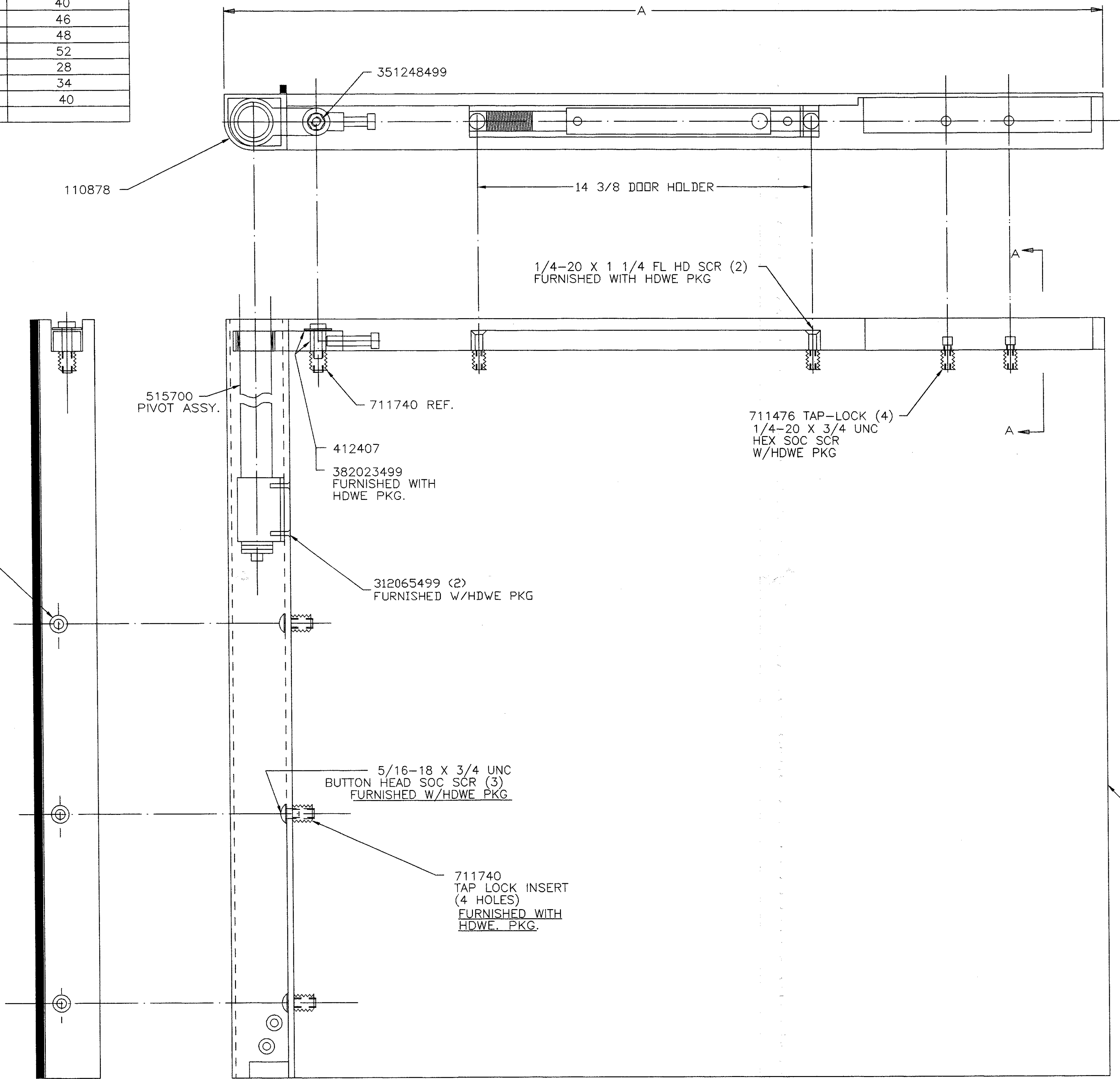
110905
 NEXT ASSY:

QTY	ITEM	PART NO.	DESCRIPTION
	DRAWN: T.J.S. 9/10/96		STANLEY ACCESS TECHNOLOGIES
	CHECKED: J. ROEDA 10/21/96		DIVISION OF THE STANLEY WORKS, FARMINGTON, CT, USA
	APPROVED: P. LOMBARDO 10/21/96		TITLE: DOOR BLANK - RH SX (WOOD)
	MATERIAL: WOOD DOOR BY OTHERS		DESIGNER PACKAGE
	FINISH:		PRODUCT LINE: DURA GLIDE 2000 DESIGNER
	SIZE: D	DWG NO. 110904	REV: B
	SCALE: 1:1		SHEET 1 OF 1

110904

REV	ECN NO	DATE	DESCRIPTION	DRAWN	APPROVED
A	96-1-8	10/21/96	INITIAL RELEASE	T.J.S. 9/10/96	P.J.L.
B	99-89	2/3/00	PICTORIAL UPDATE 110904	RWH	<i>wld</i>

MODEL NO.	OVERALL WIDTH "A" ±.031	WOOD WIDTH "B" ±.031
2036	42	40
2042	48	46
2044	50	48
2048	54	52
2248	30	28
2260	36	34
2272	42	40



SECTION A-A

INSTALLATION
FOR MOST WOOD APPLICATIONS INCLUDING MEDIUM HARD AND HARD WOOD THE INSERT SHOULD BE INSTALLED SLOT OR HOLE DOWN. THE CUTTING ACTION AT THE SLOTTED OR HOLE SECTION ALLOWS A FREER INSTALLATION AND AVOIDS RADIAL STRESSES WHICH MAY OTHERWISE SPLIT THE WOOD.

IN SOFT WOODS, THE INSERT SHOULD BE INSTALLED SLOT OR HOLE UP. THE INSERT IS THEN THREAD FORMING, SIMILAR TO A WOOD SCREW. THE ABSENCE OF CUTTING PROVIDES A FIRM ANCHOR IN THE RELATIVELY SOFT WOOD.

NOTE: FOR INSTALLATIONS OF INSERTS, FASTEN SCREW INTO INSERT AND THREAD COMPLETE INSERT INTO DRILLED HOLES.

DO NOT SCALE DRAWING	UNLESS OTHERWISE SPECIFIED		QTY	ITEM	PART NO.	DESCRIPTION
	TOLERANCES		DRAWN: T.J.S. 9/12/96			
	LINEAR DIMENSIONS ±.015		CHECKED: J. ROBIDA 10/21/96			
	ANGULAR DIMENSIONS ±1°		APPROVED: P. LOMBARDI 10/21/96			
DIMENSIONS ARE IN INCHES		MATERIAL:		TITLE: SX DOOR ASSY RH (WOOD) DESIGNER PACKAGE		
BREAK SHARP EDGES .015x45°		FINISH:		PRODUCT LINE: DURA GLIDE 2000 DESIGNER		
MIN. FILLET RADIUS .015 R		THIS DOCUMENT IS THE PROPERTY OF THE STANLEY WORKS AND IS FURNISHED ON THE CONDITION THAT IT IS NOT TO BE DISCLOSED, REPRODUCED IN WHOLE OR IN PART, OR USED FOR MANUFACTURE FOR ANYONE OTHER THAN THE STANLEY WORKS WITHOUT ITS WRITTEN CONSENT.		SIZE: D		
NEXT ASSY:		SCALE: 1:1		DWG NO. 110905		
		SHEET 1 OF 1		REV B		

110905