

SLIDING AUTOMATIC ENTRANCES: ACCESS CONTROL OPTIONS DURA-GLIDE™ 2000/3000

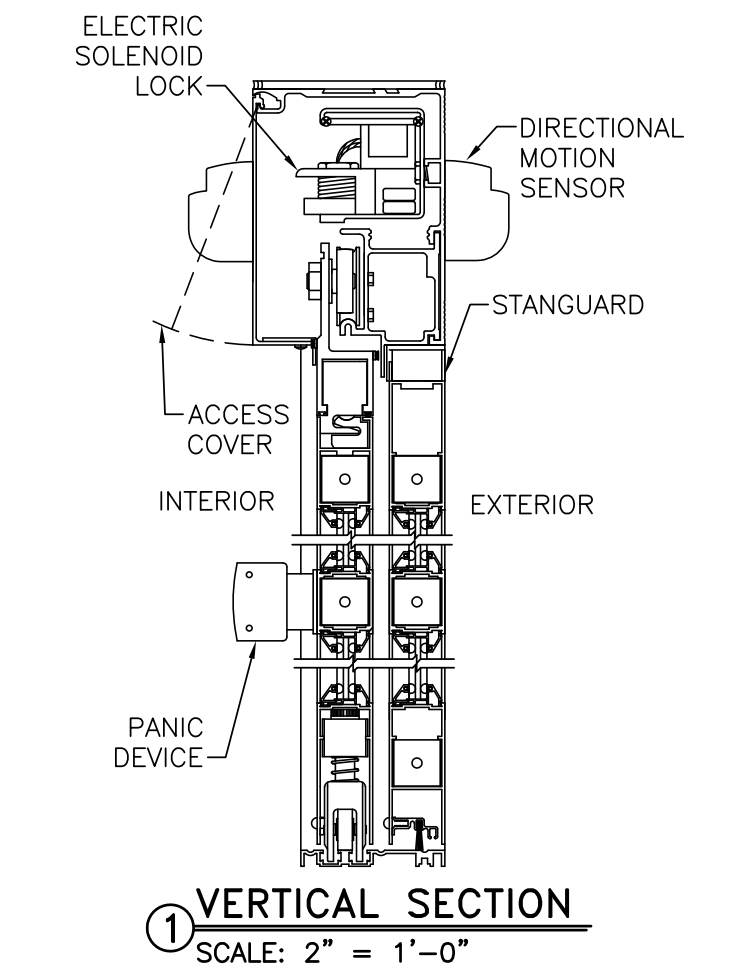
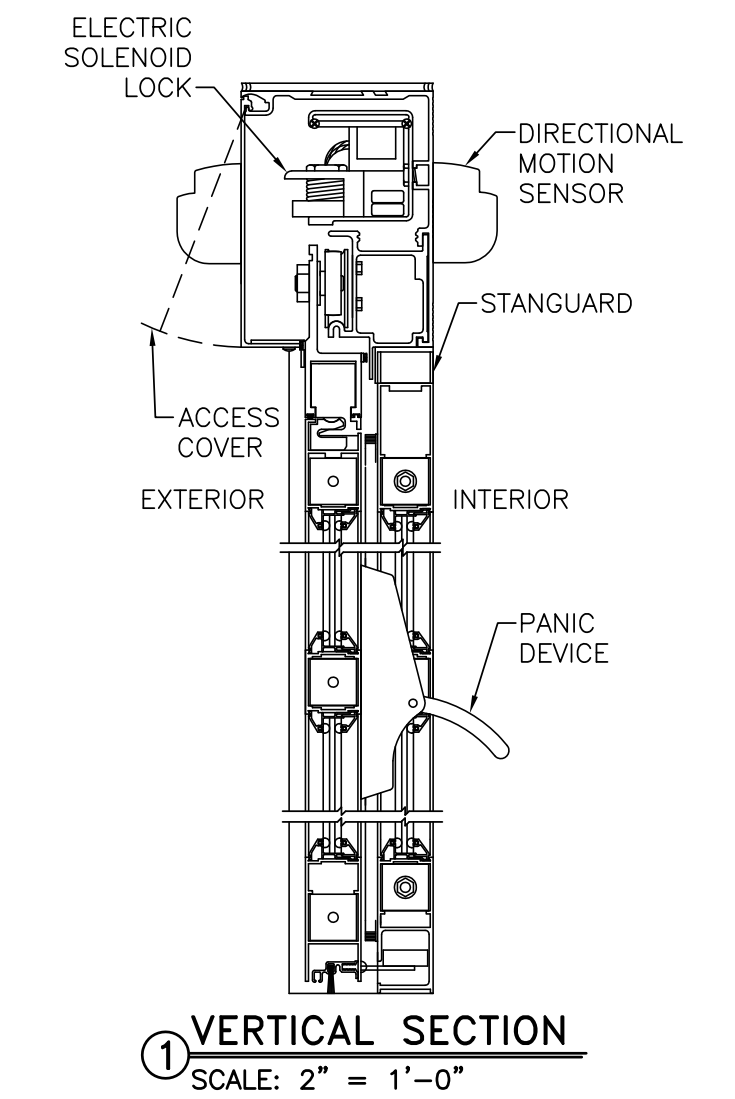
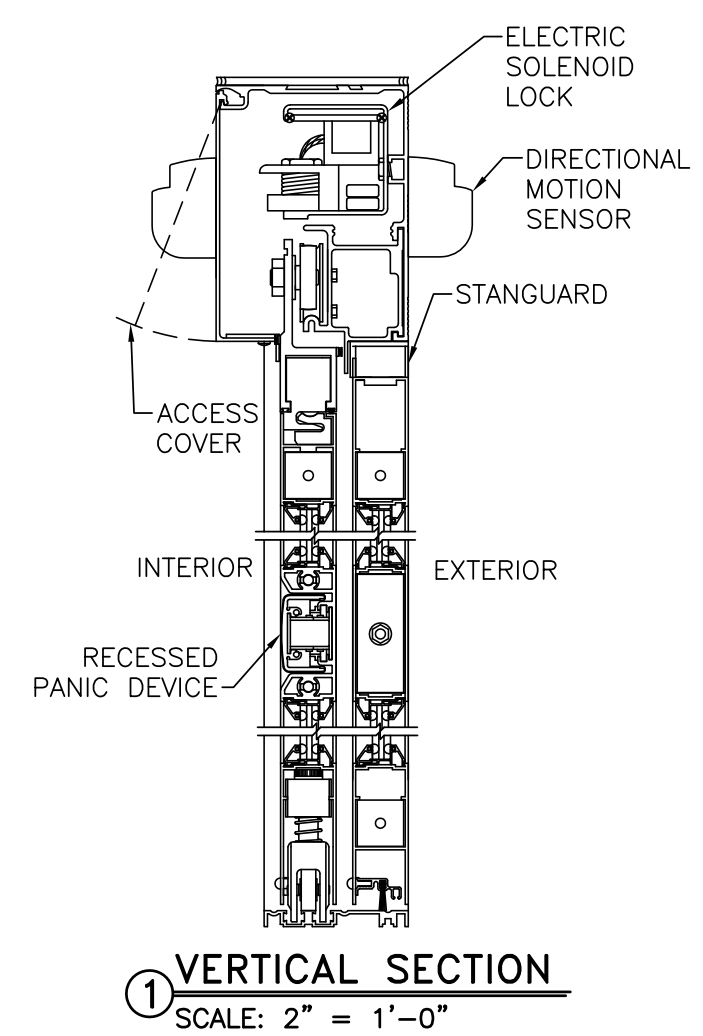
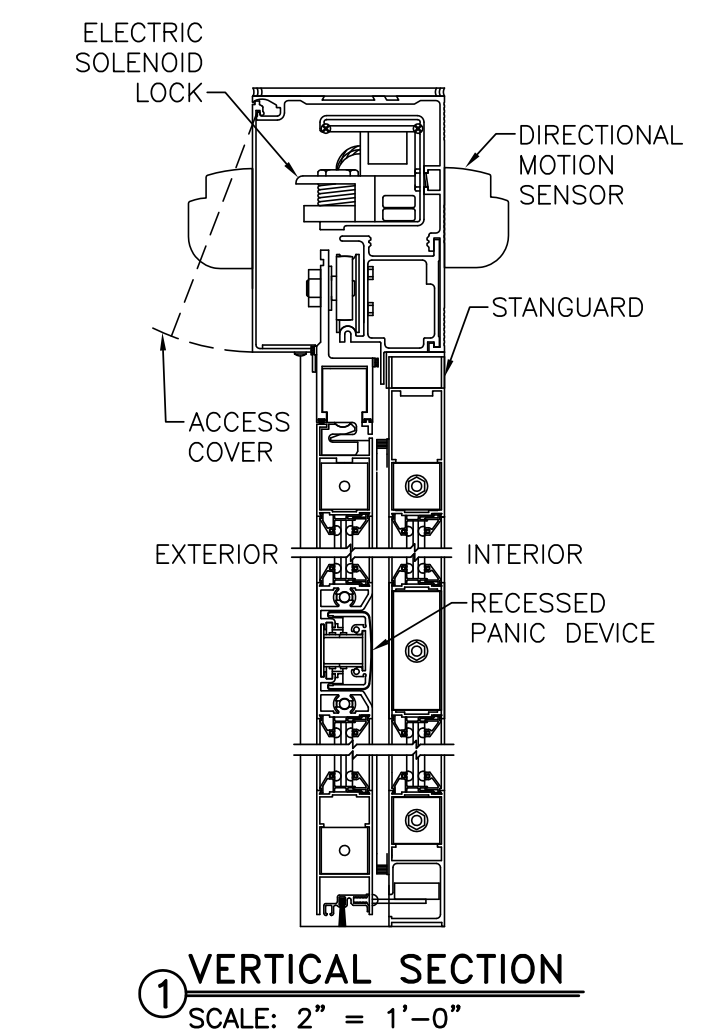
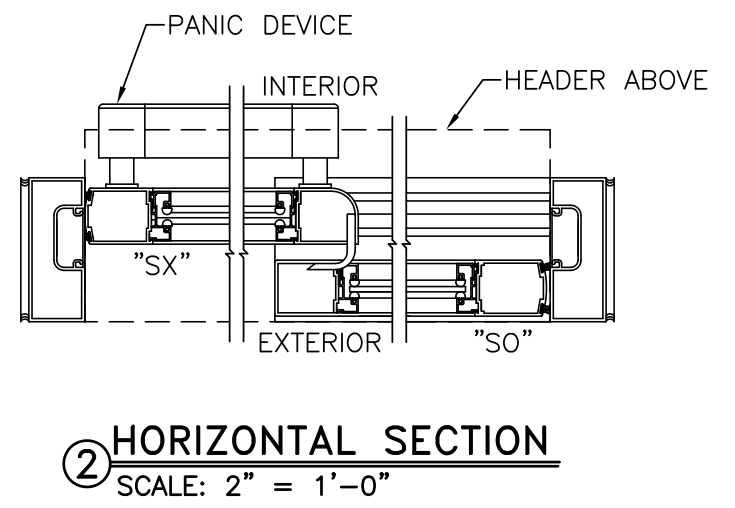
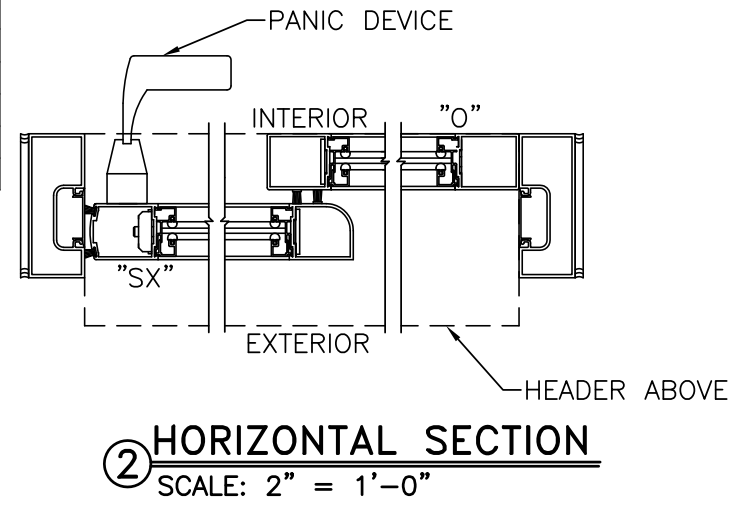
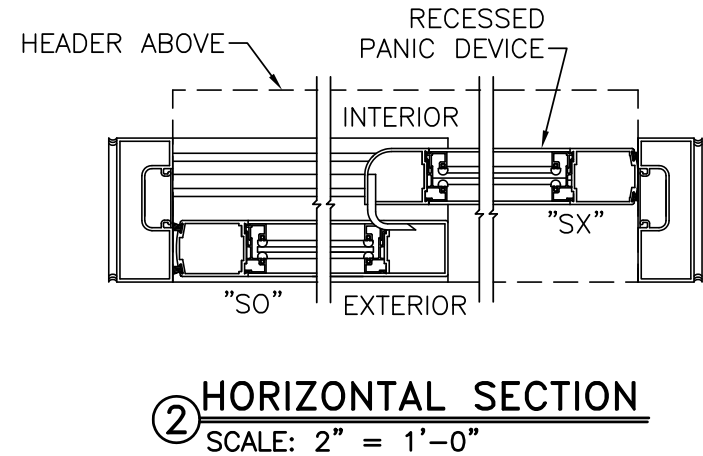
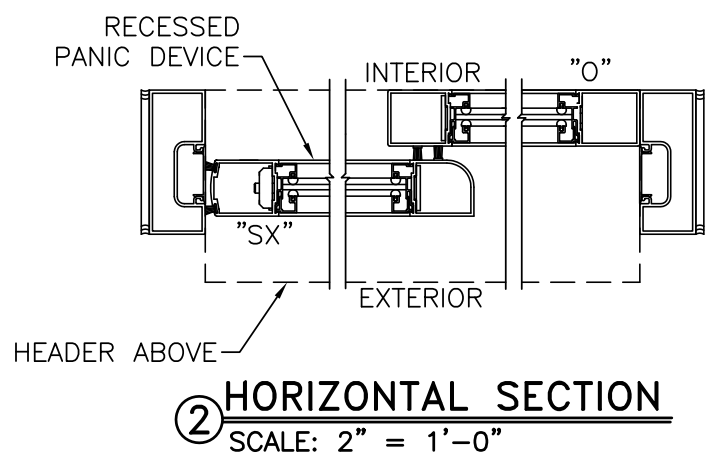
1.60 - ACCESS CONTROL OPTIONS

- 1.60.01 - 2000 ACCESS CONTROL OPTIONS
- 1.60.02 - 3000 ACCESS CONTROL OPTIONS



DURA-GLIDE 2000/3000 SERIES

ACCESS CONTROL OPTIONS	
PROJECT INFORMATION	
PROJECT NAME:	
LOCATION:	
DOOR NUMBER(S):	
DATE:	SHEET: OF



DURA-GLIDE 2000
ACCESS CONTROL WITH SOLENOID LOCK AND RECESSED PANIC DEVICE

DURA-GLIDE 3000
ACCESS CONTROL WITH SOLENOID LOCK AND RECESSED PANIC DEVICE

DURA-GLIDE 2000
ACCESS CONTROL WITH SOLENOID LOCK AND SURFACE PANIC DEVICE (PADDLE)

DURA-GLIDE 3000
ACCESS CONTROL WITH SOLENOID LOCK AND SURFACE PANIC DEVICE (BAR)

NOTES

- STANDARD ACCESS CONTROL SYSTEM INCLUDES ELECTRIC SOLENOID LOCK AND PANIC DEVICE; ELECTRIC SOLENOID LOCK MAY BE USED "STAND ALONE" WITHOUT PANIC DEVICE. CONSULT MANUFACTURER FOR SUGGESTED SUPPLEMENTAL LOCKING.
- HORIZONTAL SECTIONS SHOW SINGLE SLIDE ONLY; BI-PART SYSTEMS UTILIZE SAME COMPONENTS IN TWO SLIDING PANELS.
- ELECTRIC SOLENOID LOCK MAY BE FAIL SAFE OR FAIL SECURE.
- SEE SPECIFICATIONS FOR ADDITIONAL INFORMATION.

ACCESS CONTROL OPTIONS	
DURA-GLIDE 2000/3000 SERIES	STANLEY Security ACCESS TECHNOLOGIES

**DURA-GLIDE
2000
SERIES**

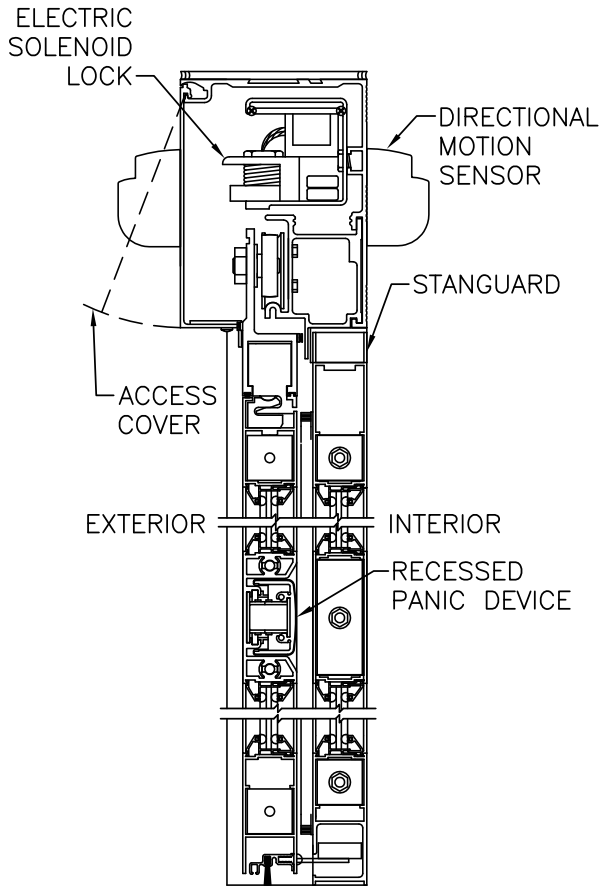
PROJECT NAME:

LOCATION:

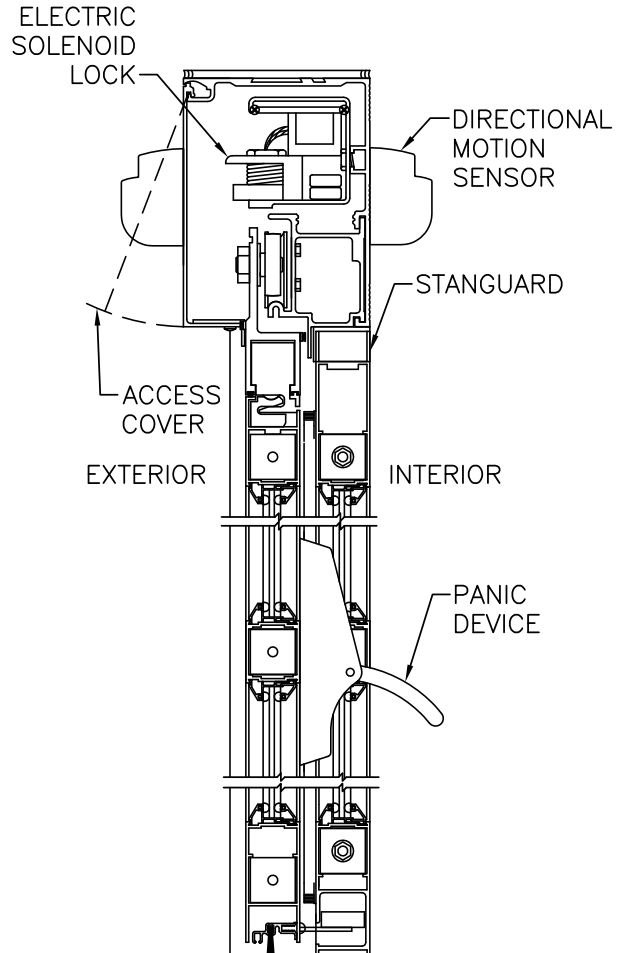
DOOR NUMBER(S):

DATE:

SHEET: OF



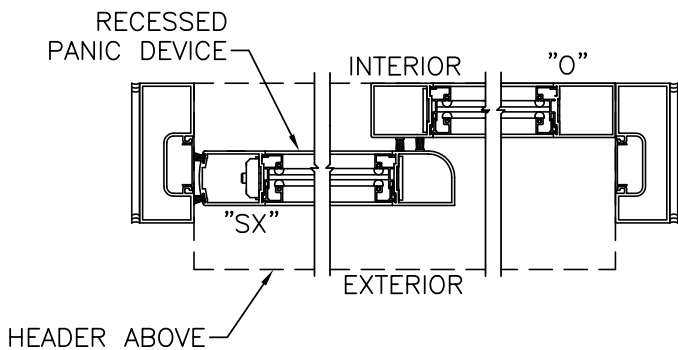
① VERTICAL SECTION



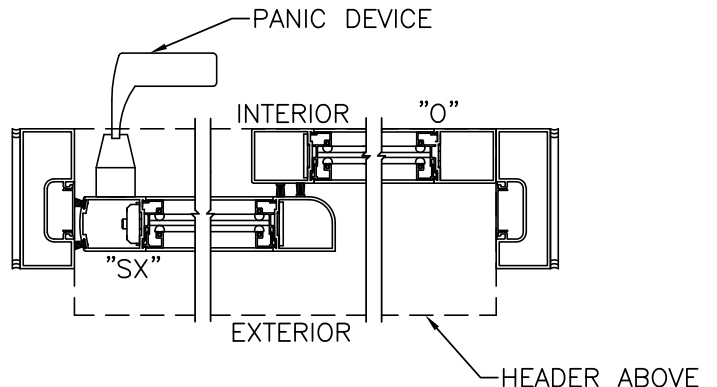
① VERTICAL SECTION

NOTES

1. STANDARD ACCESS CONTROL SYSTEM INCLUDES ELECTRIC SOLENOID LOCK AND PANIC DEVICE; ELECTRIC SOLENOID LOCK MAY BE USED "STAND ALONE" WITHOUT PANIC DEVICE. CONSULT MANUFACTURER FOR SUGGESTED SUPPLEMENTAL LOCKING.
2. HORIZONTAL SECTIONS SHOW SINGLE SLIDE ONLY; BI-PART SYSTEMS UTILIZE SAME COMPONENTS IN TWO SLIDING PANELS.
2. ELECTRIC SOLENOID LOCK MAY BE FAIL SAFE OR FAIL SECURE.
3. SEE SPECIFICATIONS FOR ADDITIONAL INFORMATION.

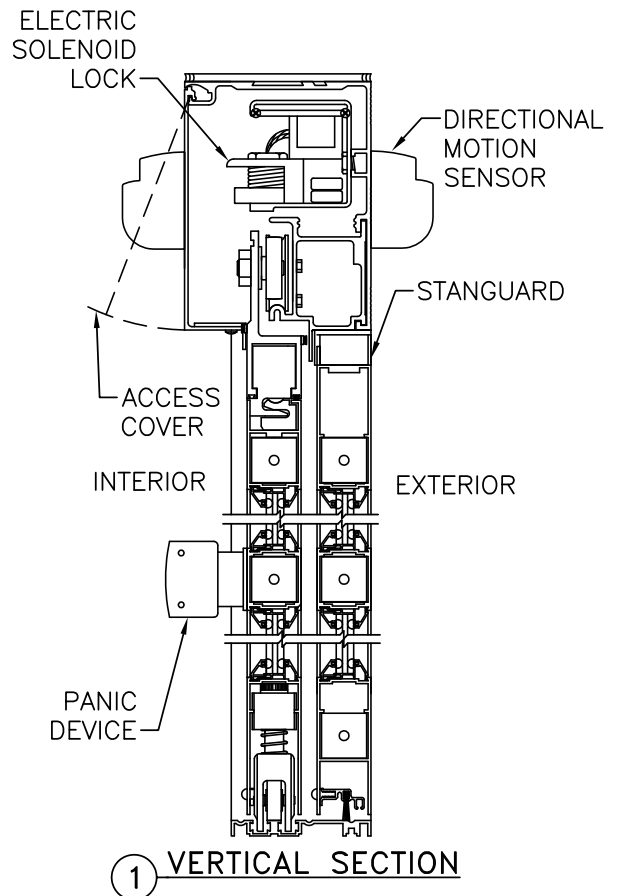
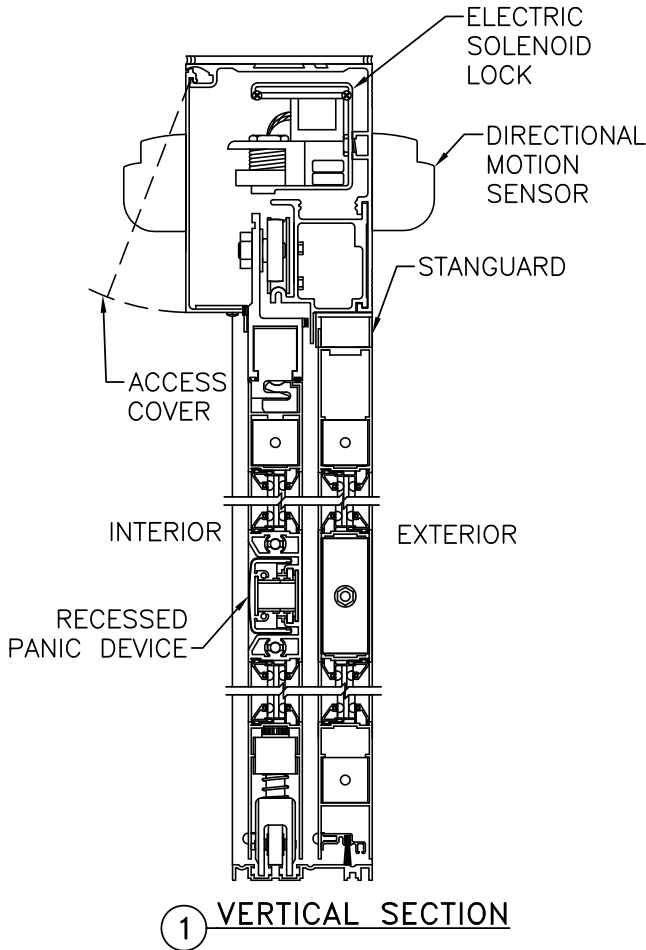


② HORIZONTAL SECTION



② HORIZONTAL SECTION

**DURA-GLIDE
3000
SERIES**



NOTES

1. STANDARD ACCESS CONTROL SYSTEM INCLUDES ELECTRIC SOLENOID LOCK AND PANIC DEVICE; ELECTRIC SOLENOID LOCK MAY BE USED "STAND ALONE" WITHOUT PANIC DEVICE. CONSULT MANUFACTURER FOR SUGGESTED SUPPLEMENTAL LOCKING.
2. HORIZONTAL SECTIONS SHOW SINGLE SLIDE ONLY; BI-PART SYSTEMS UTILIZE SAME COMPONENTS IN TWO SLIDING PANELS.
2. ELECTRIC SOLENOID LOCK MAY BE FAIL SAFE OR FAIL SECURE.
3. SEE SPECIFICATIONS FOR ADDITIONAL INFORMATION.

