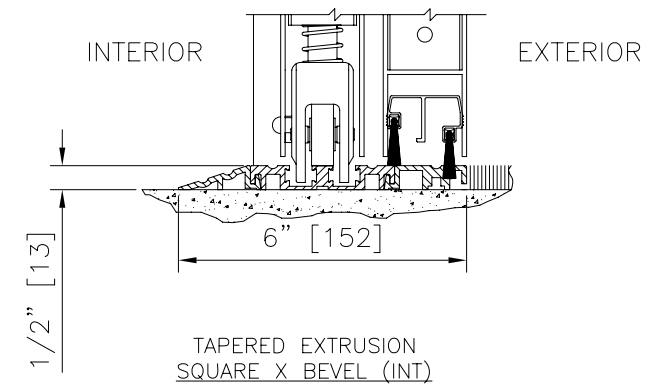
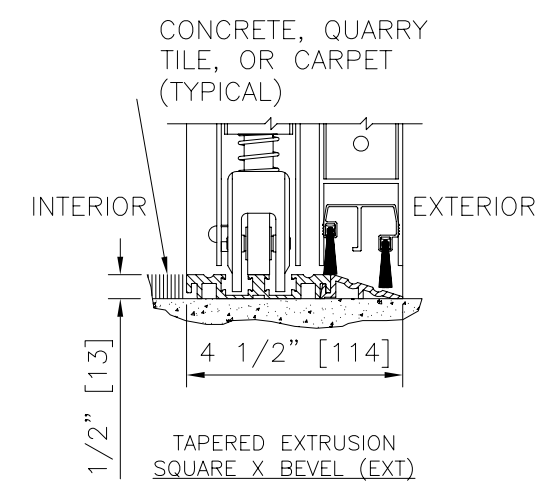
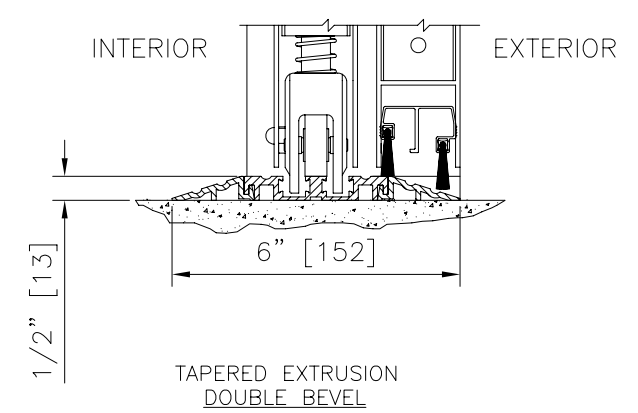
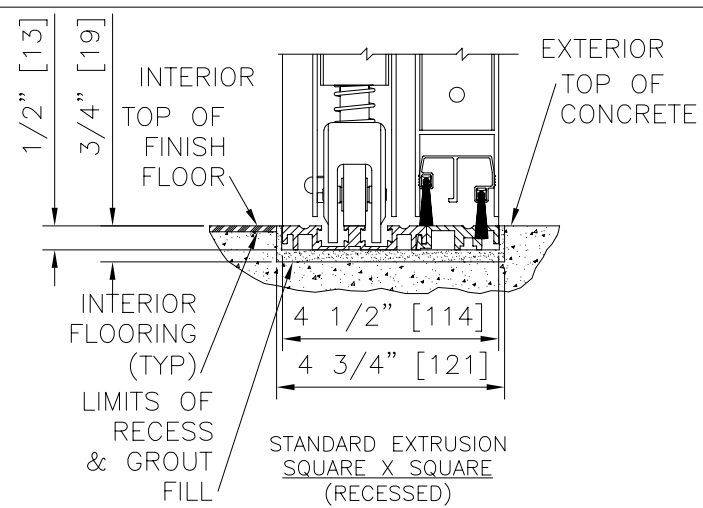
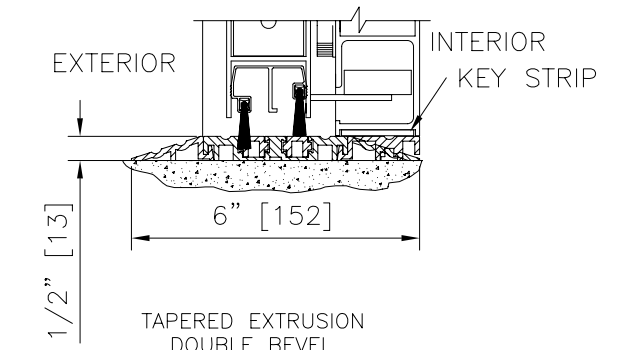
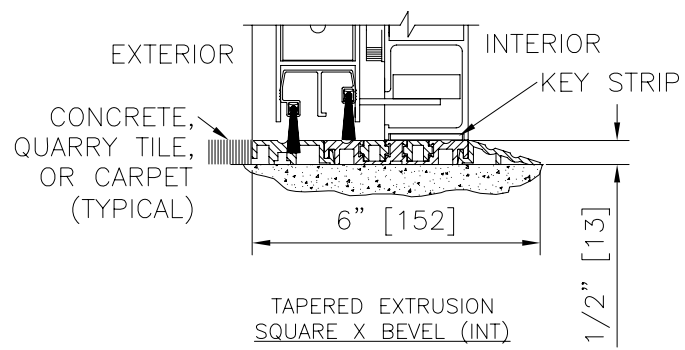
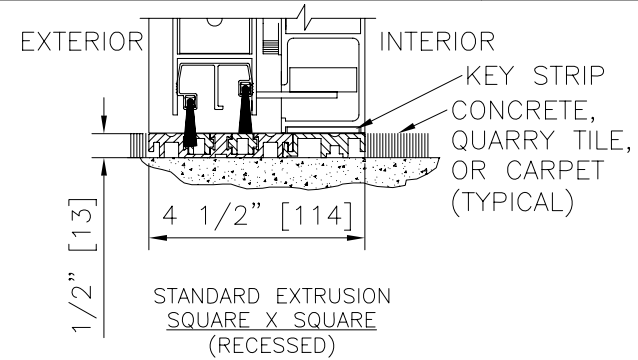
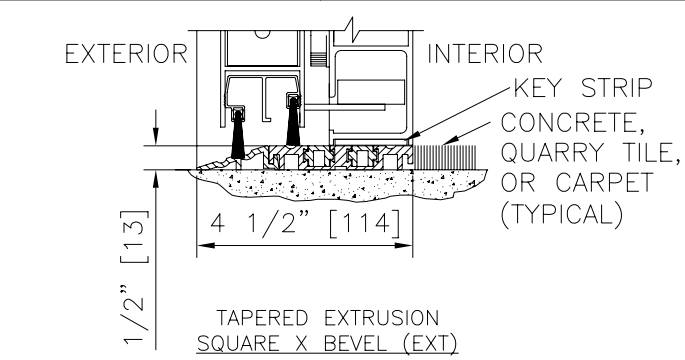




DURA-GLIDE 2000/3000 SERIES

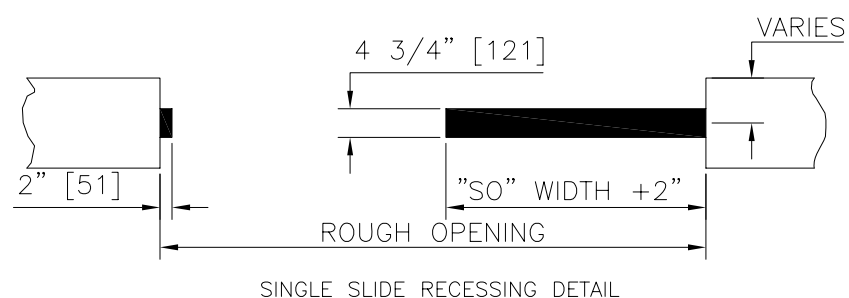
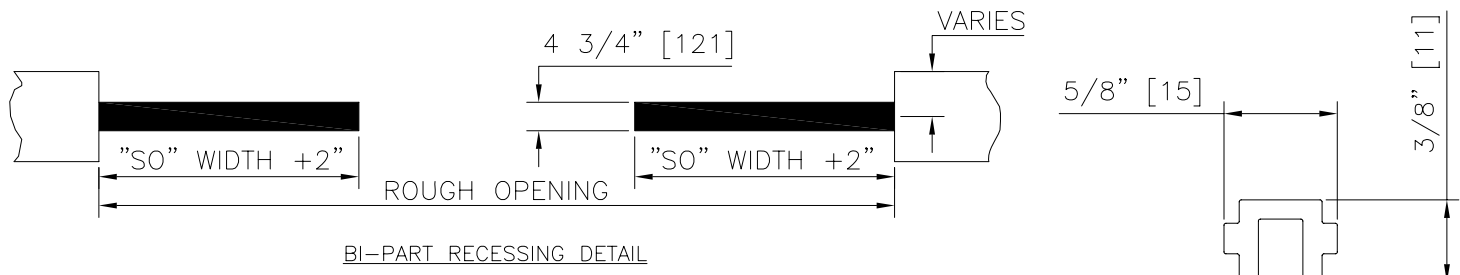
THRESHOLD OPTIONS	
PROJECT INFORMATION	
PROJECT NAME:	
LOCATION:	
DOOR NUMBER(S):	
DATE:	SHEET: OF



DURA-GLIDE 2000 SERIES 4 1/2" FRAME

SCALE: 3" = 1'-0"

NOTE: THRESHOLDS ARE NOT REQUIRED ON THE 2000 SERIES, HOWEVER, DUE TO VARIOUS FLOORING CONDITIONS THE THRESHOLDS SHOWN ARE AVAILABLE.



PLAN VIEW

SCALE: 3/8" = 1'-0"

NOTE: RECESSING MAY BE CONTINUOUS

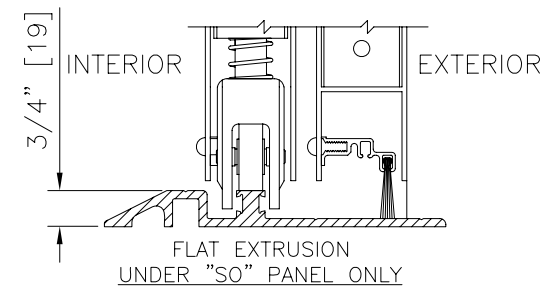
- NOTES:**
1. RECESS SHALL BE 3/4" IN DEPTH BY 4 3/4" WIDE AND SHALL EXTEND FULL WIDTH OF ROUGH OPENING FOR CONTINUOUS THRESHOLDS OR UNDER "SO" PANELS ONLY FOR SEAMLESS FLOOR CONDITION AT DOOR OPENING.
 2. FOR CONTINUOUS OPTION, THRESHOLD SHALL BE SPLIT AS REQUIRED TO FACILITATE MAINTENANCE OF THRESHOLD SECTION AT DOOR OPENING.
 3. FILLER STRIP IS REQUIRED TO FILL SLOTS IN CONTINUOUS THRESHOLD THROUGHOUT DOOR OPENING.

DURA-GLIDE 2000/3000 SERIES RECESSING DETAIL

SCALE: AS NOTED

DURA-GLIDE 3000 SERIES 4 1/2" FRAME

SCALE: 3" = 1'-0"



THRESHOLD OPTIONS	
DURA-GLIDE 2000/3000 SERIES	STANLEY Security ACCESS TECHNOLOGIES

**DURA-GLIDE
2000
SERIES**

2000 THRESHOLD OPTIONS

PROJECT INFORMATION

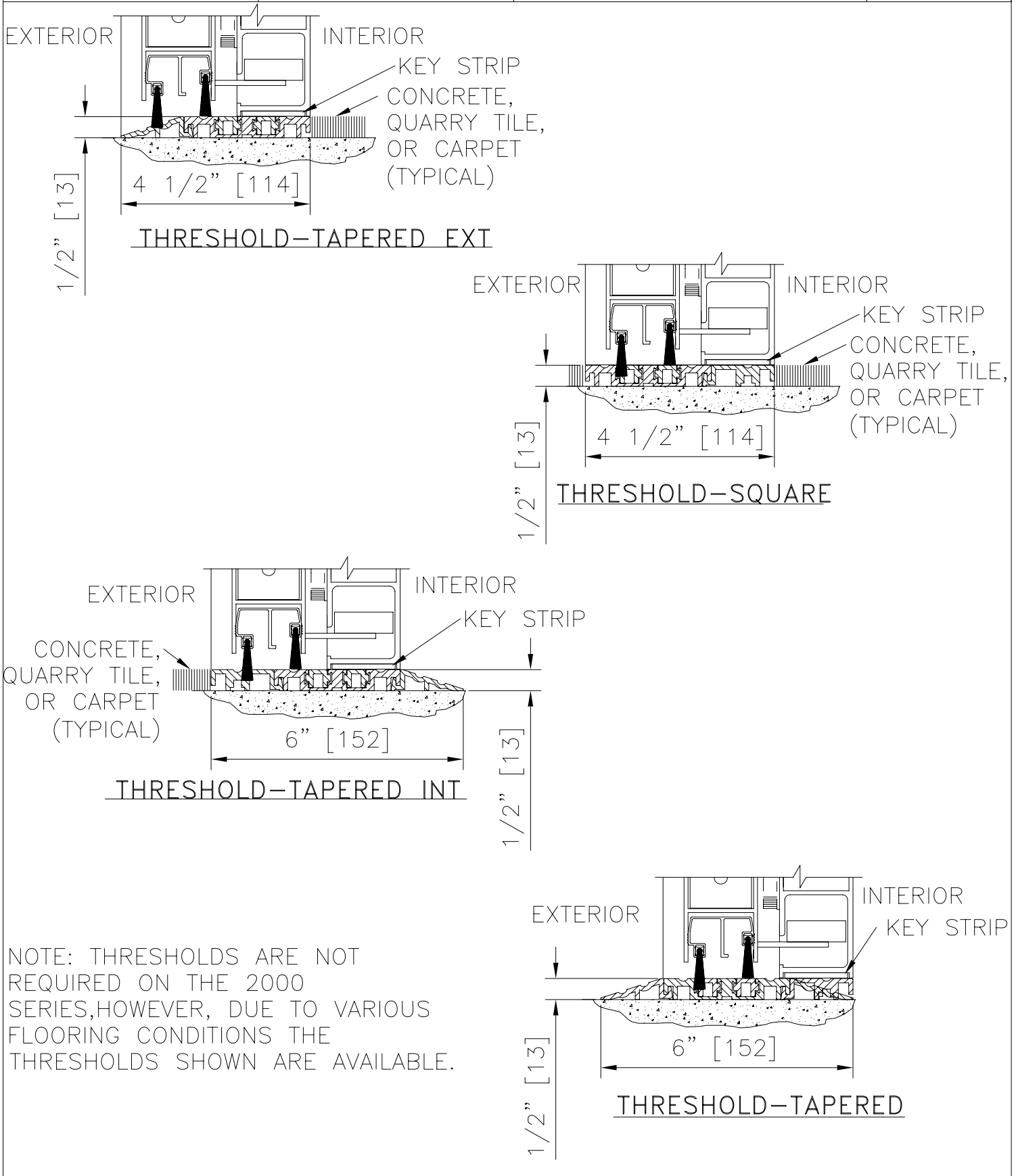
PROJECT NAME:

LOCATION:

DOOR NUMBER(S):

DATE:

SHEET: OF



NOTE: THRESHOLDS ARE NOT REQUIRED ON THE 2000 SERIES, HOWEVER, DUE TO VARIOUS FLOORING CONDITIONS THE THRESHOLDS SHOWN ARE AVAILABLE.

**DURA-GLIDE
3000
SERIES**

3000 THRESHOLD OPTIONS, SURFACE

PROJECT INFORMATION

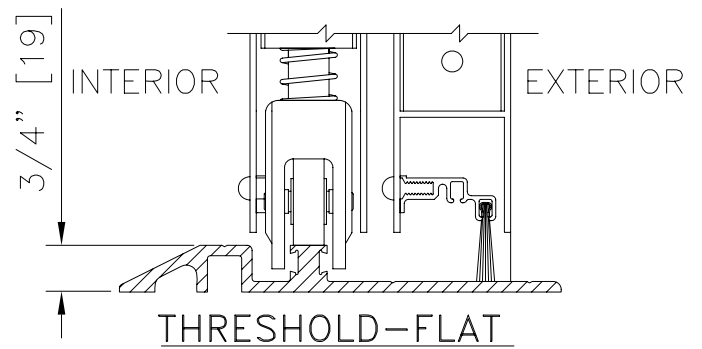
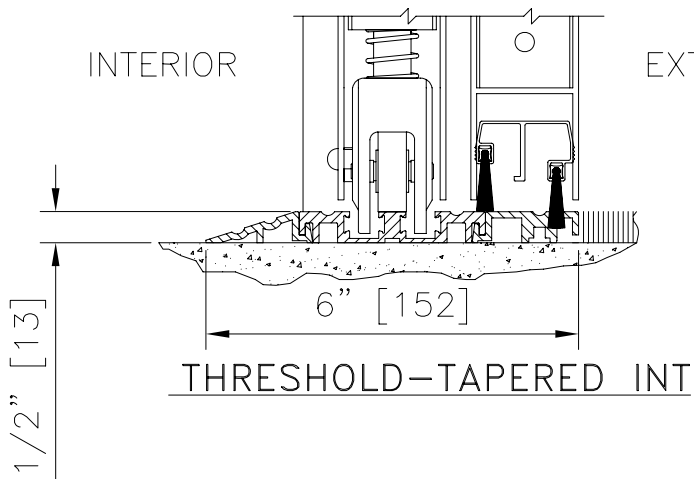
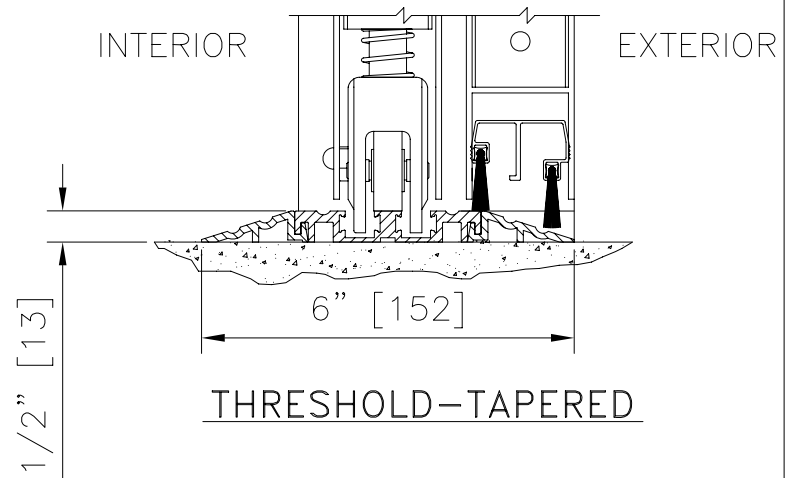
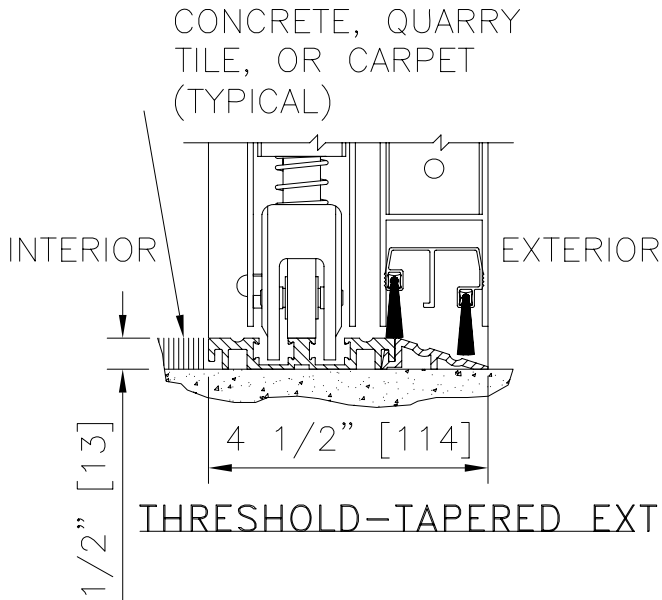
PROJECT NAME:

LOCATION:

DOOR NUMBER(S):

DATE:

SHEET: OF



NOTE: THRESHOLDS ARE NOT REQUIRED ON THE 2000 SERIES, HOWEVER, DUE TO VARIOUS FLOORING CONDITIONS THE THRESHOLDS SHOWN ARE AVAILABLE.

**DURA-GLIDE
3000
SERIES**

3000 THRESHOLD OPTIONS, RECESSED

PROJECT INFORMATION

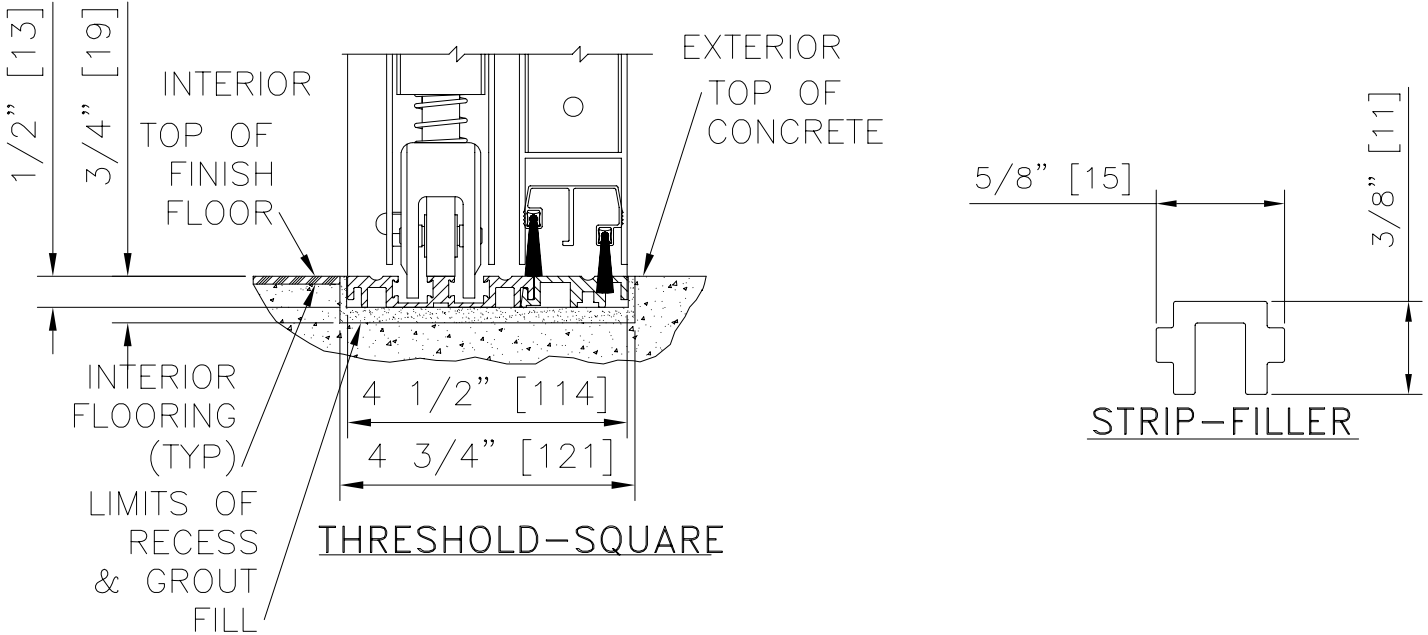
PROJECT NAME:

LOCATION:

DOOR NUMBER(S):

DATE:

SHEET: OF



NOTES:

1. RECESS SHALL BE 3/4" IN DEPTH BY 4 3/4" WIDE AND SHALL EXTEND FULL WIDTH OF ROUGH OPENING FOR CONTINUOUS THRESHOLDS OR UNDER "SO" PANELS ONLY FOR SEAMLESS FLOOR CONDITION AT DOOR OPENING.

2. FOR CONTINUOUS OPTION, THRESHOLD SHALL BE SPLIT AS REQUIRED TO FACILITATE MAINTENANCE OF THRESHOLD SECTION AT DOOR OPENING.

3. FILLER STRIP IS REQUIRED TO FILL SLOTS IN CONTINUOUS THRESHOLD THROUGHOUT DOOR OPENING.

