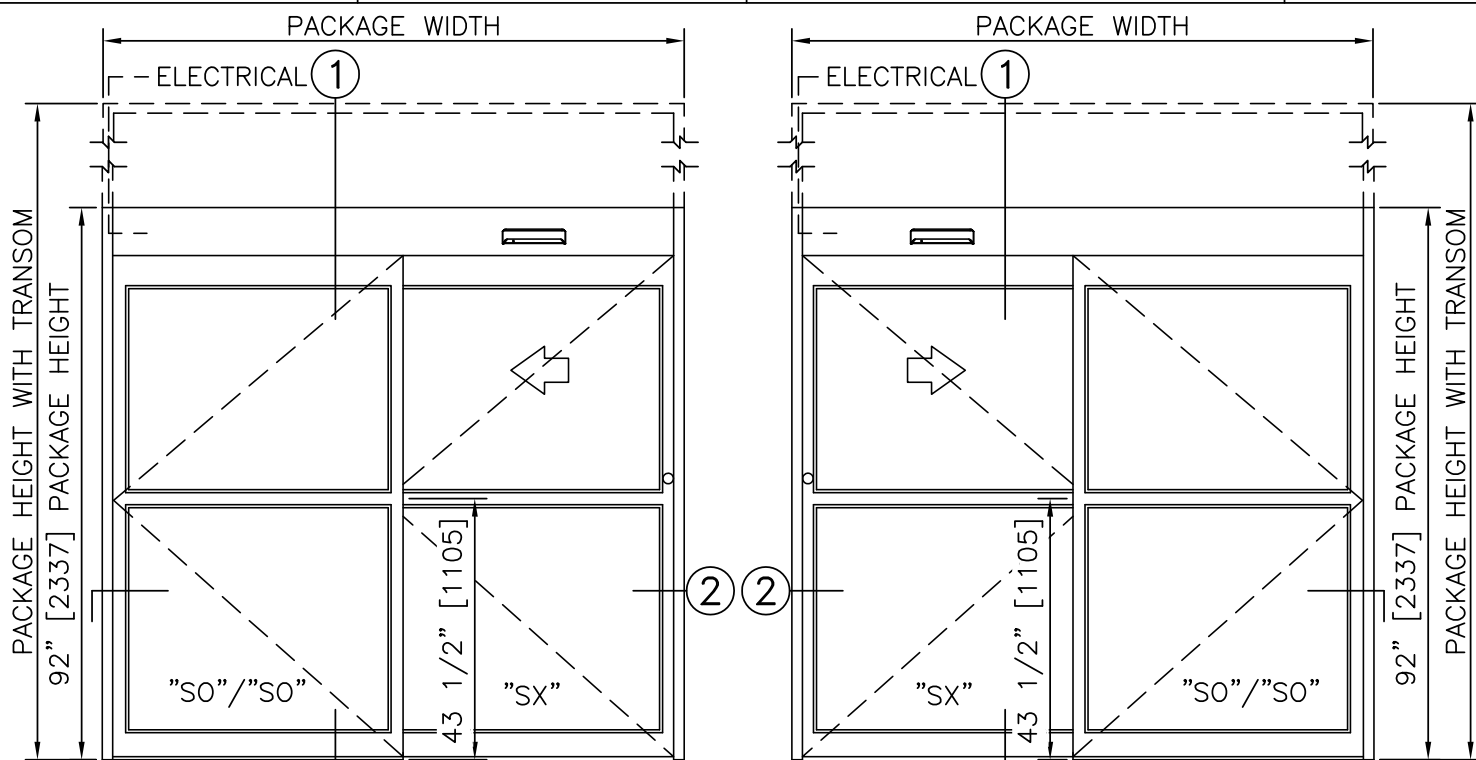


STANLEY
Access Technologies

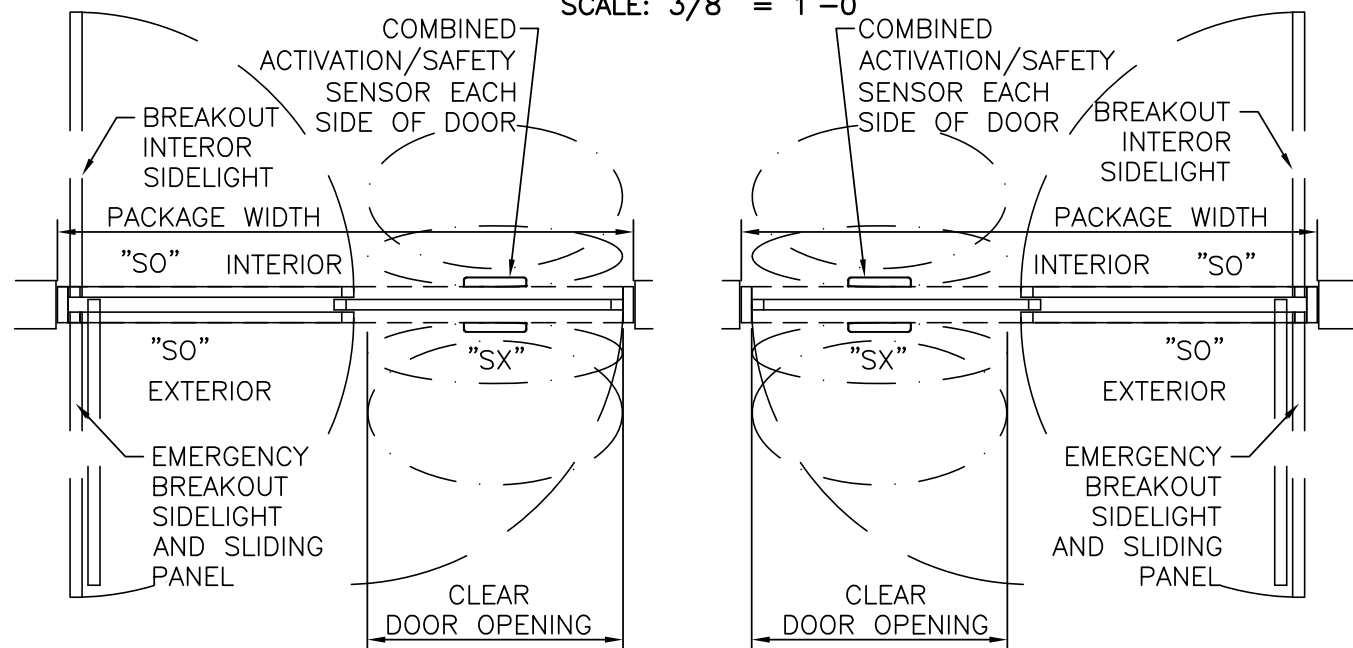
DURA-GLIDE
3000
SERIES

SINGLE SLIDE, INTERIOR SIDELIGHT, WITH OPTIONAL TRANSOM	
PROJECT INFORMATION	
PROJECT NAME:	
LOCATION:	
DOOR NUMBER(S):	
DATE:	SHEET: OF



LEFT HAND SLIDE ELEVATION VIEW RIGHT HAND SLIDE

SCALE: 3/8" = 1'-0"

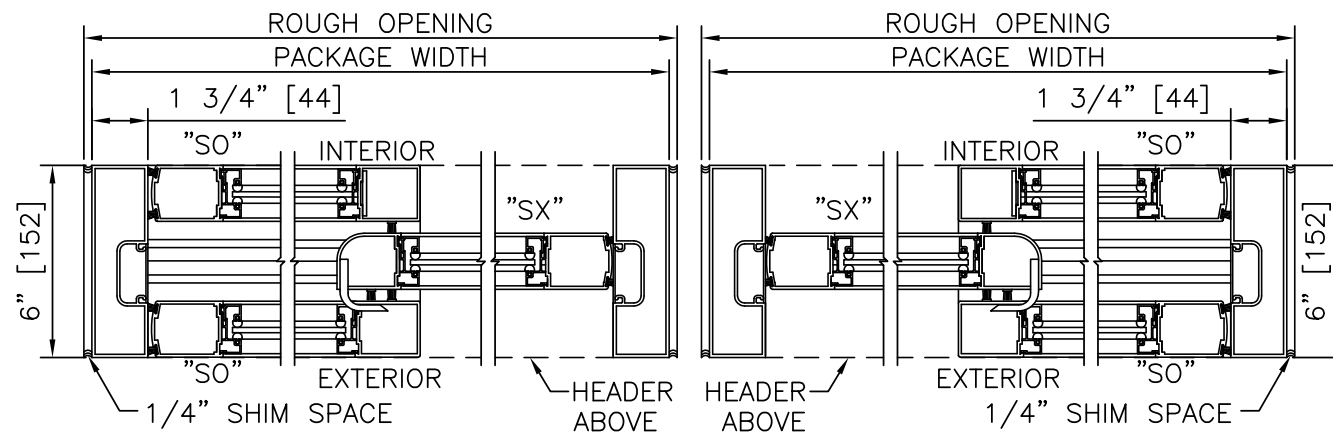


LEFT HAND SLIDE PLAN VIEW RIGHT HAND SLIDE

SCALE: 3/8" = 1'-0"

NOTES

- ELECTRICAL REQUIREMENTS: 120 VAC, 5 AMP MIN TO POWER OPERATOR BY ELECTRICAL CONTRACTOR.
- ROUGH OPENING SHALL PROVIDE 1/4"[6] SHIM SPACE ON SIDES AND TOP OF PACKAGE.
- LIMITS OF ACTIVATION AND SAFETY ZONES ARE FOR REFERENCE ONLY; SEE ANSI/BHMA A156.10 FOR DETAILED REQUIREMENTS.
- STANDARD LOCKING IS 1-POINT, 2-POINT, 3-POINT AND ACCESS CONTROL SYSTEMS AVAILABLE.
- STANDARD GLAZING STOPS FOR ALL PANELS ARE 1/4"[6]; 5/8"[16] AND 1"[25] AVAILABLE.
- STANDARD STILES, BOTTOM RAILS AND MUNTINS SHOWN; MEDIUM STILES, BOTTOM RAILS TO 12"[305], AND 4 1/4"[108] MUNTINS AVAILABLE.
- SEE SPECIFICATIONS FOR ADDITIONAL INFORMATION.

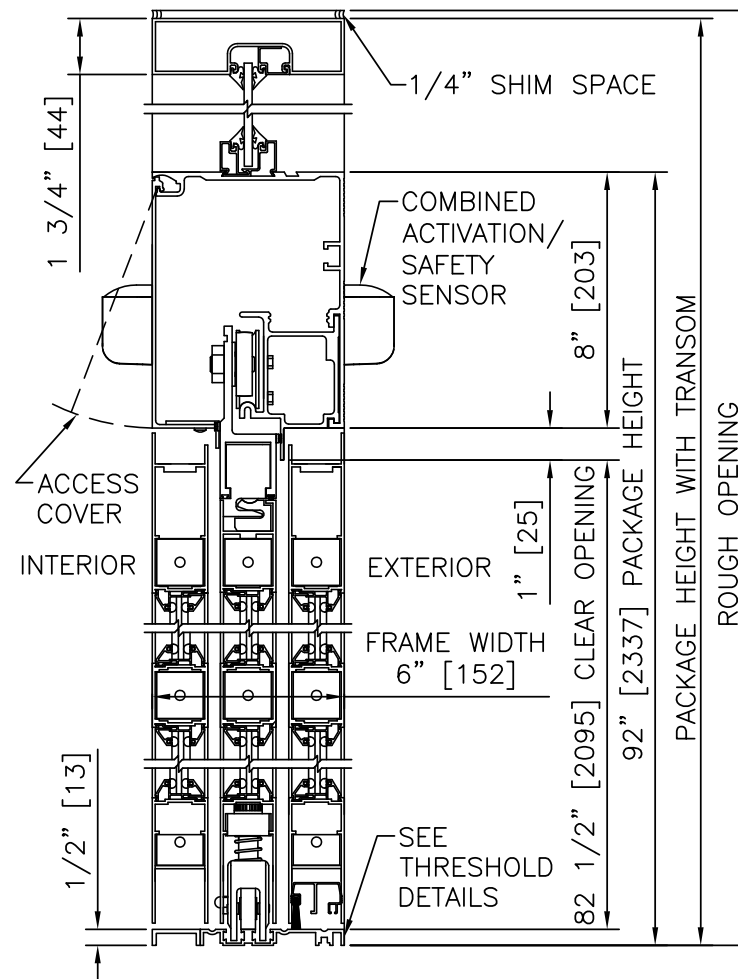


LEFT HAND HORIZONTAL SECTION RIGHT HAND

SCALE: 2" = 1'-0"

PRODUCT OPTIONS

- TRANSOM
 - YES
 - VERTICALS 1 2 3
- FINISH
 - ANODIZED CLEAR CL2
 - ANODIZED DK BRONZE
 - CUSTOM
- LOCKING
 - 1-POINT
 - 2-POINT
 - ACCESS CONTROL (PANIC)
 - 3-POINT
- STILES
 - NARROW
 - MEDIUM
- BOTTOM RAILS
 - STANDARD 4"
 - OPTIONAL 6" 8" 10" 12"
- THRESHOLDS
 - DBL BVL
 - RECESSED
- ACTIVATION/SAFETY
 - 2 COMBINED ACTIVATION/SAFETY SENSORS
- OTHER OPTIONS
 - ROTARY CTRL SWITCH
 - KEYED
 - UNINTERRUPTIBLE POWER SUPPLY
 - FLY OPEN BOX
 - WIND DAMPERS
 - PANEL CLOSERS
 - ALARM CONTACTS



VERTICAL SECTION

SCALE: 2" = 1'-0"

SINGLE SLIDE FORMULAS - NARROW STILE
 PACKAGE WIDTH = 2 X CLEAR DOOR OPENING + 13.4"
 CLEAR DOOR OPENING = 1/2 PACKAGE WIDTH - 6.7"
 BREAKOUT WIDTH = PACKAGE WIDTH - 9.0"
 DOOR PANEL WIDTH = 1/2 PACKAGE WIDTH - 0.5"

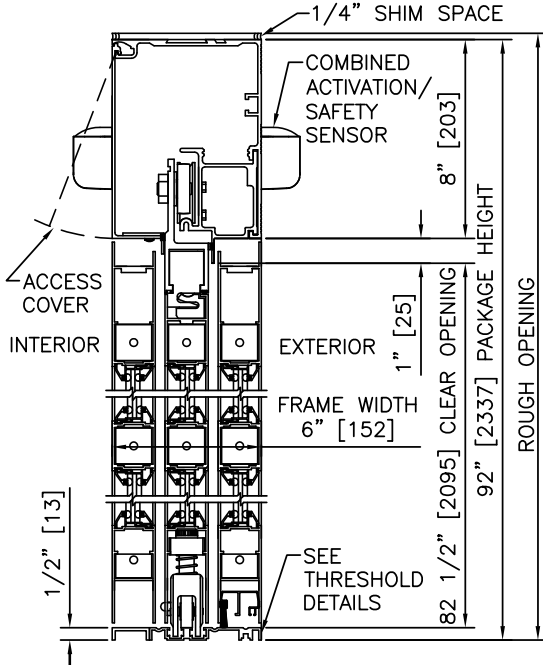
SINGLE SLIDE FORMULAS - MEDIUM STILE
 PACKAGE WIDTH = 2 X CLEAR DOOR OPENING + 17.8"
 CLEAR DOOR OPENING = 1/2 PACKAGE WIDTH - 8.9"
 BREAKOUT WIDTH = PACKAGE WIDTH - 10.5"
 DOOR PANEL WIDTH = 1/2 PACKAGE WIDTH + 0.2"

TYPICAL PACKAGE DIMENSIONS (NARROW STILE)			
PACKAGE WIDTH	NOMINAL CLEAR DOOR OPENING	DOOR PANEL NOMINAL WIDTH	BREAKOUT NOM. WIDTH
84"	35.3"	41.5"	75.0"
96"	41.3"	47.5"	87.0"
108"	47.3"	53.5"	99.0"

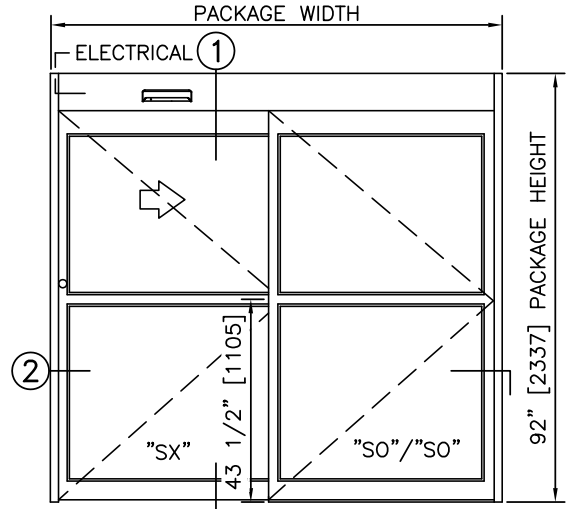
SINGLE SLIDE, INTERIOR SIDELIGHT, WITH OPTIONAL TRANSOM

DURA-GLIDE
3000
SERIES

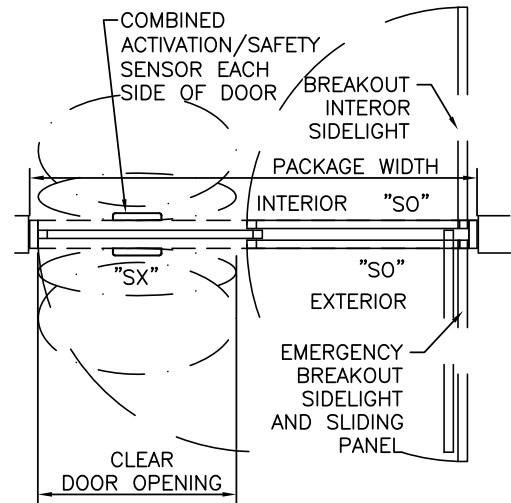
STANLEY
Access Technologies



① VERTICAL SECTION



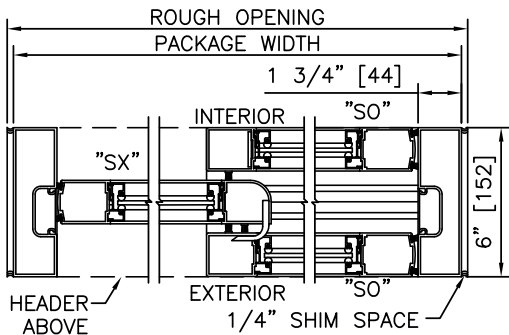
ELEVATION



PLAN

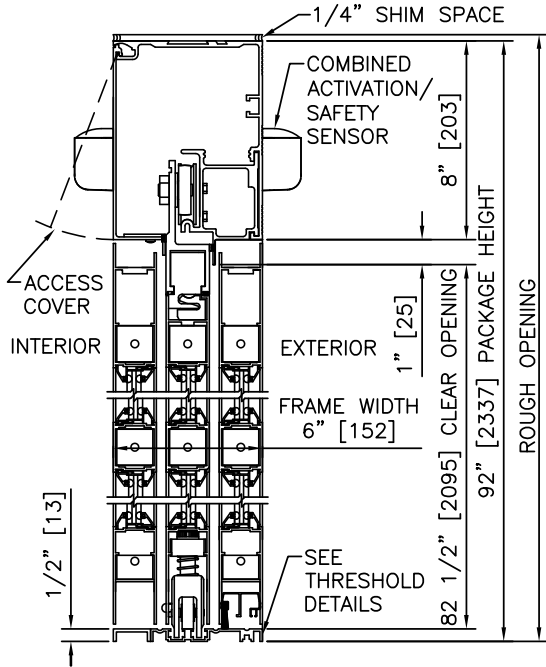
NOTES

1. ELECTRICAL REQUIREMENTS: 120 VAC, 5 AMP MIN TO POWER OPERATOR BY ELECTRICAL CONTRACTOR.
2. ROUGH OPENING SHALL PROVIDE 1/4"[6] SHIM SPACE ON SIDES AND TOP OF PACKAGE.
3. LIMITS OF ACTIVATION AND SAFETY ZONES ARE FOR REFERENCE ONLY; SEE ANSI/BHMA A156.10 FOR DETAILED REQUIREMENTS.
4. SEE SPECIFICATIONS FOR ADDITIONAL INFORMATION.

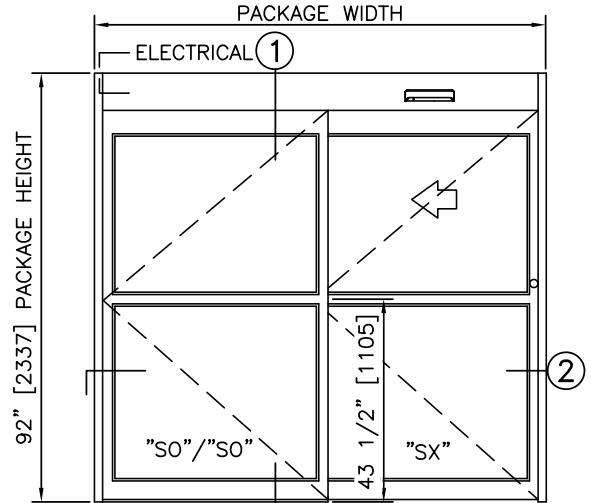


② HORIZONTAL SECTION

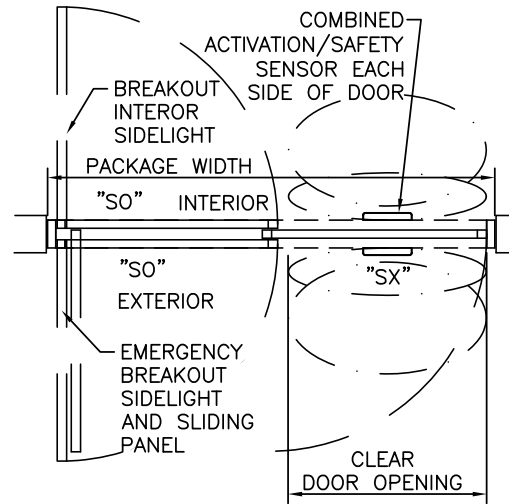
TYPICAL PACKAGE DIMENSIONS (NARROW STILE)			
PACKAGE WIDTH	NOMINAL CLEAR DOOR OPENING	DOOR PANEL NOMINAL WIDTH	BREAKOUT NOM. WIDTH
84"	35.3"	41.5"	75.0"
96"	41.3"	47.5"	87.0"
108"	47.3"	53.5"	99.0"



1 VERTICAL SECTION



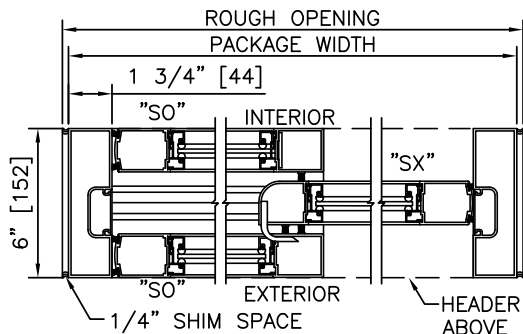
ELEVATION



PLAN

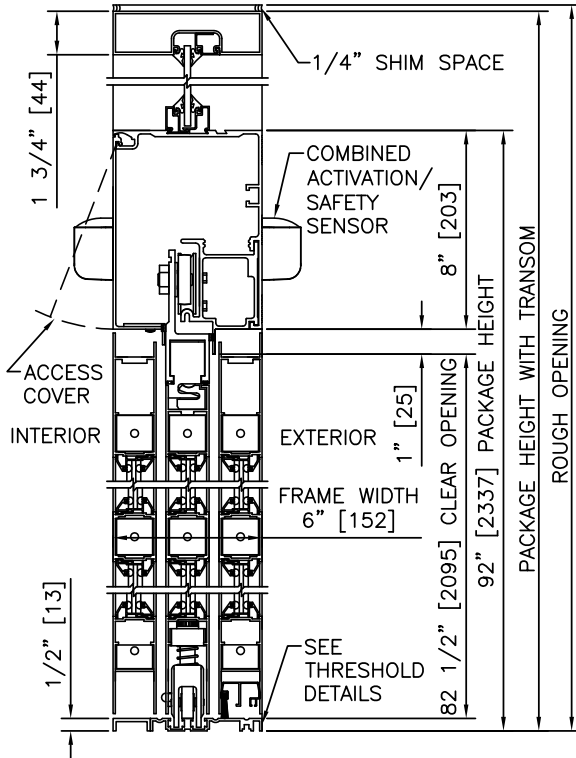
NOTES

1. ELECTRICAL REQUIREMENTS: 120 VAC, 5 AMP MIN TO POWER OPERATOR BY ELECTRICAL CONTRACTOR.
2. ROUGH OPENING SHALL PROVIDE 1/4\" [6] SHIM SPACE ON SIDES AND TOP OF PACKAGE.
3. LIMITS OF ACTIVATION AND SAFETY ZONES ARE FOR REFERENCE ONLY; SEE ANSI/BHMA A156.10 FOR DETAILED REQUIREMENTS.
4. SEE SPECIFICATIONS FOR ADDITIONAL INFORMATION.

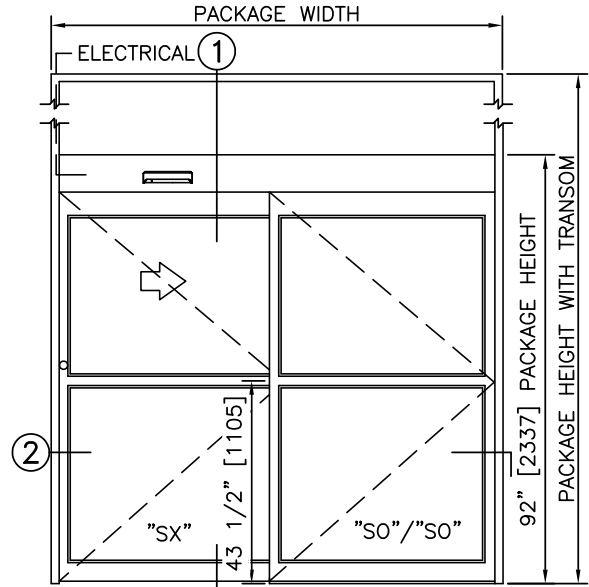


2 HORIZONTAL SECTION

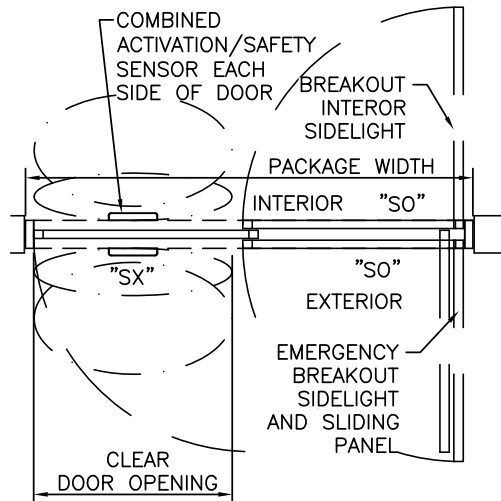
TYPICAL PACKAGE DIMENSIONS (NARROW STILE)			
PACKAGE WIDTH	NOMINAL CLEAR DOOR OPENING	DOOR PANEL NOMINAL WIDTH	BREAKOUT NOM. WIDTH
84"	35.3"	41.5"	75.0"
96"	41.3"	47.5"	87.0"
108"	47.3"	53.5"	99.0"



1 VERTICAL SECTION



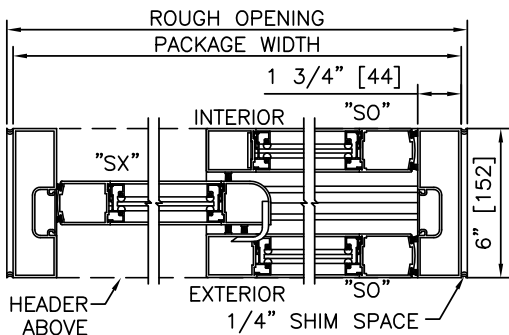
ELEVATION



PLAN

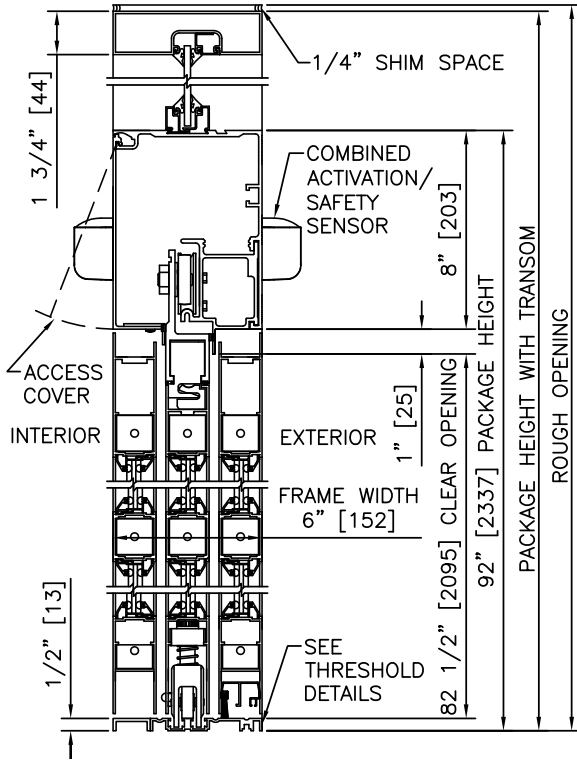
NOTES

1. ELECTRICAL REQUIREMENTS: 120 VAC, 5 AMP MIN TO POWER OPERATOR BY ELECTRICAL CONTRACTOR.
2. ROUGH OPENING SHALL PROVIDE 1/4"[6] SHIM SPACE ON SIDES AND TOP OF PACKAGE.
3. LIMITS OF ACTIVATION AND SAFETY ZONES ARE FOR REFERENCE ONLY; SEE ANSI/BHMA A156.10 FOR DETAILED REQUIREMENTS.
4. SEE SPECIFICATIONS FOR ADDITIONAL INFORMATION.

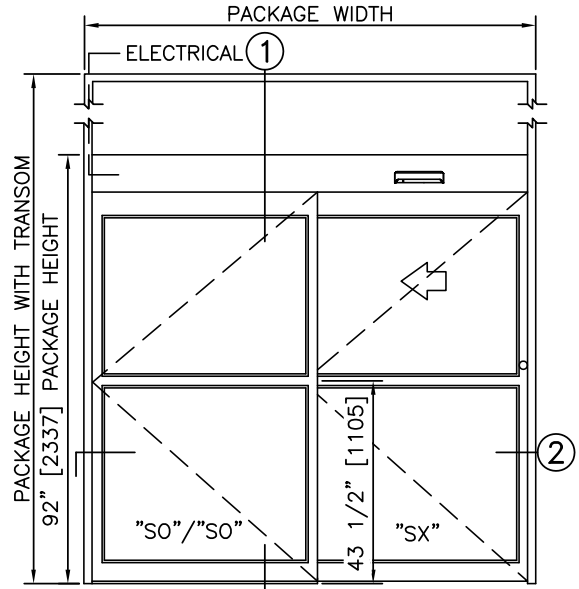


2 HORIZONTAL SECTION

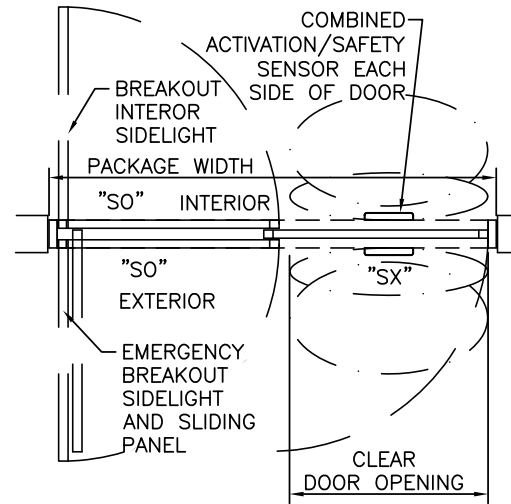
TYPICAL PACKAGE DIMENSIONS (NARROW STILE)			
PACKAGE WIDTH	NOMINAL CLEAR DOOR OPENING	DOOR PANEL NOMINAL WIDTH	BREAKOUT NOM. WIDTH
84"	35.3"	41.5"	75.0"
96"	41.3"	47.5"	87.0"
108"	47.3"	53.5"	99.0"



1 VERTICAL SECTION



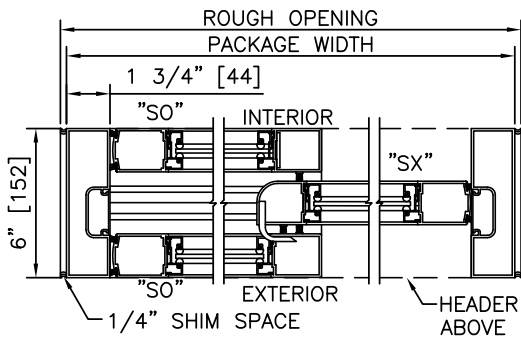
ELEVATION



PLAN

NOTES

1. ELECTRICAL REQUIREMENTS: 120 VAC, 5 AMP MIN TO POWER OPERATOR BY ELECTRICAL CONTRACTOR.
2. ROUGH OPENING SHALL PROVIDE 1/4"[6] SHIM SPACE ON SIDES AND TOP OF PACKAGE.
3. LIMITS OF ACTIVATION AND SAFETY ZONES ARE FOR REFERENCE ONLY; SEE ANSI/BHMA A156.10 FOR DETAILED REQUIREMENTS.
4. SEE SPECIFICATIONS FOR ADDITIONAL INFORMATION.

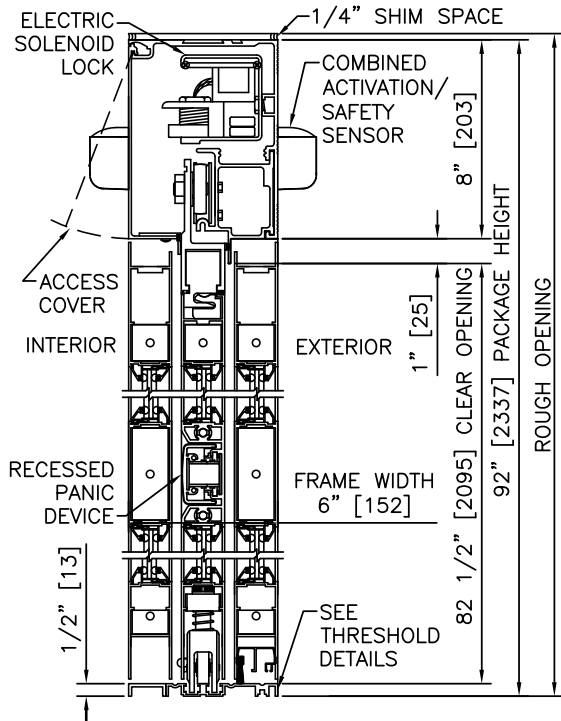


2 HORIZONTAL SECTION

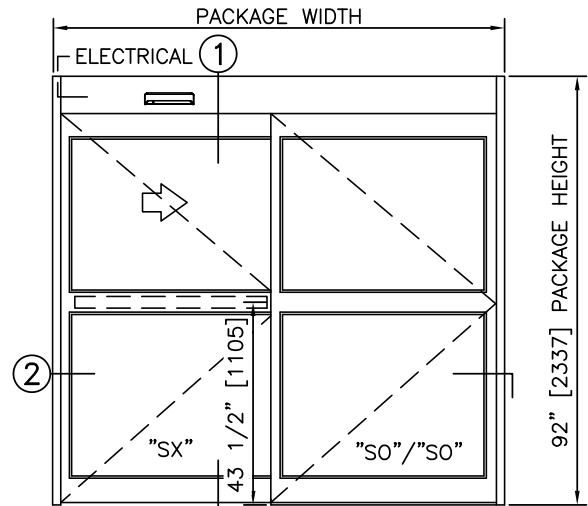
TYPICAL PACKAGE DIMENSIONS (NARROW STILE)			
PACKAGE WIDTH	NOMINAL CLEAR DOOR OPENING	DOOR PANEL NOMINAL WIDTH	BREAKOUT NOM. WIDTH
84"	35.3"	41.5"	75.0"
96"	41.3"	47.5"	87.0"
108"	47.3"	53.5"	99.0"

**DURA-GLIDE
3000
SERIES**

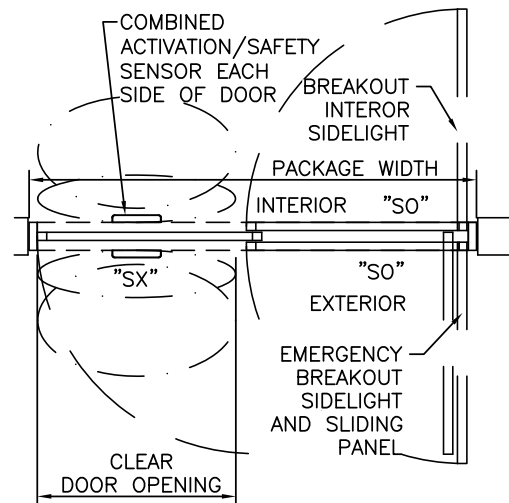
SINGLE SLIDE, INTERIOR SIDELIGHT, RIGHT HAND WITH ACCESS CONTROL, RECESSED	
PROJECT INFORMATION	
PROJECT NAME:	
LOCATION:	
DOOR NUMBER(S):	
DATE:	SHEET: OF



1 VERTICAL SECTION



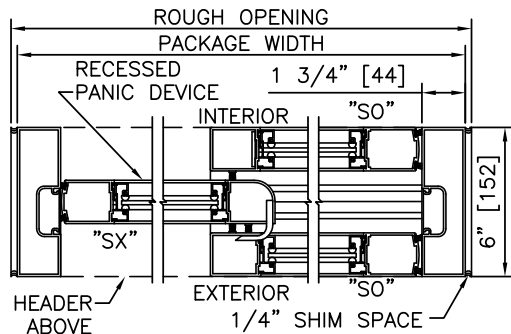
ELEVATION



PLAN

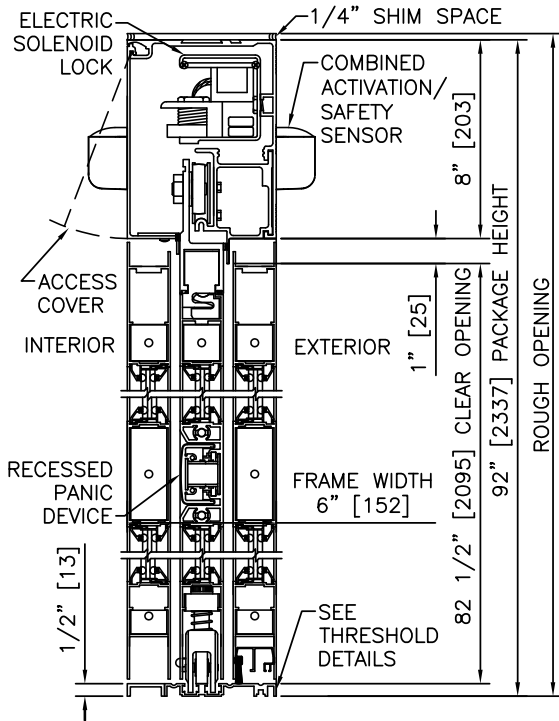
NOTES

1. ELECTRICAL REQUIREMENTS: BY ELECTRICAL CONTRACTOR
 - 1.1. 120 VAC, 5 AMP MIN TO POWER OPERATOR
 - 1.2. CONTROL CIRCUIT FROM SECURE ACTIVATION TO OPERATOR
2. ROUGH OPENING SHALL PROVIDE 1/4"[6] SHIM SPACE ON SIDES AND TOP OF PACKAGE.
3. LIMITS OF ACTIVATION AND SAFETY ZONES ARE FOR REFERENCE ONLY; SEE ANSI/BHMA A156.10 FOR DETAILED REQUIREMENTS.
4. SEE SPECIFICATIONS FOR ADDITIONAL INFORMATION.

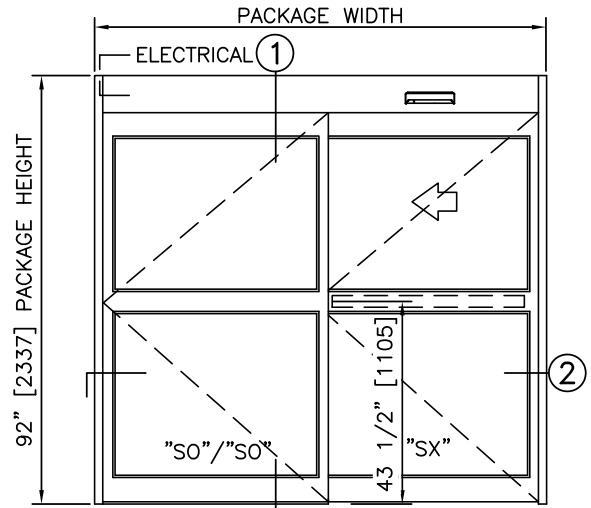


2 HORIZONTAL SECTION

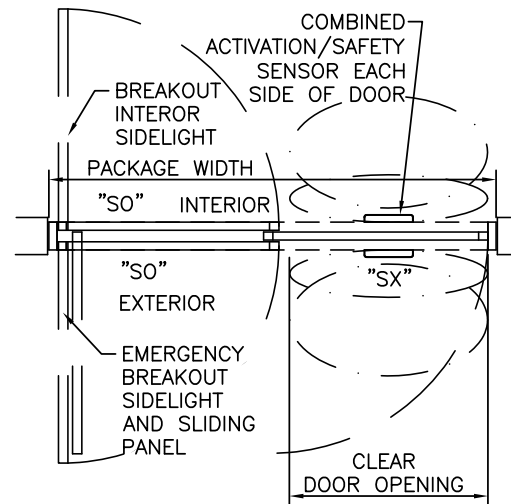
TYPICAL PACKAGE DIMENSIONS (NARROW STILE)			
PACKAGE WIDTH	NOMINAL CLEAR DOOR OPENING	DOOR PANEL NOMINAL WIDTH	BREAKOUT NOM. WIDTH
84"	35.3"	41.5"	75.0"
96"	41.3"	47.5"	87.0"
108"	47.3"	53.5"	99.0"



1 VERTICAL SECTION



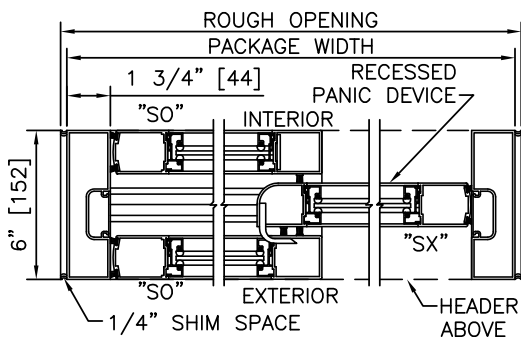
ELEVATION



PLAN

NOTES

1. ELECTRICAL REQUIREMENTS: BY ELECTRICAL CONTRACTOR
 - 1.1. 120 VAC, 5 AMP MIN TO POWER OPERATOR
 - 1.2. CONTROL CIRCUIT FROM SECURE ACTIVATION TO OPERATOR
2. ROUGH OPENING SHALL PROVIDE 1/4" [6] SHIM SPACE ON SIDES AND TOP OF PACKAGE.
3. LIMITS OF ACTIVATION AND SAFETY ZONES ARE FOR REFERENCE ONLY; SEE ANSI/BHMA A156.10 FOR DETAILED REQUIREMENTS.
4. SEE SPECIFICATIONS FOR ADDITIONAL INFORMATION.

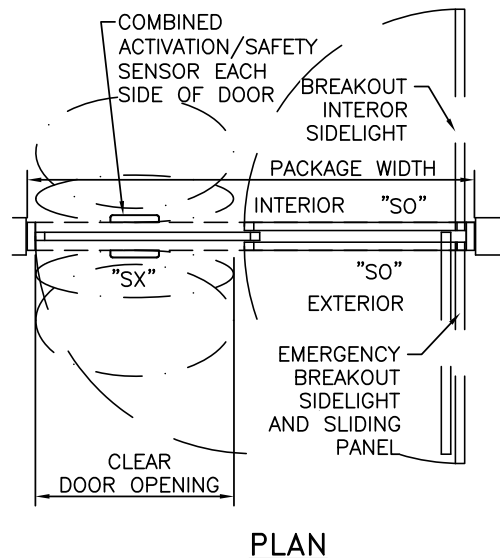
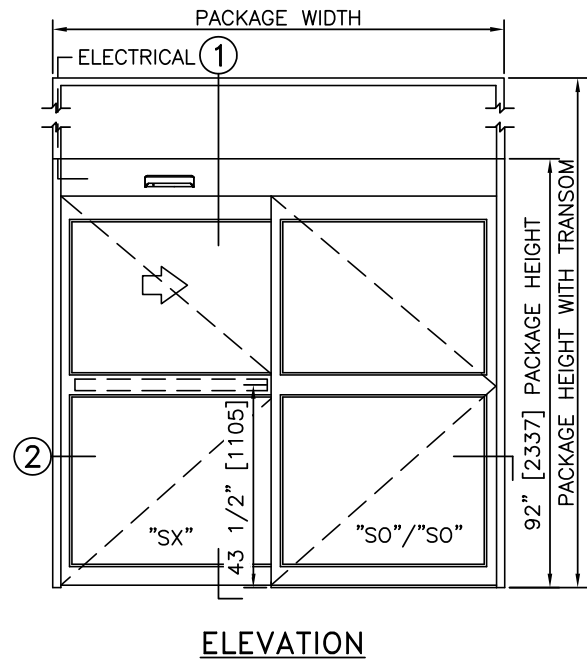
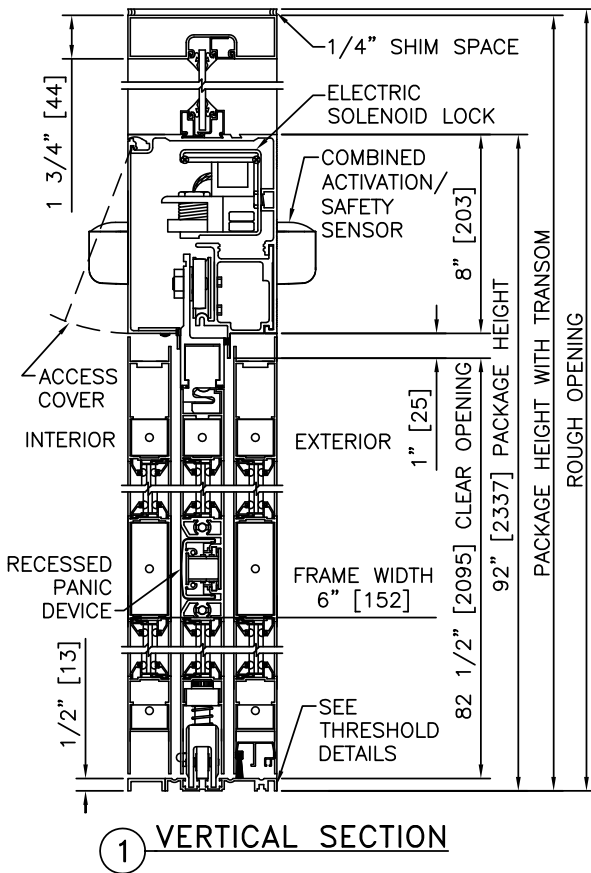


2 HORIZONTAL SECTION

TYPICAL PACKAGE DIMENSIONS (NARROW STILE)			
PACKAGE WIDTH	NOMINAL CLEAR DOOR OPENING	DOOR PANEL NOMINAL WIDTH	BREAKOUT NOM. WIDTH
84"	35.3"	41.5"	75.0"
96"	41.3"	47.5"	87.0"
108"	47.3"	53.5"	99.0"

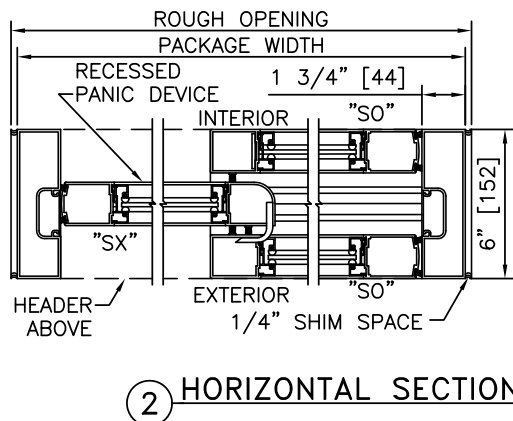
**DURA-GLIDE
3000
SERIES**

SINGLE SLIDE, INTERIOR SIDELIGHT, RH WITH TRANSOM & ACCESS CONTROL, RECESSED	
PROJECT INFORMATION	
PROJECT NAME:	
LOCATION:	
DOOR NUMBER(S):	
DATE:	SHEET: OF



NOTES

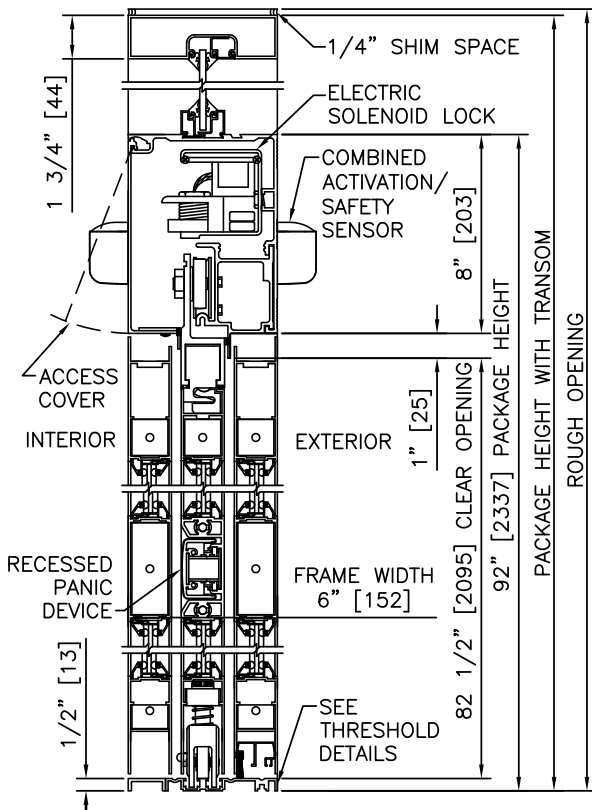
- ELECTRICAL REQUIREMENTS: BY ELECTRICAL CONTRACTOR
 - 120 VAC, 5 AMP MIN TO POWER OPERATOR
 - CONTROL CIRCUIT FROM SECURE ACTIVATION TO OPERATOR
- ROUGH OPENING SHALL PROVIDE 1/4"[6] SHIM SPACE ON SIDES AND TOP OF PACKAGE.
- LIMITS OF ACTIVATION AND SAFETY ZONES ARE FOR REFERENCE ONLY; SEE ANSI/BHMA A156.10 FOR DETAILED REQUIREMENTS.
- SEE SPECIFICATIONS FOR ADDITIONAL INFORMATION.



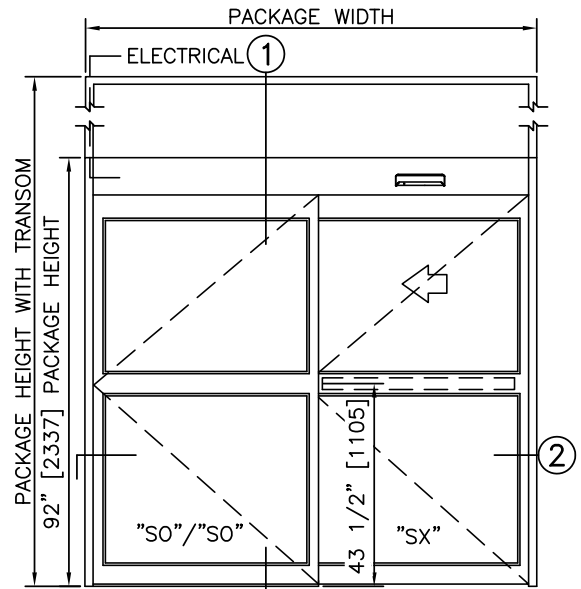
TYPICAL PACKAGE DIMENSIONS (NARROW STILE)			
PACKAGE WIDTH	NOMINAL CLEAR DOOR OPENING	DOOR PANEL NOMINAL WIDTH	BREAKOUT NOM. WIDTH
84"	35.3"	41.5"	75.0"
96"	41.3"	47.5"	87.0"
108"	47.3"	53.5"	99.0"

**DURA-GLIDE
3000
SERIES**

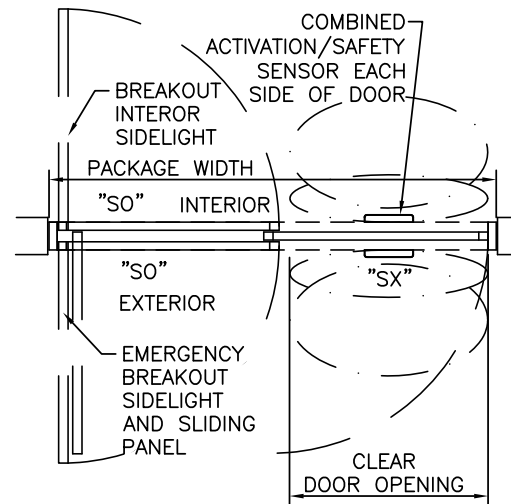
SINGLE SLIDE, INTERIOR SIDELIGHT, LH WITH TRANSOM & ACCESS CONTROL, RECESSED	
PROJECT INFORMATION	
PROJECT NAME:	
LOCATION:	
DOOR NUMBER(S):	
DATE:	SHEET: OF



① VERTICAL SECTION



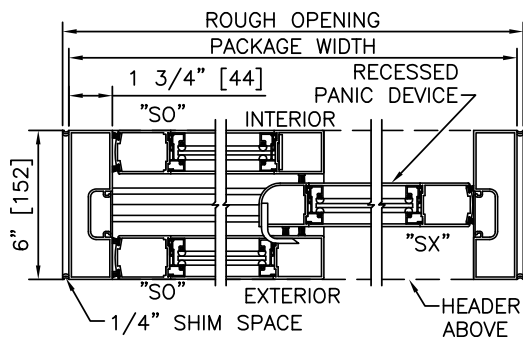
ELEVATION



PLAN

NOTES

- ELECTRICAL REQUIREMENTS: BY ELECTRICAL CONTRACTOR
 - 120 VAC, 5 AMP MIN TO POWER OPERATOR
 - CONTROL CIRCUIT FROM SECURE ACTIVATION TO OPERATOR
- ROUGH OPENING SHALL PROVIDE 1/4" [6] SHIM SPACE ON SIDES AND TOP OF PACKAGE.
- LIMITS OF ACTIVATION AND SAFETY ZONES ARE FOR REFERENCE ONLY; SEE ANSI/BHMA A156.10 FOR DETAILED REQUIREMENTS.
- SEE SPECIFICATIONS FOR ADDITIONAL INFORMATION.



② HORIZONTAL SECTION

TYPICAL PACKAGE DIMENSIONS (NARROW STILE)			
PACKAGE WIDTH	NOMINAL CLEAR DOOR OPENING	DOOR PANEL NOMINAL WIDTH	BREAKOUT NOM. WIDTH
84"	35.3"	41.5"	75.0"
96"	41.3"	47.5"	87.0"
108"	47.3"	53.5"	99.0"