

Stanley Access Technologies Delayed Egress (DE) Option for Dura-Glide™ Automatic Sliding Door Systems



Dura-Glide™ Automatic Sliding Door with Delayed Egress Functionality

Delayed Egress (DE) Option for Dura-Glide™ Automatic Sliding Door Systems provides a controlled egress for openings which require Panic or Fire Exit Hardware for safe egress. It is a self contained exit control system, which when armed will delay exit to unauthorized personnel for 15 or 30 second intervals, while simultaneously sounding an alarm. After the 15 (or 30) second delay of egress period the device will function as a standard exit device. This solution has been designed to aid in loss-prevention at retail locations by delaying egress for a set time period. The delayed egress functionality is seamlessly integrated into the door package and is transparent to customer use. Patent pending for delayed egress functionality for sliding doors.

Features

- Prevent Egress for 15 or 30 second intervals
- Durable magnetic locks provide protection for up to 1200 lbs of shear force.
- Recessed panic hardware easily identified with stickers for use.
- Key control switch provided to set to closed and locked position
- Nuisance delay time included for accidental pushing of panic bar
- Audible alarm >75 dBA
- Aid in loss-prevention or unauthorized exit in retail, office and health care locations

* *Installation requires local Fire Marshall approval*



MC-521 DE Controller

SECURITY



Stanley Access Technologies

65 Scott Swamp Road
Farmington, CT 06032
www.stanleyaccess.com

AT-2249 908

Stanley Access Technologies Delayed Egress (DE) Option for Dura-Glide™ Automatic Sliding Door Systems

Codes and Listings

- UL® 294 Security Listed
- NFPA 101 (Life Safety Code)

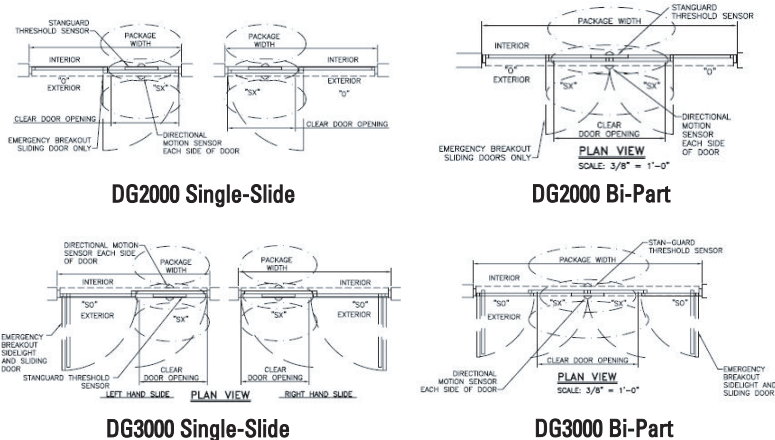
Delayed Egress for Dura-Glide™ Components

- Fail Secure Solenoid Lock
- Recessed panic push bar with switch – concealed within the 4 1/4" (108mm) horizontal muntin bar.
- MC-521 DE Controller
- Electromagnetic Shear locks
 - Holding force: 1200lbs (544kg) in shear
 - Current 190 mA at 24 VDC
- Audible alarm >75 dBA
- Key Control Switch
- Delayed Egress time settings: 15 seconds or 30 seconds (set by installation technician to comply with local code)
- Fire Alarm Input

Product Line Compatibility

- Dura-Glide™ 2000 Series Automatic Sliding Door Systems (Single Slide and Bi-Part)
- Dura-Glide™ 3000 Series Automatic Sliding Door Systems (Single Slide and Bi-Part)

* Not compatible with the following:
SX dampers, SX Door Closers, Recessed Panic Hardware, and Mechanical Access Control. Dura-Guard™ Series Automatic Door Systems, Dura-Storm™ Series Automatic Door Systems, Double Diamond Series Automatic Door Systems, Dura-Glide™ 2000 All-Glass Series Automatic Door Systems.



HEADER SIZE: 8" (203mm) high x 6" (152mm) deep
TYPICAL HEIGHT: 7'-8" (2.3m), clear door opening of 6'-11" (2.1m)
TYPICAL WIDTH: Single Slide: 7' to 9' (2.1m to 2.7m), clear door opening width of 35-1/2" to 47-1/2" (901mm to 1206mm). Bi-Part: 10' to 14' (3m to 4.2m), clear door opening width of 48" to 72" (1219mm to 1828mm)
TYPICAL DOOR PANEL WEIGHT: up to 220 pounds each (100kg)
DRIVE SYSTEM: 1/4 HP DC motor, gear drive, toothed belt
CONTROLLER: microprocessor based logic
SENSORS: 2 for motion (switchable between unidirectional and bi-directional) and 1 Stan-Guard® and doorway holding beam for safety. Stan-Vision™ Digital Video Cameras Optional, Mats, wallplates, radio control optional.
BREAKOUT: SX panel on The 2000, SX and SO panels on the 3000
POWER REQUIRED: 120 VAC, 5 amps min.
CODE COMPLIANCE: UL, cUL, ANSI A156.10, UBC, BOCA, ICBO, NFPA 101

Service & Installation

Rely on the Stanley expertise and experience gained from thousands and thousands of installations worldwide.

Stanley Access Technologies designs, manufacturers and markets automatic door systems worldwide. For more than 70 years, we have set the global standard for smooth, quiet operation, user safety, design flexibility, quality, reliability and ease of installation. Our service force is North America's largest and most comprehensive network devoted to the installation and maintenance of automatic door systems. This network combines the global resources of Stanley with the unmatched customer responsiveness of local organizations to ensure every door we sell and install provides our customers with worry-free operation.

For Service, Call Stanley Toll Free: 1-800-7-ACCESS (1-800-722-2377)