

SLIDING AUTO/MANUAL ENTRANCES: DURA-CARE™ 7500A SERIES, 3P TRACKLESS

3.25 - 3 PANEL, TRACKLESS, AUTOMATIC

- 3.25.01 - 3 PANEL, RH, TRACKLESS
- 3.25.02 - 3 PANEL, LH, TRACKLESS

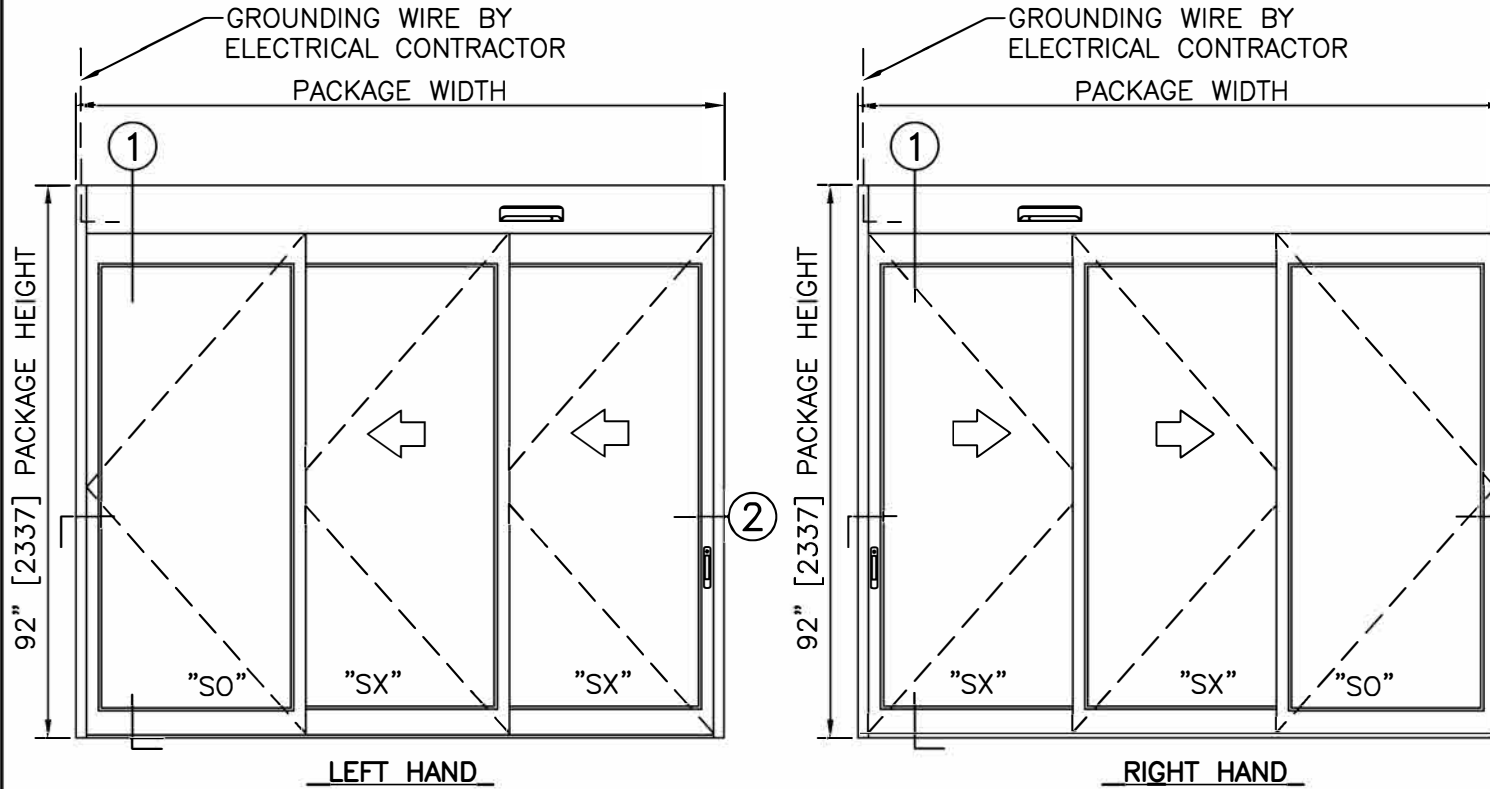
STANLEY
Access Technologies

DURA-CARE™
7500A TL-FBO
SERIES

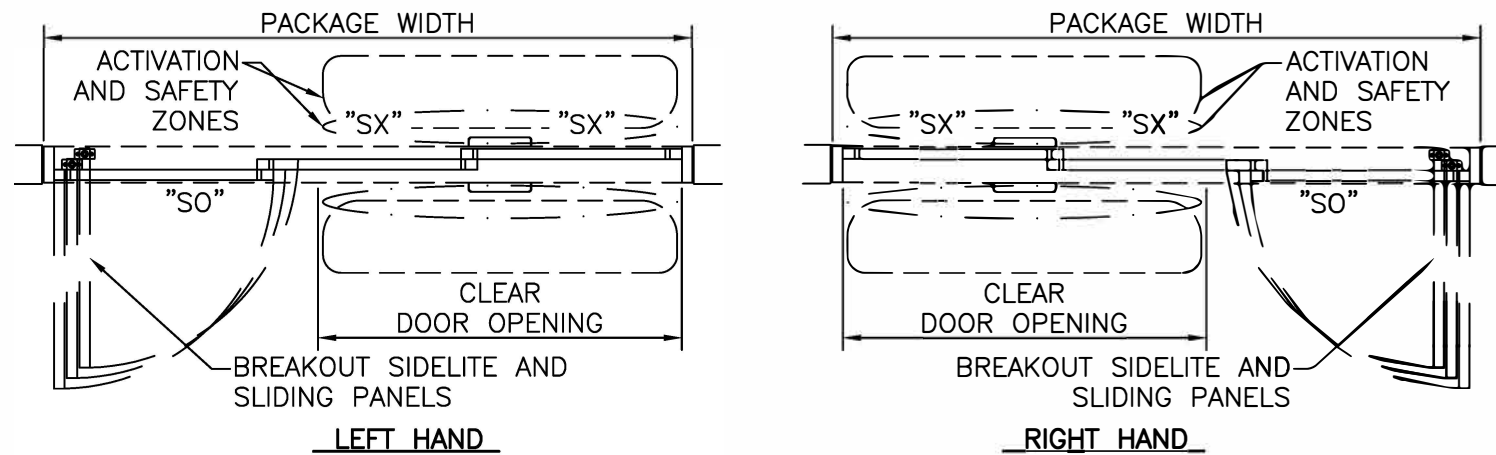
3-PANEL TELESCOPIC TRACKLESS, AUTOMATIC

PROJECT INFORMATION

PROJECT NAME:	
LOCATION:	
DOOR NUMBER(S):	
DATE:	SHEET: OF



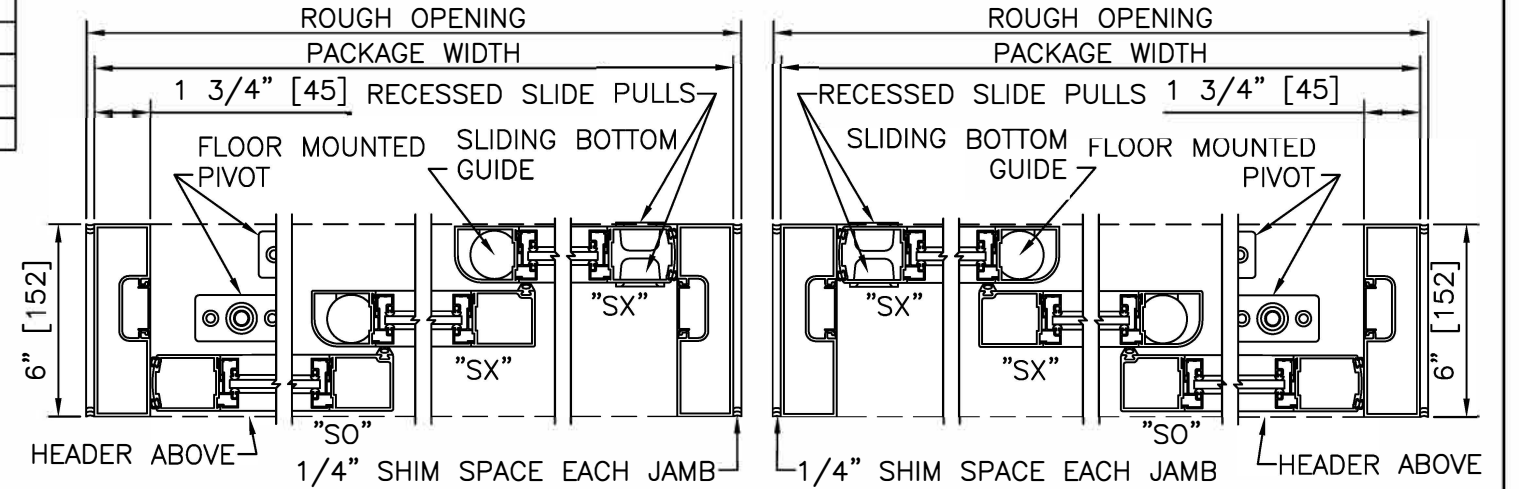
ELEVATION VIEW
SCALE: 3/8" = 1'-0"



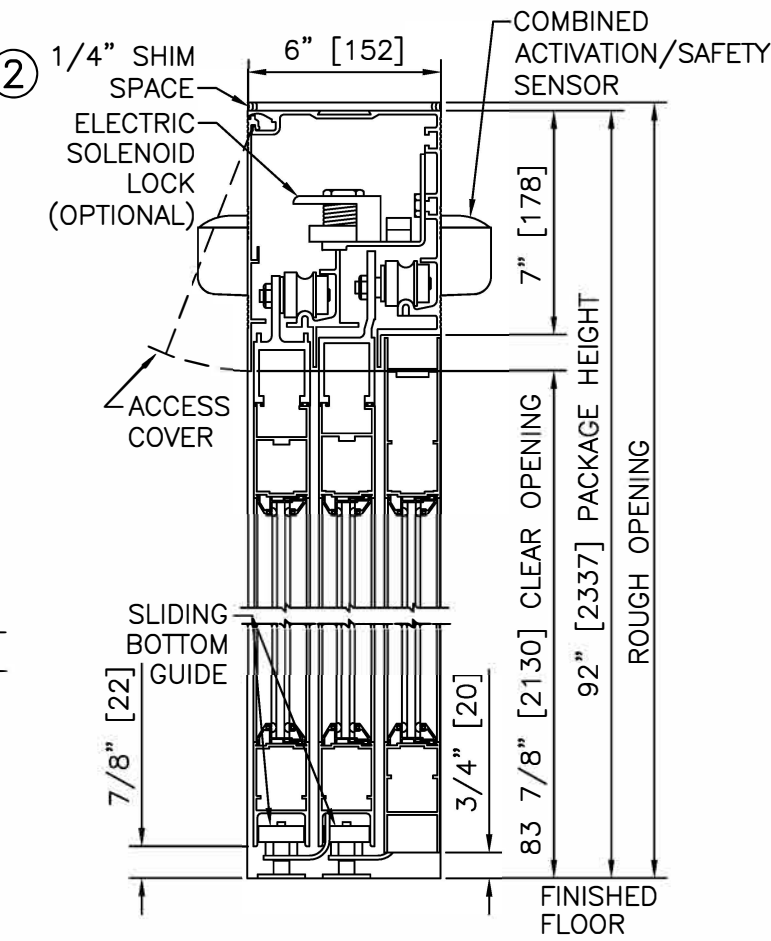
PLAN VIEW
SCALE: 3/8" = 1'-0"

NOTES

1. ELECTRICAL REQUIREMENTS: BY ELECTRICAL CONTRACTOR
120 VAC, 5 AMP MIN TO POWER OPERATOR.
CONTROL CIRCUIT FROM REMOTE ACTIVATION TO OPERATOR.
2. ROUGH OPENING SHALL PROVIDE 1/4"[6] SHIM SPACE ON SIDES AND TOP OF PACKAGE.
3. STANDARD PACKAGE INCLUDES ELECTRIC LATCHING.
4. STANDARD GLAZING STOPS FOR ALL PANELS ARE 1/4"[6]; 5/8"[16] AND 1"[25] AVAILABLE.
5. STANDARD STILES AND BOTTOM RAILS SHOWN; BOTTOM RAILS TO 8"[203], AND MUNTINS AVAILABLE.
6. SLIDING PANELS MUST BE DRIVEN TO FULL OPEN POSITION AND ENGAGE FLOOR MOUNTED HINGE PINS PRIOR TO PANEL BREAKOUT.
7. LIMITS OF ACTIVATION AND SAFETY ZONES ARE FOR REFERENCE ONLY.
8. SEE SPECIFICATIONS FOR ADDITIONAL INFORMATION.



HORIZONTAL SECTION
SCALE: 2" = 1'-0"



VERTICAL SECTION
SCALE: 2" = 1'-0"

PRODUCT OPTIONS

- FINISH**
- ANODIZED CLEAR CL2
 - ANODIZED DK BRONZE
 - CUSTOM
- LATCHING**
- ELECTRIC SOLENOID LOCK
- STILES**
- NARROW
- BOTTOM RAILS**
- STANDARD 4"
 - OPTIONAL 6" 8"
- MUNTINS**
- OPTIONAL 2" 4 1/4"
- ACTIVATION AND SAFETY**
- COMBINED ACTIVATION/SAFETY SENSORS
 - TOUCHLESS SWITCH

3-PANEL TELESCOPIC FORMULAS - NARROW STILE
 PACKAGE WIDTH = 3/2 CLEAR DOOR OPENING + 17.2"
 CLEAR DOOR OPENING = 2/3 PACKAGE WIDTH - 11.4"
 BREAKOUT WIDTH = PACKAGE WIDTH - 11.6"
 DOOR PANEL WIDTH (SX, SO) = 1/3 PACKAGE WIDTH + 0.5"
 DOOR PANEL WIDTH (SX) = 1/3 PACKAGE WIDTH + 0.4"

TYPICAL PACKAGE DIMENSIONS (NARROW STILE)			
PACKAGE WIDTH	NOMINAL CLEAR DOOR OPENING	SLIDING DOOR PANEL NOMINAL WIDTH	BREAKOUT NOMINAL WIDTH
84"	44.6"	28.4"	72.4"
96"	52.6"	32.4"	84.4"
108"	60.6"	36.4"	96.4"

3-PANEL TELESCOPIC TRACKLESS, AUTOMATIC

DURA-CARE™
7500A TL-FBO
SERIES

STANLEY
Access Technologies

**DURA-CARE™
7500A TL-FBO
SERIES**

3-PANEL TELESCOPING RIGHT HAND TRACKLESS

PROJECT INFORMATION

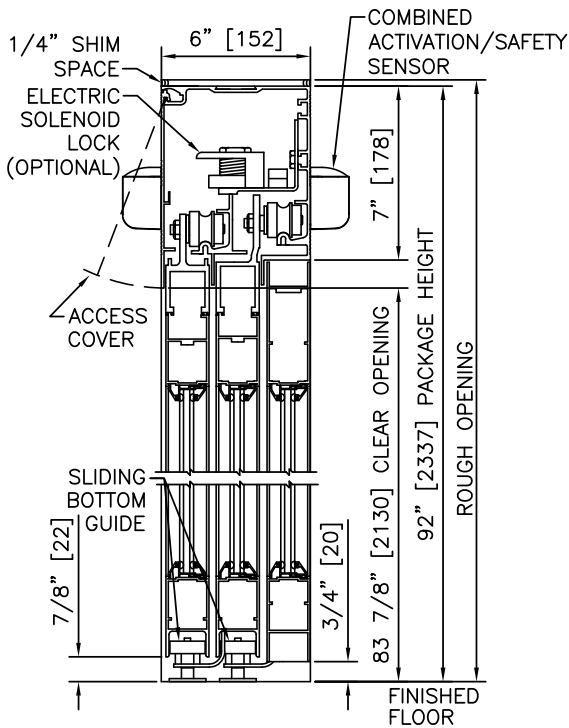
PROJECT NAME:

LOCATION:

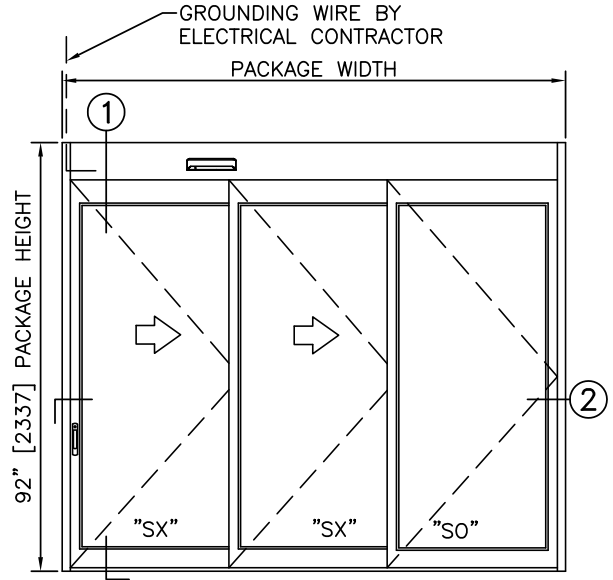
DOOR NUMBER(S):

DATE:

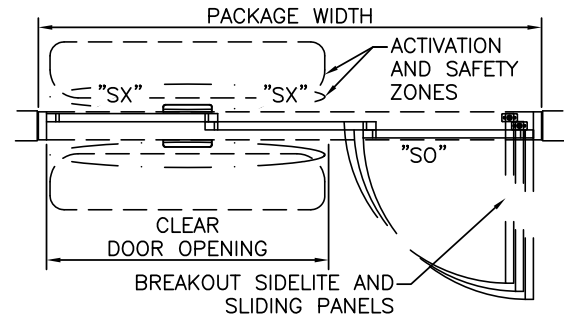
SHEET: OF



1 VERTICAL SECTION



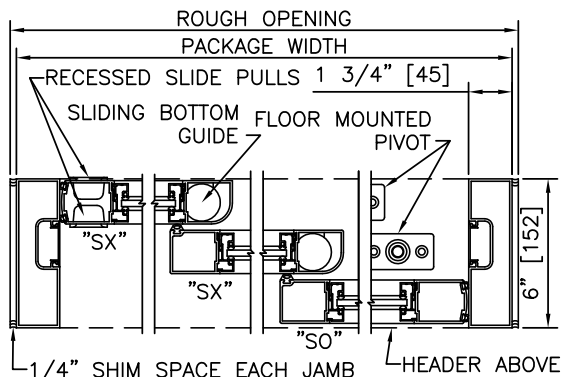
ELEVATION



PLAN

NOTES

1. ELECTRICAL REQUIREMENTS: BY ELECTRICAL CONTRACTOR
120 VAC, 5 AMP MIN TO POWER OPERATOR.
CONTROL CIRCUIT FROM REMOTE ACTIVATION TO OPERATOR.
2. ROUGH OPENING SHALL PROVIDE 1/4"[6] SHIM SPACE ON SIDES AND TOP OF PACKAGE.
3. LIMITS OF ACTIVATION AND SAFETY ZONES ARE FOR REFERENCE ONLY.
4. SLIDING PANEL MUST BE DRIVEN TO FULL OPEN POSITION, ENGAGING FLOOR MOUNTED HINGE PINS, PRIOR TO BREAKOUT.
5. SEE SPECIFICATIONS FOR ADDITIONAL INFORMATION.



2 HORIZONTAL SECTION

TYPICAL PACKAGE DIMENSIONS (NARROW STILE)			
PACKAGE WIDTH	NOMINAL CLEAR DOOR OPENING	SLIDING DOOR PANEL NOMINAL WIDTH	BREAKOUT NOMINAL WIDTH
84"	44.6"	28.4"	72.4"
96"	52.6"	32.4"	84.4"
108"	60.6"	36.4"	96.4"

**DURA-CARE™
7500A TL-FBO
SERIES**

3-PANEL TELESCOPING LEFT HAND TRACKLESS

PROJECT INFORMATION

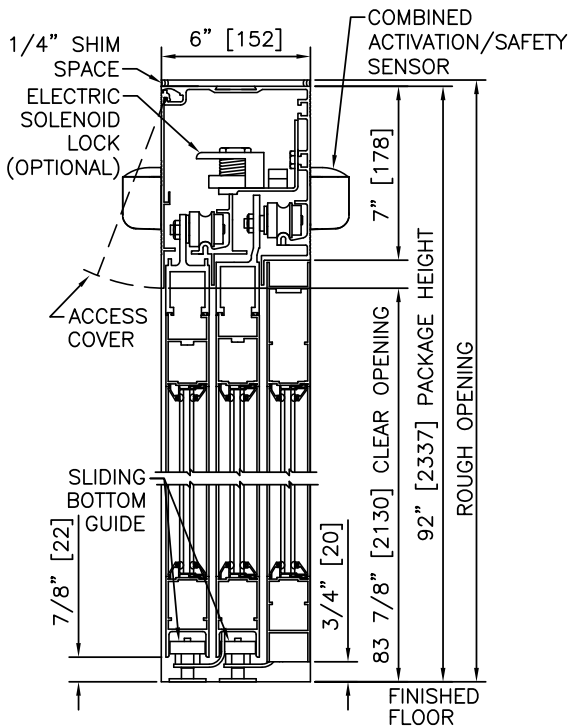
PROJECT NAME:

LOCATION:

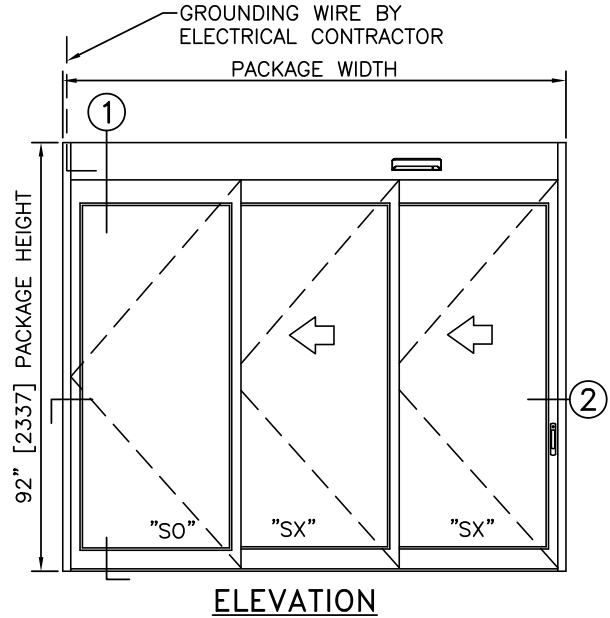
DOOR NUMBER(S):

DATE:

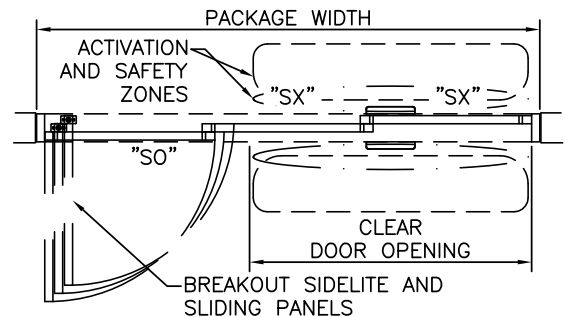
SHEET: OF



1 VERTICAL SECTION



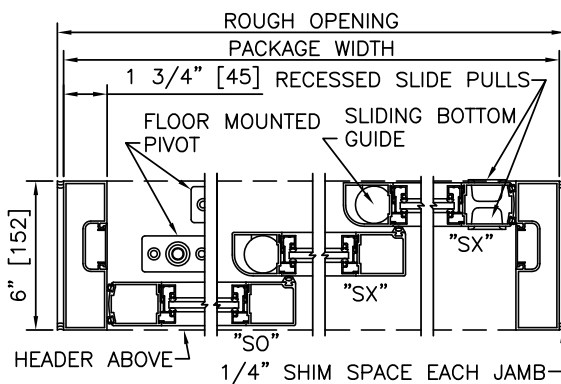
ELEVATION



PLAN

NOTES

1. ELECTRICAL REQUIREMENTS: BY ELECTRICAL CONTRACTOR
120 VAC, 5 AMP MIN TO POWER OPERATOR.
CONTROL CIRCUIT FROM REMOTE ACTIVATION TO OPERATOR.
2. ROUGH OPENING SHALL PROVIDE 1/4"[6] SHIM SPACE ON SIDES AND TOP OF PACKAGE.
3. LIMITS OF ACTIVATION AND SAFETY ZONES ARE FOR REFERENCE ONLY.
4. SLIDING PANEL MUST BE DRIVEN TO FULL OPEN POSITION, ENGAGING FLOOR MOUNTED HINGE PINS, PRIOR TO BREAKOUT.
5. SEE SPECIFICATIONS FOR ADDITIONAL INFORMATION.



2 HORIZONTAL SECTION

TYPICAL PACKAGE DIMENSIONS (NARROW STILE)			
PACKAGE WIDTH	NOMINAL CLEAR DOOR OPENING	SLIDING DOOR PANEL NOMINAL WIDTH	BREAKOUT NOMINAL WIDTH
84"	44.6"	28.4"	72.4"
96"	52.6"	32.4"	84.4"
108"	60.6"	36.4"	96.4"