



SLIDING MANUAL ENTRANCES: DURA-CARE™ 7500 SERIES, 3 PANEL TRACKLESS

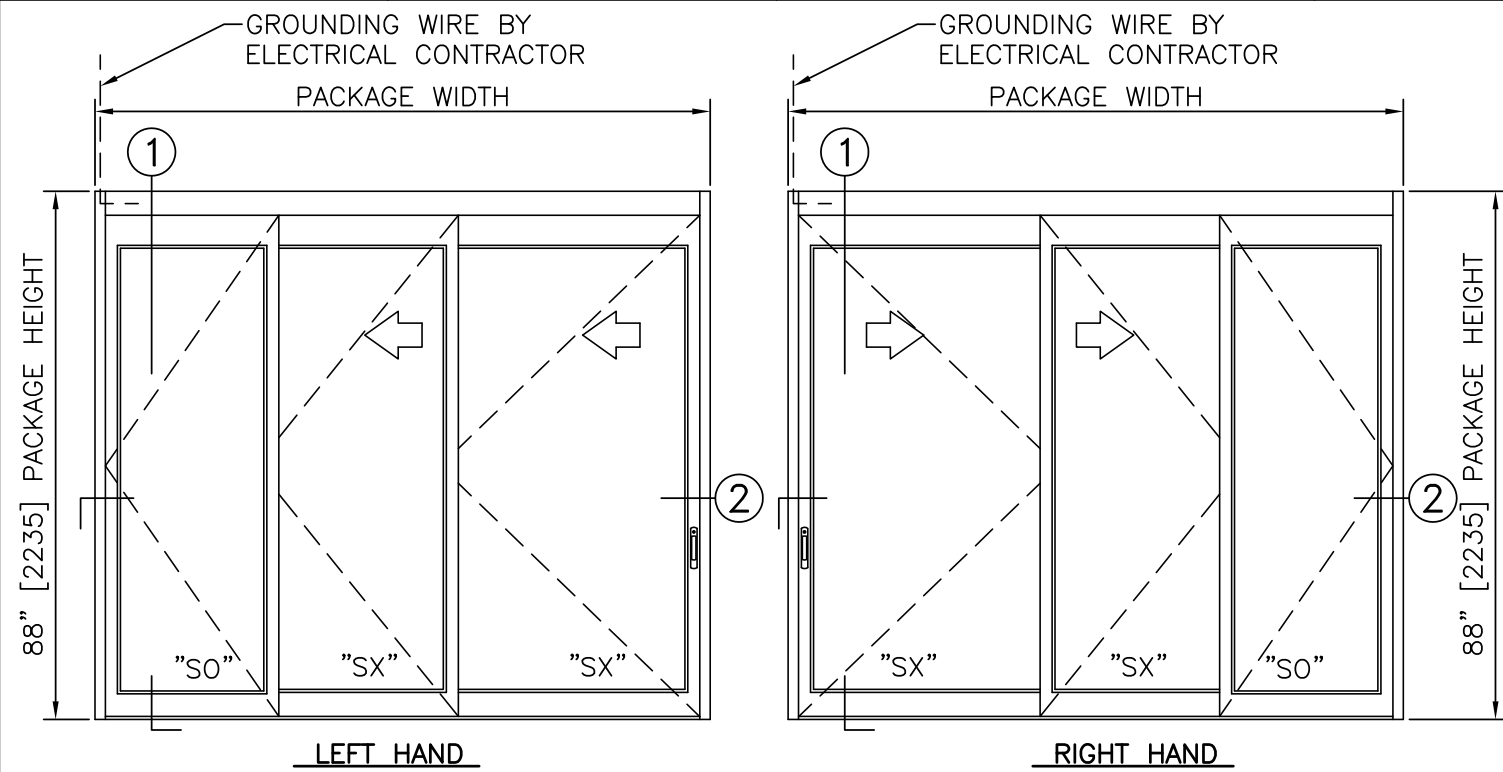
3.14 - 3-PANEL TELESCOPIC TRACKLESS

- 3.14.01 - RH, TRACKLESS
- 3.14.02 - LH, TRACKLESS
- 3.14.03 - RH, TRACKLESS, SMOKE & DRAFT
- 3.14.04 - LH, TRACKLESS, SMOKE & DRAFT

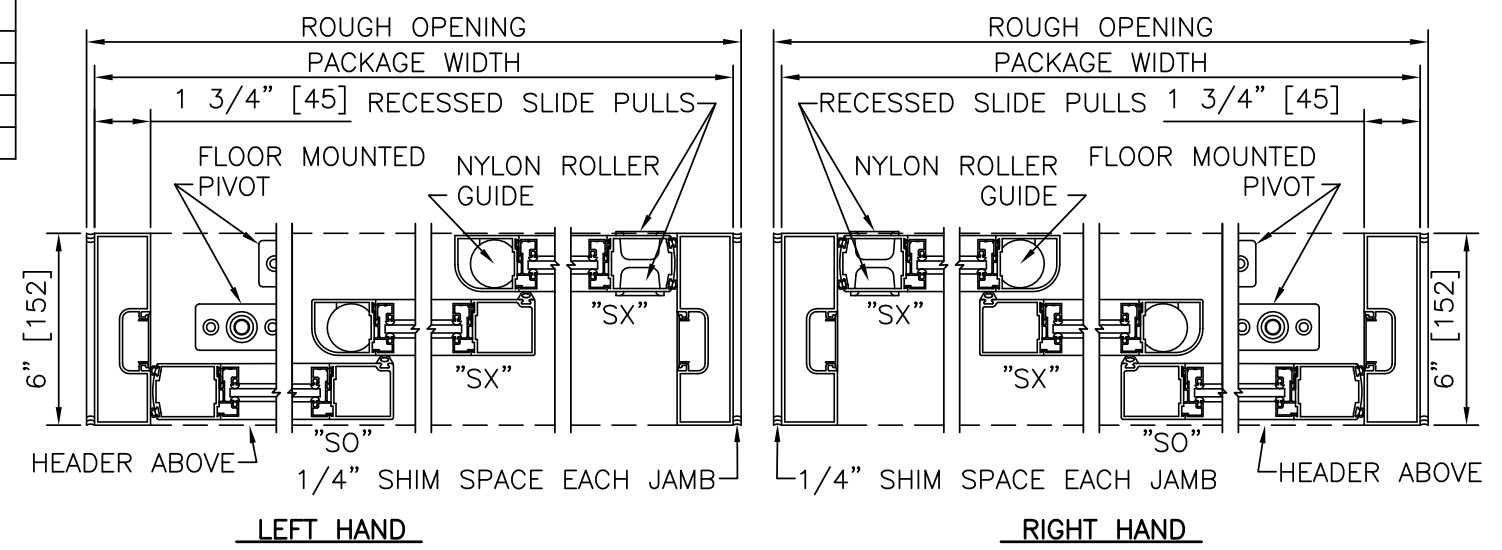


DURA-CARE™ 7500TL-FBO SERIES

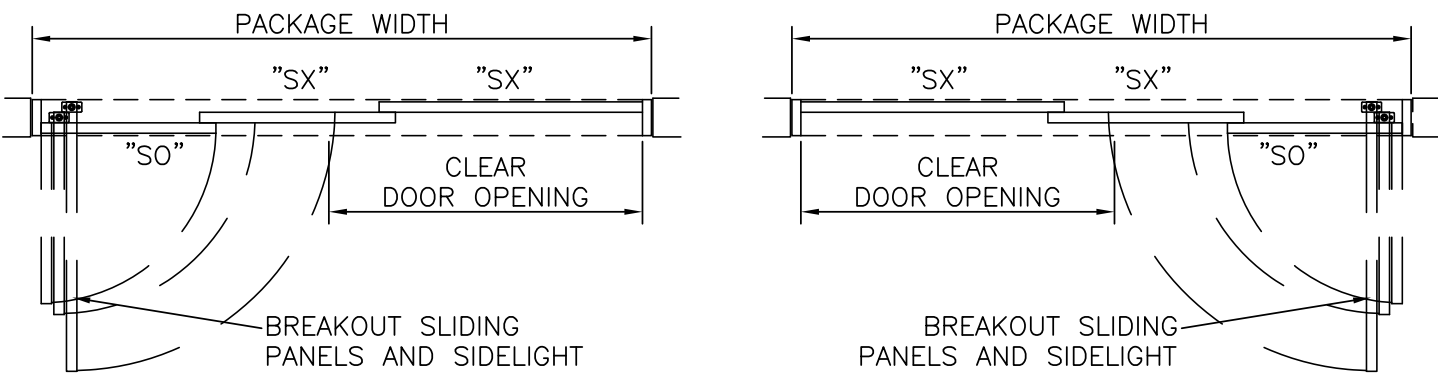
3-PANEL TELESCOPIC TRACKLESS	
PROJECT INFORMATION	
PROJECT NAME:	
LOCATION:	
DOOR NUMBER(S):	
DATE:	SHEET: OF



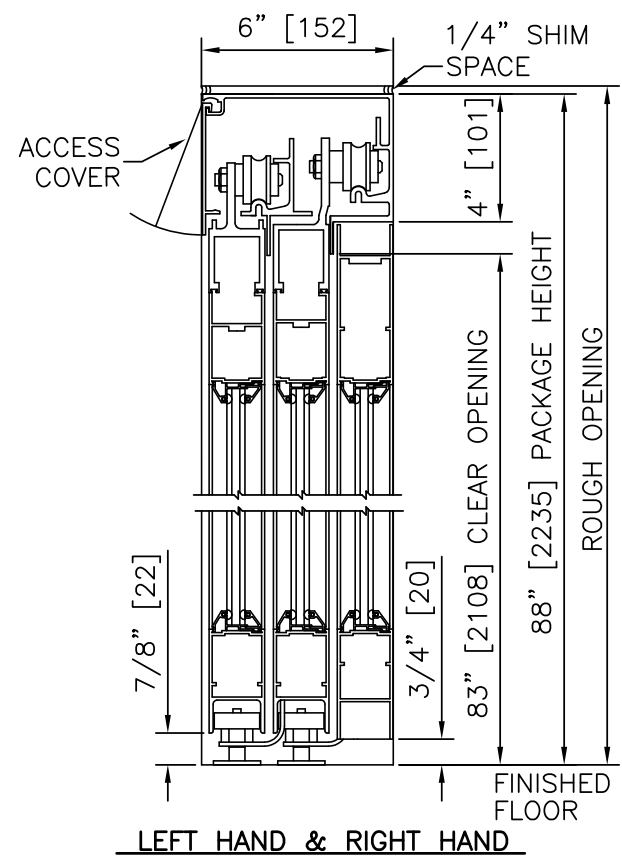
ELEVATION VIEW
SCALE: 3/8" = 1'-0"



HORIZONTAL SECTION
SCALE: 2" = 1'-0"



PLAN VIEW
SCALE: 3/8" = 1'-0"



VERTICAL SECTION
SCALE: 2" = 1'-0"

- PRODUCT OPTIONS**
- FINISH**
- ANODIZED CLEAR CL2
 - ANODIZED DK BRONZE
 - CUSTOM
- LATCHING/LOCKING**
- POSITIVE LATCH
 - 1-POINT
 - 2-POINT
- STILES**
- NARROW
 - MEDIUM
- BOTTOM RAILS**
- STANDARD 4"
 - OPTIONAL 6" 8" 10" 12"
- MUNTINS**
- OPTIONAL 2" 4 1/4"
- OTHER OPTIONS**
- SMOKE AND DRAFT CONTROL

SINGLE SLIDE FORMULAS - NARROW STILE

PACKAGE WIDTH = 3/2 CLEAR DOOR OPENING + 24.8"
 CLEAR DOOR OPENING = 2/3 PACKAGE WIDTH - 16.5"
 EMERGENCY BREAKOUT WIDTH = PACKAGE WIDTH - 11.9"
 DOOR PANEL WIDTH (SX) = 1/3 PACKAGE WIDTH + 6.5"
 DOOR PANEL WIDTH (SX) = 1/3 PACKAGE WIDTH + 0.4"
 DOOR PANEL WIDTH (SO) = 1/3 PACKAGE WIDTH - 5.5"

SINGLE SLIDE FORMULAS - MEDIUM STILE

PACKAGE WIDTH = 3/2 CLEAR DOOR OPENING + 26.3"
 CLEAR DOOR OPENING = 2/3 PACKAGE WIDTH - 17.5"
 EMERGENCY BREAKOUT WIDTH = PACKAGE WIDTH - 11.9"
 DOOR PANEL WIDTH (SX) = 1/3 PACKAGE WIDTH + 7.5"
 DOOR PANEL WIDTH (SX) = 1/3 PACKAGE WIDTH + 1.5"
 DOOR PANEL WIDTH (SO) = 1/3 PACKAGE WIDTH - 4.5"

- NOTES**
1. PACKAGE SHALL BE GROUNDED TO BUILDING GROUND SYSTEM. GROUNDING WIRE BY ELECTRICAL CONTRACTOR.
 2. ROUGH OPENING SHALL PROVIDE 1/4"[6] SHIM SPACE ON SIDES AND TOP OF PACKAGE.
 3. STANDARD PACKAGE EXCLUDES LATCHING OR LOCKING. POSITIVE LATCHING AND LOCKING SYSTEMS AVAILABLE.
 4. STANDARD GLAZING STOPS FOR ALL PANELS ARE 1/4"[6]; 5/8"[16] AND 1"[25] AVAILABLE.
 5. STANDARD STILES, BOTTOM RAILS SHOWN; MEDIUM STILES, BOTTOM RAILS TO 12"[305], AND MUNTINS AVAILABLE.
 6. SLIDING PANELS MUST BE MANUALLY SLID TO FULL OPEN POSITION AND ENGAGE FLOOR MOUNTED HINGE PINS PRIOR TO PANEL BREAKOUT.
 8. SEE SPECIFICATIONS FOR ADDITIONAL INFORMATION.

TYPICAL PACKAGE DIMENSIONS (NARROW STILE)					
PACKAGE WIDTH	NOMINAL CLEAR DOOR OPENING	"SX" SLIDING DOOR NOMINAL WIDTH	"SX" SLIDING DOOR NOMINAL WIDTH	"SO" SIDELITE NOMINAL WIDTH	BREAKOUT NOMINAL WIDTH
84"	39.5"	34.5"	28.4"	22.5"	72.4"
96"	47.5"	38.5"	32.4"	26.5"	84.4"
108"	55.5"	42.5"	36.4"	30.5"	96.4"

3-PANEL TELESCOPIC TRACKLESS

DURA-CARE™ 7500TL-FBO SERIES

**DURA-CARE™
7500TL-FBO
SERIES**

3-PANEL TELESCOPING RIGHT HAND TRACKLESS

PROJECT INFORMATION

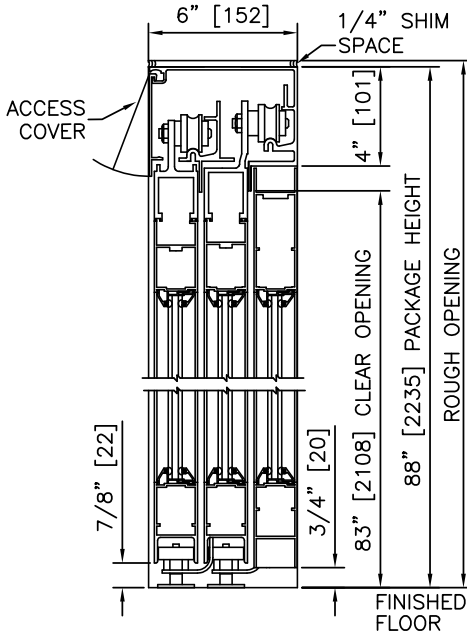
PROJECT NAME:

LOCATION:

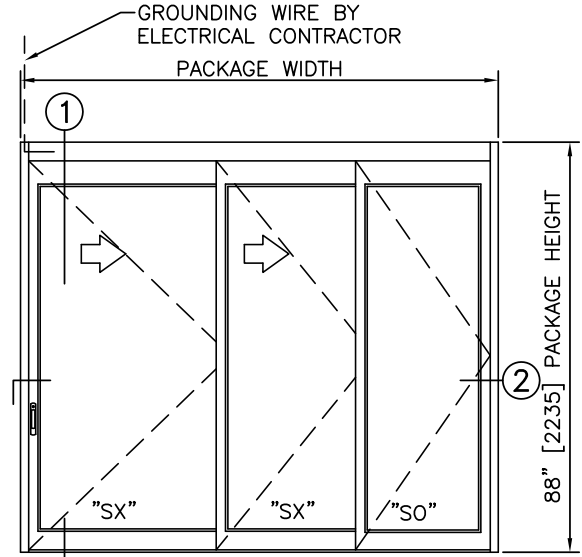
DOOR NUMBER(S):

DATE:

SHEET: OF



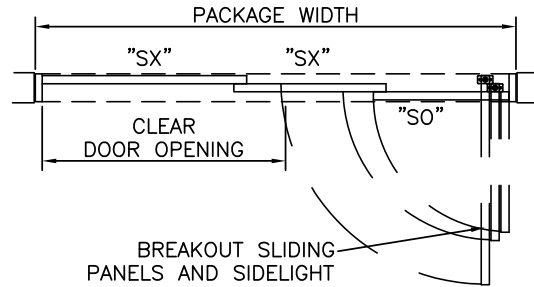
1 VERTICAL SECTION



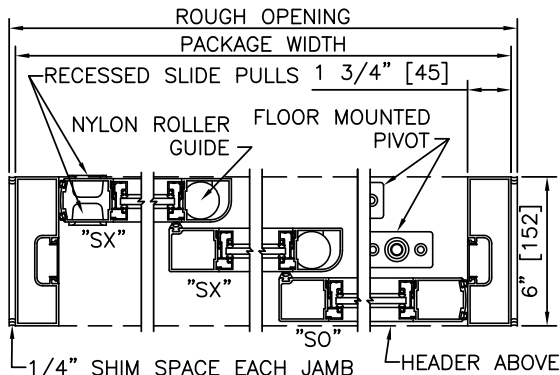
ELEVATION

NOTES

1. PACKAGE SHALL BE GROUNDED TO BUILDING GROUND SYSTEM. GROUNDING WIRE BY ELECTRICAL CONTRACTOR.
2. ROUGH OPENING SHALL PROVIDE 1/4"[6] SHIM SPACE ON SIDES AND TOP OF PACKAGE.
3. STANDARD PACKAGE EXCLUDES LATCHING OR LOCKING. POSITIVE LATCHING AND LOCKING SYSTEMS AVAILABLE.
4. SLIDING PANEL MUST BE MANUALLY SLID TO FULL OPEN POSITION, ENGAGING FLOOR MOUNTED HINGE PIN, PRIOR TO BREAKOUT.
5. SEE SPECIFICATIONS FOR ADDITIONAL INFORMATION.



PLAN



2 HORIZONTAL SECTION

TYPICAL PACKAGE DIMENSIONS (NARROW STILE)					
PACKAGE WIDTH	NOMINAL CLEAR DOOR OPENING	"SX" SLIDING DOOR NOMINAL WIDTH	"SX" SLIDING DOOR NOMINAL WIDTH	"SO" SIDELITE NOMINAL WIDTH	BREAKOUT NOMINAL WIDTH
84"	39.5"	34.5"	28.4"	22.5"	72.4"
96"	47.5"	38.5"	32.4"	26.5"	84.4"
108"	55.5"	42.5"	36.4"	30.5"	96.4"

DURA-CARE™
7500TL-FBO
SERIES

3-PANEL TELESCOPING LEFT HAND TRACKLESS

PROJECT INFORMATION

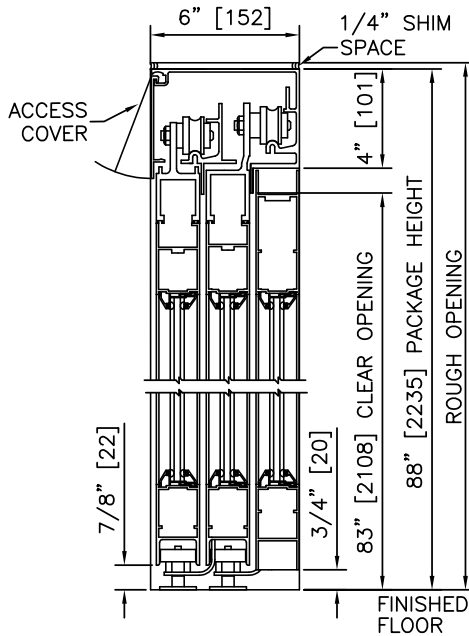
PROJECT NAME:

LOCATION:

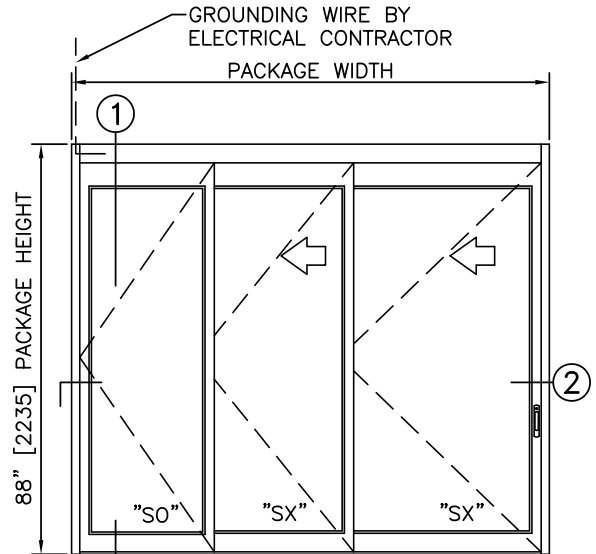
DOOR NUMBER(S):

DATE:

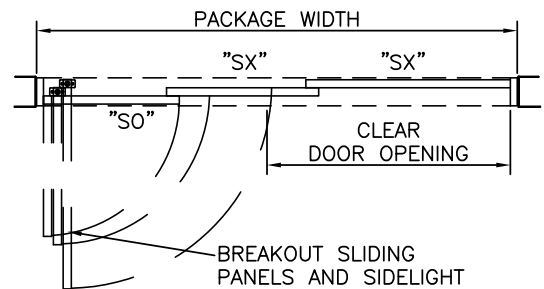
SHEET: OF



1 VERTICAL SECTION



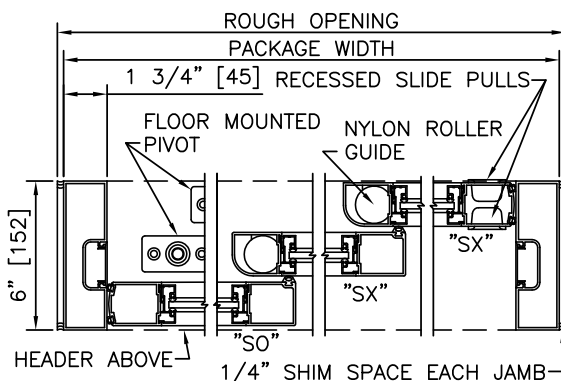
ELEVATION



PLAN

NOTES

1. PACKAGE SHALL BE GROUNDED TO BUILDING GROUND SYSTEM. GROUNDING WIRE BY ELECTRICAL CONTRACTOR.
2. ROUGH OPENING SHALL PROVIDE 1/4" [6] SHIM SPACE ON SIDES AND TOP OF PACKAGE.
3. STANDARD PACKAGE EXCLUDES LATCHING OR LOCKING. POSITIVE LATCHING AND LOCKING SYSTEMS AVAILABLE.
4. SLIDING PANEL MUST BE MANUALLY SLID TO FULL OPEN POSITION, ENGAGING FLOOR MOUNTED HINGE PIN, PRIOR TO BREAKOUT.
5. SEE SPECIFICATIONS FOR ADDITIONAL INFORMATION.



2 HORIZONTAL SECTION

TYPICAL PACKAGE DIMENSIONS (NARROW STILE)					
PACKAGE WIDTH	NOMINAL CLEAR DOOR OPENING	"SX" SLIDING DOOR NOMINAL WIDTH	"SX" SLIDING DOOR NOMINAL WIDTH	"SO" SIDELITE NOMINAL WIDTH	BREAKOUT NOMINAL WIDTH
84"	39.5"	34.5"	28.4"	22.5"	72.4"
96"	47.5"	38.5"	32.4"	26.5"	84.4"
108"	55.5"	42.5"	36.4"	30.5"	96.4"

DURA-CARE™
7500TL-FBO
SERIES

3-PANEL TELESCOPING RIGHT HAND TRACKLESS, SMOKE & DRAFT

PROJECT INFORMATION

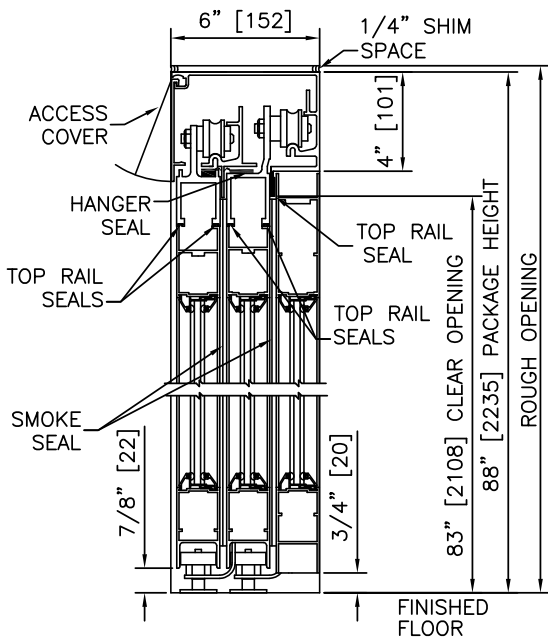
PROJECT NAME:

LOCATION:

DOOR NUMBER(S):

DATE:

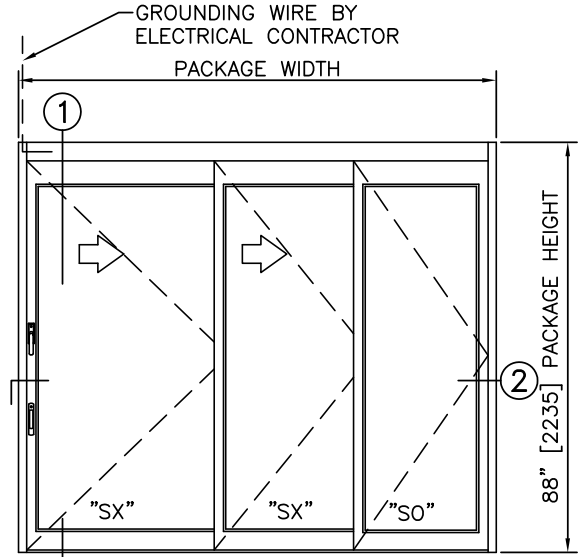
SHEET: OF



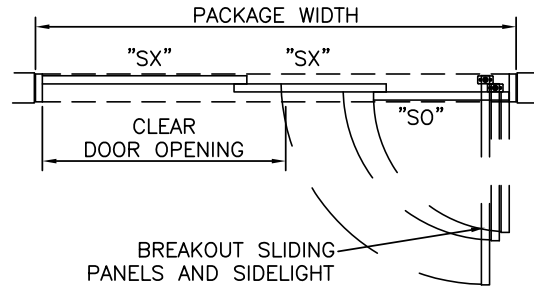
1 VERTICAL SECTION

NOTES

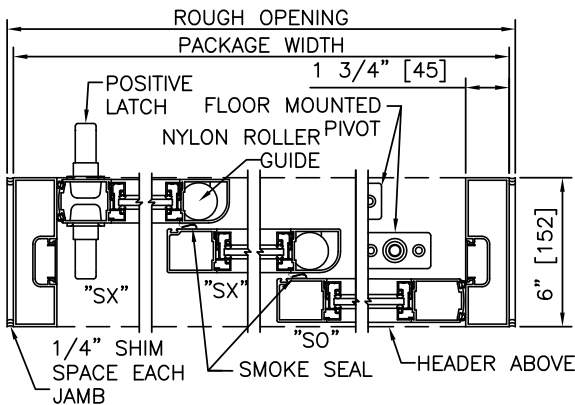
1. PACKAGE SHALL BE GROUNDED TO BUILDING GROUND SYSTEM. GROUNDING WIRE BY ELECTRICAL CONTRACTOR.
2. ROUGH OPENING SHALL PROVIDE 1/4"[6] SHIM SPACE ON SIDES AND TOP OF PACKAGE.
3. STANDARD PACKAGE EXCLUDES LATCHING OR LOCKING. POSITIVE LATCHING AND LOCKING SYSTEMS AVAILABLE.
4. SLIDING PANEL MUST BE MANUALLY SLID TO FULL OPEN POSITION, ENGAGING FLOOR MOUNTED HINGE PIN, PRIOR TO BREAKOUT.
5. PRODUCT IS CERTIFIED AS AN EFFECTIVE BARRIER AGAINST THE PASSAGE OF SMOKE IN ACCORDANCE WITH UL1784.
6. SEE SPECIFICATIONS FOR ADDITIONAL INFORMATION.



ELEVATION



PLAN



2 HORIZONTAL SECTION

TYPICAL PACKAGE DIMENSIONS (NARROW STILE)					
PACKAGE WIDTH	NOMINAL CLEAR DOOR OPENING	"SX" SLIDING DOOR NOMINAL WIDTH	"SX" SLIDING DOOR NOMINAL WIDTH	"SO" SIDELITE NOMINAL WIDTH	BREAKOUT NOMINAL WIDTH
84"	39.5"	34.5"	28.4"	22.5"	72.4"
96"	47.5"	38.5"	32.4"	26.5"	84.4"
108"	55.5"	42.5"	36.4"	30.5"	96.4"

DURA-CARE™
7500TL-FBO
SERIES

3-PANEL TELESCOPING LEFT HAND TRACKLESS, SMOKE & DRAFT

PROJECT INFORMATION

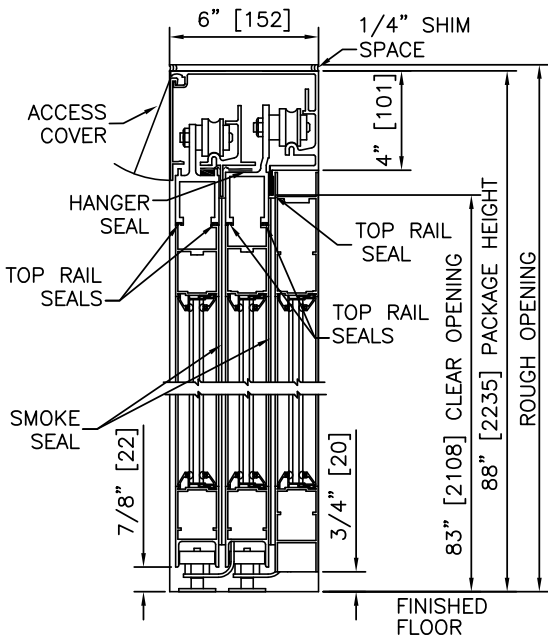
PROJECT NAME:

LOCATION:

DOOR NUMBER(S):

DATE:

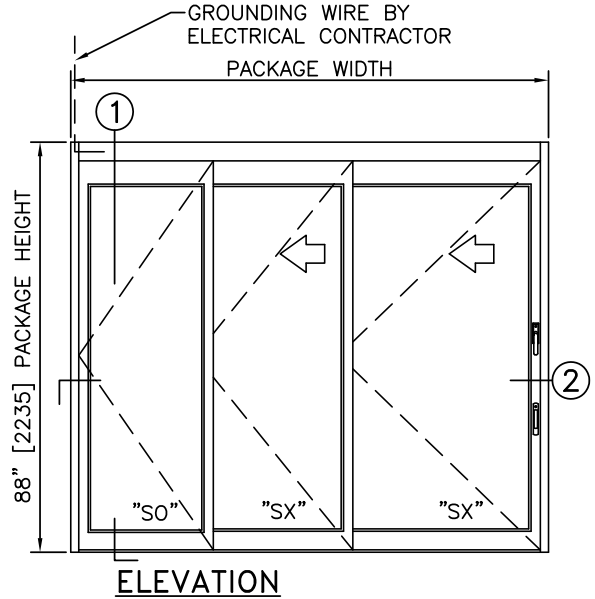
SHEET: OF



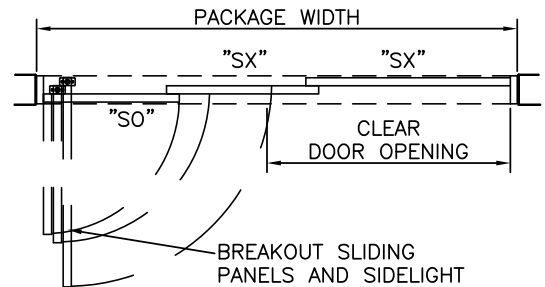
1 VERTICAL SECTION

NOTES

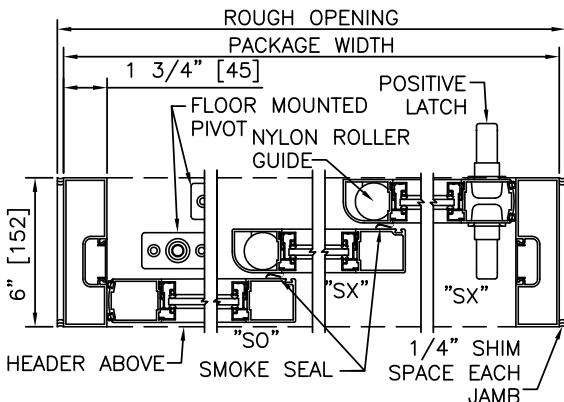
1. PACKAGE SHALL BE GROUNDED TO BUILDING GROUND SYSTEM. GROUNDING WIRE BY ELECTRICAL CONTRACTOR.
2. ROUGH OPENING SHALL PROVIDE 1/4"[6] SHIM SPACE ON SIDES AND TOP OF PACKAGE.
3. STANDARD PACKAGE EXCLUDES LATCHING OR LOCKING. POSITIVE LATCHING AND LOCKING SYSTEMS AVAILABLE.
4. SLIDING PANEL MUST BE MANUALLY SLID TO FULL OPEN POSITION, ENGAGING FLOOR MOUNTED HINGE PIN, PRIOR TO BREAKOUT.
5. PRODUCT IS CERTIFIED AS AN EFFECTIVE BARRIER AGAINST THE PASSAGE OF SMOKE IN ACCORDANCE WITH UL1784.
6. SEE SPECIFICATIONS FOR ADDITIONAL INFORMATION.



ELEVATION



PLAN



2 HORIZONTAL SECTION

TYPICAL PACKAGE DIMENSIONS (NARROW STILE)					
PACKAGE WIDTH	NOMINAL CLEAR DOOR OPENING	"SX" SLIDING DOOR NOMINAL WIDTH	"SX" SLIDING DOOR NOMINAL WIDTH	"SO" SIDELITE NOMINAL WIDTH	BREAKOUT NOMINAL WIDTH
84"	39.5"	34.5"	28.4"	22.5"	72.4"
96"	47.5"	38.5"	32.4"	26.5"	84.4"
108"	55.5"	42.5"	36.4"	30.5"	96.4"