



SLIDING MANUAL ENTRANCES: DURA-CARE™ 7500 SERIES, 3 PANEL, TRACKLESS

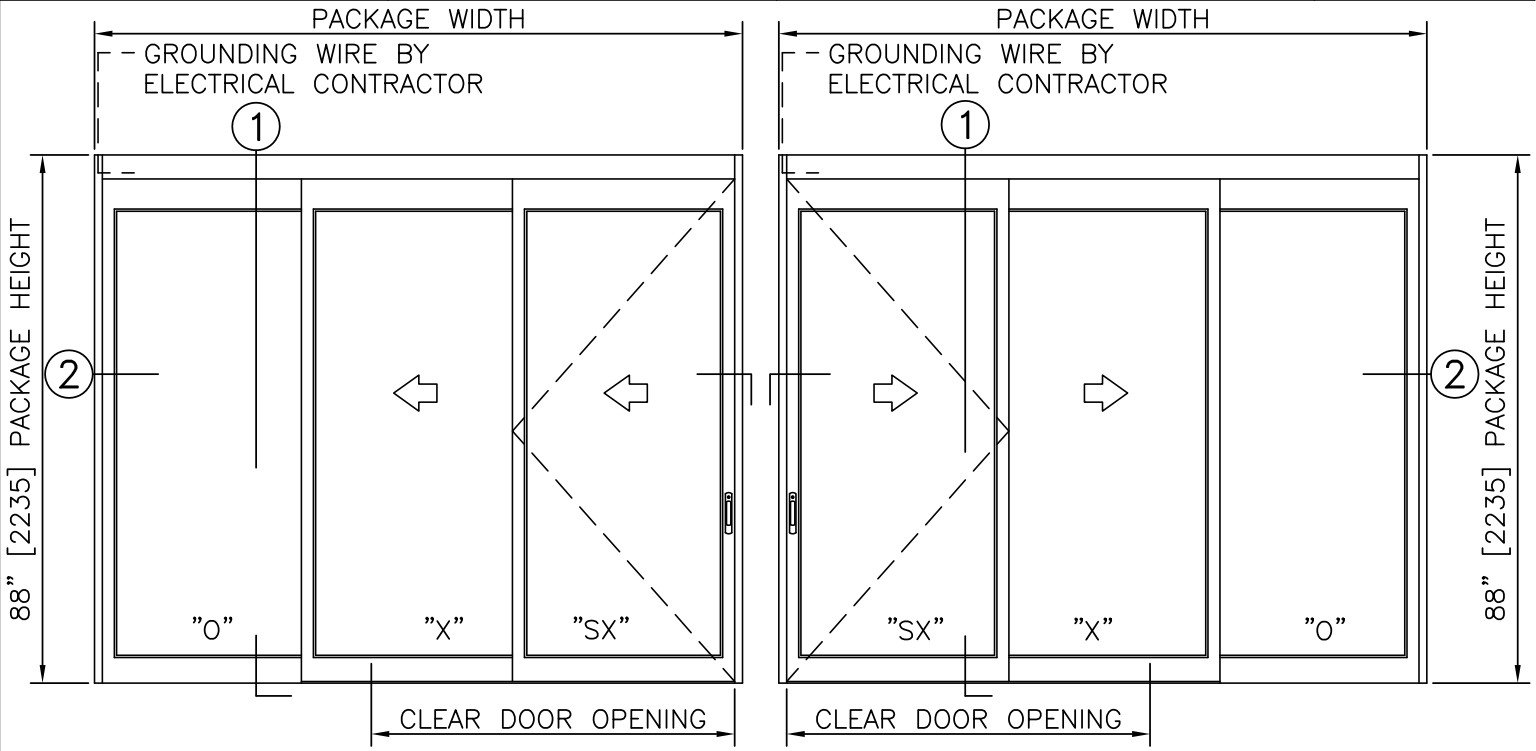
3.12 - 3 PANEL TELESCOPIC TRACKLESS

- 3.12.01 - 3-PANEL, RH, TRACKLESS
- 3.12.02 - 3-PANEL, LH, TRACKLESS
- 3.12.03 - 3-PANEL, RH, TRACKLESS, SMOKE & DRAFT
- 3.12.04 - 3-PANEL, LH, TRACKLESS, SMOKE & DRAFT
- 3.12.05 - 3-PANEL, RH, TRACKLESS, SURFACE APPLIED
- 3.12.06 - 3-PANEL, LH, TRACKLESS, SURFACE APPLIED
- 3.12.07 - 3-PANEL, RH, TRACKLESS, SMOKE & DRAFT, SURFACE APPLIED
- 3.12.08 - 3-PANEL, LH, TRACKLESS, SMOKE & DRAFT, SURFACE APPLIED

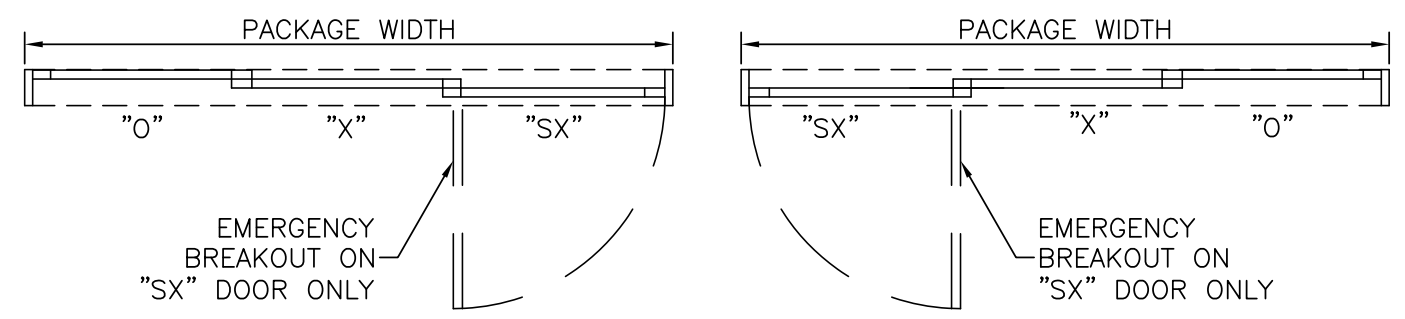


DURA-CARE™
7500TL
SERIES

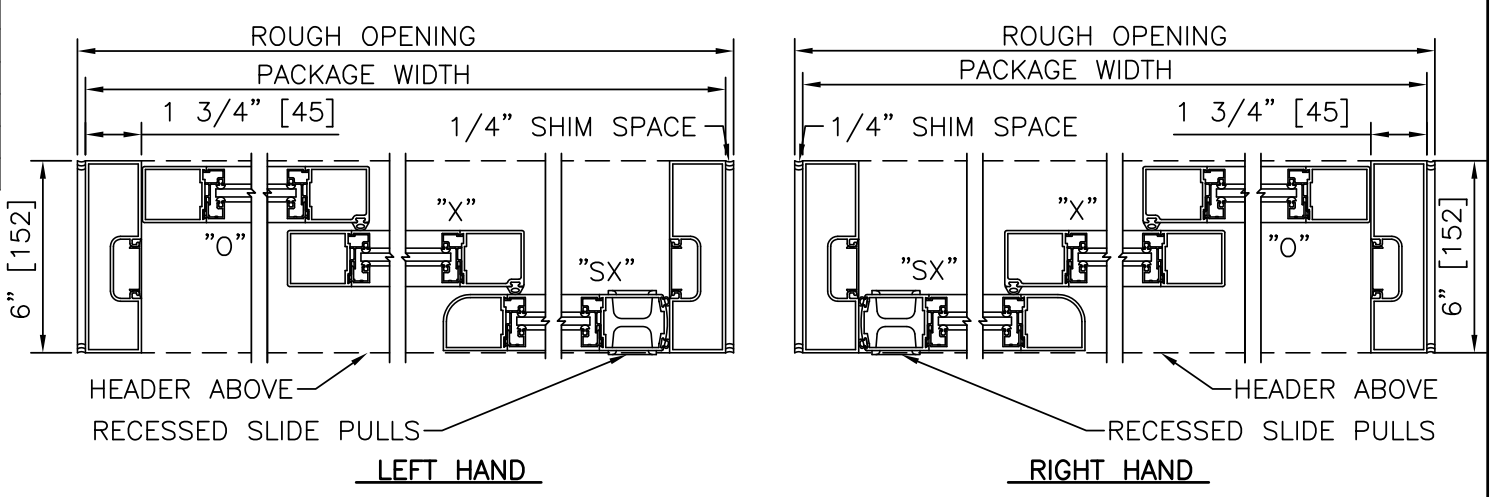
3-PANEL TELESCOPIC TRACKLESS	
PROJECT INFORMATION	
PROJECT NAME:	
LOCATION:	
DOOR NUMBER(S):	
DATE:	SHEET: OF



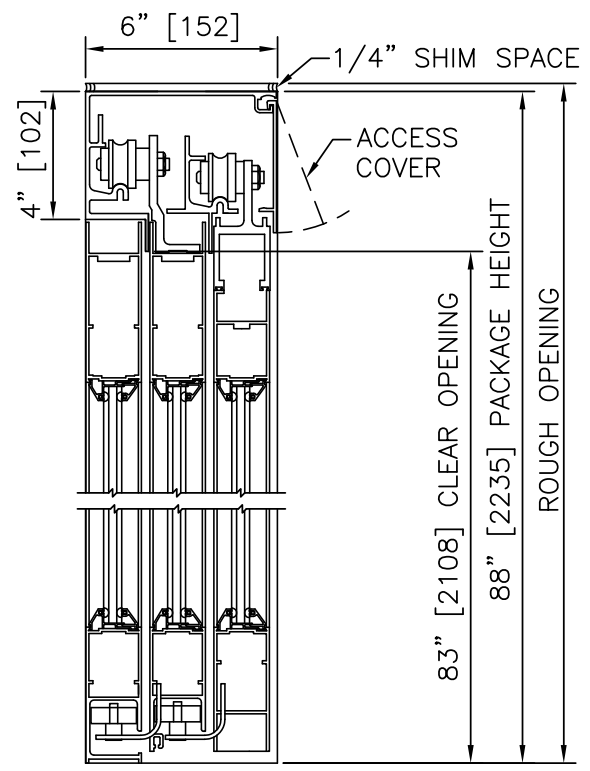
ELEVATION VIEW
SCALE: 3/8" = 1'-0"



PLAN VIEW
SCALE: 3/8" = 1'-0"



HORIZONTAL SECTION
SCALE: 2" = 1'-0"



VERTICAL SECTION
SCALE: 2" = 1'-0"

PRODUCT OPTIONS

- FINISH**
- ANODIZED CLEAR CL2
 - ANODIZED DK BRONZE
 - CUSTOM
- LATCHING/LOCKING**
- POSITIVE LATCH
 - 1-POINT
 - 2-POINT
- STILES**
- NARROW
 - MEDIUM
- BOTTOM RAILS**
- STANDARD 4"
 - OPTIONAL 6" 8" 10" 12"
- MUNTINS**
- OPTIONAL 2" 4 1/4"
- OTHER OPTIONS**
- SMOKE AND DRAFT CONTROL

3-PANEL TELESCOPIC FORMULAS - NARROW STILE
 PACKAGE WIDTH = 3/2 CLEAR DOOR OPENING + 17.2"
 CLEAR DOOR OPENING = 2/3 PACKAGE WIDTH - 11.4"
 EMERGENCY BREAKOUT WIDTH = PANEL WIDTH (SX) - 2.6"
 DOOR PANEL WIDTH (SX, O) = 1/3 PACKAGE WIDTH + 0.5"
 DOOR PANEL WIDTH (X) = 1/3 PACKAGE WIDTH + 0.4"

3-PANEL TELESCOPIC FORMULAS - MEDIUM STILE
 PACKAGE WIDTH = 3/2 CLEAR DOOR OPENING + 23.1"
 CLEAR DOOR OPENING = 2/3 PACKAGE WIDTH - 15.4"
 EMERGENCY BREAKOUT WIDTH = PANEL WIDTH - 4.1"
 DOOR PANEL WIDTH (ALL) = 1/3 PACKAGE WIDTH + 1.5"

TYPICAL PACKAGE DIMENSIONS (NARROW STILE)				
PACKAGE WIDTH	NOMINAL CLEAR DOOR OPENING	"SX", "O" PANEL NOMINAL WIDTH	"X" PANEL NOMINAL WIDTH	EMERGENCY BREAKOUT NOM. WIDTH
84"	44.6"	28.5"	28.4"	26.0"
96"	52.6"	32.5"	32.4"	30.0"
108"	60.6"	36.5"	36.4"	34.0"

3-PANEL TELESCOPIC TRACKLESS

DURA-CARE™
7500TL
SERIES

- NOTES**
- PACKAGE SHALL BE GROUNDED TO BUILDING GROUND SYSTEM. GROUNDING WIRE BY ELECTRICAL CONTRACTOR.
 - ROUGH OPENING SHALL PROVIDE 1/4"[6] SHIM SPACE ON SIDES AND TOP OF PACKAGE.
 - STANDARD PACKAGE EXCLUDES LATCHING OR LOCKING. POSITIVE LATCHING AND LOCKING SYSTEMS AVAILABLE.
 - STANDARD GLAZING STOPS FOR ALL PANELS ARE 1/4"[6]; 5/8"[16] AND 1"[25] AVAILABLE.
 - STANDARD STILES, AND BOTTOM RAILS SHOWN; MEDIUM STILES, BOTTOM RAILS TO 12"[305], AND MUNTINS AVAILABLE.
 - SEE SPECIFICATIONS FOR ADDITIONAL INFORMATION.

DURA-CARE™
7500TL
SERIES

3-PANEL TELESCOPING RIGHT HAND TRACKLESS

PROJECT INFORMATION

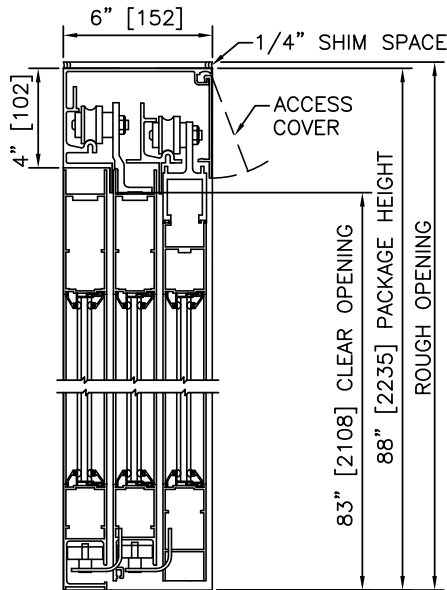
PROJECT NAME:

LOCATION:

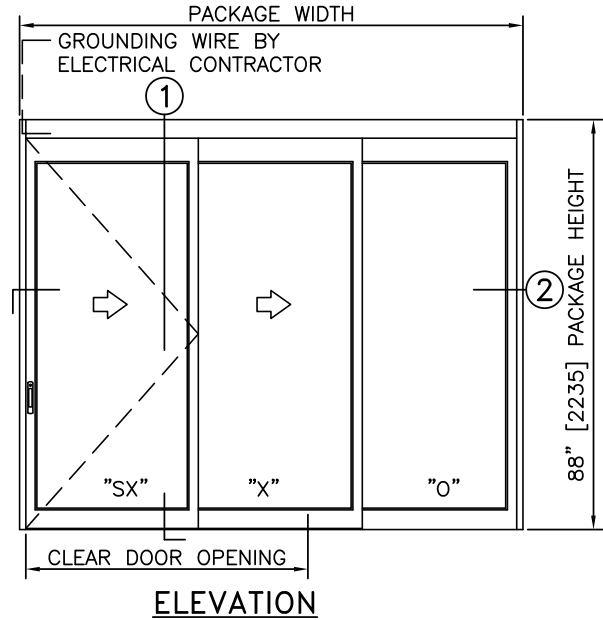
DOOR NUMBER(S):

DATE:

SHEET: OF



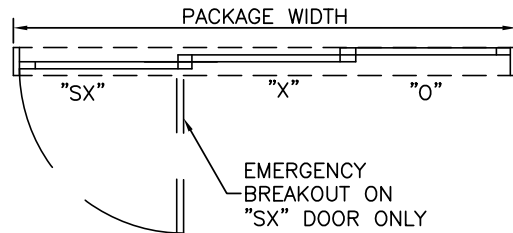
① VERTICAL SECTION



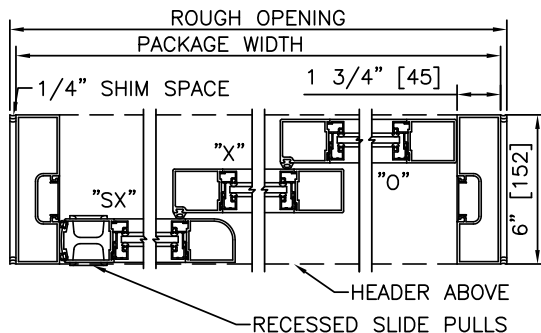
ELEVATION

NOTES

1. PACKAGE SHALL BE GROUNDED TO BUILDING GROUND SYSTEM. GROUNDING WIRE BY ELECTRICAL CONTRACTOR.
2. ROUGH OPENING SHALL PROVIDE 1/4"[6] SHIM SPACE ON SIDES AND TOP OF PACKAGE.
3. STANDARD PACKAGE EXCLUDES LATCHING OR LOCKING. POSITIVE LATCHING AND LOCKING SYSTEMS AVAILABLE.
4. SEE SPECIFICATIONS FOR ADDITIONAL INFORMATION.



PLAN



② HORIZONTAL SECTION

TYPICAL PACKAGE DIMENSIONS (NARROW STILE)				
PACKAGE WIDTH	NOMINAL CLEAR DOOR OPENING	"SX", "O" PANEL NOMINAL WIDTH	"X" PANEL NOMINAL WIDTH	EMERGENCY BREAKOUT NOM. WIDTH
84"	44.6"	28.5"	28.4"	26.0"
96"	52.6"	32.5"	32.4"	30.0"
108"	60.6"	36.5"	36.4"	34.0"

DURA-CARE™
7500TL
SERIES

3-PANEL TELESCOPING LEFT HAND TRACKLESS

PROJECT INFORMATION

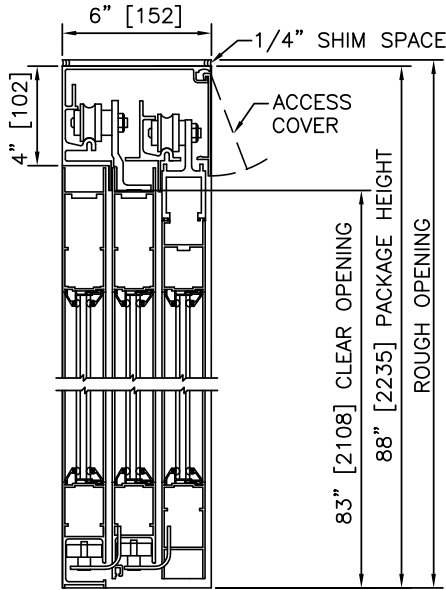
PROJECT NAME:

LOCATION:

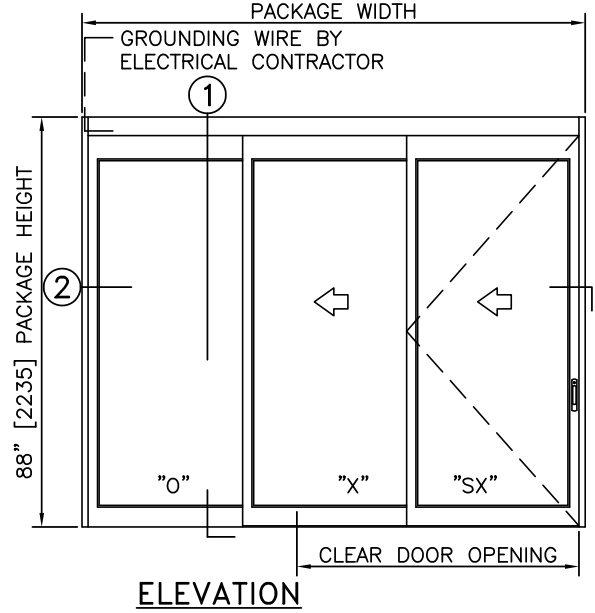
DOOR NUMBER(S):

DATE:

SHEET: OF



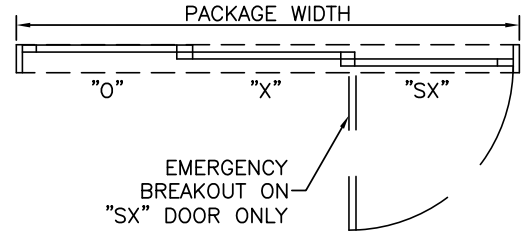
① VERTICAL SECTION



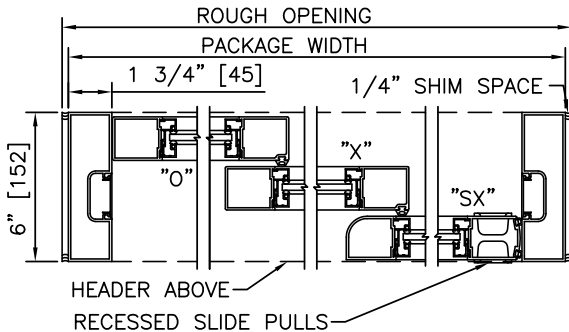
ELEVATION

NOTES

1. PACKAGE SHALL BE GROUNDED TO BUILDING GROUND SYSTEM. GROUNDING WIRE BY ELECTRICAL CONTRACTOR.
2. ROUGH OPENING SHALL PROVIDE 1/4" [6] SHIM SPACE ON SIDES AND TOP OF PACKAGE.
3. STANDARD PACKAGE EXCLUDES LATCHING OR LOCKING. POSITIVE LATCHING AND LOCKING SYSTEMS AVAILABLE.
4. SEE SPECIFICATIONS FOR ADDITIONAL INFORMATION.



PLAN



② HORIZONTAL SECTION

TYPICAL PACKAGE DIMENSIONS (NARROW STILE)				
PACKAGE WIDTH	NOMINAL CLEAR DOOR OPENING	"SX", "O" PANEL NOMINAL WIDTH	"X" PANEL NOMINAL WIDTH	EMERGENCY BREAKOUT NOM. WIDTH
84"	44.6"	28.5"	28.4"	26.0"
96"	52.6"	32.5"	32.4"	30.0"
108"	60.6"	36.5"	36.4"	34.0"

DURA-CARE™
7500TL
SERIES

3-PANEL TELESCOPING RIGHT HAND TRACKLESS, SMOKE & DRAFT

PROJECT INFORMATION

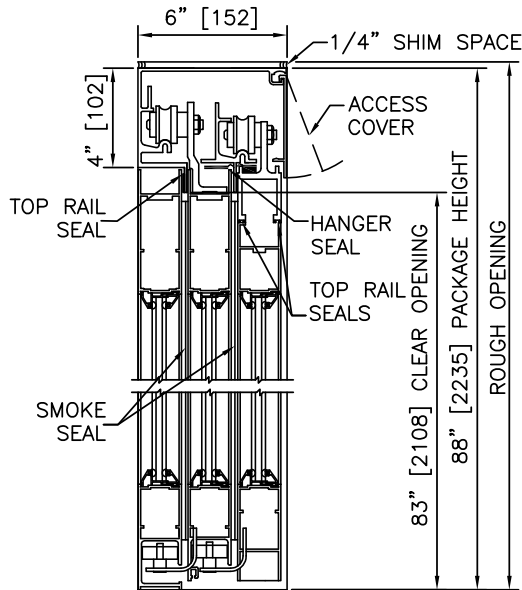
PROJECT NAME:

LOCATION:

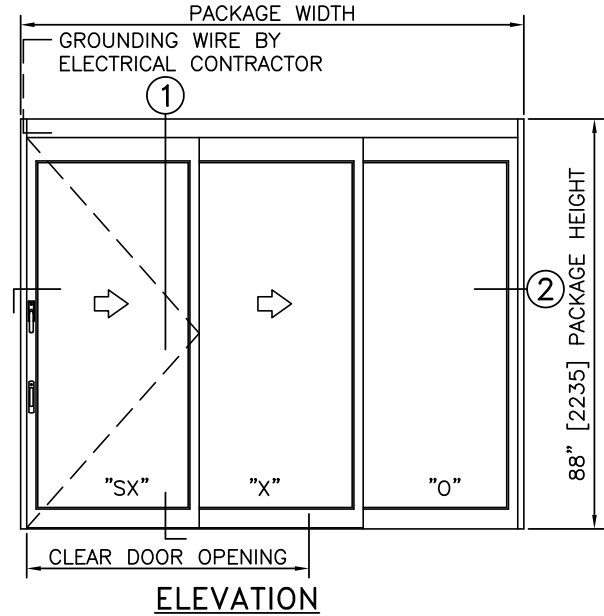
DOOR NUMBER(S):

DATE:

SHEET: OF

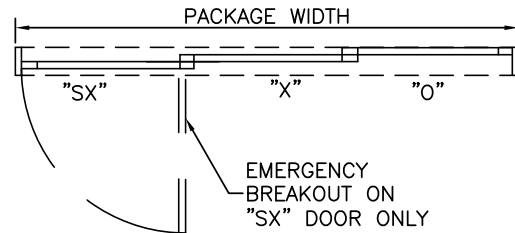


1 VERTICAL SECTION

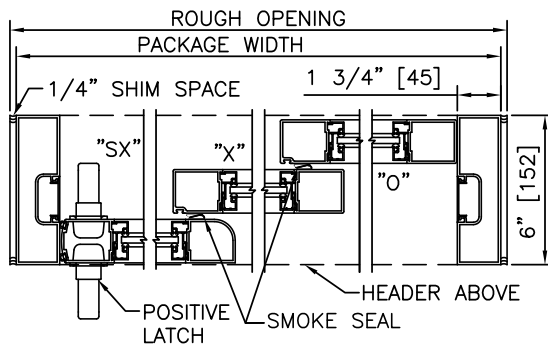


NOTES

1. PACKAGE SHALL BE GROUNDED TO BUILDING GROUND SYSTEM. GROUNDING WIRE BY ELECTRICAL CONTRACTOR.
2. ROUGH OPENING SHALL PROVIDE 1/4" [6] SHIM SPACE ON SIDES AND TOP OF PACKAGE.
3. STANDARD PACKAGE EXCLUDES LATCHING OR LOCKING. POSITIVE LATCHING AND LOCKING SYSTEMS AVAILABLE.
4. PRODUCT IS CERTIFIED AS AN EFFECTIVE BARRIER AGAINST THE PASSAGE OF SMOKE IN ACCORDANCE WITH UL1784.
5. SEE SPECIFICATIONS FOR ADDITIONAL INFORMATION.



PLAN



2 HORIZONTAL SECTION

TYPICAL PACKAGE DIMENSIONS (NARROW STILE)				
PACKAGE WIDTH	NOMINAL CLEAR DOOR OPENING	"SX", "O" PANEL NOMINAL WIDTH	"X" PANEL NOMINAL WIDTH	EMERGENCY BREAKOUT NOM. WIDTH
84"	44.6"	28.5"	28.4"	26.0"
96"	52.6"	32.5"	32.4"	30.0"
108"	60.6"	36.5"	36.4"	34.0"

DURA-CARE™
7500TL
SERIES

3-PANEL TELESCOPING LEFT HAND TRACKLESS, SMOKE & DRAFT

PROJECT INFORMATION

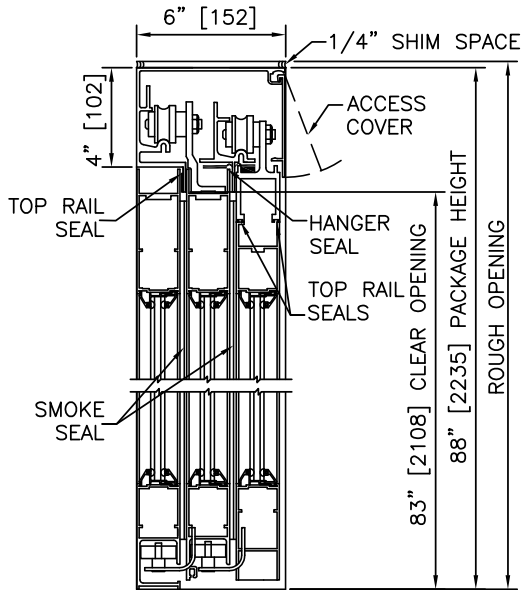
PROJECT NAME:

LOCATION:

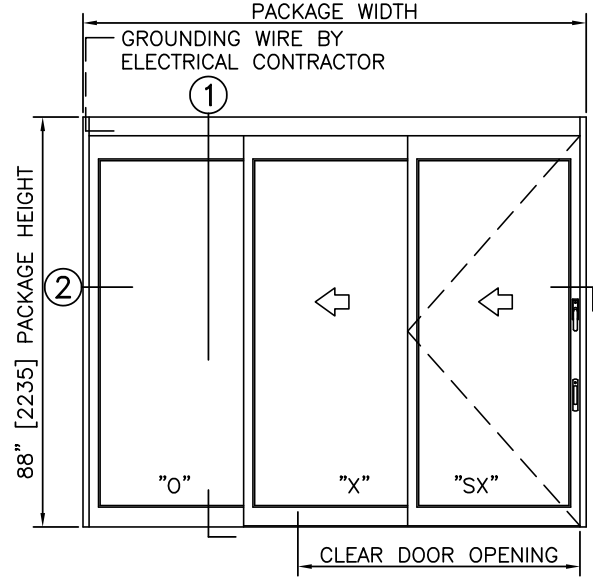
DOOR NUMBER(S):

DATE:

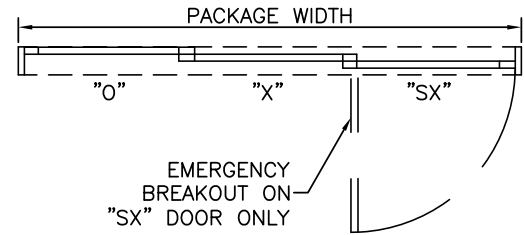
SHEET: OF



1 VERTICAL SECTION



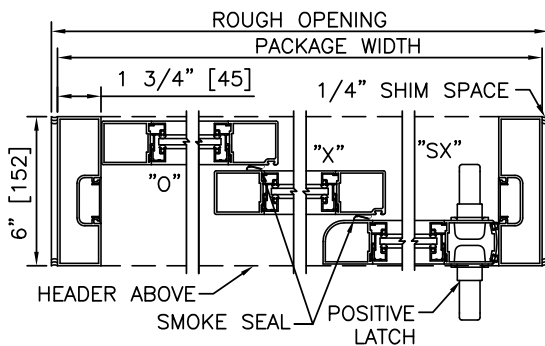
ELEVATION



PLAN

NOTES

1. PACKAGE SHALL BE GROUNDED TO BUILDING GROUND SYSTEM. GROUNDING WIRE BY ELECTRICAL CONTRACTOR.
2. ROUGH OPENING SHALL PROVIDE 1/4"[6] SHIM SPACE ON SIDES AND TOP OF PACKAGE.
3. STANDARD PACKAGE EXCLUDES LATCHING OR LOCKING. POSITIVE LATCHING AND LOCKING SYSTEMS AVAILABLE.
4. PRODUCT IS CERTIFIED AS AN EFFECTIVE BARRIER AGAINST THE PASSAGE OF SMOKE IN ACCORDANCE WITH UL1784.
5. SEE SPECIFICATIONS FOR ADDITIONAL INFORMATION.



2 HORIZONTAL SECTION

TYPICAL PACKAGE DIMENSIONS (NARROW STILE)				
PACKAGE WIDTH	NOMINAL CLEAR DOOR OPENING	"SX", "O" PANEL NOMINAL WIDTH	"X" PANEL NOMINAL WIDTH	EMERGENCY BREAKOUT NOM. WIDTH
84"	44.6"	28.5"	28.4"	26.0"
96"	52.6"	32.5"	32.4"	30.0"
108"	60.6"	36.5"	36.4"	34.0"

DURA-CARE™
7500TL
SERIES

3-PANEL TELESCOPING RIGHT HAND TRACKLESS, SURFACE APPLIED

PROJECT INFORMATION

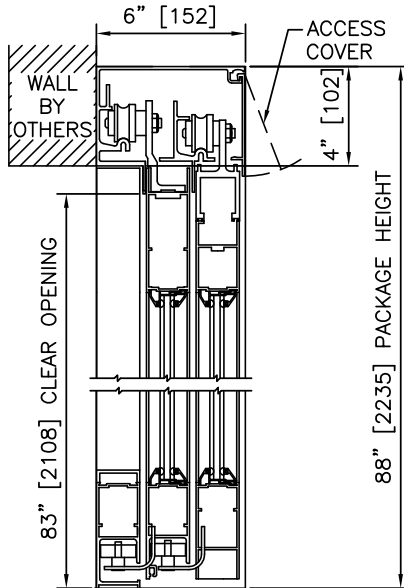
PROJECT NAME:

LOCATION:

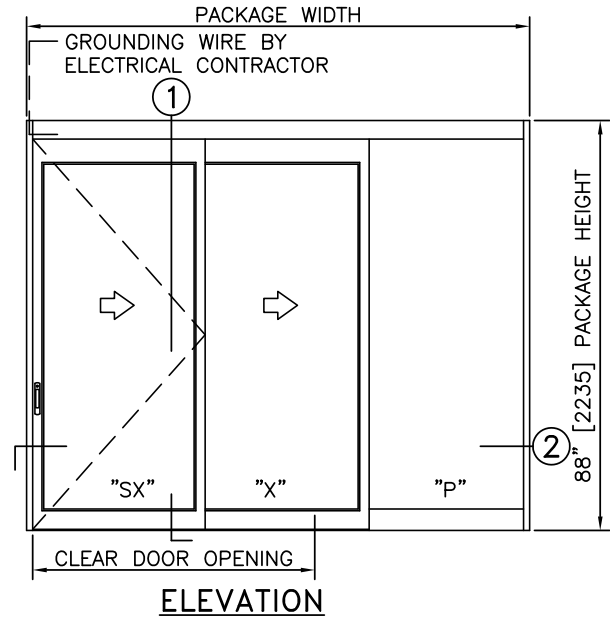
DOOR NUMBER(S):

DATE:

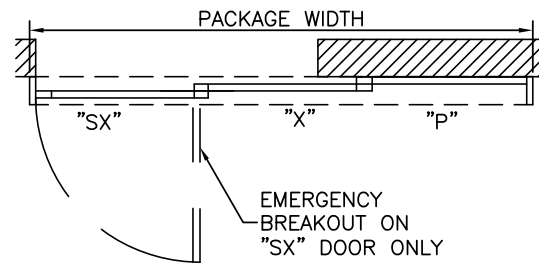
SHEET: OF



1 VERTICAL SECTION



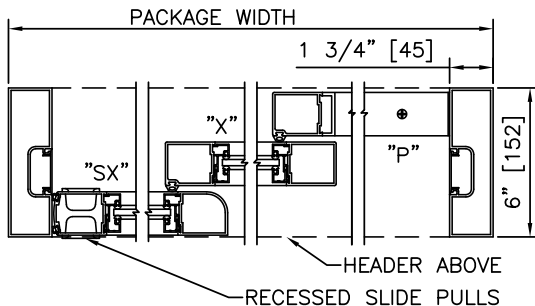
ELEVATION



PLAN

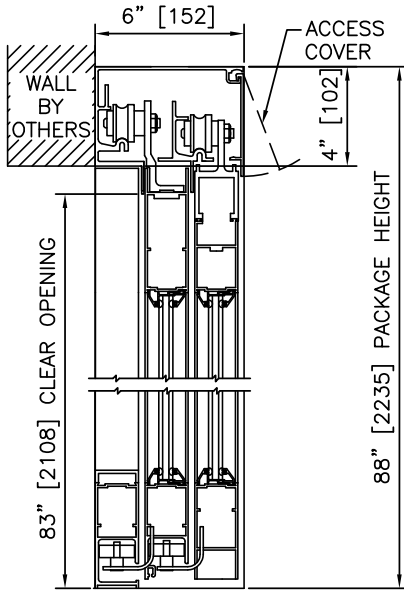
NOTES

1. PACKAGE SHALL BE GROUNDED TO BUILDING GROUND SYSTEM. GROUNDING WIRE BY ELECTRICAL CONTRACTOR.
2. ROUGH OPENING SHALL PROVIDE 1/4"[6] SHIM SPACE ON SIDES AND TOP OF PACKAGE.
3. STANDARD PACKAGE EXCLUDES LATCHING OR LOCKING. POSITIVE LATCHING AND LOCKING SYSTEMS AVAILABLE.
4. SEE SPECIFICATIONS FOR ADDITIONAL INFORMATION.

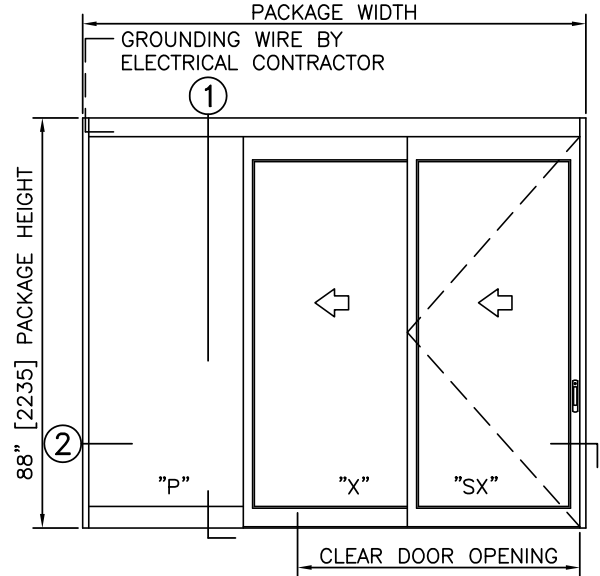


2 HORIZONTAL SECTION

TYPICAL PACKAGE DIMENSIONS (NARROW STILE)				
PACKAGE WIDTH	NOMINAL CLEAR DOOR OPENING	"SX", "O" PANEL NOMINAL WIDTH	"X" PANEL NOMINAL WIDTH	EMERGENCY BREAKOUT NOM. WIDTH
84"	44.6"	28.5"	28.4"	26.0"
96"	52.6"	32.5"	32.4"	30.0"
108"	60.6"	36.5"	36.4"	34.0"



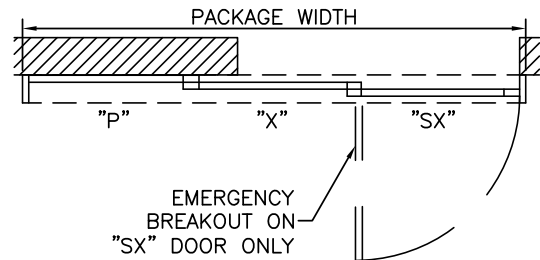
1 VERTICAL SECTION



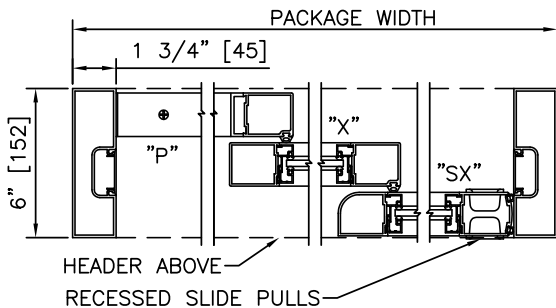
ELEVATION

NOTES

1. PACKAGE SHALL BE GROUNDED TO BUILDING GROUND SYSTEM. GROUNDING WIRE BY ELECTRICAL CONTRACTOR.
2. ROUGH OPENING SHALL PROVIDE 1/4" [6] SHIM SPACE ON SIDES AND TOP OF PACKAGE.
3. STANDARD PACKAGE EXCLUDES LATCHING OR LOCKING. POSITIVE LATCHING AND LOCKING SYSTEMS AVAILABLE.
4. SEE SPECIFICATIONS FOR ADDITIONAL INFORMATION.



PLAN



2 HORIZONTAL SECTION

TYPICAL PACKAGE DIMENSIONS (NARROW STILE)				
PACKAGE WIDTH	NOMINAL CLEAR DOOR OPENING	"SX", "O" PANEL NOMINAL WIDTH	"X" PANEL NOMINAL WIDTH	EMERGENCY BREAKOUT NOM. WIDTH
84"	44.6"	28.5"	28.4"	26.0"
96"	52.6"	32.5"	32.4"	30.0"
108"	60.6"	36.5"	36.4"	34.0"

DURA-CARE™
7500TL
SERIES

3-PANEL TELESCOPING RIGHT HAND TRACKLESS, SMOKE & DRAFT, SURFACE APPLIED

PROJECT INFORMATION

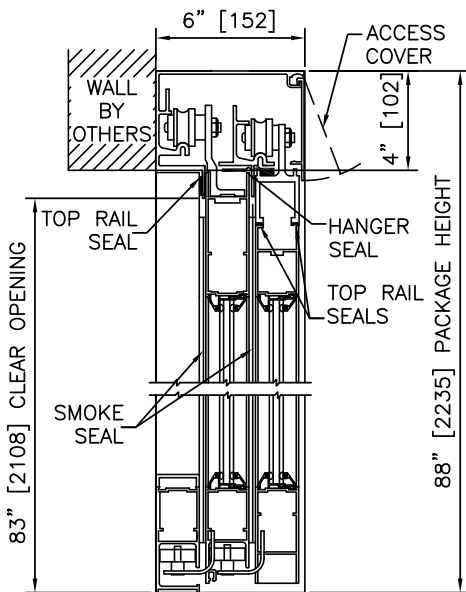
PROJECT NAME:

LOCATION:

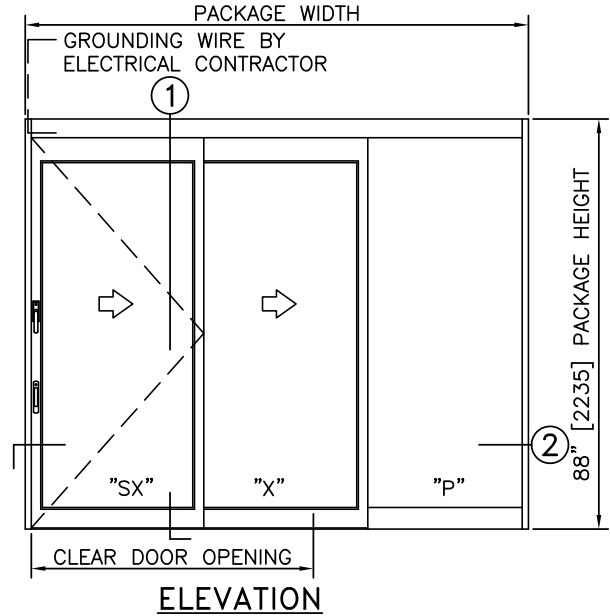
DOOR NUMBER(S):

DATE:

SHEET: OF



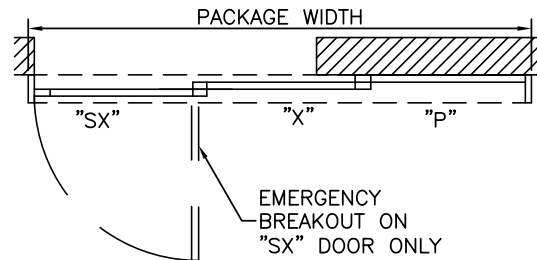
① VERTICAL SECTION



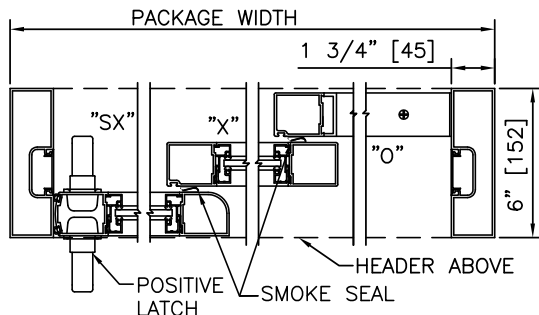
ELEVATION

NOTES

1. PACKAGE SHALL BE GROUNDED TO BUILDING GROUND SYSTEM. GROUNDING WIRE BY ELECTRICAL CONTRACTOR.
2. ROUGH OPENING SHALL PROVIDE 1/4\"[6] SHIM SPACE ON SIDES AND TOP OF PACKAGE.
3. STANDARD PACKAGE EXCLUDES LATCHING OR LOCKING. POSITIVE LATCHING AND LOCKING SYSTEMS AVAILABLE.
4. PRODUCT IS CERTIFIED AS AN EFFECTIVE BARRIER AGAINST THE PASSAGE OF SMOKE IN ACCORDANCE WITH UL1784.
5. SEE SPECIFICATIONS FOR ADDITIONAL INFORMATION.



PLAN



② HORIZONTAL SECTION

TYPICAL PACKAGE DIMENSIONS (NARROW STILE)				
PACKAGE WIDTH	NOMINAL CLEAR DOOR OPENING	"SX", "O" PANEL NOMINAL WIDTH	"X" PANEL NOMINAL WIDTH	EMERGENCY BREAKOUT NOM. WIDTH
84"	44.6"	28.5"	28.4"	26.0"
96"	52.6"	32.5"	32.4"	30.0"
108"	60.6"	36.5"	36.4"	34.0"

DURA-CARE™
7500TL
SERIES

3-PANEL TELESCOPING LEFT HAND TRACKLESS, SMOKE & DRAFT, SURFACE APPLIED

PROJECT INFORMATION

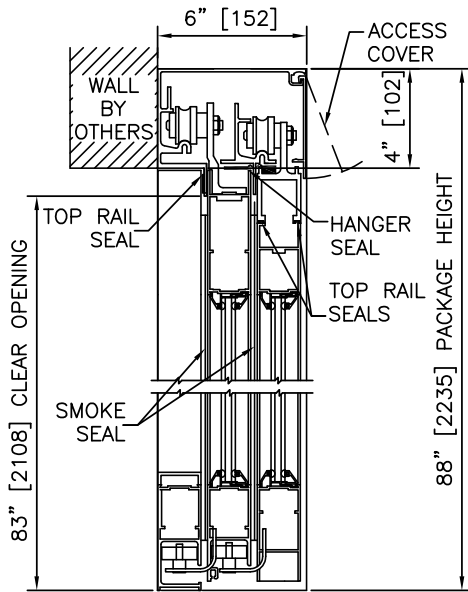
PROJECT NAME:

LOCATION:

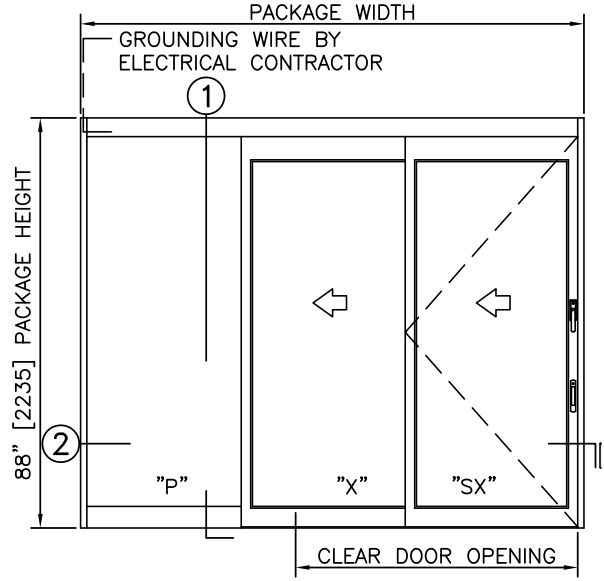
DOOR NUMBER(S):

DATE:

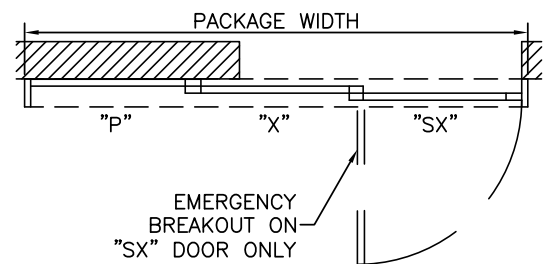
SHEET: OF



1 VERTICAL SECTION



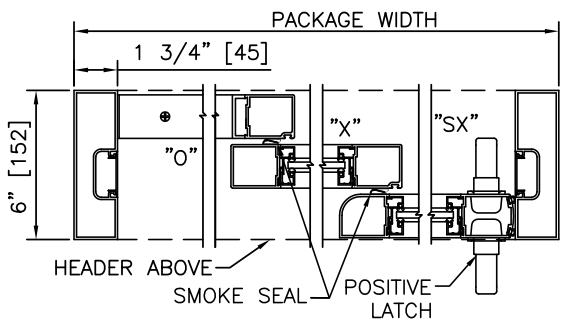
ELEVATION



PLAN

NOTES

1. PACKAGE SHALL BE GROUNDED TO BUILDING GROUND SYSTEM. GROUNDING WIRE BY ELECTRICAL CONTRACTOR.
2. ROUGH OPENING SHALL PROVIDE 1/4" [6] SHIM SPACE ON SIDES AND TOP OF PACKAGE.
3. STANDARD PACKAGE EXCLUDES LATCHING OR LOCKING. POSITIVE LATCHING AND LOCKING SYSTEMS AVAILABLE.
4. PRODUCT IS CERTIFIED AS AN EFFECTIVE BARRIER AGAINST THE PASSAGE OF SMOKE IN ACCORDANCE WITH UL1784.
5. SEE SPECIFICATIONS FOR ADDITIONAL INFORMATION.



2 HORIZONTAL SECTION

TYPICAL PACKAGE DIMENSIONS (NARROW STILE)				
PACKAGE WIDTH	NOMINAL CLEAR DOOR OPENING	"SX", "O" PANEL NOMINAL WIDTH	"X" PANEL NOMINAL WIDTH	EMERGENCY BREAKOUT NOM. WIDTH
84"	44.6"	28.5"	28.4"	26.0"
96"	52.6"	32.5"	32.4"	30.0"
108"	60.6"	36.5"	36.4"	34.0"