



## SLIDING MANUAL ENTRANCES: DURA-CARE™ 7500 SERIES, 6 PANEL, TRACKLESS

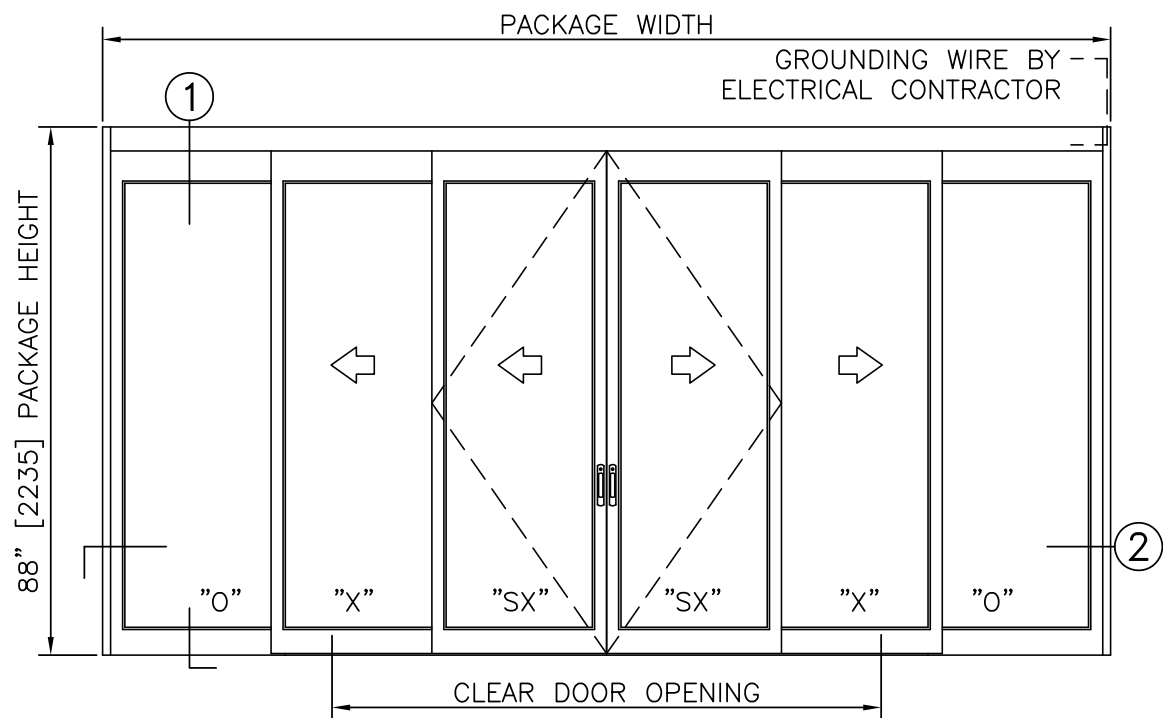
### 3.11 - 6 PANEL, TELESCOPIC, TRACKLESS

- 3.11.01 - TRACKLESS
- 3.11.02 - TRACKLESS, SURFACE APPLIED

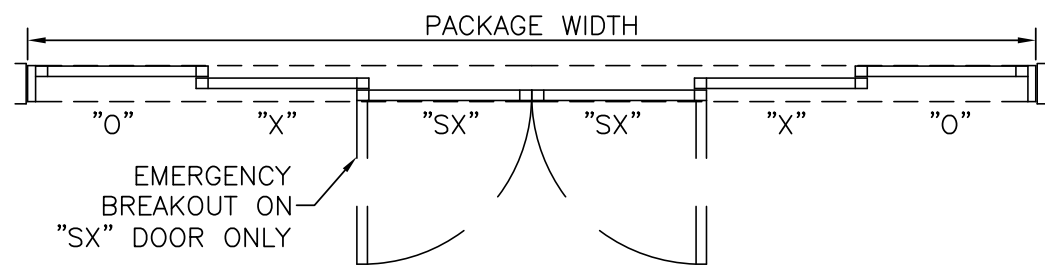


**DURA-CARE™**  
**7500TL**  
**SERIES**

6-PANEL TELESCOPIC TRACKLESS	
PROJECT INFORMATION	
PROJECT NAME:	
LOCATION:	
DOOR NUMBER(S):	
DATE:	SHEET: OF

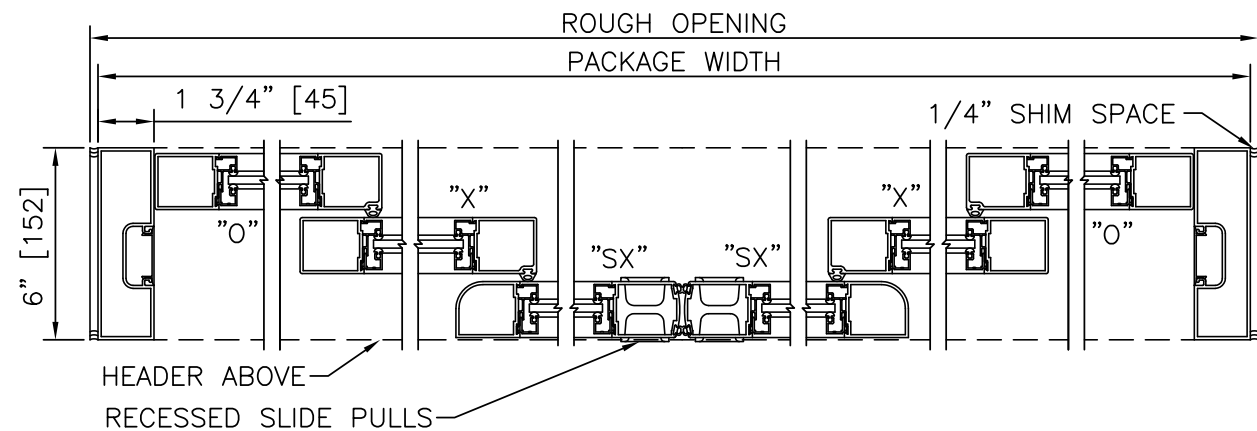


**ELEVATION VIEW**  
SCALE: 3/8" = 1'-0"

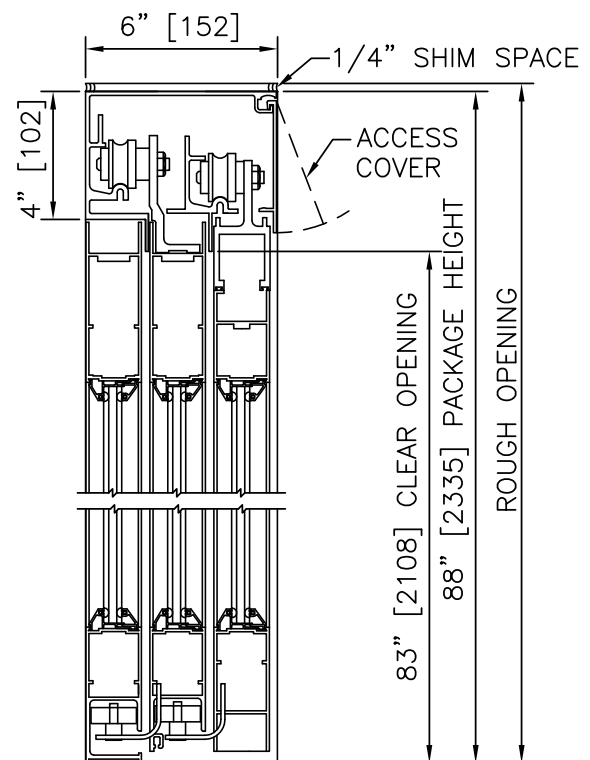


**PLAN VIEW**  
SCALE: 3/8" = 1'-0"

- NOTES**
- PACKAGE SHALL BE GROUNDED TO BUILDING GROUND SYSTEM. GROUNDING WIRE BY ELECTRICAL CONTRACTOR.
  - ROUGH OPENING SHALL PROVIDE 1/4"[6] SHIM SPACE ON SIDES AND TOP OF PACKAGE.
  - STANDARD PACKAGE EXCLUDES LATCHING OR LOCKING. LOCKING SYSTEMS AVAILABLE.
  - STANDARD GLAZING STOPS FOR ALL PANELS ARE 1/4"[6]; 5/8"[16] AND 1"[25] AVAILABLE.
  - STANDARD STILES, AND BOTTOM RAILS SHOWN; MEDIUM STILES, BOTTOM RAILS TO 12"[305], AND MUNTINS AVAILABLE.
  - SEE SPECIFICATIONS FOR ADDITIONAL INFORMATION.



**HORIZONTAL SECTION**  
SCALE: 2" = 1'-0"



**LEFT HAND & RIGHT HAND**  
**VERTICAL SECTION**  
SCALE: 2" = 1'-0"

**PRODUCT OPTIONS**

- FINISH**
- ANODIZED CLEAR CL2
  - ANODIZED DK BRONZE
  - CUSTOM
- LATCHING/LOCKING**
- 1-POINT
  - 2-POINT
  - 3-POINT
- STILES**
- NARROW
  - MEDIUM
- BOTTOM RAILS**
- STANDARD 4"
  - OPTIONAL 6" 8" 10" 12"
- MUNTINS**
- OPTIONAL 2" 4 1/4"

**6-PANEL TELESCOPIC FORMULAS – NARROW STILE**  
 PACKAGE WIDTH = 3/2 CLEAR DOOR OPENING + 30.7"  
 CLEAR DOOR OPENING = 2/3 PACKAGE WIDTH - 20.5"  
 EMERGENCY BREAKOUT WIDTH = 2 X DOOR PANEL WIDTH - 5.1"  
 DOOR PANEL WIDTH (SX, O) = 1/6 PACKAGE WIDTH + 1.1"  
 DOOR PANEL WIDTH (X) = 1/6 PACKAGE WIDTH + 1.0"

**6-PANEL TELESCOPIC FORMULAS – MEDIUM STILE**  
 PACKAGE WIDTH = 3/2 CLEAR DOOR OPENING + 42.7"  
 CLEAR DOOR OPENING = 2/3 PACKAGE WIDTH - 28.5"  
 EMERGENCY BREAKOUT WIDTH = 2 X DOOR PANEL WIDTH - 8.3"  
 DOOR PANEL WIDTH (ALL) = 1/6 PACKAGE WIDTH + 2.1"

TYPICAL PACKAGE DIMENSIONS (NARROW STILE)			
PACKAGE WIDTH	NOMINAL CLEAR DOOR OPENING	SLIDING DOOR PANEL NOMINAL WIDTH	EMERGENCY BREAKOUT NOM. WIDTH
120"	59.5"	21.0"	37.1"
144"	75.5"	25.0"	45.1"
168"	91.5"	29.0"	53.1"

**6-PANEL TELESCOPIC TRACKLESS**

**DURA-CARE™**  
**7500TL**  
**SERIES**

**DURA-CARE™**  
**7500TL**  
**SERIES**

6-PANEL TELESCOPING TRACKLESS

PROJECT INFORMATION

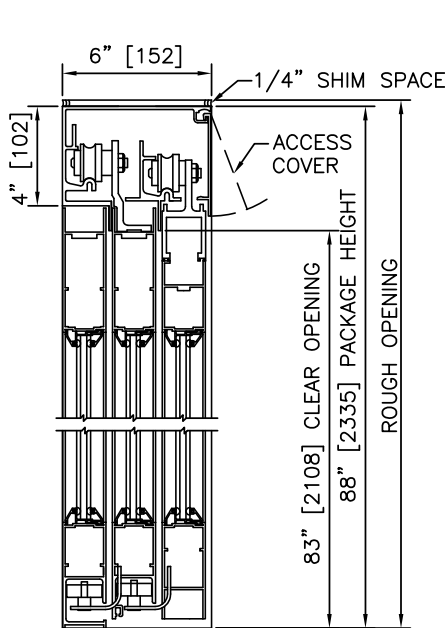
PROJECT NAME:

LOCATION:

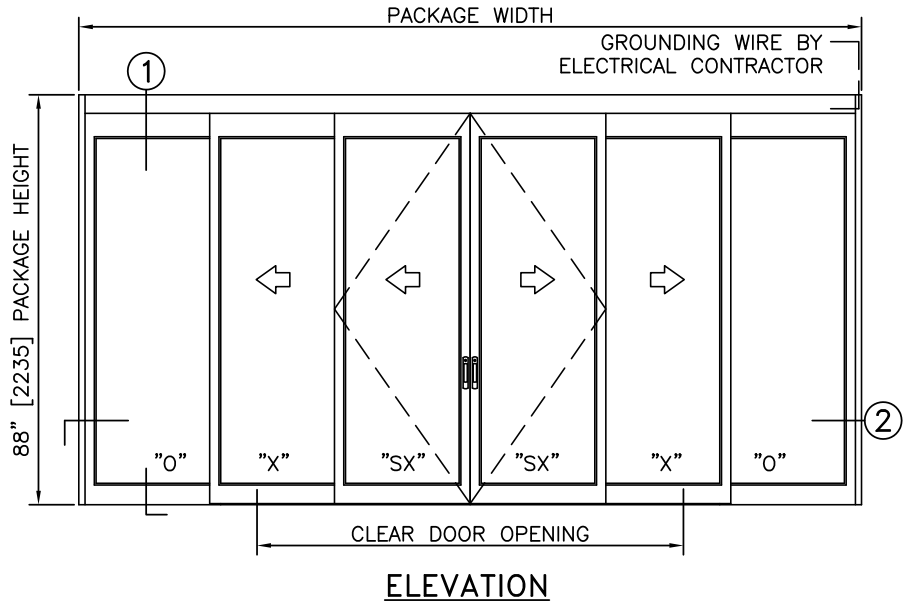
DOOR NUMBER(S):

DATE:

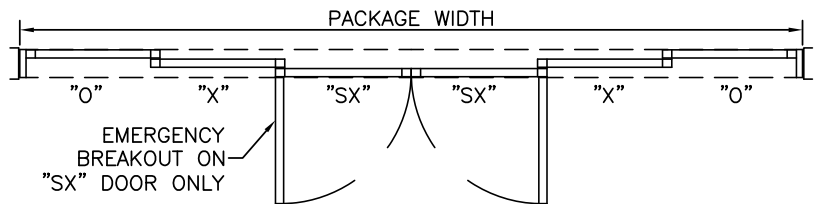
SHEET: OF



1 VERTICAL SECTION



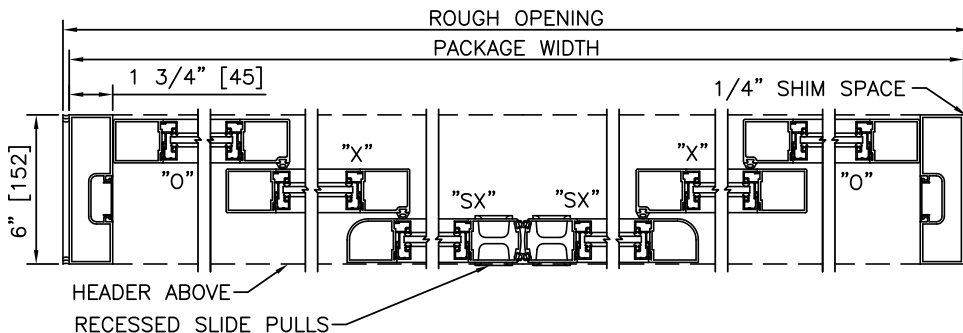
ELEVATION



PLAN

**NOTES**

1. PACKAGE SHALL BE GROUNDED TO BUILDING GROUND SYSTEM. GROUNDING WIRE BY ELECTRICAL CONTRACTOR.
2. ROUGH OPENING SHALL PROVIDE 1/4"[6] SHIM SPACE ON SIDES AND TOP OF PACKAGE.
3. STANDARD PACKAGE EXCLUDES LATCHING OR LOCKING. LOCKING SYSTEMS AVAILABLE.
4. SEE SPECIFICATIONS FOR ADDITIONAL INFORMATION.



2 HORIZONTAL SECTION

TYPICAL PACKAGE DIMENSIONS (NARROW STILE)

PACKAGE WIDTH	NOMINAL CLEAR DOOR OPENING	SLIDING DOOR PANEL NOMINAL WIDTH	EMERGENCY BREAKOUT NOM. WIDTH
120"	59.5"	21.0"	37.1"
144"	75.5"	25.0"	45.1"
168"	91.5"	29.0"	53.1"

**DURA-CARE™**  
**7500TL**  
**SERIES**

6-PANEL TELESCOPING TRACKLESS, SURFACE APPLIED

PROJECT INFORMATION

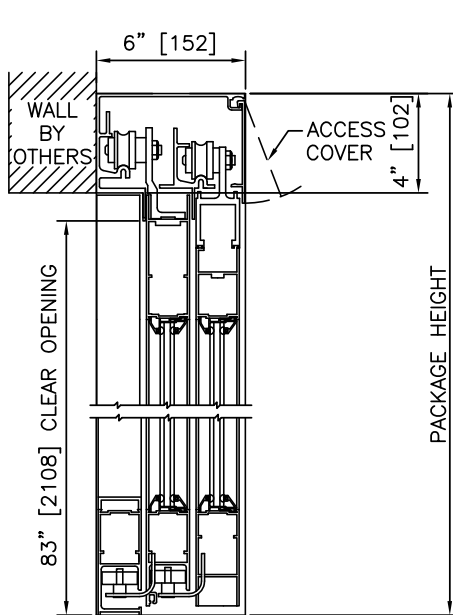
PROJECT NAME:

LOCATION:

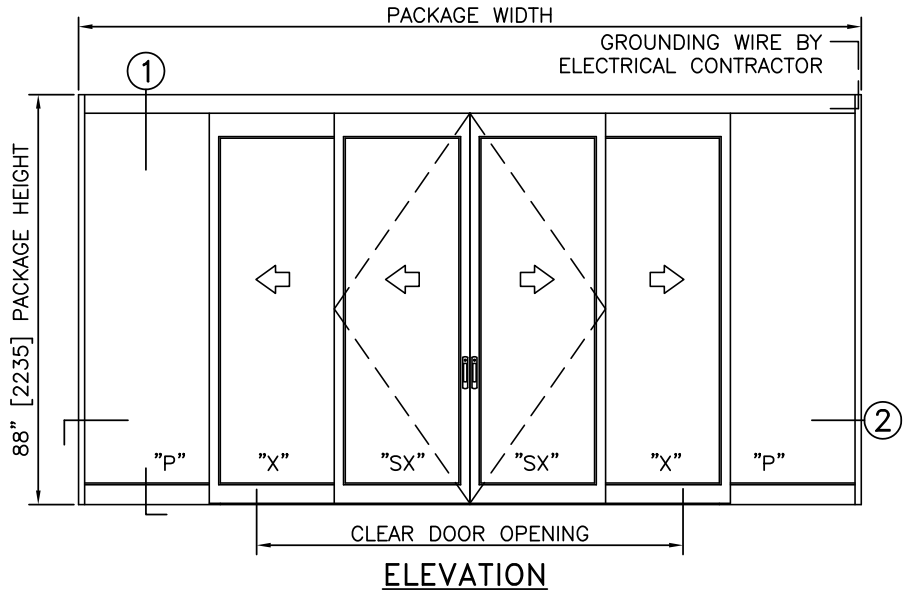
DOOR NUMBER(S):

DATE:

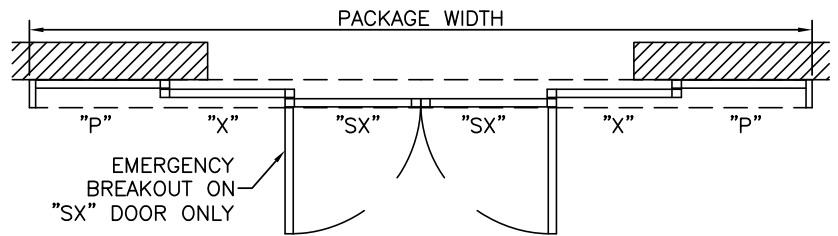
SHEET: OF



① VERTICAL SECTION



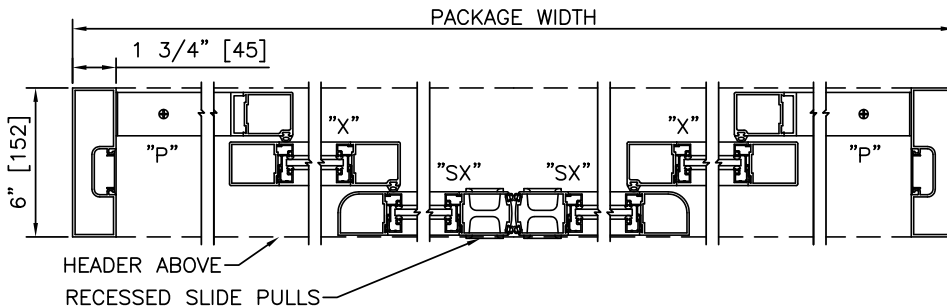
ELEVATION



PLAN

**NOTES**

1. PACKAGE SHALL BE GROUNDED TO BUILDING GROUND SYSTEM. GROUNDING WIRE BY ELECTRICAL CONTRACTOR.
2. ROUGH OPENING SHALL PROVIDE 1/4" [6] SHIM SPACE ON SIDES AND TOP OF PACKAGE.
3. STANDARD PACKAGE EXCLUDES LATCHING OR LOCKING. LOCKING SYSTEMS AVAILABLE.
4. SEE SPECIFICATIONS FOR ADDITIONAL INFORMATION.



② HORIZONTAL SECTION

TYPICAL PACKAGE DIMENSIONS (NARROW STILE)

PACKAGE WIDTH	NOMINAL CLEAR DOOR OPENING	SLIDING DOOR PANEL NOMINAL WIDTH	EMERGENCY BREAKOUT NOM. WIDTH
120"	59.5"	21.0"	37.1"
144"	75.5"	25.0"	45.1"
168"	91.5"	29.0"	53.1"