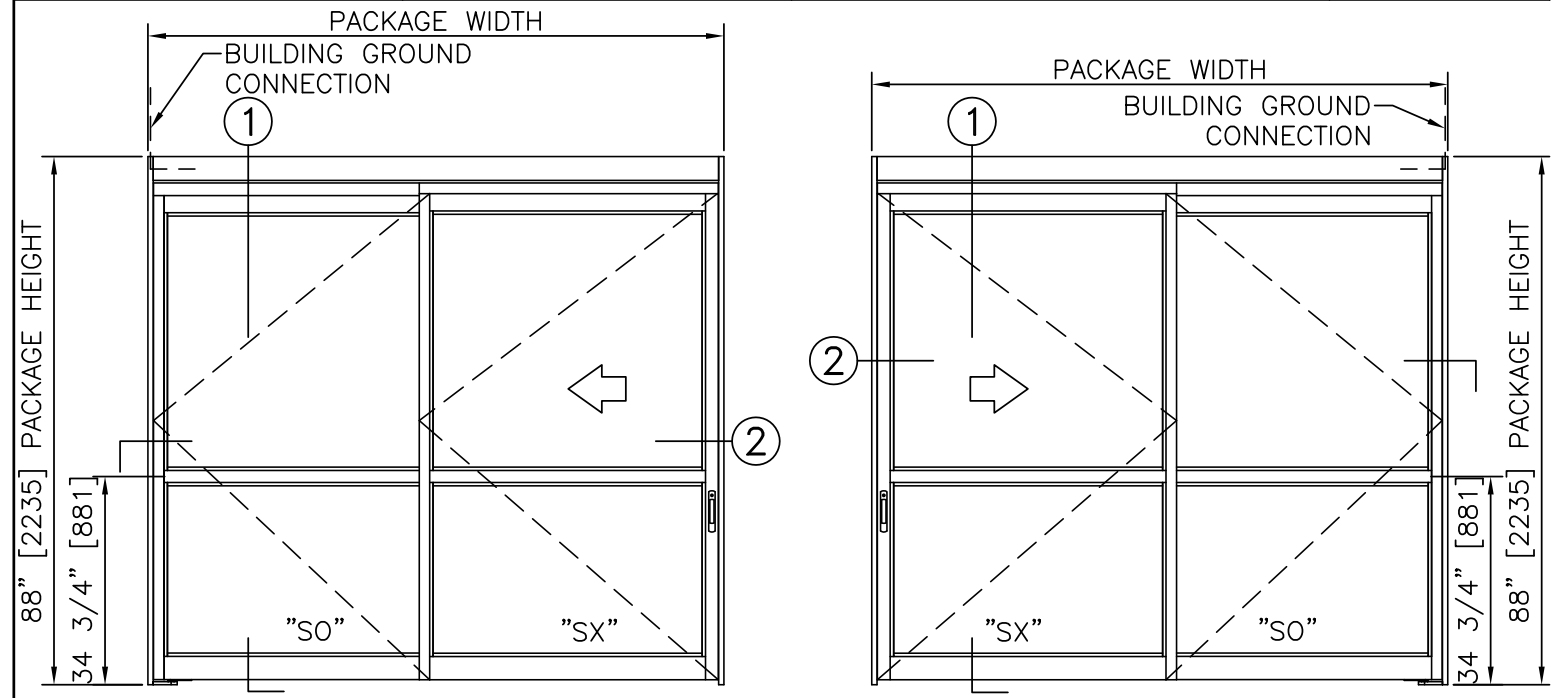


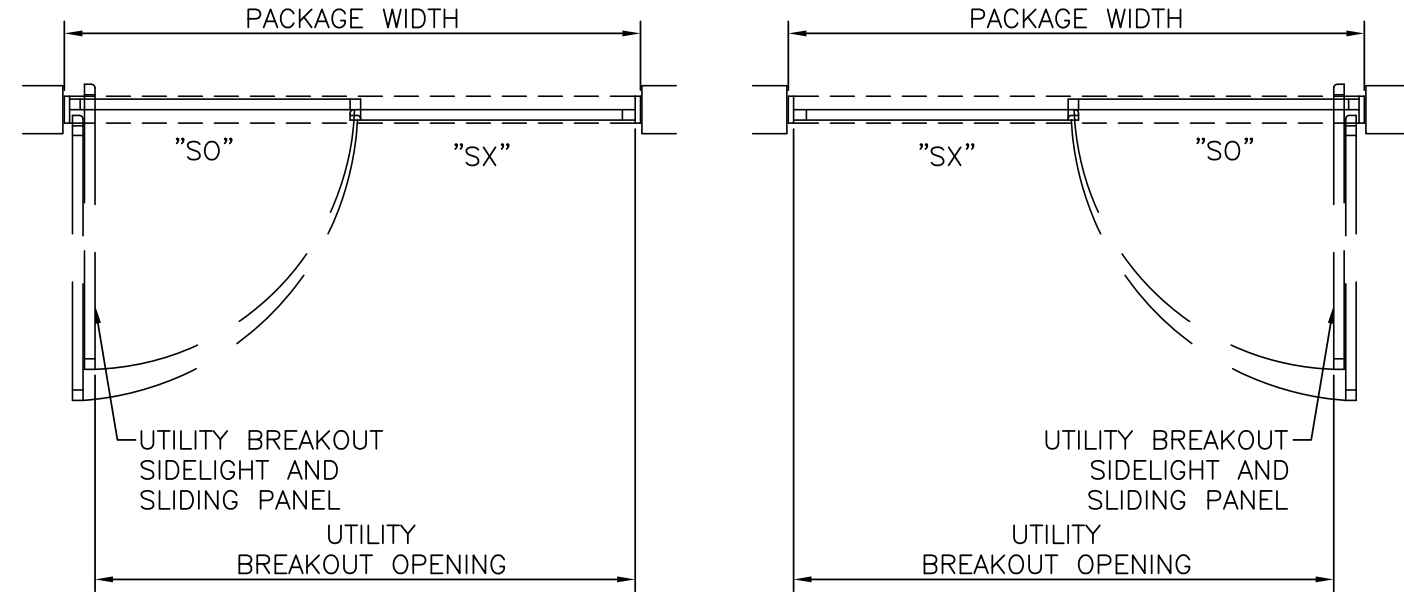


# DURA-CARE™ 7300TL-FBO SERIES

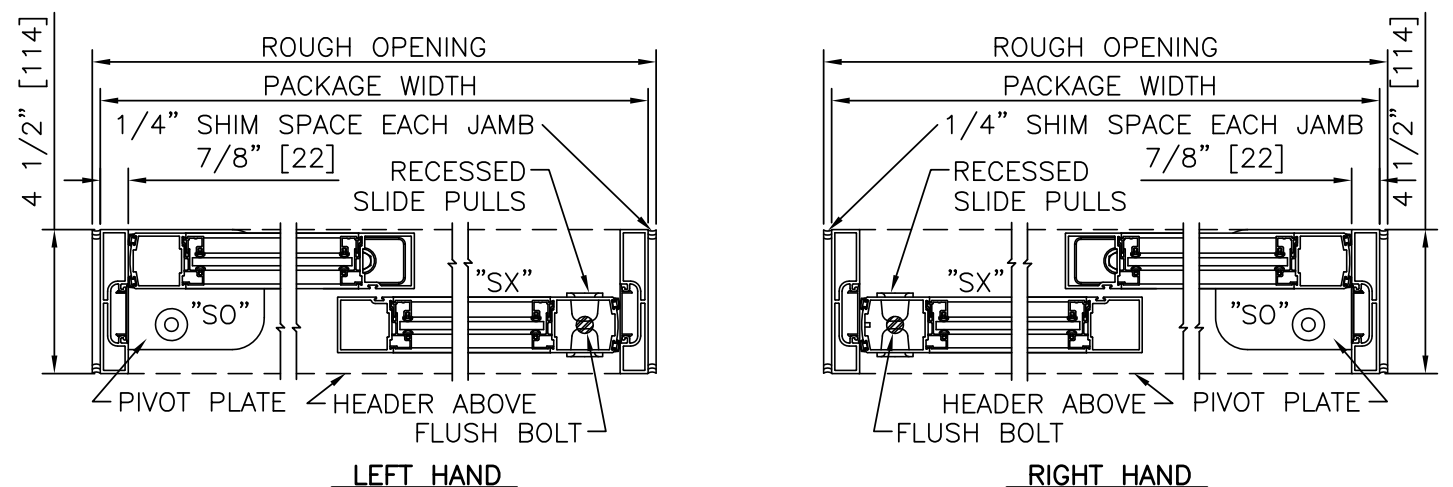
SINGLE SLIDE TRACKLESS	
PROJECT INFORMATION	
PROJECT NAME:	
LOCATION:	
DOOR NUMBER(S):	
DATE:	SHEET: OF



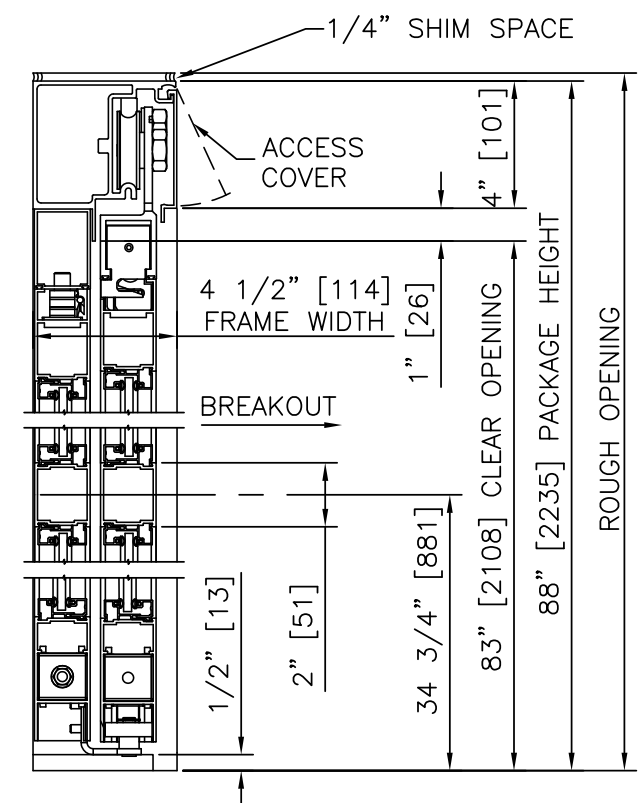
**ELEVATION VIEW**  
SCALE: 3/8" = 1'-0"



**PLAN VIEW**  
SCALE: 3/8" = 1'-0"



**HORIZONTAL SECTION**  
SCALE: 2" = 1'-0"



**VERTICAL SECTION**  
SCALE: 2" = 1'-0"

- PRODUCT OPTIONS**
- FINISH**
- ANODIZED CLEAR CL2
  - CUSTOM
- LATCHING/LOCKING**
- POSITIVE LATCH
  - 1-POINT
- BOTTOM RAILS**
- STANDARD 4"
  - OPTIONAL 6" 8" 10" 12"
- OTHER OPTIONS**
- SMOKE AND DRAFT CONTROL
  - SWEEPS (+/- PRESSURE APPLICATIONS)
  - ANTI-MICROBIAL COATING
  - TOUCH POINTS
  - PANELS, FRAME, HEADER
  - SELF CLOSING (SLIDING)

**SINGLE SLIDE FORMULAS**  
 PACKAGE WIDTH = 2 X CLEAR DOOR OPENING + 7.6"[194]  
 CLEAR DOOR OPENING = 1/2 PACKAGE WIDTH - 3.8"[97]  
 UTILITY BREAKOUT WIDTH = PACKAGE WIDTH - 6.0"[152]  
 SX DOOR PANEL WIDTH = 1/2 PACKAGE WIDTH + 1.6"[41]  
 SO DOOR PANEL WIDTH = 1/2 PACKAGE WIDTH - 1.3"[32]

TYPICAL PACKAGE DIMENSIONS				
PACKAGE WIDTH	NOMINAL CLEAR DOOR OPENING	SLIDING DOOR NOMINAL WIDTH	SIDELIGHT NOMINAL WIDTH	UTILITY BREAKOUT NOMINAL WIDTH
84" [2134]	38.2" [970]	43.6" [1108]	40.8" [1035]	78.0" [1981]
96" [2438]	44.2" [1122]	49.6" [1260]	46.8" [1187]	90.0" [2286]
108" [2743]	50.2" [1275]	55.6" [1413]	52.8" [1340]	102.0" [2591]

**SINGLE SLIDE TRACKLESS**

**DURA-CARE™**  
**7300TL-FBO**  
**SERIES**

- NOTES**
- CONNECTION TO BUILDING GROUND BY ELECTRICAL CONTRACTOR.
  - ROUGH OPENING SHALL PROVIDE 1/4"[6] SHIM SPACE ON SIDES AND TOP OF PACKAGE.
  - STANDARD PACKAGE EXCLUDES LATCHING OR LOCKING. POSITIVE LATCHING AND LOCKING SYSTEMS AVAILABLE; POSITIVE LATCHING INCLUDED ON LEAKAGE RATED ASSEMBLIES.
  - STANDARD GLAZING STOPS FOR ALL PANELS ARE 1/4"[6]; 5/8"[16] AND 1"[25] AVAILABLE. CONSULT FACTORY WHEN USING GLASS OTHER THAN 1/4"[6].
  - STANDARD STILES, BOTTOM RAILS AND MUNTINS SHOWN; BOTTOM RAILS TO 18"[457], AND 4 1/4"[108] MUNTINS AVAILABLE.
  - SEE SPECIFICATIONS FOR ADDITIONAL INFORMATION.

**DURA-CARE™**  
**7300TL-FBO**  
**SERIES**

SINGLE SLIDE RIGHT HAND TRACKLESS

PROJECT INFORMATION

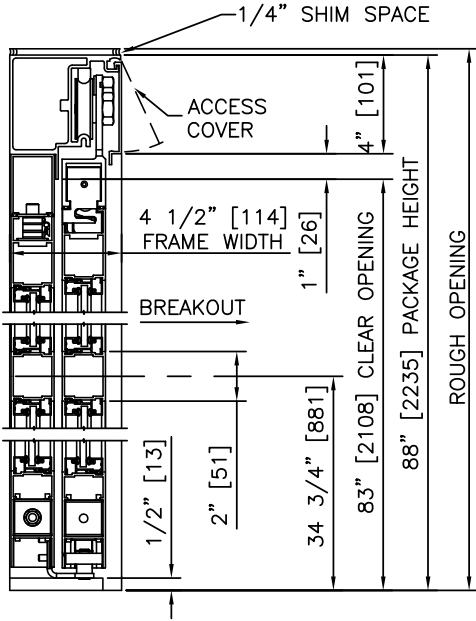
PROJECT NAME:

LOCATION:

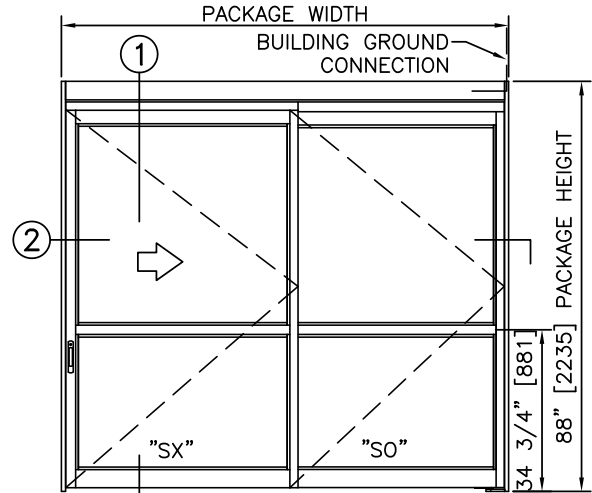
DOOR NUMBER(S):

DATE:

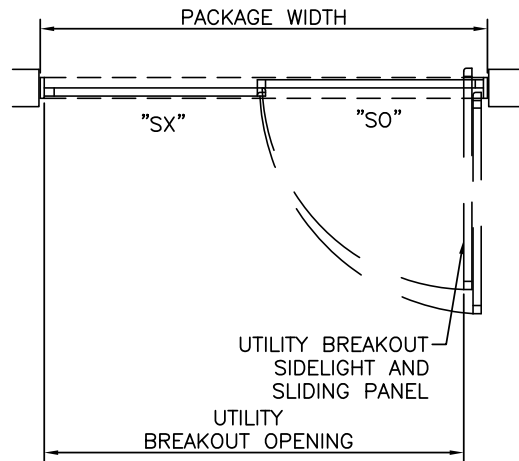
SHEET: OF



① VERTICAL SECTION



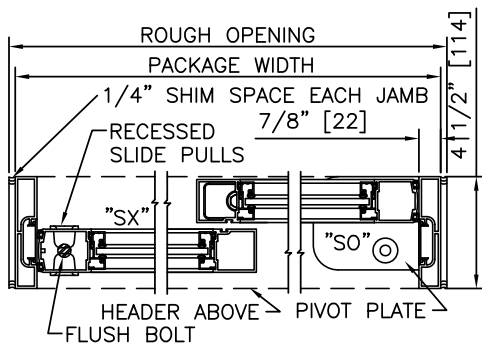
ELEVATION



PLAN

NOTES

1. CONNECTION TO BUILDING GROUND BY ELECTRICAL CONTRACTOR.
2. ROUGH OPENING SHALL PROVIDE 1/4"[6] SHIM SPACE ON SIDES AND TOP OF PACKAGE.
3. STANDARD PACKAGE EXCLUDES LATCHING OR LOCKING. POSITIVE LATCHING AND LOCKING SYSTEMS AVAILABLE; POSITIVE LATCHING INCLUDED ON LEAKAGE RATED ASSEMBLIES.
4. SEE SPECIFICATIONS FOR ADDITIONAL INFORMATION.



② HORIZONTAL SECTION

TYPICAL PACKAGE DIMENSIONS				
PACKAGE WIDTH	NOMINAL CLEAR DOOR OPENING	SLIDING DOOR NOMINAL WIDTH	SIDELIGHT NOMINAL WIDTH	UTILITY BREAKOUT NOMINAL WIDTH
84" [2134]	38.2" [970]	43.6" [1108]	40.8" [1035]	78.0" [1981]
96" [2438]	44.2" [1122]	49.6" [1260]	46.8" [1187]	90.0" [2286]
108" [2743]	50.2" [1275]	55.6" [1413]	52.8" [1340]	102.0" [2591]

**DURA-CARE™**  
**7300TL-FBO**  
**SERIES**

SINGLE SLIDE LEFT HAND TRACKLESS

PROJECT INFORMATION

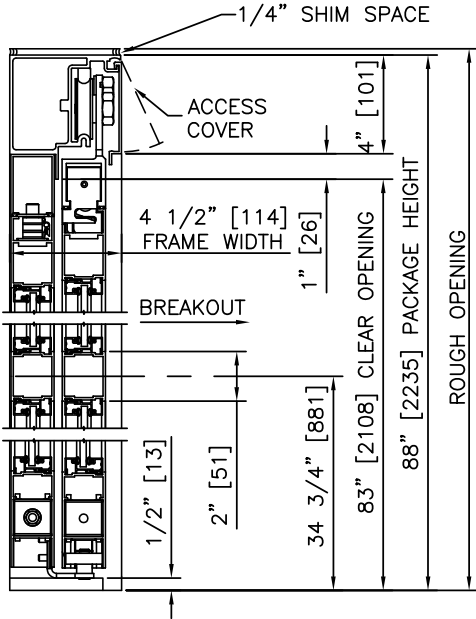
PROJECT NAME:

LOCATION:

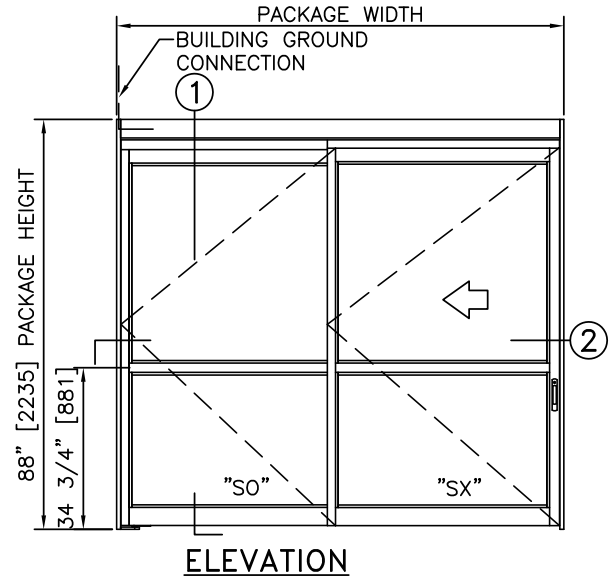
DOOR NUMBER(S):

DATE:

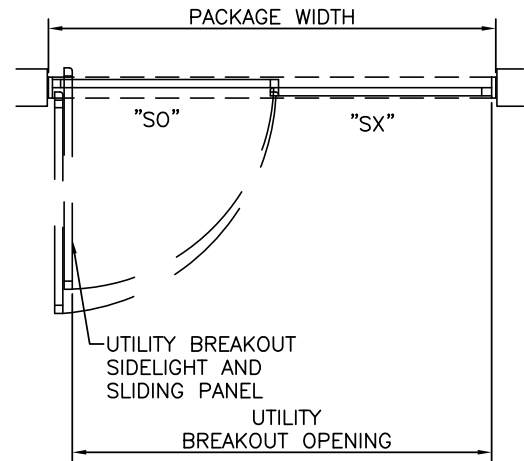
SHEET: OF



1 VERTICAL SECTION



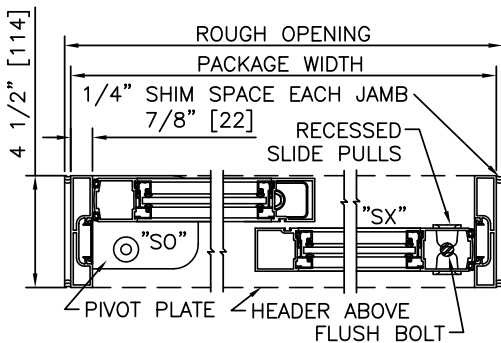
ELEVATION



PLAN

NOTES

1. CONNECTION TO BUILDING GROUND BY ELECTRICAL CONTRACTOR.
2. ROUGH OPENING SHALL PROVIDE 1/4" [6] SHIM SPACE ON SIDES AND TOP OF PACKAGE.
3. STANDARD PACKAGE EXCLUDES LATCHING OR LOCKING. POSITIVE LATCHING AND LOCKING SYSTEMS AVAILABLE; POSITIVE LATCHING INCLUDED ON LEAKAGE RATED ASSEMBLIES.
4. SEE SPECIFICATIONS FOR ADDITIONAL INFORMATION.



2 HORIZONTAL SECTION

TYPICAL PACKAGE DIMENSIONS				
PACKAGE WIDTH	NOMINAL CLEAR DOOR OPENING	SLIDING DOOR NOMINAL WIDTH	SIDELIGHT NOMINAL WIDTH	UTILITY BREAKOUT NOMINAL WIDTH
84" [2134]	38.2" [970]	43.6" [1108]	40.8" [1035]	78.0" [1981]
96" [2438]	44.2" [1122]	49.6" [1260]	46.8" [1187]	90.0" [2286]
108" [2743]	50.2" [1275]	55.6" [1413]	52.8" [1340]	102.0" [2591]

**DURA-CARE™**  
**7300TL-FBO**  
**SERIES**

SINGLE SLIDE RIGHT HAND TRACKLESS, SMOKE & DRAFT

PROJECT INFORMATION

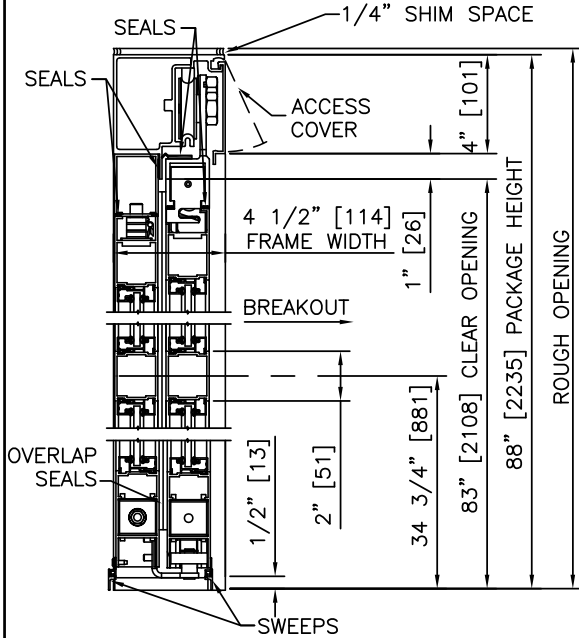
PROJECT NAME:

LOCATION:

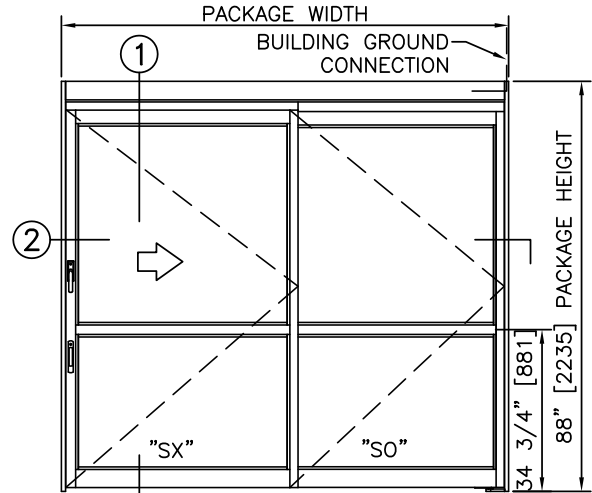
DOOR NUMBER(S):

DATE:

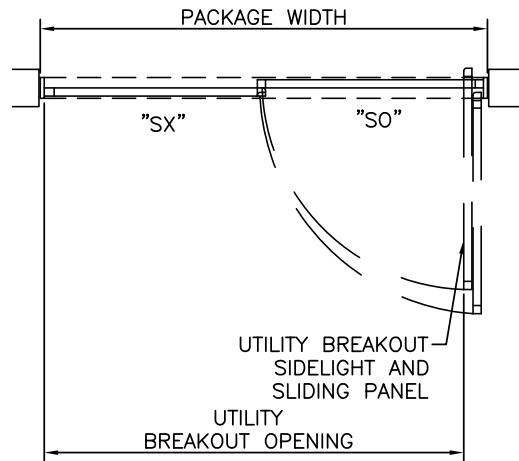
SHEET: OF



1 VERTICAL SECTION



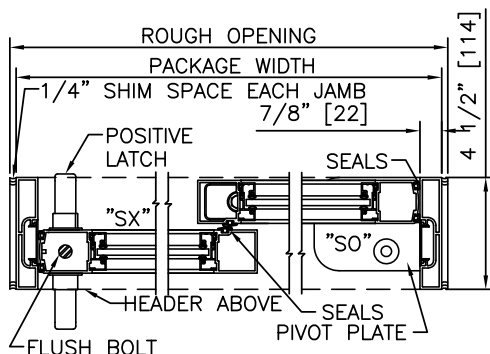
ELEVATION



PLAN

NOTES

1. CONNECTION TO BUILDING GROUND BY ELECTRICAL CONTRACTOR.
2. ROUGH OPENING SHALL PROVIDE 1/4"[6] SHIM SPACE ON SIDES AND TOP OF PACKAGE.
3. STANDARD PACKAGE EXCLUDES LATCHING OR LOCKING. POSITIVE LATCHING AND LOCKING SYSTEMS AVAILABLE; POSITIVE LATCHING INCLUDED ON LEAKAGE RATED ASSEMBLIES.
4. PRODUCT IS CERTIFIED AS AN EFFECTIVE BARRIER AGAINST THE PASSAGE OF SMOKE IN ACCORDANCE WITH UL1784.
5. SEE SPECIFICATIONS FOR ADDITIONAL INFORMATION.



2 HORIZONTAL SECTION

TYPICAL PACKAGE DIMENSIONS				
PACKAGE WIDTH	NOMINAL CLEAR DOOR OPENING	SLIDING DOOR NOMINAL WIDTH	SIDELIGHT NOMINAL WIDTH	UTILITY BREAKOUT NOMINAL WIDTH
84" [2134]	38.2" [970]	43.6" [1108]	40.8" [1035]	78.0" [1981]
96" [2438]	44.2" [1122]	49.6" [1260]	46.8" [1187]	90.0" [2286]
108" [2743]	50.2" [1275]	55.6" [1413]	52.8" [1340]	102.0" [2591]

**DURA-CARE™**  
**7300TL-FBO**  
**SERIES**

SINGLE SLIDE LEFT HAND TRACKLESS, SMOKE & DRAFT

PROJECT INFORMATION

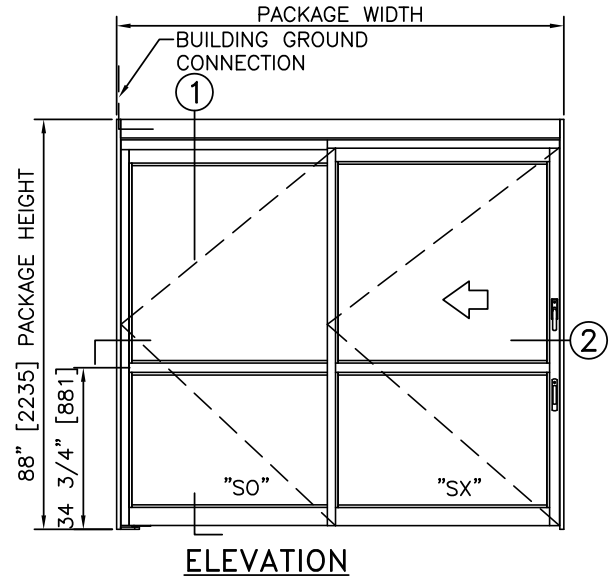
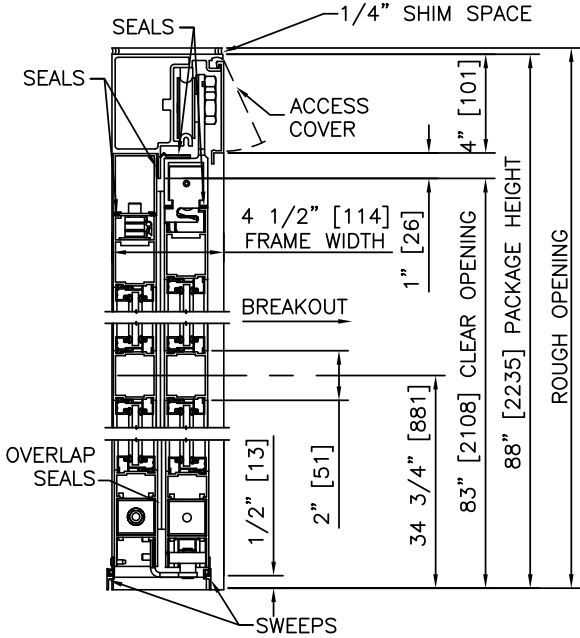
PROJECT NAME:

LOCATION:

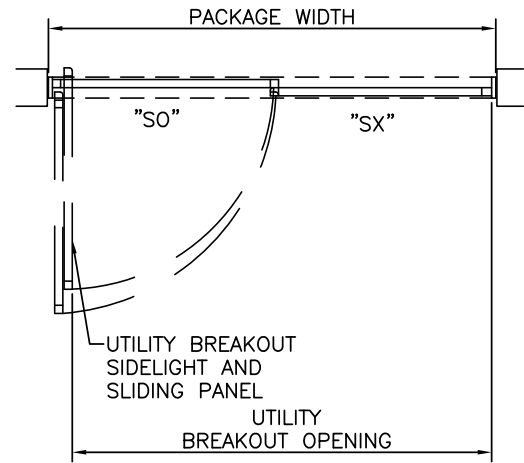
DOOR NUMBER(S):

DATE:

SHEET: OF

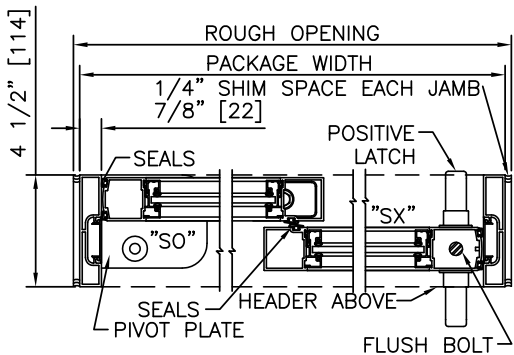


1 VERTICAL SECTION



**NOTES**

1. CONNECTION TO BUILDING GROUND BY ELECTRICAL CONTRACTOR.
2. ROUGH OPENING SHALL PROVIDE 1/4"[6] SHIM SPACE ON SIDES AND TOP OF PACKAGE.
3. STANDARD PACKAGE EXCLUDES LATCHING OR LOCKING. POSITIVE LATCHING AND LOCKING SYSTEMS AVAILABLE; POSITIVE LATCHING INCLUDED ON LEAKAGE RATED ASSEMBLIES.
4. PRODUCT IS CERTIFIED AS AN EFFECTIVE BARRIER AGAINST THE PASSAGE OF SMOKE IN ACCORDANCE WITH UL1784.
5. SEE SPECIFICATIONS FOR ADDITIONAL INFORMATION.



2 HORIZONTAL SECTION

TYPICAL PACKAGE DIMENSIONS				
PACKAGE WIDTH	NOMINAL CLEAR DOOR OPENING	SLIDING DOOR NOMINAL WIDTH	SIDELIGHT NOMINAL WIDTH	UTILITY BREAKOUT NOMINAL WIDTH
84" [2134]	38.2" [970]	43.6" [1108]	40.8" [1035]	78.0" [1981]
96" [2438]	44.2" [1122]	49.6" [1260]	46.8" [1187]	90.0" [2286]
108" [2743]	50.2" [1275]	55.6" [1413]	52.8" [1340]	102.0" [2591]