

MANUAL SLIDING ICU DOORS: DURA-CARE™ 7200 SERIES, SINGLE SLIDE

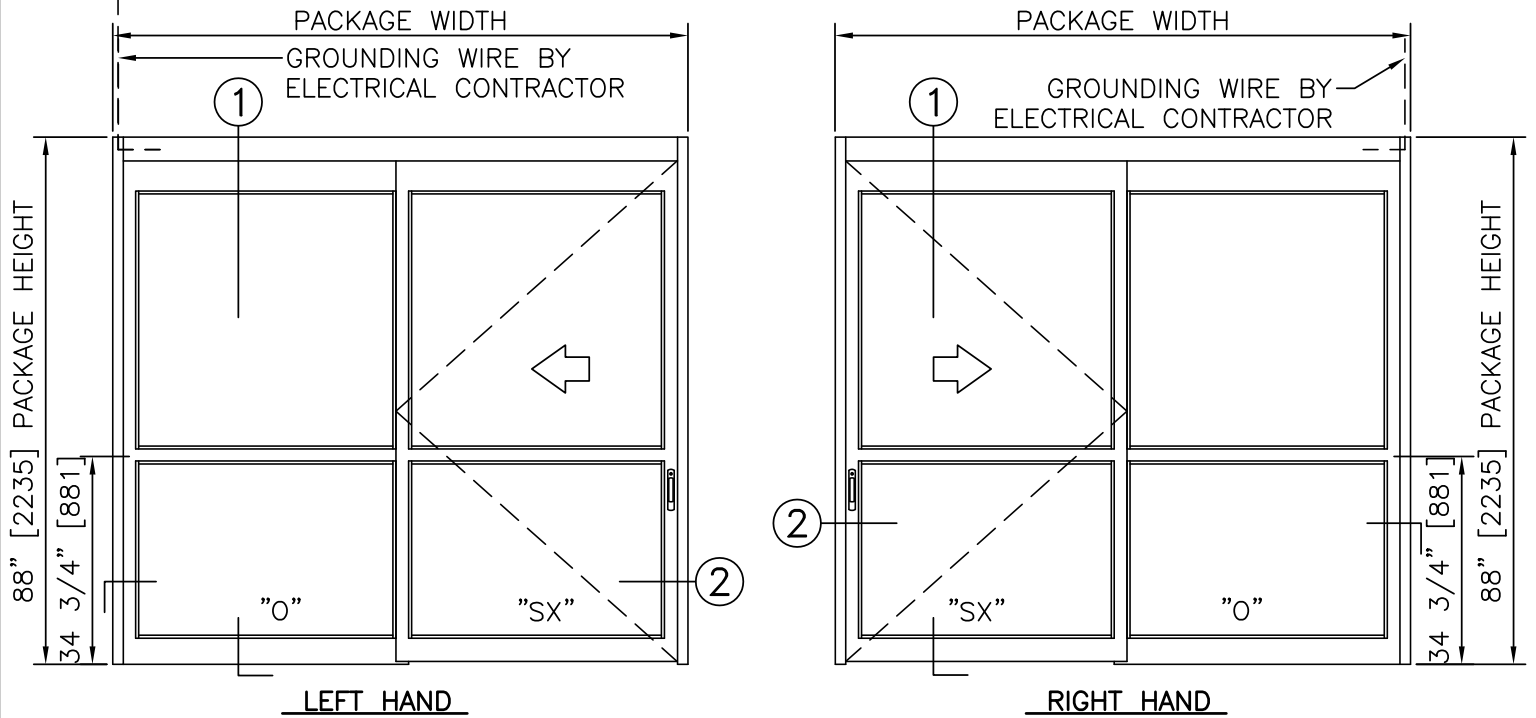
3.06 - SINGLE SLIDE, TRACKLESS

- 3.06.01 - SINGLE SLIDE, TRACKLESS, RH
- 3.06.02 - SINGLE SLIDE, TRACKLESS, LH
- 3.06.03 - SINGLE SLIDE, TRACKLESS, RH, SMOKE & DRAFT
- 3.06.04 - SINGLE SLIDE, TRACKLESS, LH, SMOKE & DRAFT
- 3.06.05 - SINGLE SLIDE, TRACKLESS, RH, SURFACE APPLIED
- 3.06.06 - SINGLE SLIDE, TRACKLESS, LH, SURFACE APPLIED
- 3.06.07 - SINGLE SLIDE, TRACKLESS, RH, SMOKE & DRAFT, SURFACE APPLIED
- 3.06.08 - SINGLE SLIDE, TRACKLESS, LH, SMOKE & DRAFT, SURFACE APPLIED

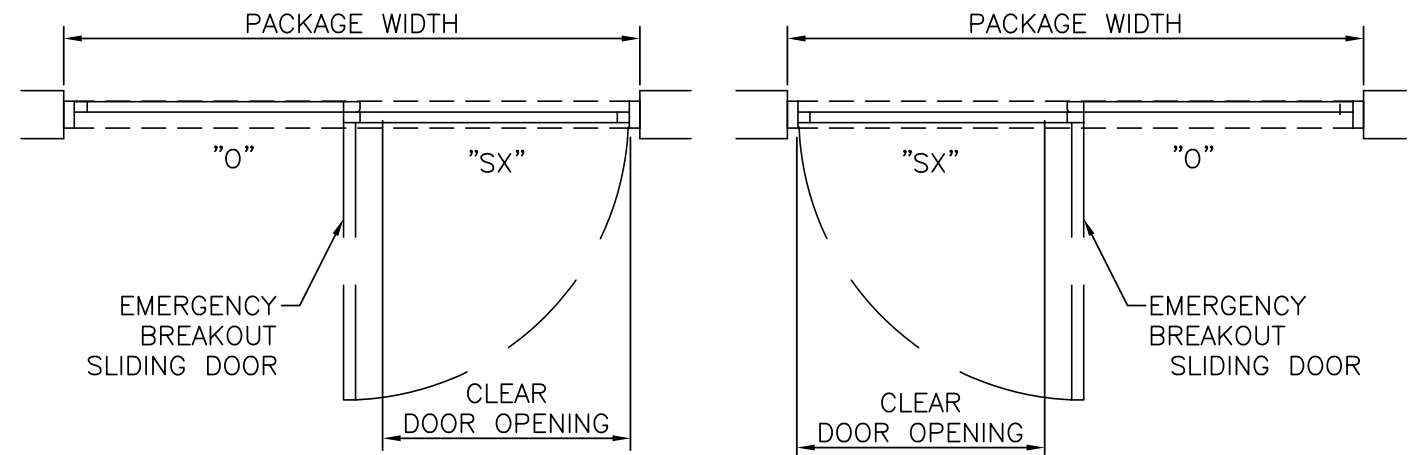


DURA-CARE™
7200
SERIES

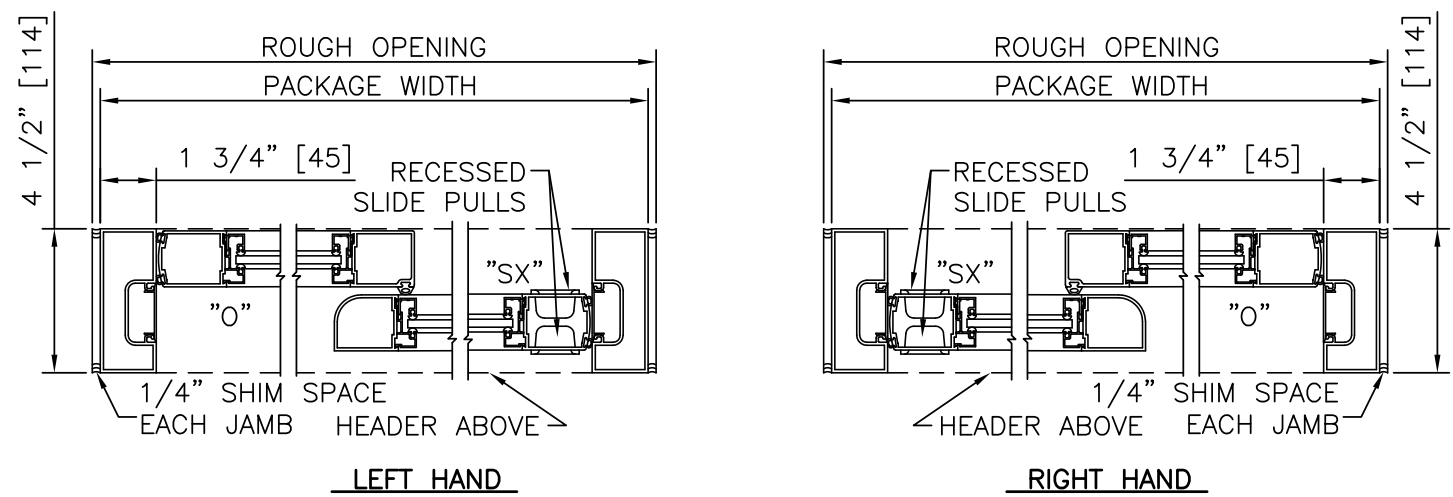
SINGLE SLIDE TRACKLESS	
PROJECT INFORMATION	
PROJECT NAME:	
LOCATION:	
DOOR NUMBER(S):	
DATE:	SHEET: OF



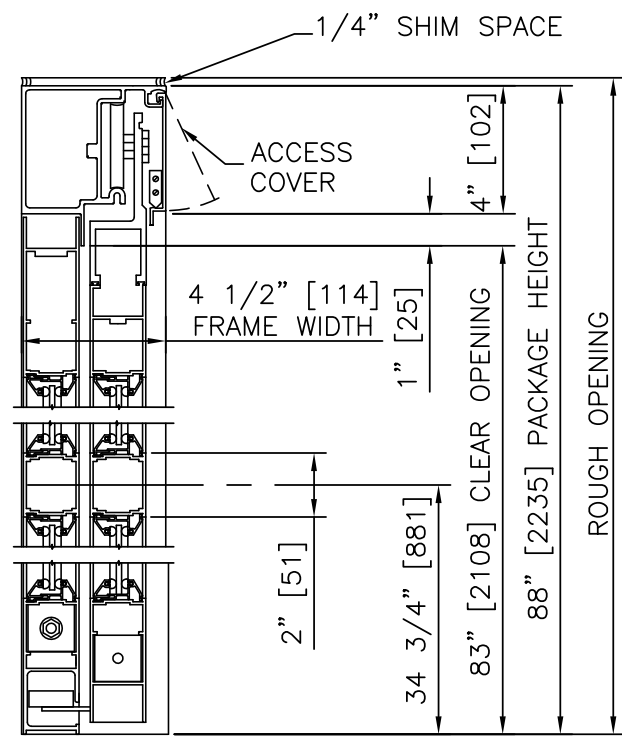
ELEVATION VIEW
SCALE: 3/8" = 1'-0"



PLAN VIEW
SCALE: 3/8" = 1'-0"



HORIZONTAL SECTION
SCALE: 2" = 1'-0"



VERTICAL SECTION
SCALE: 2" = 1'-0"

- PRODUCT OPTIONS**
- FINISH**
- ANODIZED CLEAR CL2
 - ANODIZED DK BRONZE
 - CUSTOM
- LATCHING/LOCKING**
- POSITIVE LATCH
 - 1-POINT
 - 2-POINT
- STILES**
- NARROW
 - MEDIUM
- BOTTOM RAILS**
- STANDARD 4"
 - OPTIONAL 6" 8" 10" 12"
- THRESHOLDS**
- SQ/BVL (EXT)
 - SQ/BVL (INT)
 - DBL BVL
 - RECESSED
- OTHER OPTIONS**
- SMOKE AND DRAFT CONTROL

SINGLE SLIDE FORMULAS - NARROW STILE
 PACKAGE WIDTH = 2 X CLEAR DOOR OPENING + 13.4"
 CLEAR DOOR OPENING = 1/2 PACKAGE WIDTH - 6.7"
 EMERGENCY BREAKOUT WIDTH = CLEAR DOOR OPENING + 3.8"
 DOOR PANEL WIDTH = 1/2 PACKAGE WIDTH - 0.5"

SINGLE SLIDE FORMULAS - MEDIUM STILE
 PACKAGE WIDTH = 2 X CLEAR DOOR OPENING + 17.8"
 CLEAR DOOR OPENING = 1/2 PACKAGE WIDTH - 8.9"
 EMERGENCY BREAKOUT WIDTH = CLEAR DOOR OPENING + 5.1"
 DOOR PANEL WIDTH = 1/2 PACKAGE WIDTH + 0.2"

TYPICAL PACKAGE DIMENSIONS (NARROW STILE)			
PACKAGE WIDTH	NOMINAL CLEAR DOOR OPENING	DOOR PANEL NOMINAL WIDTH	EMERGENCY BREAKOUT NOM. WIDTH
84"	35.3"	41.5"	39.0"
96"	41.3"	47.5"	45.0"
108"	47.3"	53.5"	51.0"

SINGLE SLIDE TRACKLESS

DURA-CARE™
7200
SERIES

- NOTES**
- PACKAGE SHALL BE GROUNDED TO BUILDING GROUND SYSTEM. GROUNDING WIRE BY ELECTRICAL CONTRACTOR.
 - ROUGH OPENING SHALL PROVIDE 1/4"[6] SHIM SPACE ON SIDES AND TOP OF PACKAGE.
 - STANDARD PACKAGE EXCLUDES LATCHING OR LOCKING. POSITIVE LATCHING AND LOCKING SYSTEMS AVAILABLE.
 - STANDARD GLAZING STOPS FOR ALL PANELS ARE 1/4"[6]; 5/8"[16] AND 1"[25] AVAILABLE.
 - STANDARD JAMB TUBES SHOWN; 6"[152] AVAILABLE.
 - STANDARD STILES, BOTTOM RAILS AND MUNTINS SHOWN; MEDIUM STILES, BOTTOM RAILS TO 12"[305], AND 4 1/4"[108] MUNTINS AVAILABLE.
 - SEE SPECIFICATIONS FOR ADDITIONAL INFORMATION.

DURA-CARE™
7200
SERIES

SINGLE SLIDE RIGHT HAND TRACKLESS

PROJECT INFORMATION

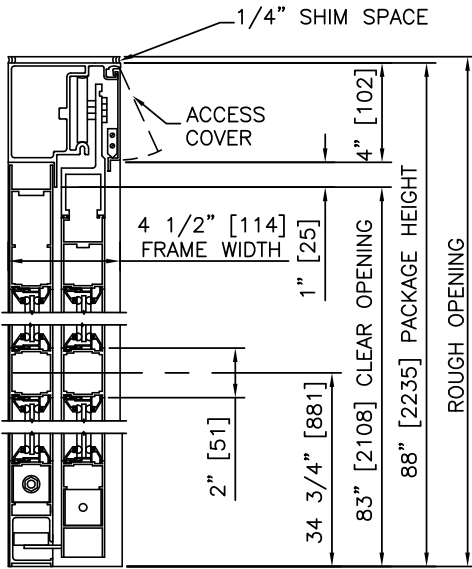
PROJECT NAME:

LOCATION:

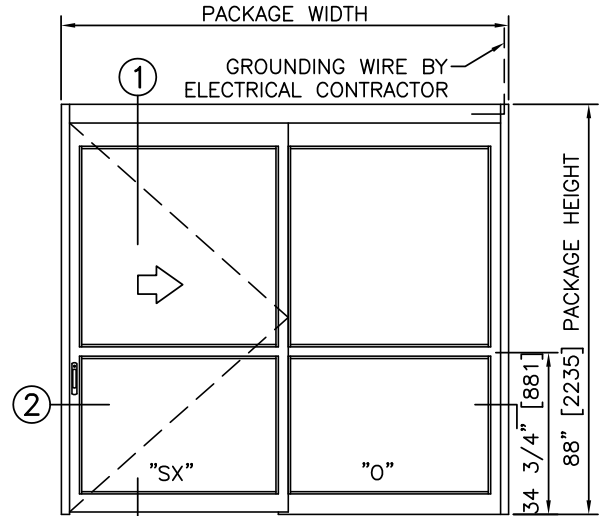
DOOR NUMBER(S):

DATE:

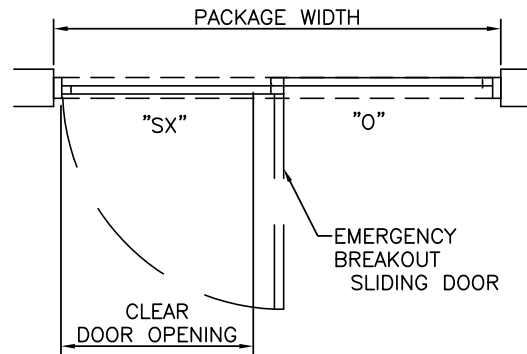
SHEET: OF



1 VERTICAL SECTION



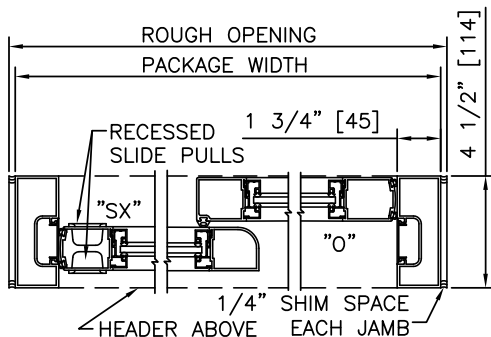
ELEVATION



PLAN

NOTES

1. PACKAGE SHALL BE GROUNDED TO BUILDING GROUND SYSTEM. GROUNDING WIRE BY ELECTRICAL CONTRACTOR.
2. ROUGH OPENING SHALL PROVIDE 1/4" [6] SHIM SPACE ON SIDES AND TOP OF PACKAGE.
3. STANDARD PACKAGE EXCLUDES LATCHING OR LOCKING. POSITIVE LATCHING AND LOCKING SYSTEMS AVAILABLE.
4. SEE SPECIFICATIONS FOR ADDITIONAL INFORMATION.



2 HORIZONTAL SECTION

TYPICAL PACKAGE DIMENSIONS (NARROW STILE)			
PACKAGE WIDTH	NOMINAL CLEAR DOOR OPENING	DOOR PANEL NOMINAL WIDTH	EMERGENCY BREAKOUT NOM. WIDTH
84"	35.3"	41.5"	39.0"
96"	41.3"	47.5"	45.0"
108"	47.3"	53.5"	51.0"

DURA-CARE™
7200
SERIES

SINGLE SLIDE LEFT HAND TRACKLESS

PROJECT INFORMATION

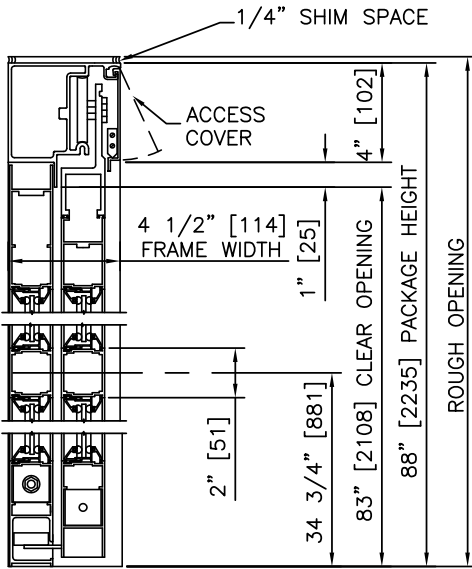
PROJECT NAME:

LOCATION:

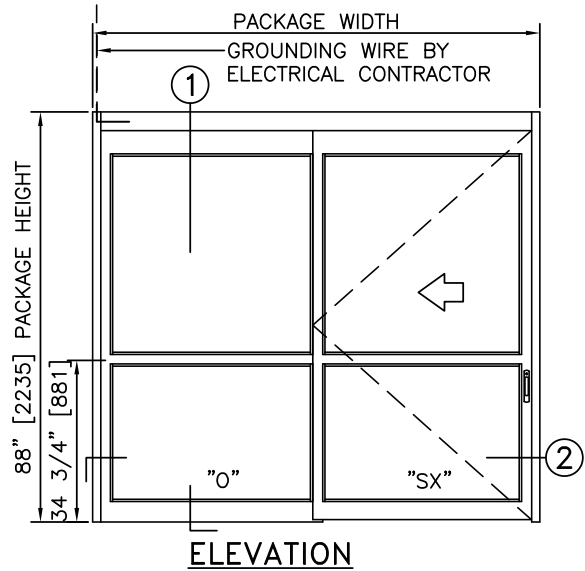
DOOR NUMBER(S):

DATE:

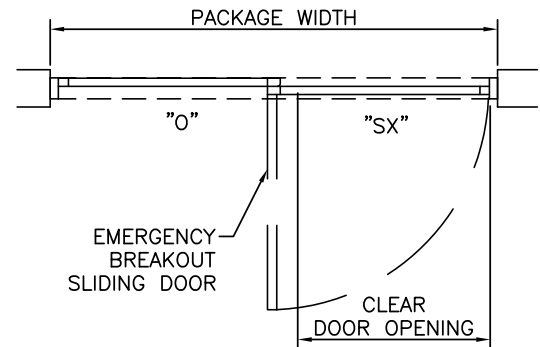
SHEET: OF



1 VERTICAL SECTION



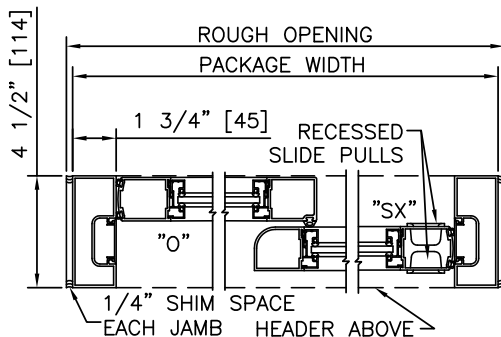
ELEVATION



PLAN

NOTES

1. PACKAGE SHALL BE GROUNDED TO BUILDING GROUND SYSTEM. GROUNDING WIRE BY ELECTRICAL CONTRACTOR.
2. ROUGH OPENING SHALL PROVIDE 1/4"[6] SHIM SPACE ON SIDES AND TOP OF PACKAGE.
3. STANDARD PACKAGE EXCLUDES LATCHING OR LOCKING. POSITIVE LATCHING AND LOCKING SYSTEMS AVAILABLE.
4. SEE SPECIFICATIONS FOR ADDITIONAL INFORMATION.



2 HORIZONTAL SECTION

TYPICAL PACKAGE DIMENSIONS (NARROW STILE)			
PACKAGE WIDTH	NOMINAL CLEAR DOOR OPENING	DOOR PANEL NOMINAL WIDTH	EMERGENCY BREAKOUT NOM. WIDTH
84"	35.3"	41.5"	39.0"
96"	41.3"	47.5"	45.0"
108"	47.3"	53.5"	51.0"

DURA-CARE™
7200
SERIES

SINGLE SLIDE RIGHT HAND TRACKLESS, SMOKE & DRAFT

PROJECT INFORMATION

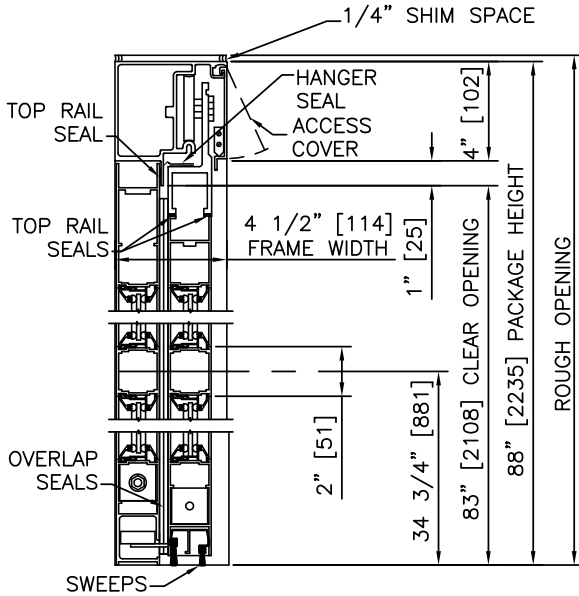
PROJECT NAME:

LOCATION:

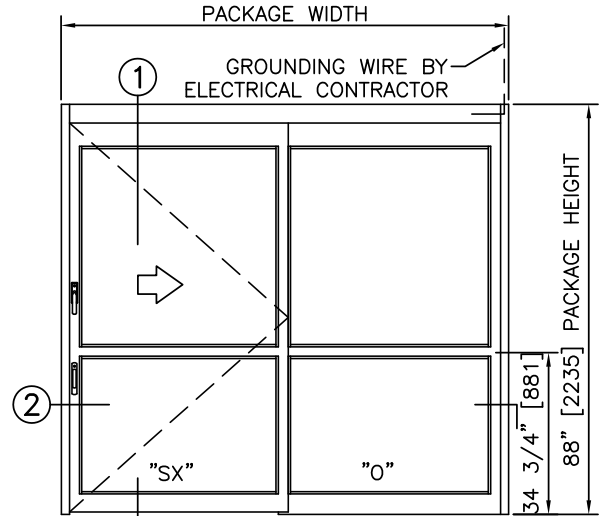
DOOR NUMBER(S):

DATE:

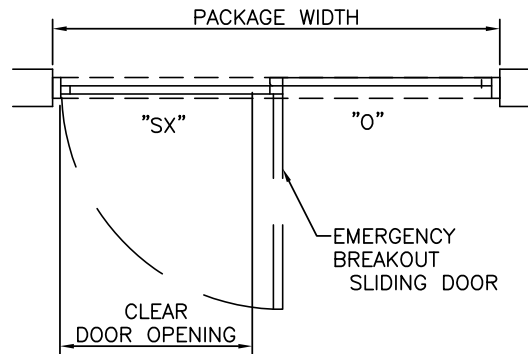
SHEET: OF



1 VERTICAL SECTION



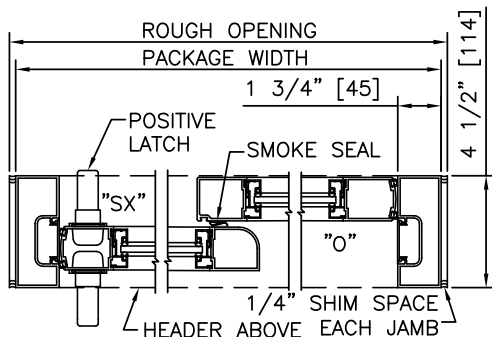
ELEVATION



PLAN

NOTES

1. PACKAGE SHALL BE GROUNDED TO BUILDING GROUND SYSTEM. GROUNDING WIRE BY ELECTRICAL CONTRACTOR.
2. ROUGH OPENING SHALL PROVIDE 1/4"[6] SHIM SPACE ON SIDES AND TOP OF PACKAGE.
3. STANDARD PACKAGE EXCLUDES LATCHING OR LOCKING. POSITIVE LATCHING AND LOCKING SYSTEMS AVAILABLE.
4. PRODUCT IS CERTIFIED AS AN EFFECTIVE BARRIER AGAINST THE PASSAGE OF SMOKE IN ACCORDANCE WITH UL1784.
5. SEE SPECIFICATIONS FOR ADDITIONAL INFORMATION.



2 HORIZONTAL SECTION

TYPICAL PACKAGE DIMENSIONS (NARROW STILE)			
PACKAGE WIDTH	NOMINAL CLEAR DOOR OPENING	DOOR PANEL NOMINAL WIDTH	EMERGENCY BREAKOUT NOM. WIDTH
84"	35.3"	41.5"	39.0"
96"	41.3"	47.5"	45.0"
108"	47.3"	53.5"	51.0"

DURA-CARE™
7200
SERIES

SINGLE SLIDE LEFT HAND TRACKLESS, SMOKE & DRAFT

PROJECT INFORMATION

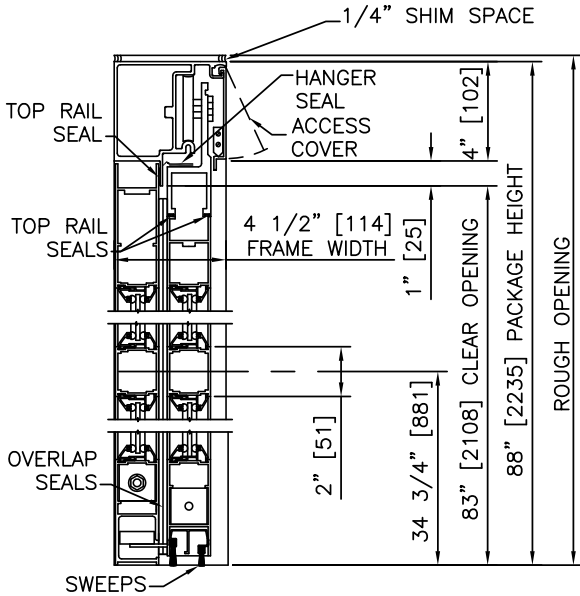
PROJECT NAME:

LOCATION:

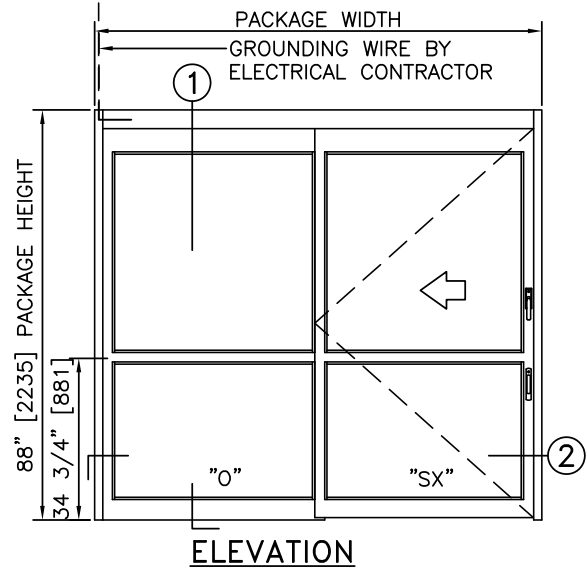
DOOR NUMBER(S):

DATE:

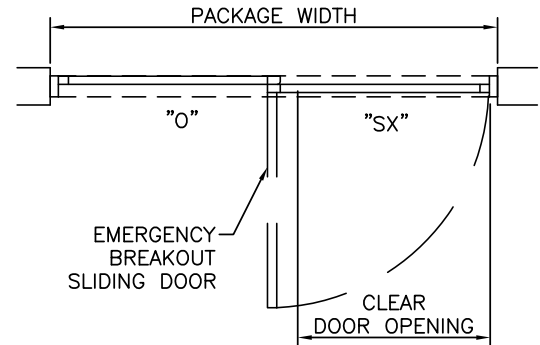
SHEET: OF



1 VERTICAL SECTION



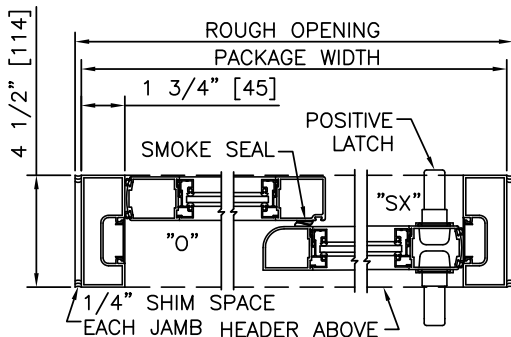
ELEVATION



PLAN

NOTES

1. PACKAGE SHALL BE GROUNDED TO BUILDING GROUND SYSTEM. GROUNDING WIRE BY ELECTRICAL CONTRACTOR.
2. ROUGH OPENING SHALL PROVIDE 1/4" [6] SHIM SPACE ON SIDES AND TOP OF PACKAGE.
3. STANDARD PACKAGE EXCLUDES LATCHING OR LOCKING. POSITIVE LATCHING AND LOCKING SYSTEMS AVAILABLE.
4. PRODUCT IS CERTIFIED AS AN EFFECTIVE BARRIER AGAINST THE PASSAGE OF SMOKE IN ACCORDANCE WITH UL1784.
5. SEE SPECIFICATIONS FOR ADDITIONAL INFORMATION.



2 HORIZONTAL SECTION

TYPICAL PACKAGE DIMENSIONS (NARROW STILE)			
PACKAGE WIDTH	NOMINAL CLEAR DOOR OPENING	DOOR PANEL NOMINAL WIDTH	EMERGENCY BREAKOUT NOM. WIDTH
84"	35.3"	41.5"	39.0"
96"	41.3"	47.5"	45.0"
108"	47.3"	53.5"	51.0"

DURA-CARE™
7200
SERIES

SINGLE SLIDE RIGHT HAND TRACKLESS, SURFACE APPLIED

PROJECT INFORMATION

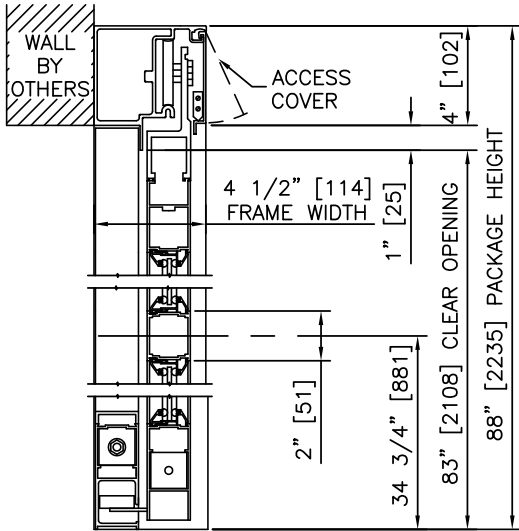
PROJECT NAME:

LOCATION:

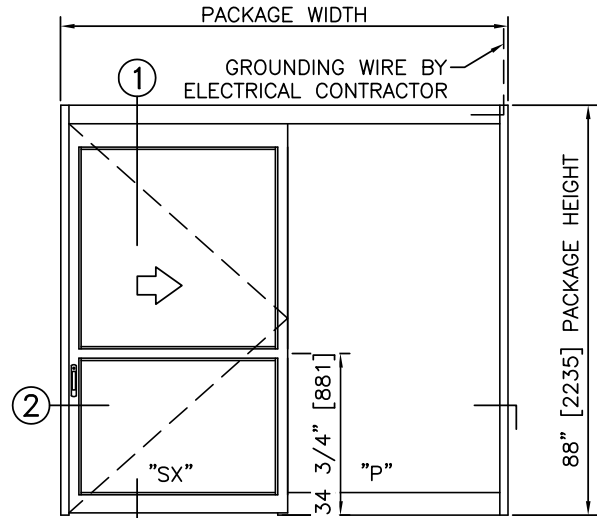
DOOR NUMBER(S):

DATE:

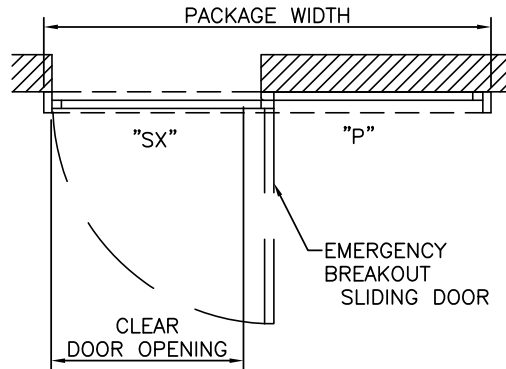
SHEET: OF



1 VERTICAL SECTION



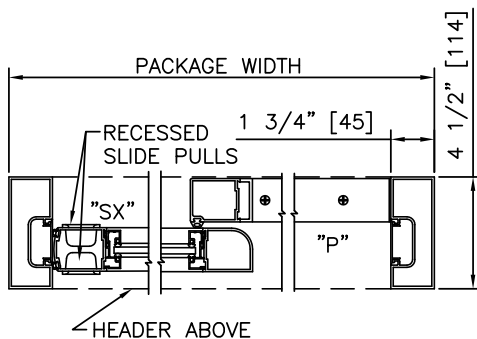
ELEVATION



PLAN

NOTES

1. PACKAGE SHALL BE GROUNDED TO BUILDING GROUND SYSTEM. GROUNDING WIRE BY ELECTRICAL CONTRACTOR.
2. ROUGH OPENING SHALL PROVIDE 1/4" [6] SHIM SPACE ON SIDES AND TOP OF PACKAGE.
3. STANDARD PACKAGE EXCLUDES LATCHING OR LOCKING. POSITIVE LATCHING AND LOCKING SYSTEMS AVAILABLE.
4. SEE SPECIFICATIONS FOR ADDITIONAL INFORMATION.



2 HORIZONTAL SECTION

TYPICAL PACKAGE DIMENSIONS (NARROW STILE)			
PACKAGE WIDTH	NOMINAL CLEAR DOOR OPENING	DOOR PANEL NOMINAL WIDTH	EMERGENCY BREAKOUT NOM. WIDTH
84"	35.3"	41.5"	39.0"
96"	41.3"	47.5"	45.0"
108"	47.3"	53.5"	51.0"

DURA-CARE™
7200
SERIES

SINGLE SLIDE LEFT HAND TRACKLESS, SURFACE APPLIED

PROJECT INFORMATION

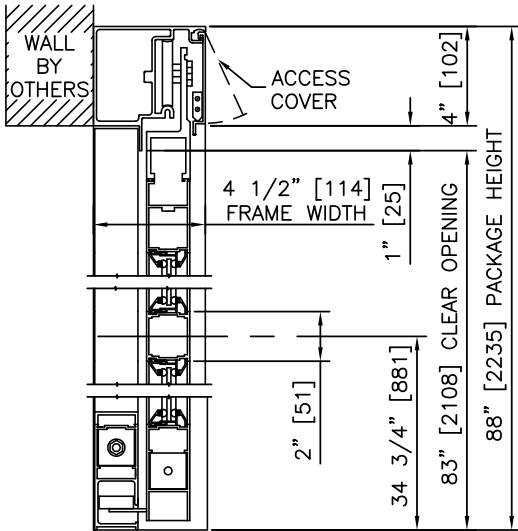
PROJECT NAME:

LOCATION:

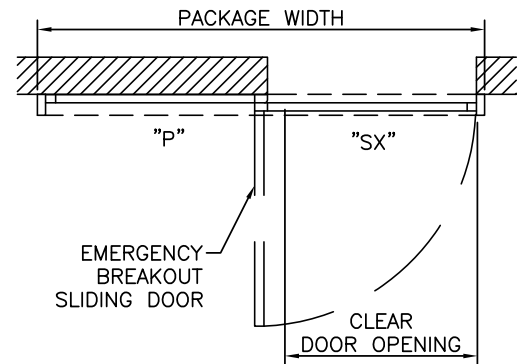
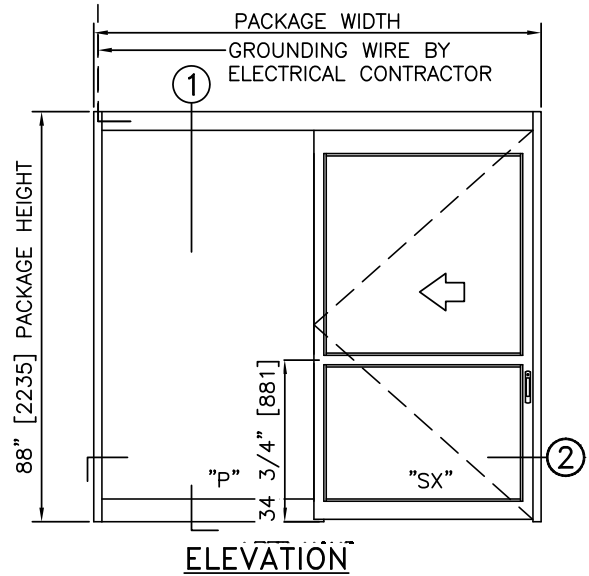
DOOR NUMBER(S):

DATE:

SHEET: OF

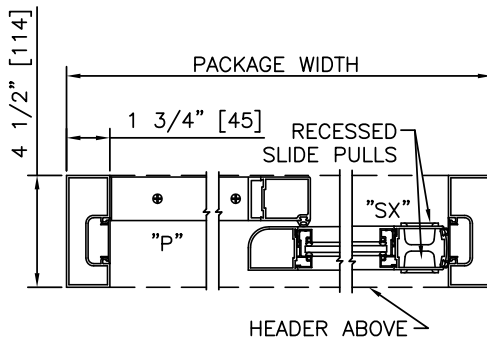


1 VERTICAL SECTION



NOTES

1. PACKAGE SHALL BE GROUNDED TO BUILDING GROUND SYSTEM. GROUNDING WIRE BY ELECTRICAL CONTRACTOR.
2. ROUGH OPENING SHALL PROVIDE 1/4" [6] SHIM SPACE ON SIDES AND TOP OF PACKAGE.
3. STANDARD PACKAGE EXCLUDES LATCHING OR LOCKING. POSITIVE LATCHING AND LOCKING SYSTEMS AVAILABLE.
4. SEE SPECIFICATIONS FOR ADDITIONAL INFORMATION.



2 HORIZONTAL SECTION

TYPICAL PACKAGE DIMENSIONS (NARROW STILE)			
PACKAGE WIDTH	NOMINAL CLEAR DOOR OPENING	DOOR PANEL NOMINAL WIDTH	EMERGENCY BREAKOUT NOM. WIDTH
84"	35.3"	41.5"	39.0"
96"	41.3"	47.5"	45.0"
108"	47.3"	53.5"	51.0"

DURA-CARE™
7200
SERIES

SINGLE SLIDE RIGHT HAND TRACKLESS, SMOKE & DRAFT, SURFACE APPLIED

PROJECT INFORMATION

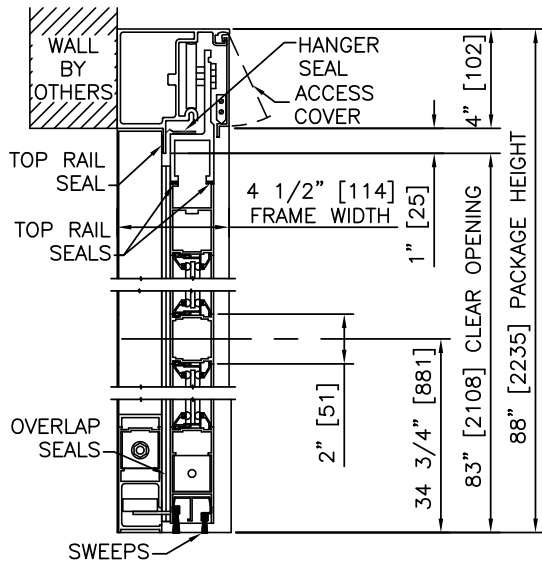
PROJECT NAME:

LOCATION:

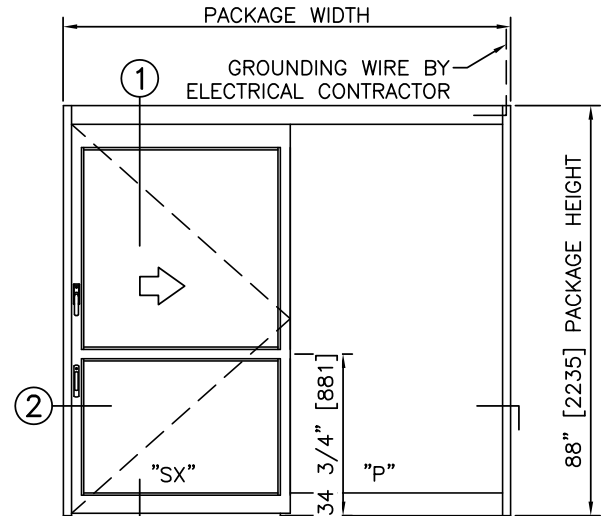
DOOR NUMBER(S):

DATE:

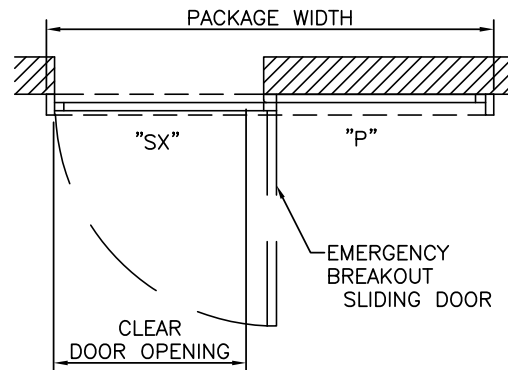
SHEET: OF



1 VERTICAL SECTION



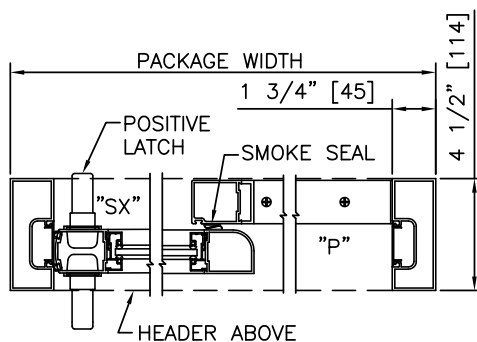
ELEVATION



PLAN

NOTES

1. PACKAGE SHALL BE GROUNDED TO BUILDING GROUND SYSTEM. GROUNDING WIRE BY ELECTRICAL CONTRACTOR.
2. ROUGH OPENING SHALL PROVIDE 1/4\" [6] SHIM SPACE ON SIDES AND TOP OF PACKAGE.
3. STANDARD PACKAGE EXCLUDES LATCHING OR LOCKING. POSITIVE LATCHING AND LOCKING SYSTEMS AVAILABLE.
4. PRODUCT IS CERTIFIED AS AN EFFECTIVE BARRIER AGAINST THE PASSAGE OF SMOKE IN ACCORDANCE WITH UL1784.
5. SEE SPECIFICATIONS FOR ADDITIONAL INFORMATION.



2 HORIZONTAL SECTION

TYPICAL PACKAGE DIMENSIONS (NARROW STILE)			
PACKAGE WIDTH	NOMINAL CLEAR DOOR OPENING	DOOR PANEL NOMINAL WIDTH	EMERGENCY BREAKOUT NOM. WIDTH
84"	35.3"	41.5"	39.0"
96"	41.3"	47.5"	45.0"
108"	47.3"	53.5"	51.0"

DURA-CARE™
7200
SERIES

SINGLE SLIDE LEFT HAND TRACKLESS, SMOKE & DRAFT, SURFACE APPLIED

PROJECT INFORMATION

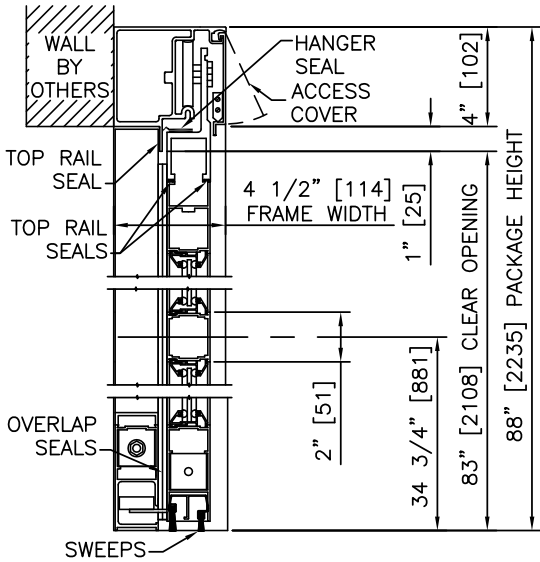
PROJECT NAME:

LOCATION:

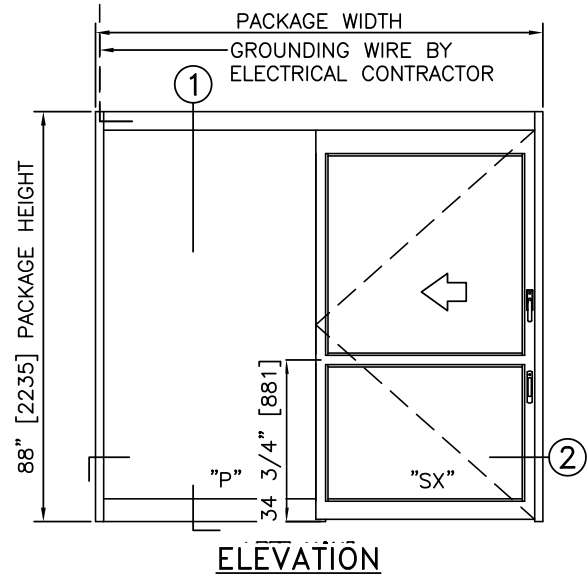
DOOR NUMBER(S):

DATE:

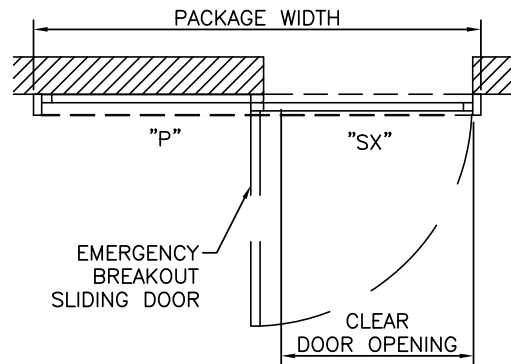
SHEET: OF



1 VERTICAL SECTION



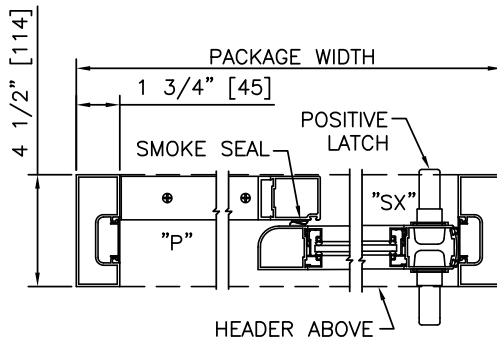
ELEVATION



PLAN

NOTES

1. PACKAGE SHALL BE GROUNDED TO BUILDING GROUND SYSTEM. GROUNDING WIRE BY ELECTRICAL CONTRACTOR.
2. ROUGH OPENING SHALL PROVIDE 1/4\"[6] SHIM SPACE ON SIDES AND TOP OF PACKAGE.
3. STANDARD PACKAGE EXCLUDES LATCHING OR LOCKING. POSITIVE LATCHING AND LOCKING SYSTEMS AVAILABLE.
4. PRODUCT IS CERTIFIED AS AN EFFECTIVE BARRIER AGAINST THE PASSAGE OF SMOKE IN ACCORDANCE WITH UL1784.
5. SEE SPECIFICATIONS FOR ADDITIONAL INFORMATION.



2 HORIZONTAL SECTION

TYPICAL PACKAGE DIMENSIONS (NARROW STILE)			
PACKAGE WIDTH	NOMINAL CLEAR DOOR OPENING	DOOR PANEL NOMINAL WIDTH	EMERGENCY BREAKOUT NOM. WIDTH
84"	35.3"	41.5"	39.0"
96"	41.3"	47.5"	45.0"
108"	47.3"	53.5"	51.0"