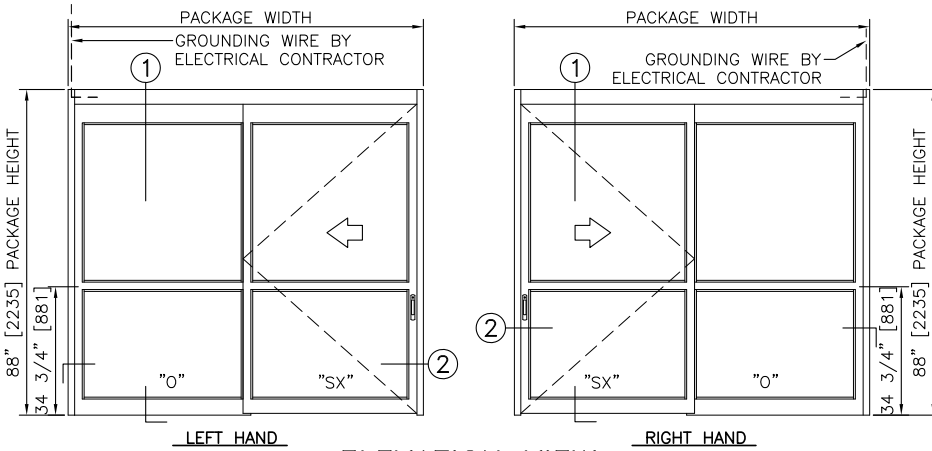


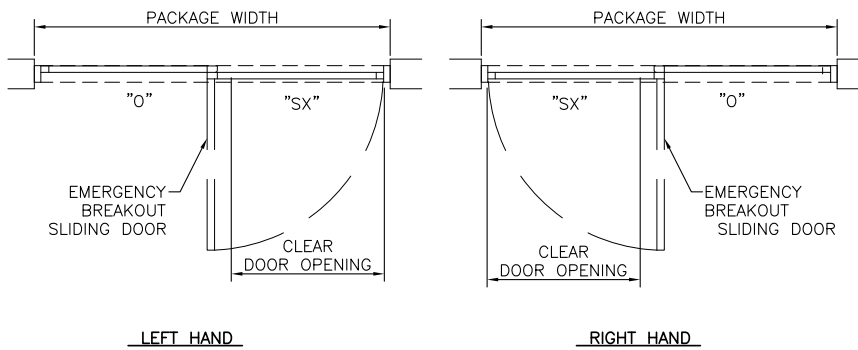


CONFIGURATIONS:	2, 3, & 4-Panel, 2-Panel S&D, Trackless
TYPICAL HEIGHT:	88" (Std); taller available.
TYPICAL WIDTH:	2-Panel (Std); 84" to 108"
HEADER SIZE:	4" Nominal Height
BREAKOUT:	Sliding Panel Breakout, Any Position
JAMB DIMENSION:	4 1/2" x 1 3/4"
CLEAR DOOR OPENING:	2-Panel (Std); 35 1/4" to 47 1/4"
BREAKOUT OPENING:	1-Panel (Std); 39" to 51"
SUPPORTED GLAZING:	1/4" (Std); 5/8", 1/2", 1" Insulated, Electric Privacy Glass
STILES:	Narrow (Std), and Medium
BOTTOM RAILS:	4" (Std), 6", 8", 10", 12", other custom
FINISHES:	Anodized, PVDF Paint, Anti-Microbial (Touch Points or All)
HARDWARE OPTIONS:	Positive Latch, Single/Multi-Point Locking
LISTINGS:	UL1784
RATINGS:	2-Panel Only: UL 1784 Leakage (Smoke & Draft), +/- Pressure
CODES AND STANDARDS:	Smoke Provisions: (2-Panel Only) NFPA 101, NFPA 105, IBC Egress Provisions: NFPA 101, IBC



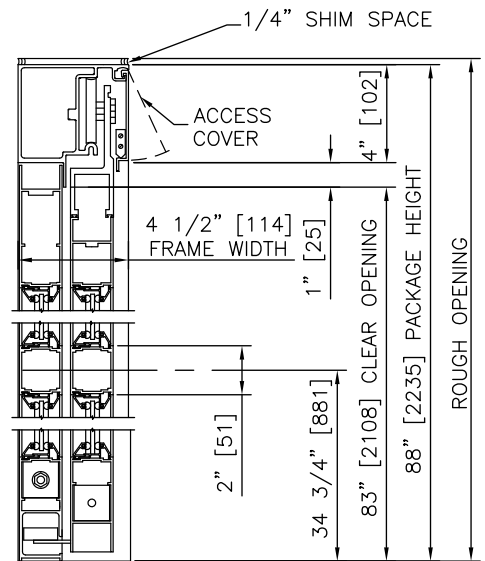
ELEVATION VIEW

SCALE: 3/8" = 1'-0"



PLAN VIEW

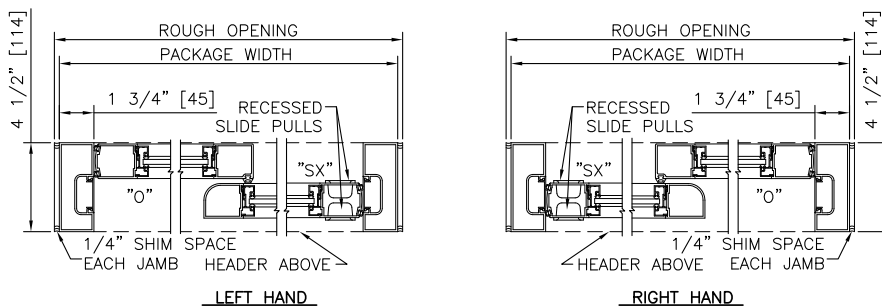
SCALE: 3/8" = 1'-0"



LEFT HAND & RIGHT HAND

VERTICAL SECTION

SCALE: 2" = 1'-0"



HORIZONTAL SECTION

SCALE: 2" = 1'-0"

TYPICAL PACKAGE DIMENSIONS (NARROW STILE)			
PACKAGE WIDTH	NOMINAL CLEAR DOOR OPENING	DOOR PANEL NOMINAL WIDTH	EMERGENCY BREAKOUT NOM. WIDTH
84"	35.3"	41.5"	39.0"
96"	41.3"	47.5"	45.0"
108"	47.3"	53.5"	51.0"

NOTES

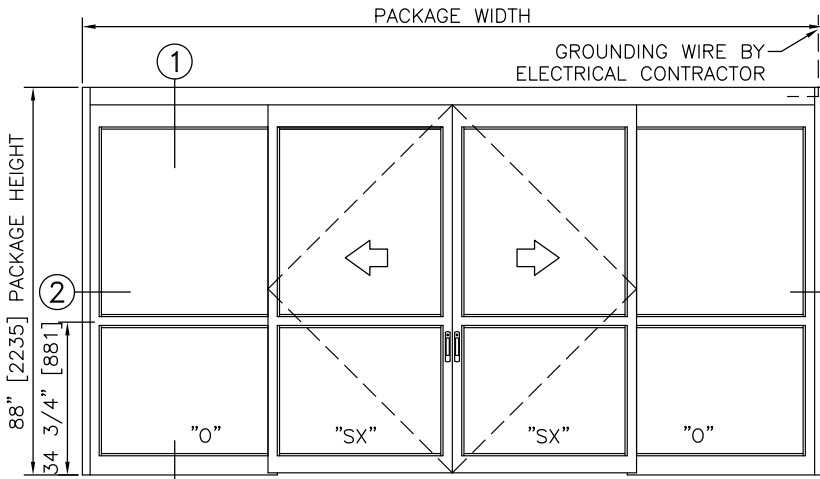
1. PACKAGE SHALL BE GROUNDED TO BUILDING GROUND SYSTEM. GROUNDING WIRE BY ELECTRICAL CONTRACTOR.
2. ROUGH OPENING SHALL PROVIDE 1/4"[6] SHIM SPACE ON SIDES AND TOP OF PACKAGE.
3. STANDARD PACKAGE EXCLUDES LATCHING OR LOCKING. POSITIVE LATCHING AND LOCKING SYSTEMS AVAILABLE.

SINGLE SLIDE FORMULAS – NARROW STILE

- PACKAGE WIDTH = 2 X CLEAR DOOR OPENING + 13.4"
- CLEAR DOOR OPENING = 1/2 PACKAGE WIDTH - 6.7"
- EMERGENCY BREAKOUT WIDTH = CLEAR DOOR OPENING + 3.8"
- DOOR PANEL WIDTH = 1/2 PACKAGE WIDTH - 0.5"

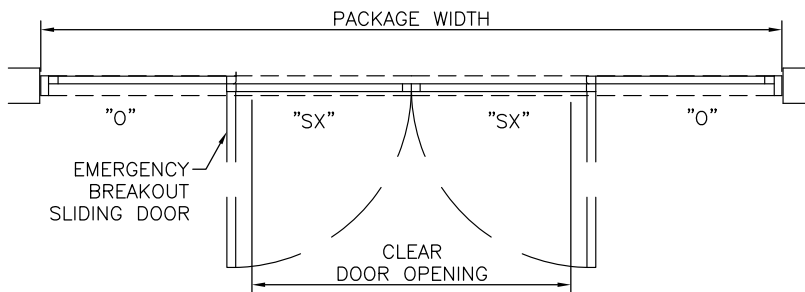
SINGLE SLIDE FORMULAS – MEDIUM STILE

- PACKAGE WIDTH = 2 X CLEAR DOOR OPENING + 17.8"
- CLEAR DOOR OPENING = 1/2 PACKAGE WIDTH - 8.9"
- EMERGENCY BREAKOUT WIDTH = CLEAR DOOR OPENING + 5.1"
- DOOR PANEL WIDTH = 1/2 PACKAGE WIDTH + 0.2"



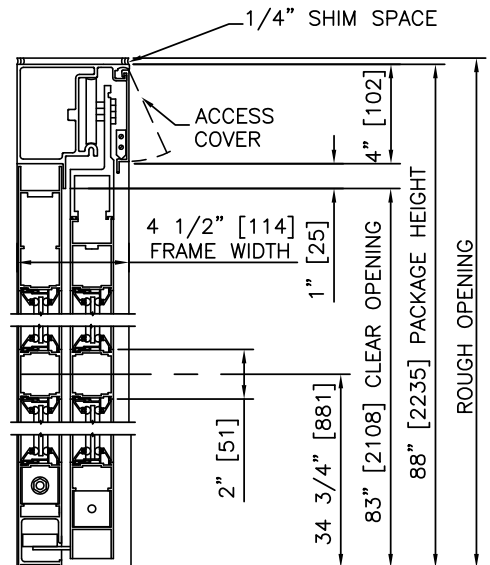
ELEVATION VIEW

SCALE: 3/8" = 1'-0"



PLAN VIEW

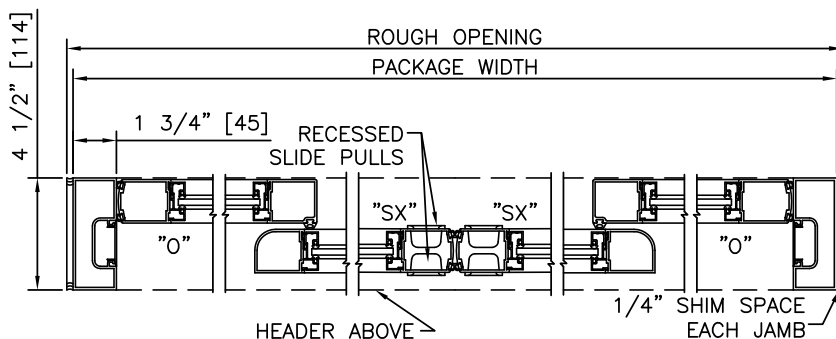
SCALE: 3/8" = 1'-0"



LEFT HAND & RIGHT HAND

1 VERTICAL SECTION

SCALE: 2" = 1'-0"



2 HORIZONTAL SECTION

SCALE: 2" = 1'-0"

TYPICAL PACKAGE DIMENSIONS (NARROW STILE)			
PACKAGE WIDTH	NOMINAL CLEAR DOOR OPENING	DOOR PANEL NOMINAL WIDTH	EMERGENCY BREAKOUT NOM. WIDTH
120"	48.3"	30.3"	55.6"
144"	60.3"	36.3"	67.6"
168"	72.3"	42.3"	79.6"

NOTES

1. PACKAGE SHALL BE GROUNDED TO BUILDING GROUND SYSTEM. GROUNDING WIRE BY ELECTRICAL CONTRACTOR.
2. ROUGH OPENING SHALL PROVIDE 1/4"[6] SHIM SPACE ON SIDES AND TOP OF PACKAGE.
3. STANDARD PACKAGE EXCLUDES LATCHING OR LOCKING. LOCKING SYSTEMS AVAILABLE.

BI-PART FORMULAS – NARROW STILE

- PACKAGE WIDTH = 2 X CLEAR DOOR OPENING + 23.4"
- CLEAR DOOR OPENING = 1/2 PACKAGE WIDTH - 11.7"
- EMERGENCY BREAKOUT WIDTH = CLEAR DOOR OPENING + 7.3"
- DOOR PANEL WIDTH = 1/4 PACKAGE WIDTH + 0.3"

BI-PART FORMULAS – MEDIUM STILE

- PACKAGE WIDTH = 2 X CLEAR DOOR OPENING + 32.1"
- CLEAR DOOR OPENING = 1/2 PACKAGE WIDTH - 16.0"
- EMERGENCY BREAKOUT WIDTH = CLEAR DOOR OPENING + 10.3"
- DOOR PANEL WIDTH = 1/4 PACKAGE WIDTH + 1.1"