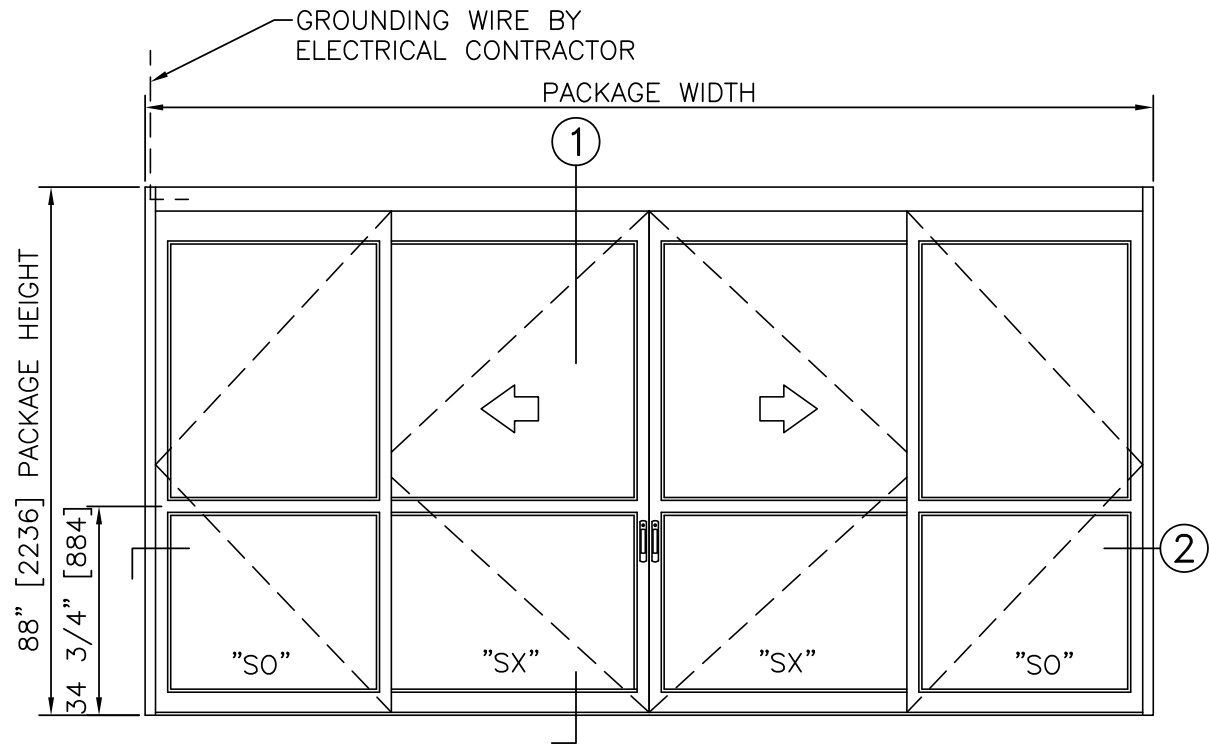


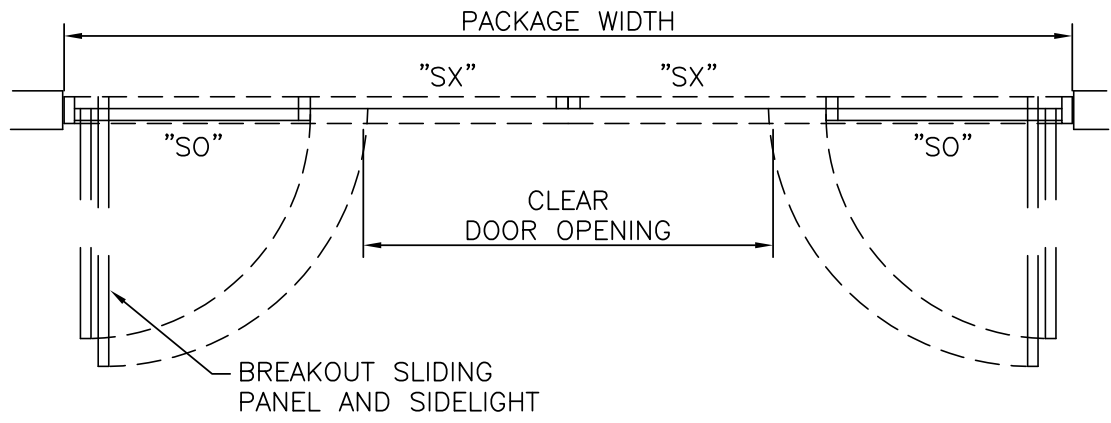


**DURA-CARE™**  
**7000TL**  
**SERIES**

<b>BI-PART TRACKLESS</b>	
PROJECT INFORMATION	
PROJECT NAME:	
LOCATION:	
DOOR NUMBER(S):	
DATE:	SHEET: OF

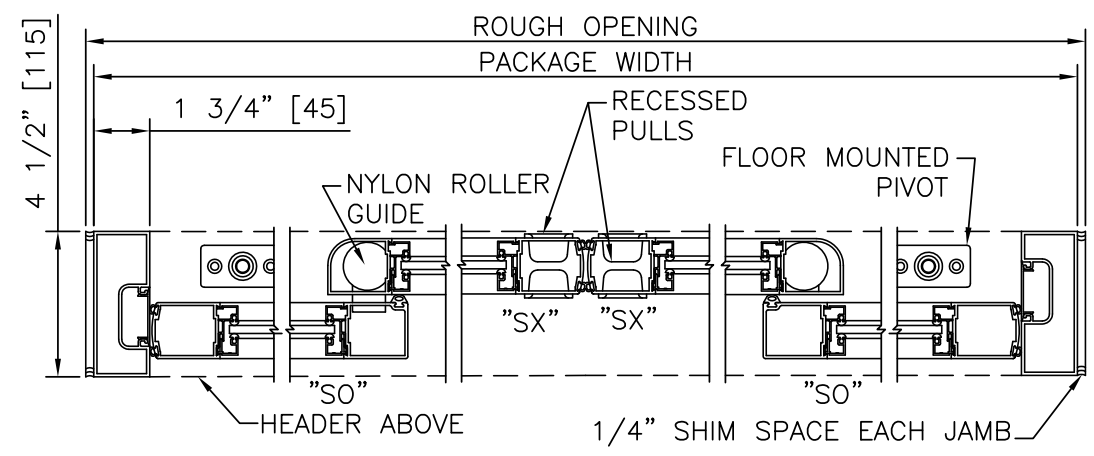


**ELEVATION VIEW**  
SCALE: 3/8" = 1'-0"

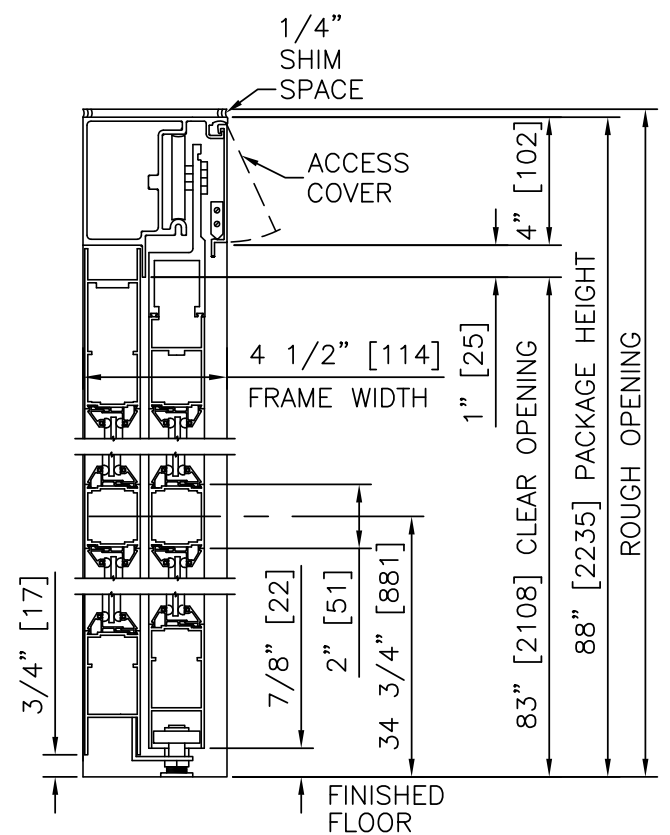


**PLAN VIEW**  
SCALE: 3/8" = 1'-0"

- NOTES**
- PACKAGE SHALL BE GROUNDED TO BUILDING GROUND SYSTEM. GROUNDING WIRE BY ELECTRICAL CONTRACTOR.
  - ROUGH OPENING SHALL PROVIDE 1/4"[6] SHIM SPACE ON SIDES AND TOP OF PACKAGE.
  - STANDARD PACKAGE EXCLUDES LATCHING OR LOCKING. LOCKING SYSTEMS AVAILABLE.
  - STANDARD GLAZING STOPS FOR ALL PANELS ARE 1/4"[6]; 5/8"[16] AND 1"[25] AVAILABLE.
  - STANDARD JAMB TUBES SHOWN; 6"[152] AVAILABLE.
  - STANDARD STILES, BOTTOM RAILS AND MUNTINS SHOWN; MEDIUM STILES, BOTTOM RAILS TO 12"[305], AND 4 1/4"[108] MUNTINS AVAILABLE.
  - SLIDING PANEL MUST BE MANUALLY SLID TO FULL OPEN POSITION AND ENGAGE FLOOR MOUNTED HINGE PIN PRIOR TO PANEL BREAKOUT.
  - SEE SPECIFICATIONS FOR ADDITIONAL INFORMATION.



**HORIZONTAL SECTION**  
SCALE: 2" = 1'-0"



**VERTICAL SECTION**  
SCALE: 2" = 1'-0"

**PRODUCT OPTIONS**

- FINISH**
- ANODIZED CLEAR CL2
  - ANODIZED DK BRONZE
  - CUSTOM
- LATCHING/LOCKING**
- 1-POINT
  - 2-POINT
  - 3-POINT
- STILES**
- NARROW
  - MEDIUM
- BOTTOM RAILS**
- STANDARD 4"
  - OPTIONAL 6" 8" 10" 12"

**BI-PART FORMULAS - NARROW STILE**

PACKAGE WIDTH = 2 X CLEAR DOOR OPENING + 31.4"  
 CLEAR DOOR OPENING = 1/2 PACKAGE WIDTH - 15.7"  
 BREAKOUT WIDTH = PACKAGE WIDTH - 14.2"  
 DOOR PANEL WIDTH (SX) = 1/4 PACKAGE WIDTH + 3.3"  
 DOOR PANEL WIDTH (SO) = 1/4 PACKAGE WIDTH - 2.7"

**BI-PART FORMULAS - MEDIUM STILE**

PACKAGE WIDTH = 2 X CLEAR DOOR OPENING + 40.0"  
 CLEAR DOOR OPENING = 1/2 PACKAGE WIDTH - 20.0"  
 BREAKOUT WIDTH = PACKAGE WIDTH - 17.2"  
 DOOR PANEL WIDTH (SX) = 1/4 PACKAGE WIDTH + 4.1"  
 DOOR PANEL WIDTH (SO) = 1/4 PACKAGE WIDTH - 1.9"

TYPICAL PACKAGE DIMENSIONS (NARROW STILE)				
PACKAGE WIDTH	NOMINAL CLEAR DOOR OPENING	"SX" SLIDING DOOR NOMINAL WIDTH	"SO" SIDELITE NOMINAL WIDTH	BREAKOUT NOMINAL WIDTH
120"	44.3"	33.3"	27.3"	105.8"
144"	56.3"	39.3"	33.3"	129.8"
168"	68.3"	45.3"	39.3"	153.8"

**BI-PART TRACKLESS**

**DURA-CARE™**  
**7000TL**  
**SERIES**

**DURA-CARE™**  
**7000TL**  
**SERIES**

BI-PART TRACKLESS

PROJECT INFORMATION

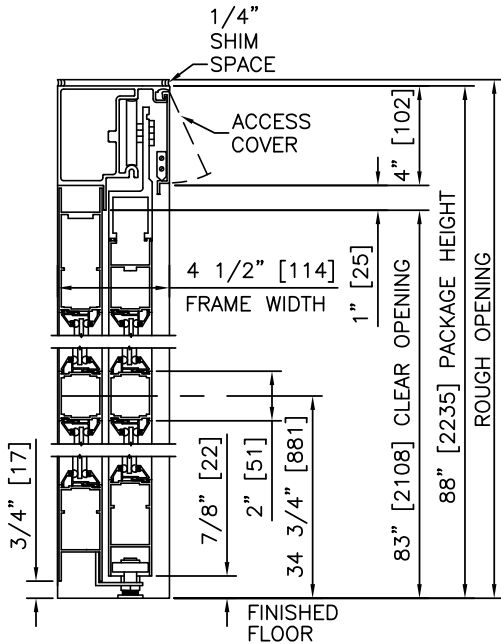
PROJECT NAME:

LOCATION:

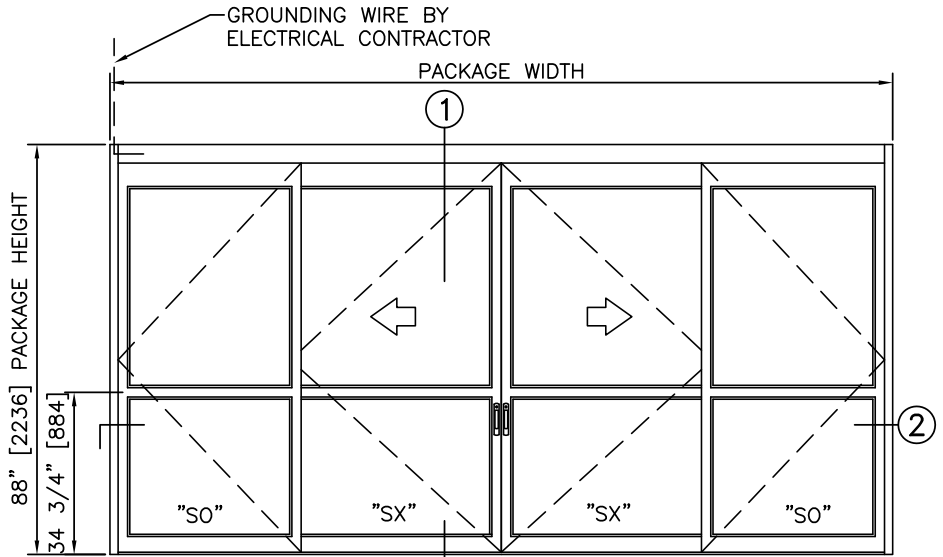
DOOR NUMBER(S):

DATE:

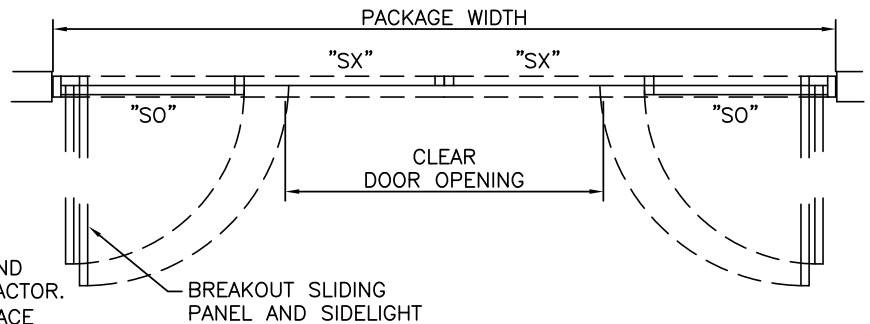
SHEET: OF



1 VERTICAL SECTION



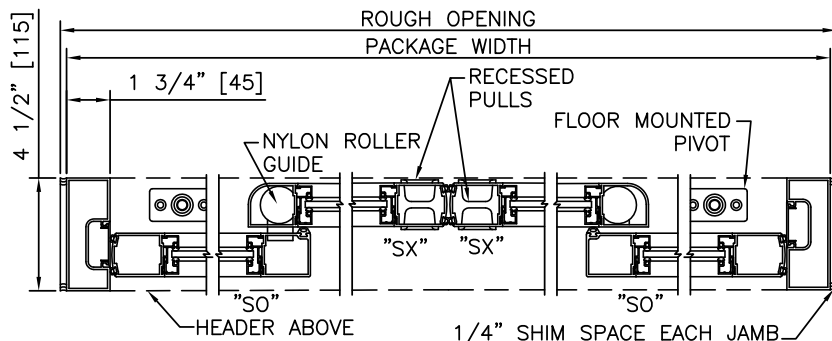
ELEVATION



PLAN

NOTES

1. PACKAGE SHALL BE GROUNDED TO BUILDING GROUND SYSTEM. GROUNDING WIRE BY ELECTRICAL CONTRACTOR.
2. ROUGH OPENING SHALL PROVIDE 1/4" [6] SHIM SPACE ON SIDES AND TOP OF PACKAGE.
3. STANDARD PACKAGE EXCLUDES LATCHING OR LOCKING. LOCKING SYSTEMS AVAILABLE.
4. SLIDING PANEL MUST BE MANUALLY SLID TO FULL OPEN POSITION, ENGAGING FLOOR MOUNTED HINGE PIN, PRIOR TO BREAKOUT.
5. SEE SPECIFICATIONS FOR ADDITIONAL INFORMATION.



2 HORIZONTAL SECTION

TYPICAL PACKAGE DIMENSIONS (NARROW STILE)				
PACKAGE WIDTH	NOMINAL CLEAR DOOR OPENING	"SX" SLIDING DOOR NOMINAL WIDTH	"SO" SIDELITE NOMINAL WIDTH	BREAKOUT NOMINAL WIDTH
120"	44.3"	33.3"	27.3"	105.8"
144"	56.3"	39.3"	33.3"	129.8"
168"	68.3"	45.3"	39.3"	153.8"