

MANUAL SLIDING ICU DOORS: DURA-CARE™ 7000 SERIES, SINGLE SLIDE

3.04 - SINGLE SLIDE TRACKLESS

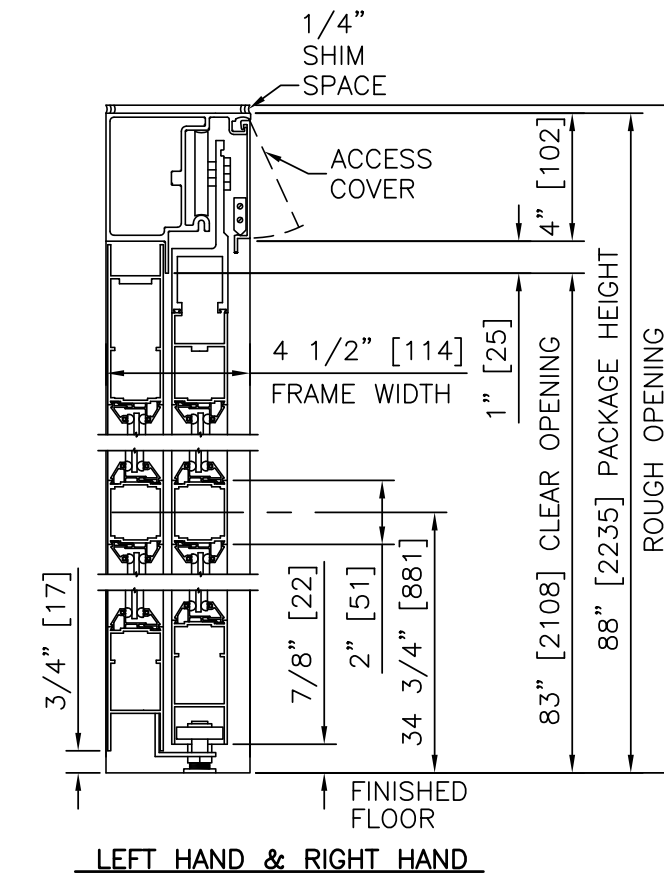
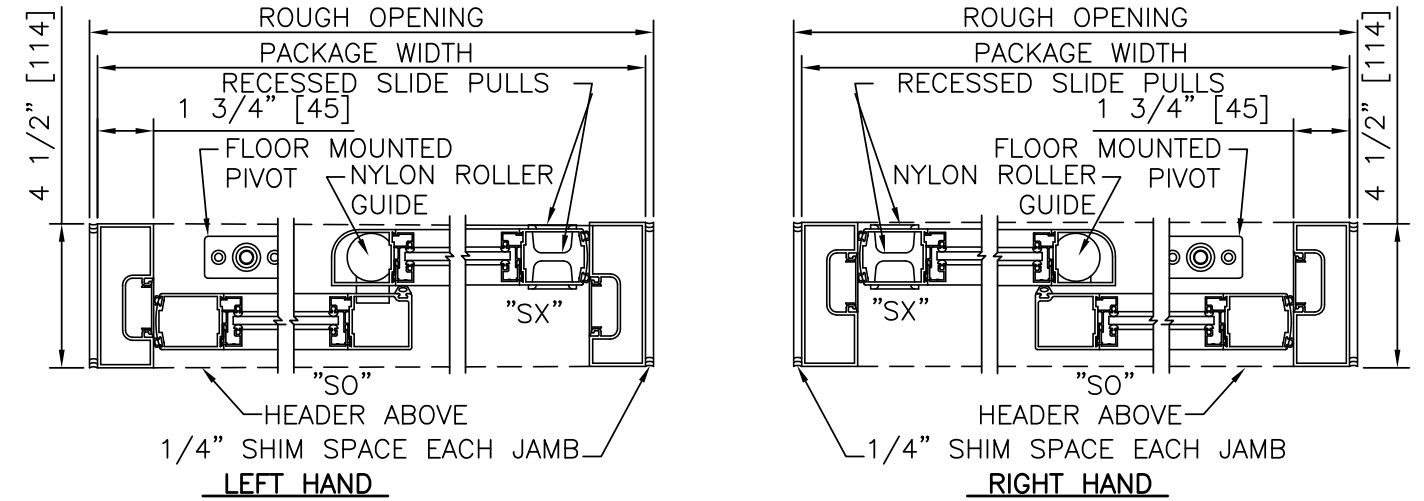
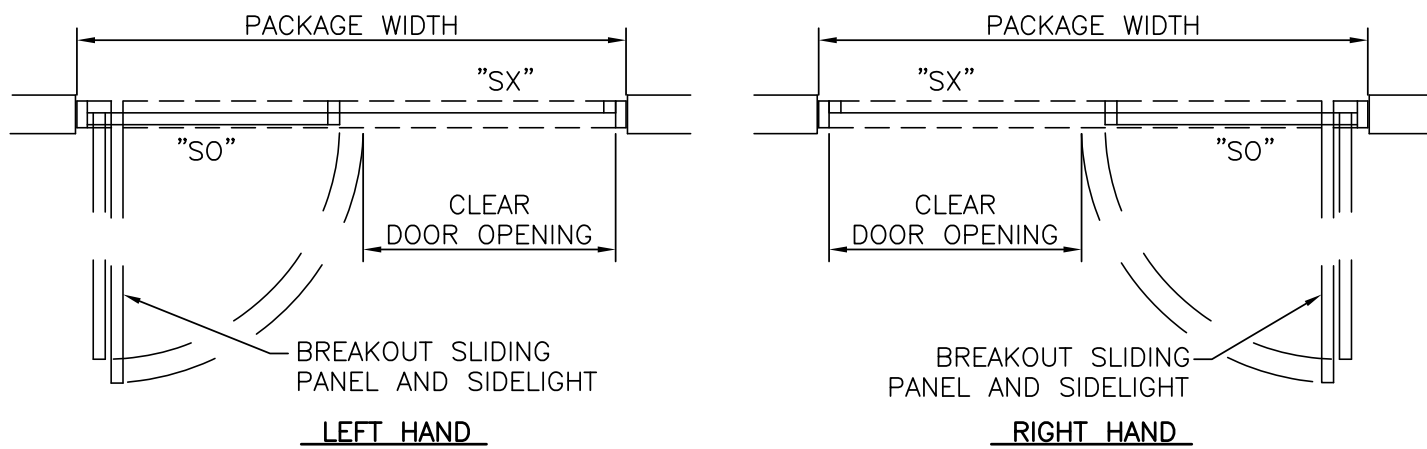
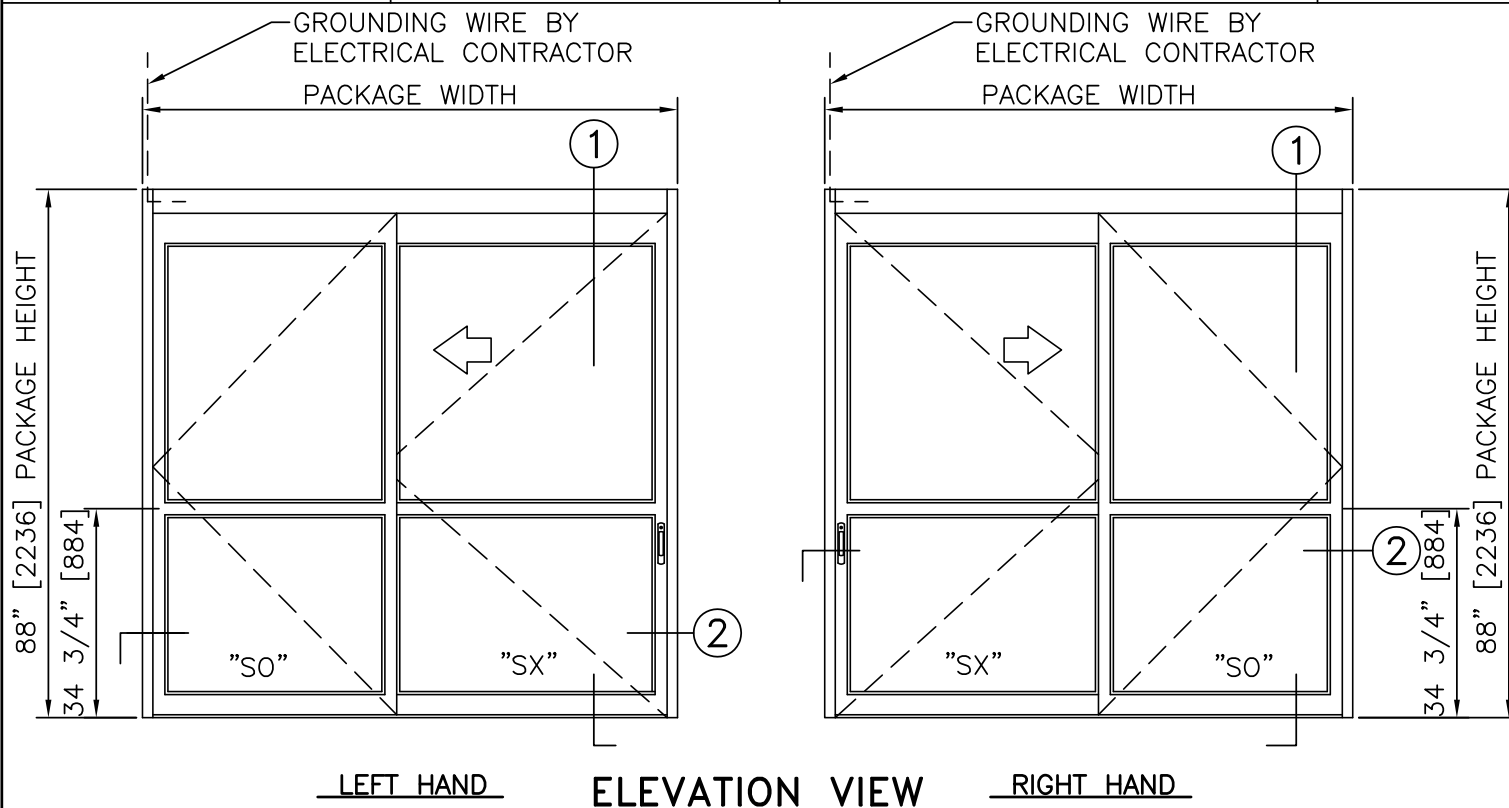
- 3.04.01 - SINGLE SLIDE, RH, TRACKLESS
- 3.04.02 - SINGLE SLIDE, LH, TRACKLESS
- 3.04.03 - SINGLE SLIDE, RH, TRACKLESS, SMOKE & DRAFT
- 3.04.04 - SINGLE SLIDE, LH, TRACKLESS, SMOKE & DRAFT

STANLEY
Access Technologies

DURA-CARE™
7000TL
SERIES

SINGLE SLIDE TRACKLESS
PROJECT INFORMATION

PROJECT NAME: _____
 LOCATION: _____
 DOOR NUMBER(S): _____
 DATE: _____ SHEET: OF _____



PRODUCT OPTIONS

- FINISH**
- ANODIZED CLEAR CL2
 - ANODIZED DK BRONZE
 - CUSTOM
- LATCHING/LOCKING**
- POSITIVE LATCH
 - 1-POINT
 - 2-POINT
- STILES**
- NARROW
 - MEDIUM
- BOTTOM RAILS**
- STANDARD 4"
 - OPTIONAL 6" 8" 10" 12"
- OTHER OPTIONS**
- SMOKE AND DRAFT CONTROL

SINGLE SLIDE FORMULAS - NARROW STILE
 PACKAGE WIDTH = 2 X CLEAR DOOR OPENING + 17.4"
 CLEAR DOOR OPENING = 1/2 PACKAGE WIDTH - 8.7"
 EMERGENCY BREAKOUT WIDTH = PACKAGE WIDTH - 8.9"
 DOOR PANEL WIDTH (SX) = 1/2 PACKAGE WIDTH + 2.5"
 DOOR PANEL WIDTH (SO) = 1/2 PACKAGE WIDTH - 3.5"

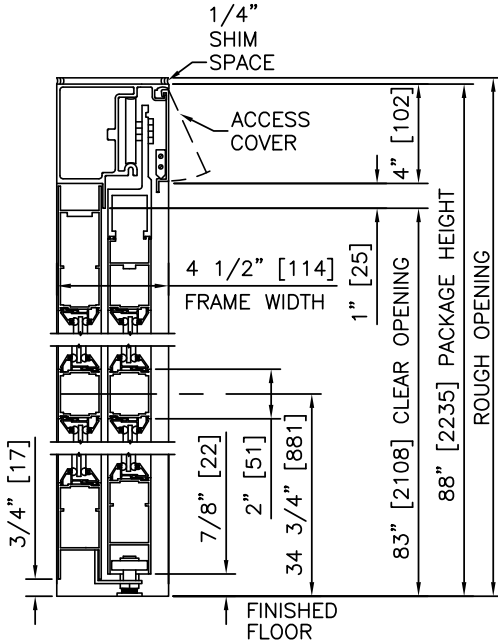
SINGLE SLIDE FORMULAS - MEDIUM STILE
 PACKAGE WIDTH = 2 X CLEAR DOOR OPENING + 21.8"
 CLEAR DOOR OPENING = 1/2 PACKAGE WIDTH - 10.9"
 EMERGENCY BREAKOUT WIDTH = PACKAGE WIDTH - 10.4"
 DOOR PANEL WIDTH (SX) = 1/2 PACKAGE WIDTH + 3.2"
 DOOR PANEL WIDTH (SO) = 1/2 PACKAGE WIDTH - 2.8"

- NOTES**
- PACKAGE SHALL BE GROUNDED TO BUILDING GROUND SYSTEM. GROUNDING WIRE BY ELECTRICAL CONTRACTOR.
 - ROUGH OPENING SHALL PROVIDE 1/4"[6] SHIM SPACE ON SIDES AND TOP OF PACKAGE.
 - STANDARD PACKAGE EXCLUDES LATCHING OR LOCKING. POSITIVE LATCHING AND LOCKING SYSTEMS AVAILABLE.
 - STANDARD GLAZING STOPS FOR ALL PANELS ARE 1/4"[6]; 5/8"[16] AND 1"[25] AVAILABLE.
 - STANDARD JAMB TUBES SHOWN; 6"[152] AVAILABLE.
 - STANDARD STILES, BOTTOM RAILS AND MUNTINS SHOWN; MEDIUM STILES, BOTTOM RAILS TO 12"[305], AND 4 1/4"[108] MUNTINS AVAILABLE.
 - SLIDING PANEL MUST BE MANUALLY SLID TO FULL OPEN POSITION AND ENGAGE FLOOR MOUNTED HINGE PIN PRIOR TO PANEL BREAKOUT.
 - SEE SPECIFICATIONS FOR ADDITIONAL INFORMATION.

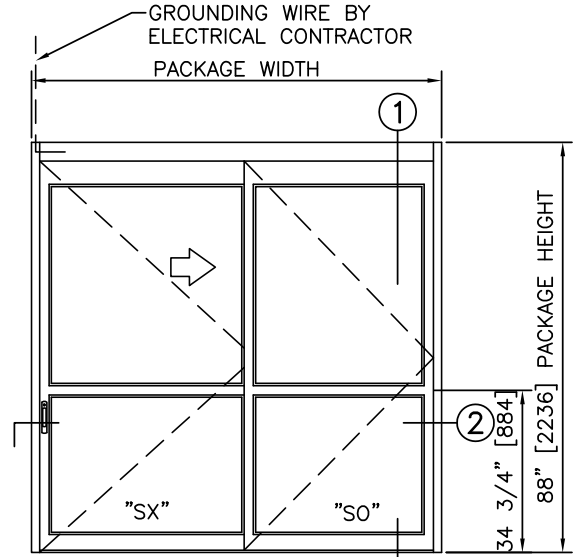
TYPICAL PACKAGE DIMENSIONS (NARROW STILE)				
PACKAGE WIDTH	NOMINAL CLEAR DOOR OPENING	"SX" SLIDING DOOR NOMINAL WIDTH	"SO" SIDELITE NOMINAL WIDTH	BREAKOUT NOMINAL WIDTH
92"	37.3"	48.5"	42.5"	83.1"
98"	40.3"	51.5"	45.5"	89.1"
104"	43.3"	54.5"	48.5"	95.1"

DURA-CARE™
7000TL
SERIES

STANLEY
Access Technologies



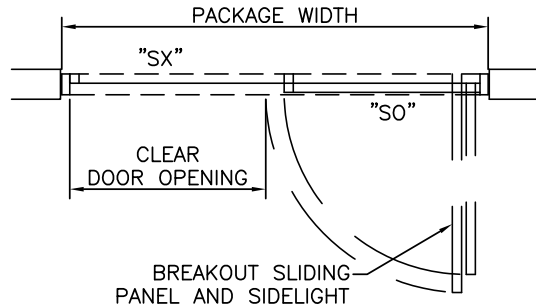
1 VERTICAL SECTION



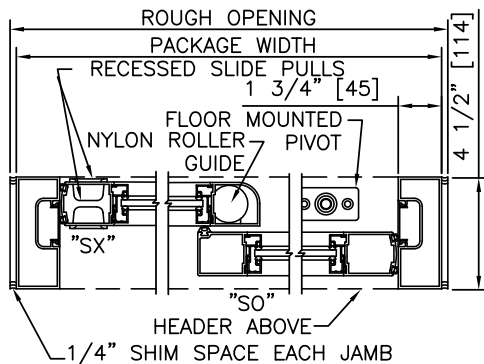
ELEVATION

NOTES

1. PACKAGE SHALL BE GROUNDED TO BUILDING GROUND SYSTEM. GROUNDING WIRE BY ELECTRICAL CONTRACTOR.
2. ROUGH OPENING SHALL PROVIDE 1/4" [6] SHIM SPACE ON SIDES AND TOP OF PACKAGE.
3. STANDARD PACKAGE EXCLUDES LATCHING OR LOCKING. POSITIVE LATCHING AND LOCKING SYSTEMS AVAILABLE.
4. SLIDING PANEL MUST BE MANUALLY SLID TO FULL OPEN POSITION, ENGAGING FLOOR MOUNTED HINGE PIN, PRIOR TO BREAKOUT.
5. SEE SPECIFICATIONS FOR ADDITIONAL INFORMATION.

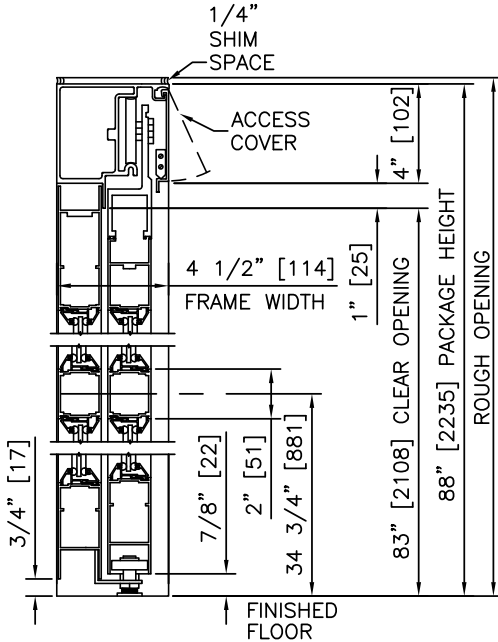


PLAN

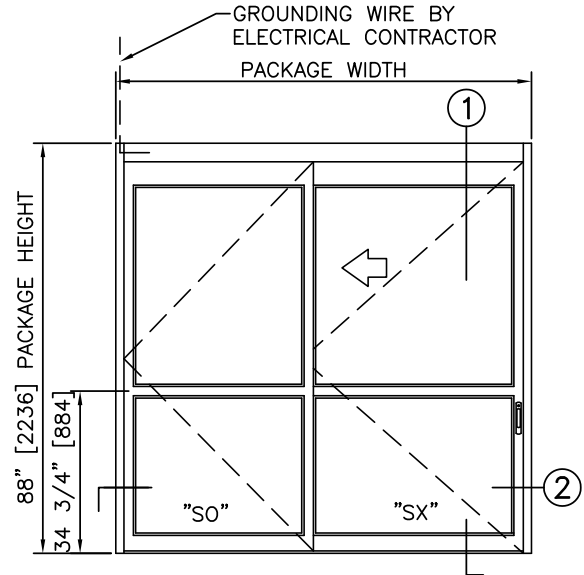


2 HORIZONTAL SECTION

TYPICAL PACKAGE DIMENSIONS (NARROW STILE)				
PACKAGE WIDTH	NOMINAL CLEAR DOOR OPENING	"SX" SLIDING DOOR NOMINAL WIDTH	"SO" SIDELITE NOMINAL WIDTH	BREAKOUT NOMINAL WIDTH
92"	37.3"	48.5"	42.5"	83.1"
98"	40.3"	51.5"	45.5"	89.1"
104"	43.3"	54.5"	48.5"	95.1"



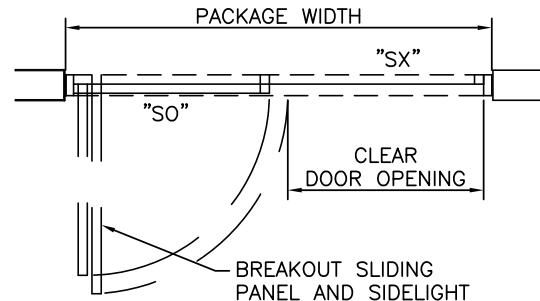
1 VERTICAL SECTION



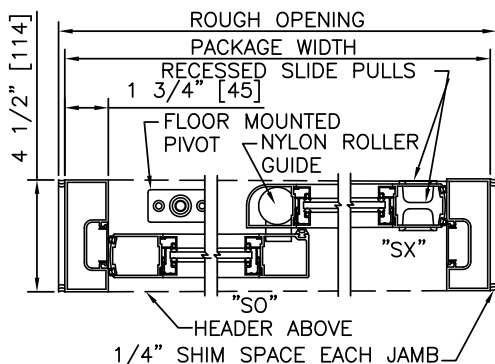
ELEVATION

NOTES

1. PACKAGE SHALL BE GROUNDED TO BUILDING GROUND SYSTEM. GROUNDING WIRE BY ELECTRICAL CONTRACTOR.
2. ROUGH OPENING SHALL PROVIDE 1/4"[6] SHIM SPACE ON SIDES AND TOP OF PACKAGE.
3. STANDARD PACKAGE EXCLUDES LATCHING OR LOCKING. POSITIVE LATCHING AND LOCKING SYSTEMS AVAILABLE.
4. SLIDING PANEL MUST BE MANUALLY SLID TO FULL OPEN POSITION, ENGAGING FLOOR MOUNTED HINGE PIN, PRIOR TO BREAKOUT.
5. SEE SPECIFICATIONS FOR ADDITIONAL INFORMATION.

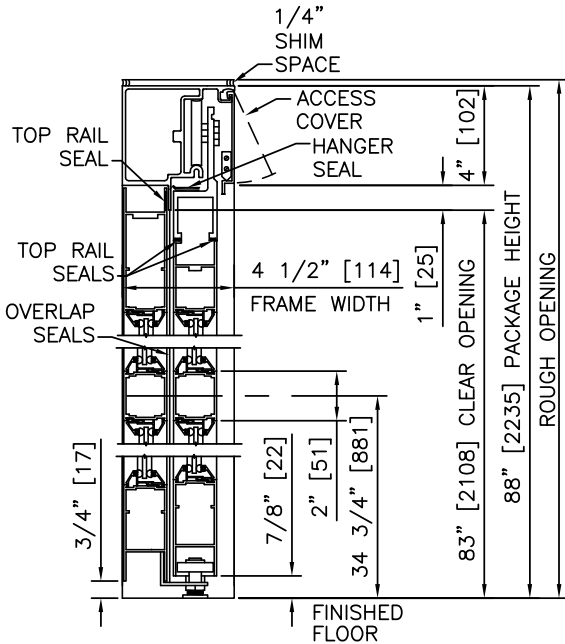


PLAN

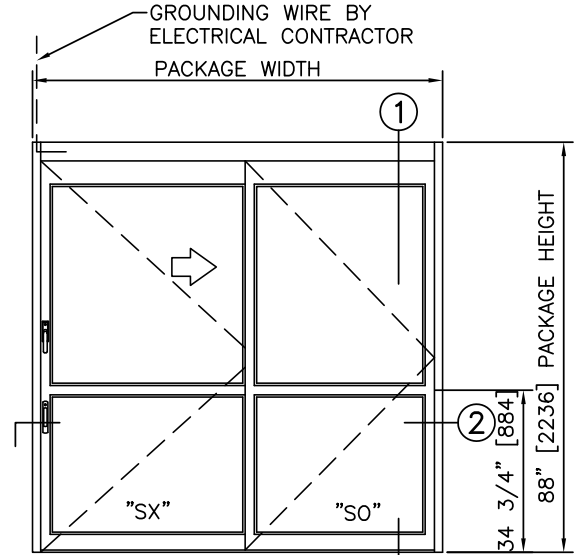


2 HORIZONTAL SECTION

TYPICAL PACKAGE DIMENSIONS (NARROW STILE)				
PACKAGE WIDTH	NOMINAL CLEAR DOOR OPENING	"SX" SLIDING DOOR NOMINAL WIDTH	"SO" SIDELITE NOMINAL WIDTH	BREAKOUT NOMINAL WIDTH
92"	37.3"	48.5"	42.5"	83.1"
98"	40.3"	51.5"	45.5"	89.1"
104"	43.3"	54.5"	48.5"	95.1"



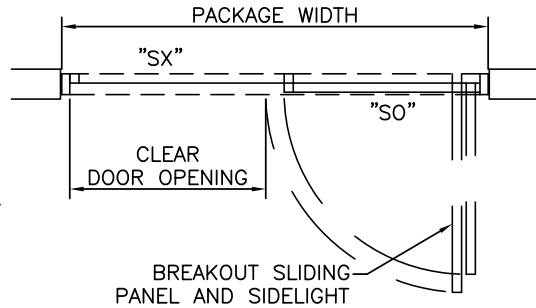
1 VERTICAL SECTION



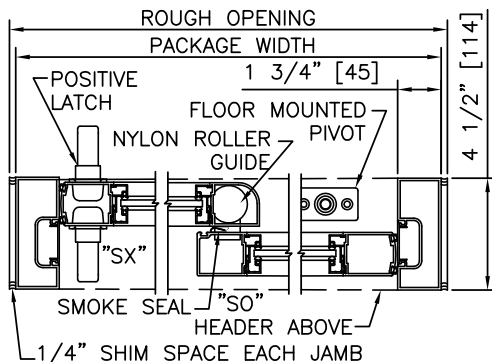
ELEVATION

NOTES

1. PACKAGE SHALL BE GROUNDED TO BUILDING GROUND SYSTEM. GROUNDING WIRE BY ELECTRICAL CONTRACTOR.
2. ROUGH OPENING SHALL PROVIDE 1/4"[6] SHIM SPACE ON SIDES AND TOP OF PACKAGE.
3. STANDARD PACKAGE EXCLUDES LATCHING OR LOCKING. POSITIVE LATCHING AND LOCKING SYSTEMS AVAILABLE.
4. SLIDING PANEL MUST BE MANUALLY SLID TO FULL OPEN POSITION, ENGAGING FLOOR MOUNTED HINGE PIN, PRIOR TO BREAKOUT.
5. PRODUCT IS CERTIFIED AS AN EFFECTIVE BARRIER AGAINST THE PASSAGE OF SMOKE IN ACCORDANCE WITH UL1784
6. SEE SPECIFICATIONS FOR ADDITIONAL INFORMATION.

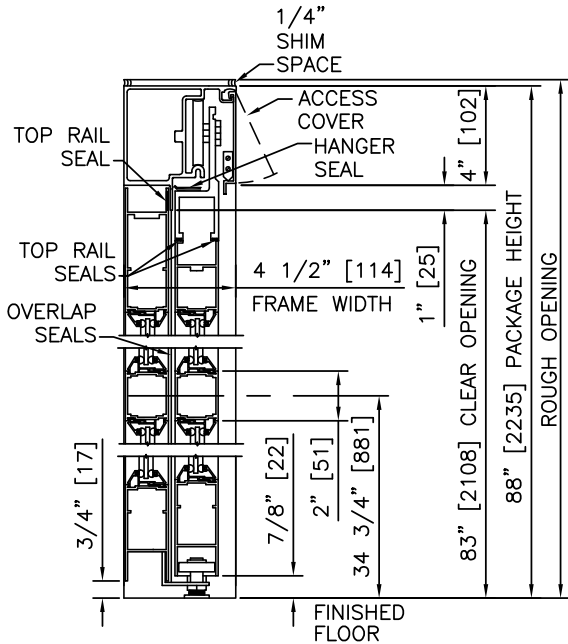


PLAN

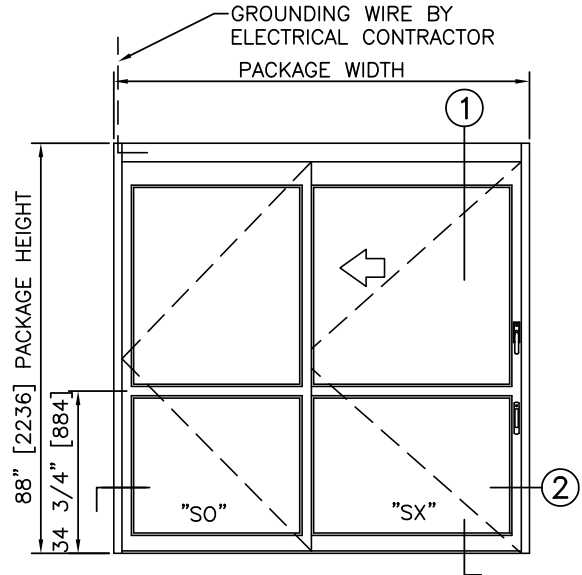


2 HORIZONTAL SECTION

TYPICAL PACKAGE DIMENSIONS (NARROW STILE)				
PACKAGE WIDTH	NOMINAL CLEAR DOOR OPENING	"SX" SLIDING DOOR NOMINAL WIDTH	"SO" SIDELITE NOMINAL WIDTH	BREAKOUT NOMINAL WIDTH
92"	37.3"	48.5"	42.5"	83.1"
98"	40.3"	51.5"	45.5"	89.1"
104"	43.3"	54.5"	48.5"	95.1"



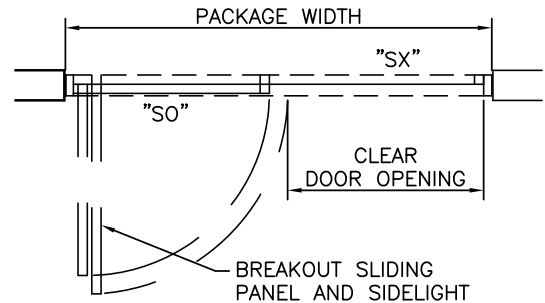
1 VERTICAL SECTION



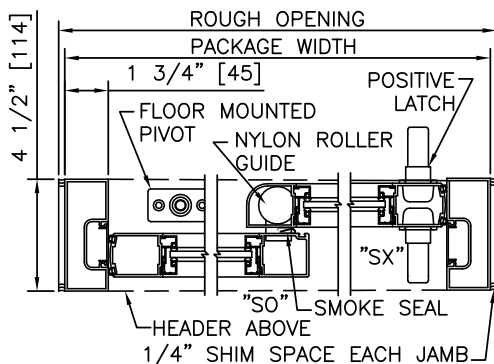
ELEVATION

NOTES

1. PACKAGE SHALL BE GROUNDED TO BUILDING GROUND SYSTEM. GROUNDING WIRE BY ELECTRICAL CONTRACTOR.
2. ROUGH OPENING SHALL PROVIDE 1/4" [6] SHIM SPACE ON SIDES AND TOP OF PACKAGE.
3. STANDARD PACKAGE EXCLUDES LATCHING OR LOCKING. POSITIVE LATCHING AND LOCKING SYSTEMS AVAILABLE.
4. SLIDING PANEL MUST BE MANUALLY SLID TO FULL OPEN POSITION, ENGAGING FLOOR MOUNTED HINGE PIN, PRIOR TO BREAKOUT.
5. PRODUCT IS CERTIFIED AS AN EFFECTIVE BARRIER AGAINST THE PASSAGE OF SMOKE IN ACCORDANCE WITH UL1784
6. SEE SPECIFICATIONS FOR ADDITIONAL INFORMATION.



PLAN



2 HORIZONTAL SECTION

TYPICAL PACKAGE DIMENSIONS (NARROW STILE)				
PACKAGE WIDTH	NOMINAL CLEAR DOOR OPENING	"SX" SLIDING DOOR NOMINAL WIDTH	"SO" SIDELITE NOMINAL WIDTH	BREAKOUT NOMINAL WIDTH
92"	37.3"	48.5"	42.5"	83.1"
98"	40.3"	51.5"	45.5"	89.1"
104"	43.3"	54.5"	48.5"	95.1"