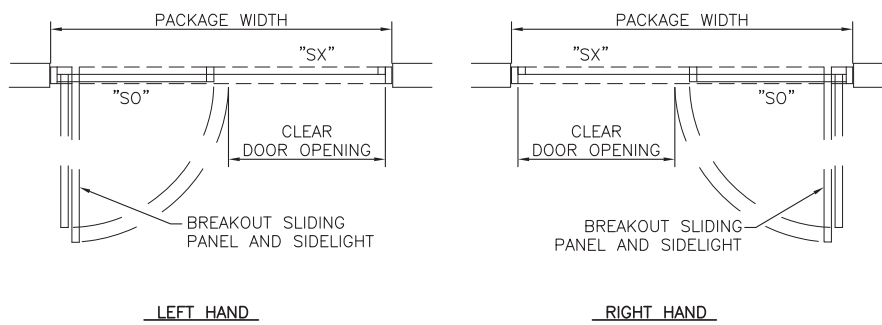
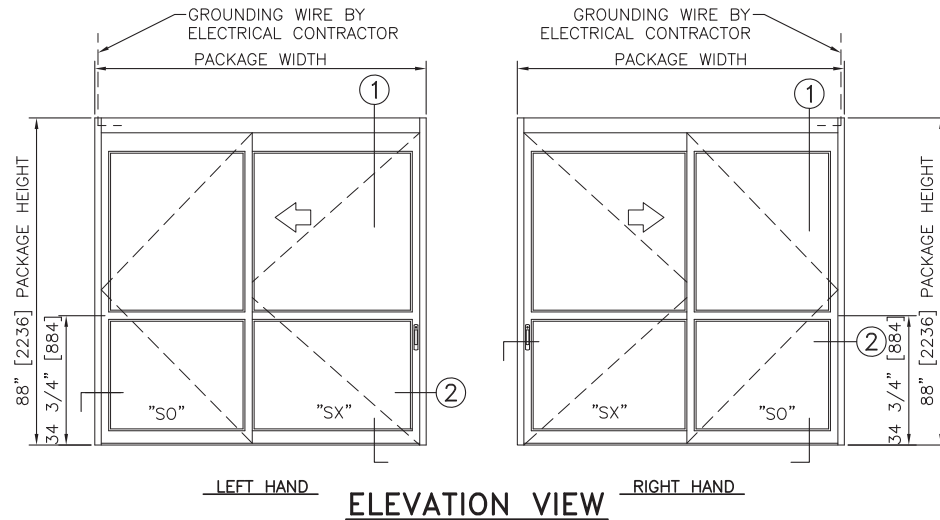
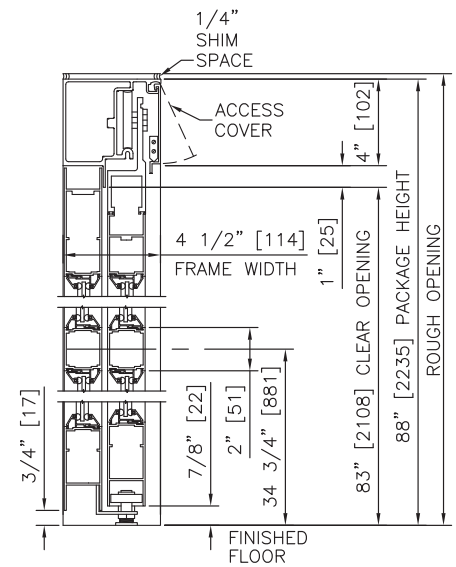




<b>CONFIGURATIONS:</b>	2, 3, & 4-Panel, 2-Panel S&D, Trackless
<b>TYPICAL HEIGHT:</b>	88" (Std); taller available.
<b>TYPICAL WIDTH:</b>	2-Panel (Std); 84" to 108"
<b>HEADER SIZE:</b>	4" Nominal Height
<b>BREAKOUT:</b>	Full Breakout, from Fully Open Position
<b>JAMB DIMENSION:</b>	4 1/2" x 1 3/4"
<b>CLEAR DOOR OPENING:</b>	2-Panel (Std); 33 1/4" to 45 1/4"
<b>BREAKOUT OPENING:</b>	2-Panel (Std); 75 1/8" to 99 1/8"
<b>SUPPORTED GLAZING:</b>	1/4" (Std); 5/8", 1/2", 1" Insulated, Electric Privacy Glass
<b>STILES:</b>	Narrow (Std), and Medium
<b>BOTTOM RAILS:</b>	4" (Std), 6", 8", 10", 12", other custom
<b>FINISHES:</b>	Anodized, PVDF Paint, Anti-Microbial (Touch Points or All)
<b>HARDWARE OPTIONS:</b>	Positive Latch, Single/Multi-Point Locking
<b>LISTINGS:</b>	UL1784
<b>RATINGS:</b>	2-Panel Only: UL 1784 Leakage (Smoke & Draft)
<b>CODES AND STANDARDS:</b>	Smoke Provisions: UL 1784 Leakage (Smoke & Draft)

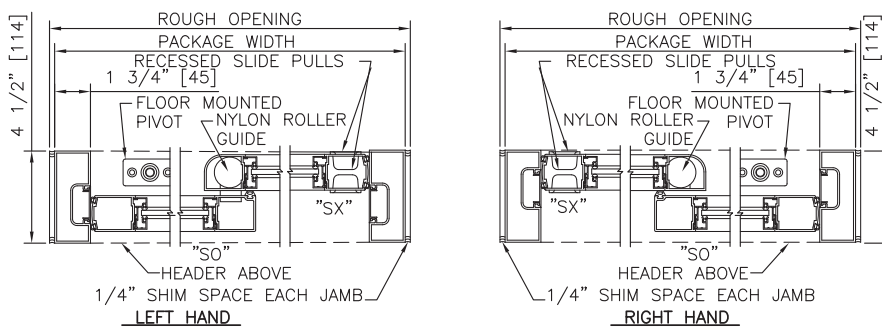


SCALE: 3/8" = 1'-0"



LEFT HAND & RIGHT HAND

SCALE: 2" = 1'-0"



SCALE: 2" = 1'-0"

TYPICAL PACKAGE DIMENSIONS (NARROW STILE)				
PACKAGE WIDTH	NOMINAL CLEAR DOOR OPENING	"SX" SLIDING DOOR NOMINAL WIDTH	"SO" SIDELITE NOMINAL WIDTH	BREAKOUT NOMINAL WIDTH
92"	37.3"	48.5"	42.5"	83.1"
98"	40.3"	51.5"	45.5"	89.1"
104"	43.3"	54.5"	48.5"	95.1"

#### SINGLE SLIDE FORMULAS - NARROW STILE

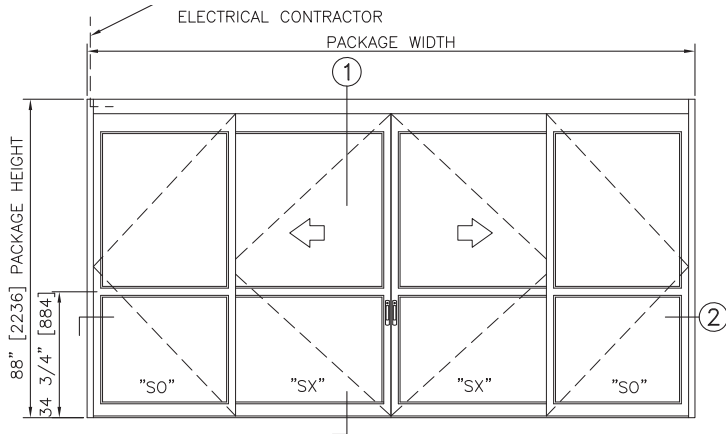
PACKAGE WIDTH = 2 X CLEAR DOOR OPENING + 17.4"  
 CLEAR DOOR OPENING = 1/2 PACKAGE WIDTH - 8.7"  
 EMERGENCY BREAKOUT WIDTH = PACKAGE WIDTH - 8.9"  
 DOOR PANEL WIDTH (SX) = 1/2 PACKAGE WIDTH + 2.5"  
 DOOR PANEL WIDTH (SO) = 1/2 PACKAGE WIDTH - 3.5"

#### SINGLE SLIDE FORMULAS - MEDIUM STILE

PACKAGE WIDTH = 2 X CLEAR DOOR OPENING + 21.8"  
 CLEAR DOOR OPENING = 1/2 PACKAGE WIDTH - 10.9"  
 EMERGENCY BREAKOUT WIDTH = PACKAGE WIDTH - 10.4"  
 DOOR PANEL WIDTH (SX) = 1/2 PACKAGE WIDTH + 3.2"  
 DOOR PANEL WIDTH (SO) = 1/2 PACKAGE WIDTH - 2.8"

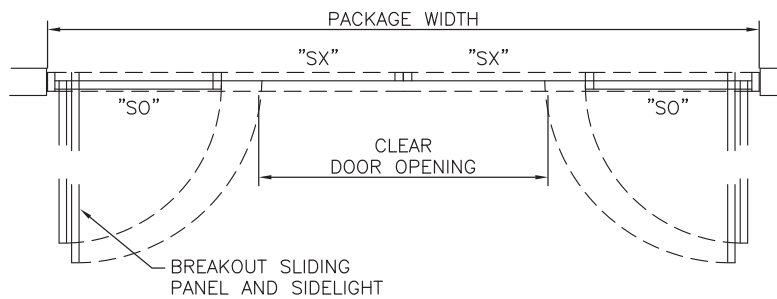
#### NOTES

- PACKAGE SHALL BE GROUNDED TO BUILDING GROUND SYSTEM. GROUNDING WIRE BY ELECTRICAL CONTRACTOR.
- ROUGH OPENING SHALL PROVIDE 1/4"[6] SHIM SPACE ON SIDES AND TOP OF PACKAGE.
- STANDARD PACKAGE EXCLUDES LATCHING OR LOCKING. POSITIVE LATCHING AND LOCKING SYSTEMS AVAILABLE.
- STANDARD GLAZING STOPS FOR ALL PANELS ARE 1/4"[6]; 5/8"[16] AND 1"[25] AVAILABLE.
- STANDARD STILES: BOTTOM RAILS AND MUNTINS SHOWN; 6"[152] AVAILABLE.
- STANDARD STILES: BOTTOM RAILS AND MUNTINS SHOWN; MEDIUM STILES, BOTTOM RAILS TO 12"[305], AND 4 1/4"[108] MUNTINS AVAILABLE.
- SLIDING PANEL MUST BE MANUALLY SLID TO FULL OPEN POSITION AND ENGAGE FLOOR MOUNTED HINGE PIN PRIOR TO PANEL BREAKOUT.



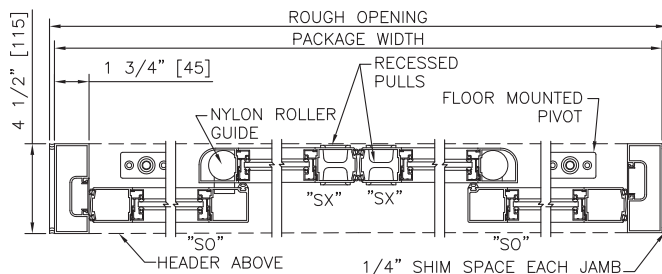
### ELEVATION VIEW

SCALE: 3/8" = 1'-0"



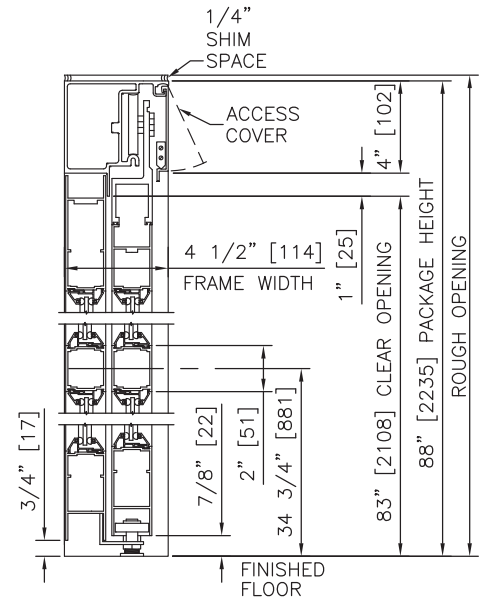
### PLAN VIEW

SCALE: 3/8" = 1'-0"



### ② HORIZONTAL SECTION

SCALE: 2" = 1'-0"



### ① VERTICAL SECTION

SCALE: 2" = 1'-0"

TYPICAL PACKAGE DIMENSIONS (NARROW STILE)			
PACKAGE WIDTH	NOMINAL CLEAR DOOR OPENING	DOOR PANEL NOMINAL WIDTH	EMERGENCY BREAKOUT NOM. WIDTH
120"	48.3"	30.3"	105.5"
144"	60.3"	36.3"	129.5"
168"	72.3"	42.3"	153.5"

#### BI-PART FORMULAS – NARROW STILE

PACKAGE WIDTH = 2 X CLEAR DOOR OPENING + 31.4"  
 CLEAR DOOR OPENING = 1/2 PACKAGE WIDTH - 15.7"  
 BREAKOUT WIDTH = PACKAGE WIDTH - 14.2"  
 DOOR PANEL WIDTH (SX) = 1/4 PACKAGE WIDTH + 3.3"  
 DOOR PANEL WIDTH (SO) = 1/4 PACKAGE WIDTH - 2.7"

#### BI-PART FORMULAS – MEDIUM STILE

PACKAGE WIDTH = 2 X CLEAR DOOR OPENING + 40.0"  
 CLEAR DOOR OPENING = 1/2 PACKAGE WIDTH - 20.0"  
 BREAKOUT WIDTH = PACKAGE WIDTH - 17.2"  
 DOOR PANEL WIDTH (SX) = 1/4 PACKAGE WIDTH + 4.1"  
 DOOR PANEL WIDTH (SO) = 1/4 PACKAGE WIDTH - 1.9"

#### NOTES

1. PACKAGE SHALL BE GROUNDED TO BUILDING GROUND SYSTEM. GROUNDING WIRE BY ELECTRICAL CONTRACTOR.
2. ROUGH OPENING SHALL PROVIDE 1/4"[6] SHIM SPACE ON SIDES AND TOP OF PACKAGE.
3. STANDARD PACKAGE EXCLUDES LATCHING OR LOCKING. LOCKING SYSTEMS AVAILABLE.
4. STANDARD GLAZING STOPS FOR ALL PANELS ARE 1/4"[6]; 5/8"[16] AND 1"[25] AVAILABLE.
5. STANDARD JAMB TUBES SHOWN; 6"[152] AVAILABLE.
6. STANDARD STILES, BOTTOM RAILS AND MUNTINS SHOWN; MEDIUM STILES, BOTTOM RAILS TO 12"[305], AND 4 1/4"[108] MUNTINS AVAILABLE.
7. SLIDING PANEL MUST BE MANUALLY SLID TO FULL OPEN POSITION AND ENGAGE FLOOR MOUNTED HINGE PIN PRIOR TO PANEL BREAKOUT.