

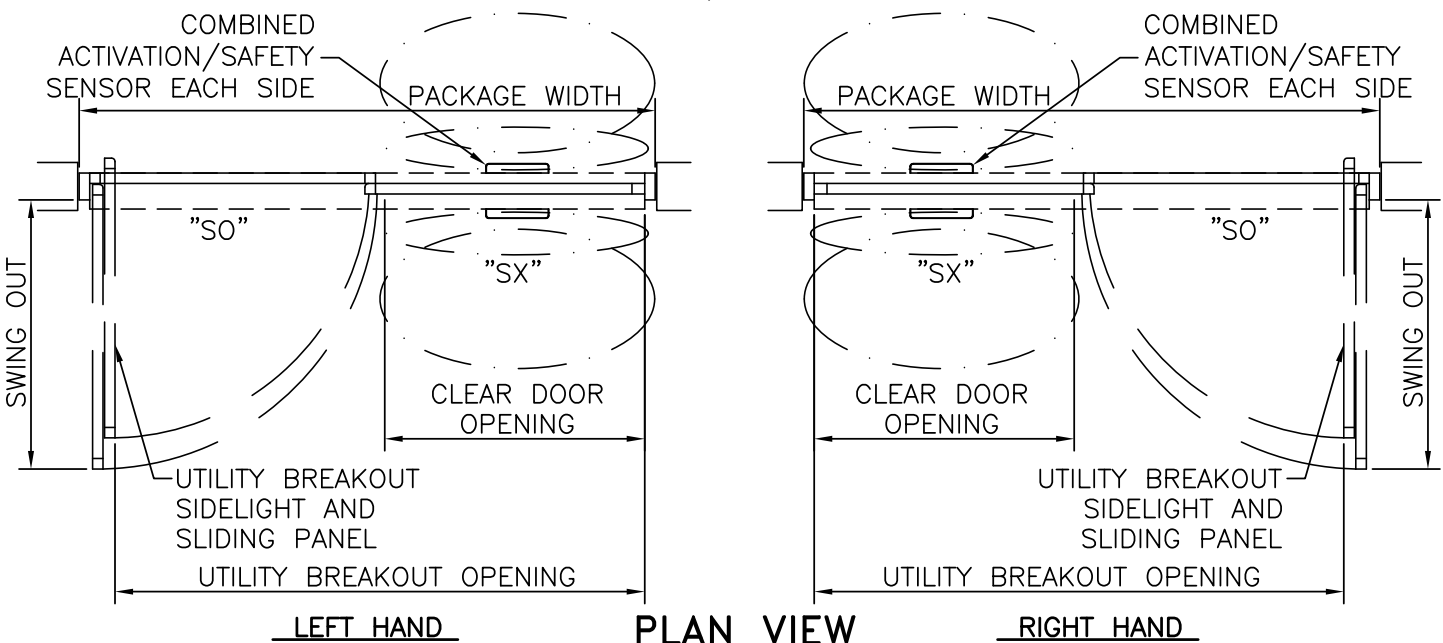
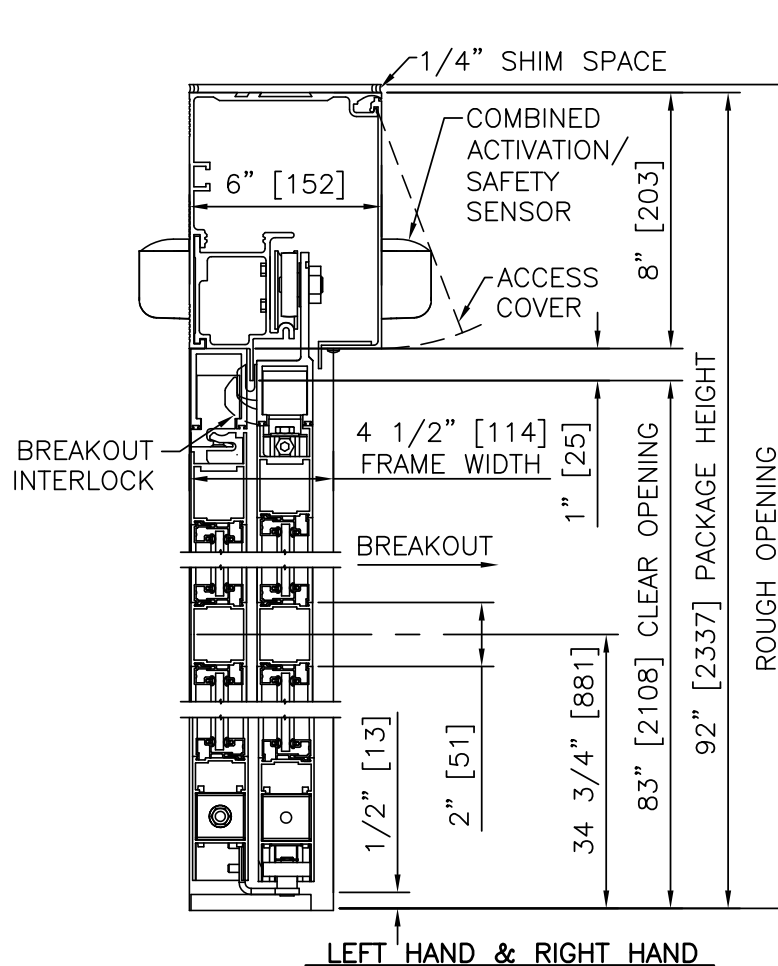
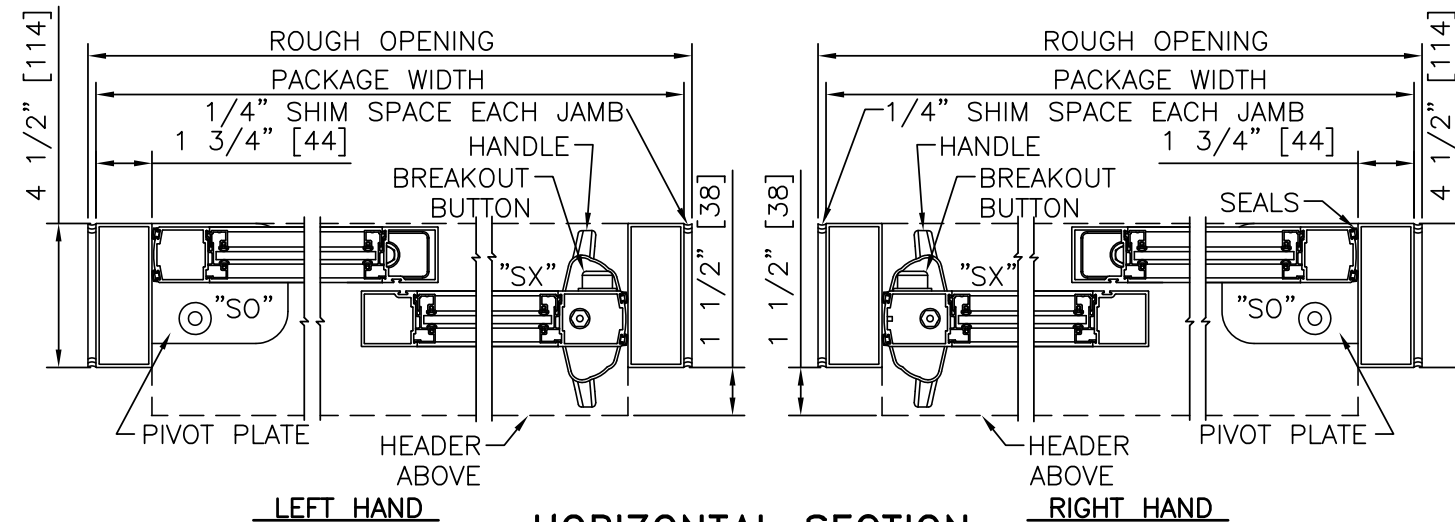
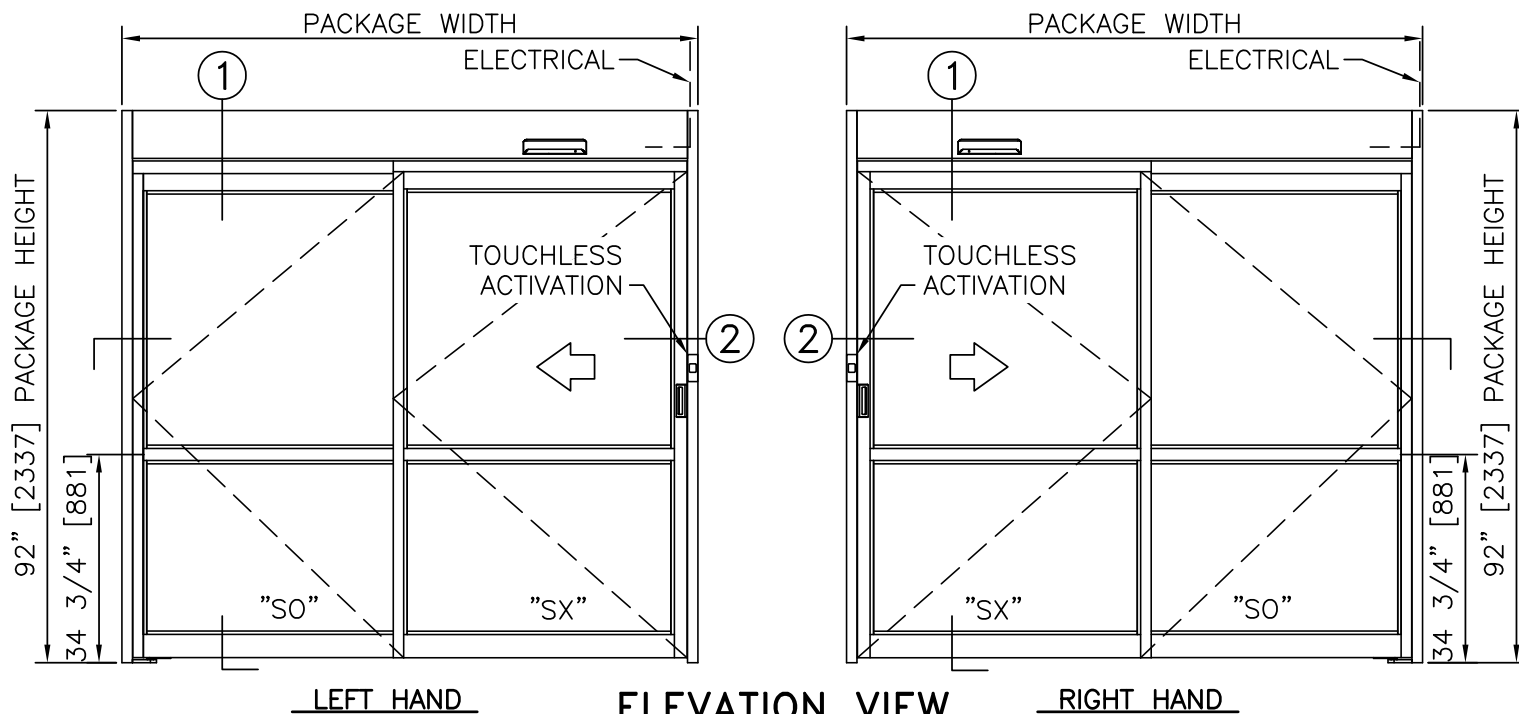
STANLEY
Access Technologies

PROCARE™
8300A
SERIES

SINGLE SLIDE TRACKLESS, AUTOMATIC

PROJECT INFORMATION

PROJECT NAME: _____
 LOCATION: _____
 DOOR NUMBER(S): _____
 DATE: _____ SHEET: OF _____



- PRODUCT OPTIONS**
- OPERATING STANDARD
 - A156.10
 - A156.38
 - FINISH
 - ANODIZED CLEAR CL2
 - CUSTOM
 - LATCHING/LOCKING
 - POSITIVE LATCH W/ ELECTRIC STRIKE
 - 1-POINT LOCK
 - LOCK INDICATOR
 - BOTTOM RAILS
 - STANDARD 4"
 - OPTIONAL 6" 8" 10" 12"
 - MUNTINS
 - 2"
 - 4 1/4"
 - QUANTITY 0 1 2
 - ACTIVATION AND SAFETY
 - COMBINED ACTIVATION/SAFETY SENSORS
 - TOUCHLESS ACTIVATION
 - GLAZING
 - TEMPERED GLASS
 - PRIVACY GLASS BLINDS
 - ELECTRIC PRIVACY GLASS
 - OTHER OPTIONS
 - SMOKE & DRAFT CONTROL PACKAGE
 - ISOLATION PACKAGE (+/- PRESSURE)
 - ANTI-MICROBIAL COATING
 - TOUCH POINTS
 - PANELS, FRAME, HEADER
 - STC PACKAGE

NOTES

1. ELECTRICAL REQUIREMENTS: BY ELECTRICAL CONTRACTOR.
120 VAC, 5 AMP MIN TO POWER OPERATOR
CONTROL CIRCUIT FROM REMOTE ACTIVATION TO OPERATOR.
2. ROUGH OPENING SHALL PROVIDE 1/4"[6] SHIM SPACE ON SIDES AND TOP OF PACKAGE.
3. STANDARD PACKAGE EXCLUDES LATCHING OR LOCKING. POSITIVE LATCHING AND LOCKING SYSTEMS AVAILABLE; POSITIVE LATCHING INCLUDED ON LEAKAGE RATED ASSEMBLIES; SMOKE & DRAFT, AND ISOLATION PACKAGES.
4. STANDARD GLAZING STOPS FOR ALL PANELS ARE 1/4"[6]; 1/2"[13], 5/8"[16], AND 1"[25] AVAILABLE.
5. STANDARD STILES, BOTTOM RAILS AND MUNTINS SHOWN; BOTTOM RAILS TO 12"[305], AND 4 1/4"[108] MUNTINS AVAILABLE.
6. SLIDING PANELS MUST BE DRIVEN TO FULL OPEN POSITION AND ENGAGE FLOOR MOUNTED HINGE PINS PRIOR TO PANEL BREAKOUT.
7. LIMITS OF ACTIVATION AND SAFETY ZONES ARE FOR REFERENCE ONLY; SEE ANSI/BHMA A156.10 FOR DETAILED REQUIREMENT. SENSORS NOT REQUIRED WHEN INSTALLED TO OPERATE UNDER ANSI/BHMA A156.38 STANDARD.
8. SEE SPECIFICATIONS FOR ADDITIONAL INFORMATION.

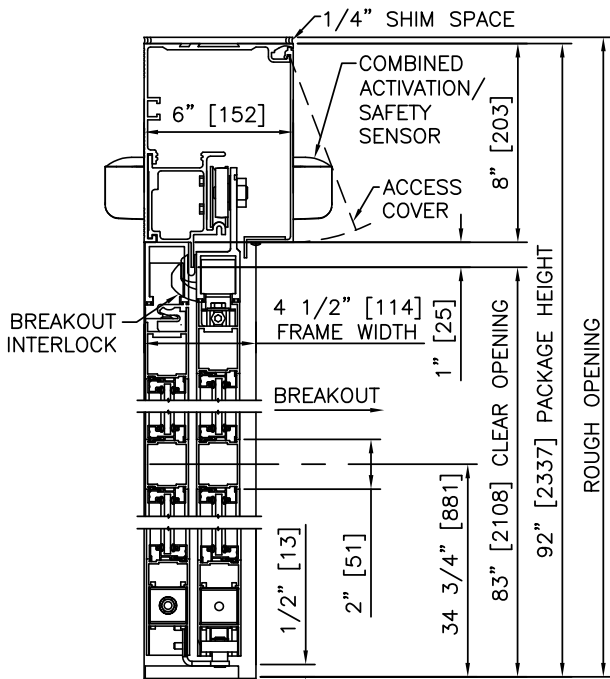
TYPICAL PACKAGE DIMENSIONS					
PACKAGE WIDTH	NOMINAL CLEAR DOOR OPENING	SLIDING DOOR NOMINAL WIDTH	SIDLIGHT NOMINAL WIDTH	UTILITY BREAKOUT NOMINAL WIDTH	SWING OUT NOMINAL WIDTH
84" [2134]	37.3" [949]	42.7" [1086]	39.9" [1013]	76.3" [1937]	40.5" [1028]
96" [2438]	43.3" [1101]	48.7" [1238]	45.9" [1165]	88.3" [2242]	46.5" [1181]
108" [2743]	49.3" [1253]	54.7" [1391]	51.9" [1318]	100.3" [2546]	52.5" [1333]

SINGLE SLIDE FORMULAS
 PACKAGE WIDTH = 2 X CLEAR DOOR OPENING + 9.3"[236]
 CLEAR DOOR OPENING = 1/2 PACKAGE WIDTH - 4.7"[118]
 UTILITY BREAKOUT WIDTH = PACKAGE WIDTH - 7.7"[197]
 SX DOOR PANEL WIDTH = 1/2 PACKAGE WIDTH + 0.7"[19]
 SO DOOR PANEL WIDTH = 1/2 PACKAGE WIDTH - 2.1"[54]
 SWING OUT WIDTH = SX PANEL WIDTH - 2.3"[57]

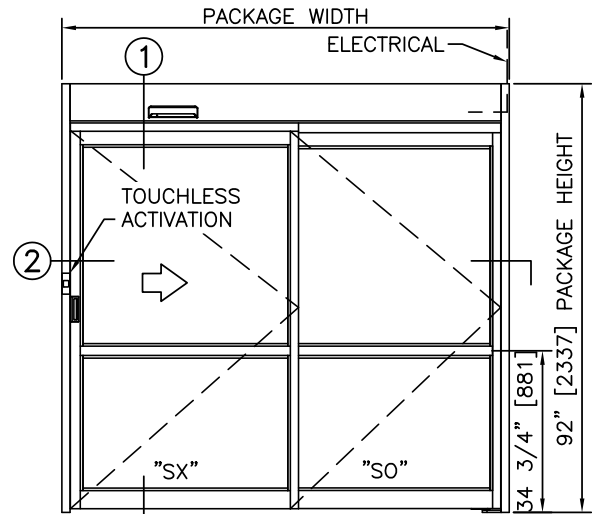
SINGLE SLIDE TRACKLESS, AUTOMATIC

PROCARE™
8300A
SERIES

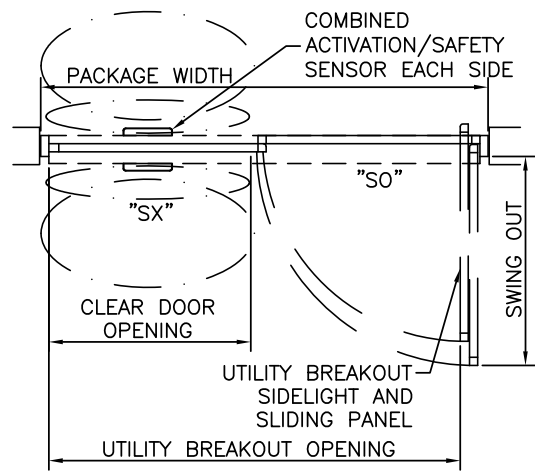
STANLEY
Access Technologies



① VERTICAL SECTION



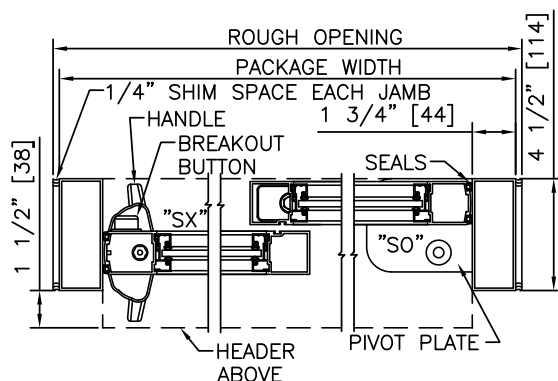
ELEVATION



PLAN

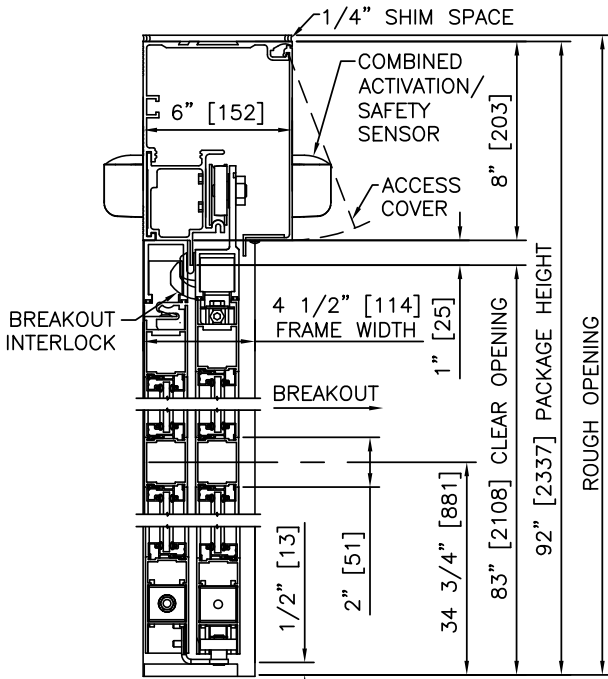
NOTES

1. ELECTRICAL REQUIREMENTS: BY ELECTRICAL CONTRACTOR.
120 VAC, 5 AMP MIN TO POWER OPERATOR CONTROL CIRCUIT FROM REMOTE ACTIVATION TO OPERATOR.
2. ROUGH OPENING SHALL PROVIDE 1/4"[6] SHIM SPACE ON SIDES AND TOP OF PACKAGE.
3. STANDARD PACKAGE EXCLUDES LATCHING OR LOCKING. POSITIVE LATCHING AND LOCKING SYSTEMS AVAILABLE; POSITIVE LATCHING INCLUDED ON LEAKAGE RATED ASSEMBLIES.
4. SLIDING PANELS MUST BE DRIVEN TO FULL OPEN POSITION AND ENGAGE FLOOR MOUNTED HINGE PINS PRIOR TO PANEL BREAKOUT.
5. LIMITS OF ACTIVATION AND SAFETY ZONES ARE FOR REFERENCE ONLY; SEE ANSI/BHMA A156.10 FOR DETAILED REQUIREMENTS. SENSORS NOT REQUIRED WHEN INSTALLED TO OPERATE UNDER ANSI/BHMA A156.38 STANDARD
6. SEE SPECIFICATIONS FOR ADDITIONAL INFORMATION.

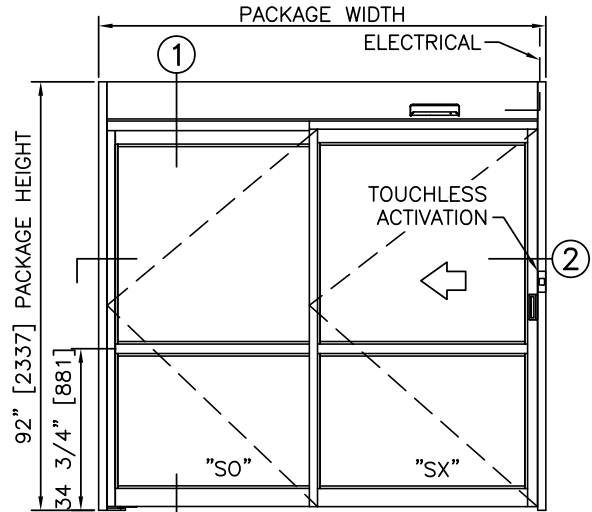


② HORIZONTAL SECTION

TYPICAL PACKAGE DIMENSIONS					
PACKAGE WIDTH	NOMINAL CLEAR DOOR OPENING	SLIDING DOOR NOMINAL WIDTH	SIDLIGHT NOMINAL WIDTH	UTILITY BREAKOUT NOMINAL WIDTH	SWING OUT NOMINAL WIDTH
84" [2134]	37.3" [949]	42.7" [1086]	39.9" [1013]	76.3" [1937]	40.5" [1028]
96" [2438]	43.3" [1101]	48.7" [1238]	45.9" [1165]	88.3" [2242]	46.5" [1181]
108" [2743]	49.3" [1253]	54.7" [1391]	51.9" [1318]	100.3" [2546]	52.5" [1333]



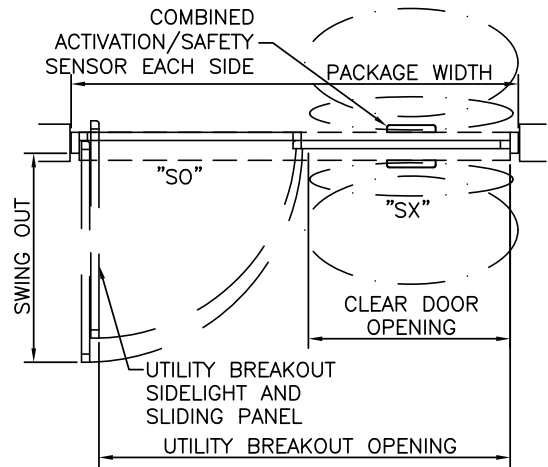
① VERTICAL SECTION



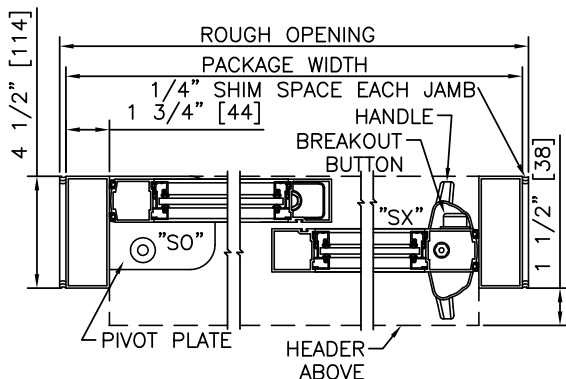
ELEVATION

NOTES

1. ELECTRICAL REQUIREMENTS: BY ELECTRICAL CONTRACTOR.
120 VAC, 5 AMP MIN TO POWER OPERATOR CONTROL CIRCUIT FROM REMOTE ACTIVATION TO OPERATOR.
2. ROUGH OPENING SHALL PROVIDE 1/4"[6] SHIM SPACE ON SIDES AND TOP OF PACKAGE.
3. STANDARD PACKAGE EXCLUDES LATCHING OR LOCKING. POSITIVE LATCHING AND LOCKING SYSTEMS AVAILABLE; POSITIVE LATCHING INCLUDED ON LEAKAGE RATED ASSEMBLIES.
4. SLIDING PANELS MUST BE DRIVEN TO FULL OPEN POSITION AND ENGAGE FLOOR MOUNTED HINGE PINS PRIOR TO PANEL BREAKOUT.
5. LIMITS OF ACTIVATION AND SAFETY ZONES ARE FOR REFERENCE ONLY; SEE ANSI/BHMA A156.10 FOR DETAILED REQUIREMENTS. SENSORS NOT REQUIRED WHEN INSTALLED TO OPERATE UNDER ANSI/BHMA A156.38 STANDARD
6. SEE SPECIFICATIONS FOR ADDITIONAL INFORMATION.

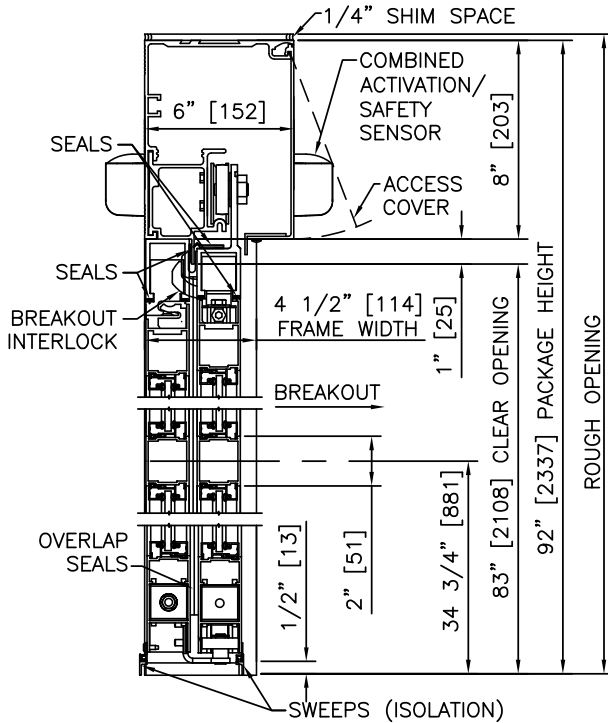


PLAN

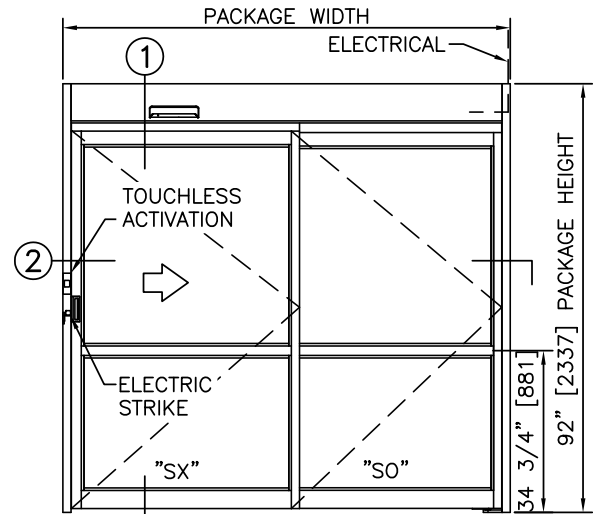


② HORIZONTAL SECTION

TYPICAL PACKAGE DIMENSIONS					
PACKAGE WIDTH	NOMINAL CLEAR DOOR OPENING	SLIDING DOOR NOMINAL WIDTH	SIDELIGHT NOMINAL WIDTH	UTILITY BREAKOUT NOMINAL WIDTH	SWING OUT NOMINAL WIDTH
84" [2134]	37.3" [949]	42.7" [1086]	39.9" [1013]	76.3" [1937]	40.5" [1028]
96" [2438]	43.3" [1101]	48.7" [1238]	45.9" [1165]	88.3" [2242]	46.5" [1181]
108" [2743]	49.3" [1253]	54.7" [1391]	51.9" [1318]	100.3" [2546]	52.5" [1333]



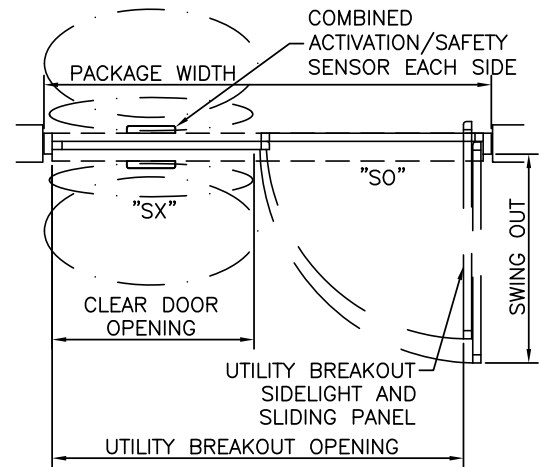
① VERTICAL SECTION



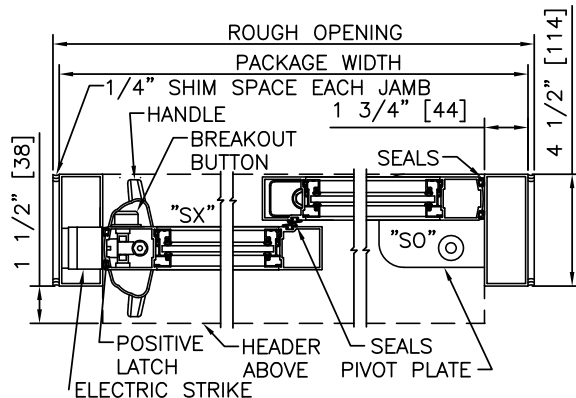
ELEVATION

NOTES

1. ELECTRICAL REQUIREMENTS: BY ELECTRICAL CONTRACTOR. 120 VAC, 5 AMP MIN TO POWER OPERATOR CONTROL CIRCUIT FROM REMOTE ACTIVATION TO OPERATOR.
2. ROUGH OPENING SHALL PROVIDE 1/4"[6] SHIM SPACE ON SIDES AND TOP OF PACKAGE.
3. STANDARD PACKAGE INCLUDES POSITIVE LATCHING. LOCKING SYSTEMS AVAILABLE.
4. SLIDING PANELS MUST BE DRIVEN TO FULL OPEN POSITION AND ENGAGE FLOOR MOUNTED HINGE PINS PRIOR TO PANEL BREAKOUT.
5. LIMITS OF ACTIVATION AND SAFETY ZONES ARE FOR REFERENCE ONLY; SEE ANSI/BHMA A156.10 FOR DETAILED REQUIREMENTS. SENSORS NOT REQUIRED WHEN INSTALLED TO OPERATE UNDER ANSI/BHMA A156.38 STANDARD.
6. PRODUCT IS CERTIFIED AS AN EFFECTIVE BARRIER AGAINST THE PASSAGE OF SMOKE IN ACCORDANCE WITH UL1784 AND NFPA 105.
7. SEE SPECIFICATIONS FOR ADDITIONAL INFORMATION.

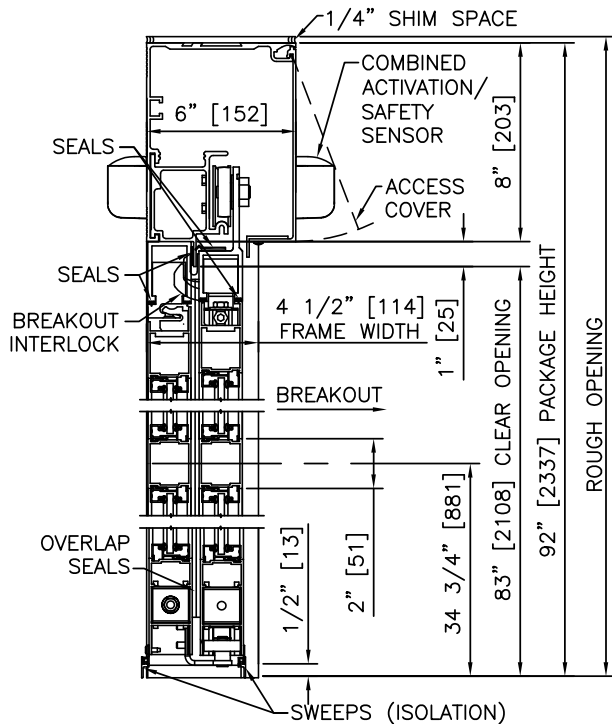


PLAN

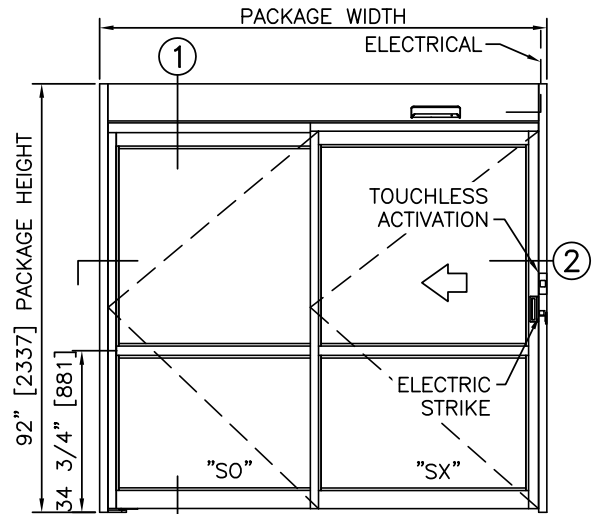


② HORIZONTAL SECTION

TYPICAL PACKAGE DIMENSIONS					
PACKAGE WIDTH	NOMINAL CLEAR DOOR OPENING	SLIDING DOOR NOMINAL WIDTH	SIDLIGHT NOMINAL WIDTH	UTILITY BREAKOUT NOMINAL WIDTH	SWING OUT NOMINAL WIDTH
84" [2134]	37.3" [949]	42.7" [1086]	39.9" [1013]	76.3" [1937]	40.5" [1028]
96" [2438]	43.3" [1101]	48.7" [1238]	45.9" [1165]	88.3" [2242]	46.5" [1181]
108" [2743]	49.3" [1253]	54.7" [1391]	51.9" [1318]	100.3" [2546]	52.5" [1333]



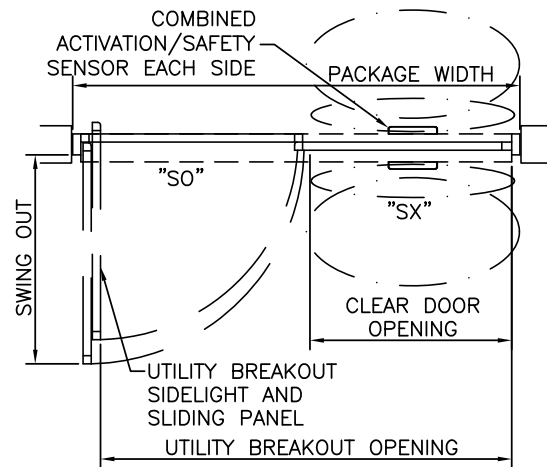
1 VERTICAL SECTION



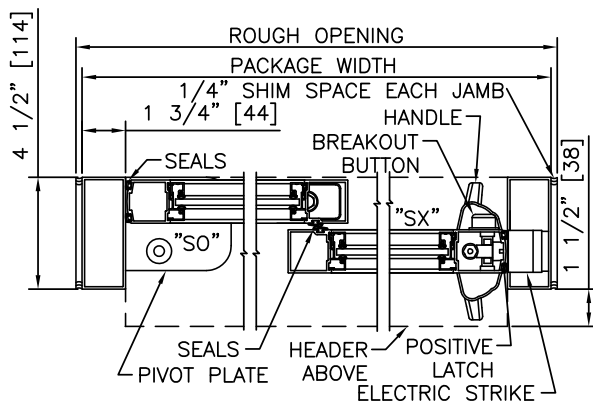
ELEVATION

NOTES

1. ELECTRICAL REQUIREMENTS: BY ELECTRICAL CONTRACTOR. 120 VAC, 5 AMP MIN TO POWER OPERATOR CONTROL CIRCUIT FROM REMOTE ACTIVATION TO OPERATOR.
2. ROUGH OPENING SHALL PROVIDE 1/4"[6] SHIM SPACE ON SIDES AND TOP OF PACKAGE.
3. STANDARD PACKAGE INCLUDES POSITIVE LATCHING. LOCKING SYSTEMS AVAILABLE.
4. SLIDING PANELS MUST BE DRIVEN TO FULL OPEN POSITION AND ENGAGE FLOOR MOUNTED HINGE PINS PRIOR TO PANEL BREAKOUT.
5. LIMITS OF ACTIVATION AND SAFETY ZONES ARE FOR REFERENCE ONLY; SEE ANSI/BHMA A156.10 FOR DETAILED REQUIREMENTS. SENSORS NOT REQUIRED WHEN INSTALLED TO OPERATE UNDER ANSI/BHMA A156.38 STANDARD.
6. PRODUCT IS CERTIFIED AS AN EFFECTIVE BARRIER AGAINST THE PASSAGE OF SMOKE IN ACCORDANCE WITH UL1784 AND NFPA 105.
7. SEE SPECIFICATIONS FOR ADDITIONAL INFORMATION.



PLAN



2 HORIZONTAL SECTION

TYPICAL PACKAGE DIMENSIONS					
PACKAGE WIDTH	NOMINAL CLEAR DOOR OPENING	SLIDING DOOR NOMINAL WIDTH	SIDELIGHT NOMINAL WIDTH	UTILITY BREAKOUT NOMINAL WIDTH	SWING OUT NOMINAL WIDTH
84" [2134]	37.3" [949]	42.7" [1086]	39.9" [1013]	76.3" [1937]	40.5" [1028]
96" [2438]	43.3" [1101]	48.7" [1238]	45.9" [1165]	88.3" [2242]	46.5" [1181]
108" [2743]	49.3" [1253]	54.7" [1391]	51.9" [1318]	100.3" [2546]	52.5" [1333]