

AUTOMATIC SWING DOOR OPENER M-FORCE™ (Next Generation Magic-Force)

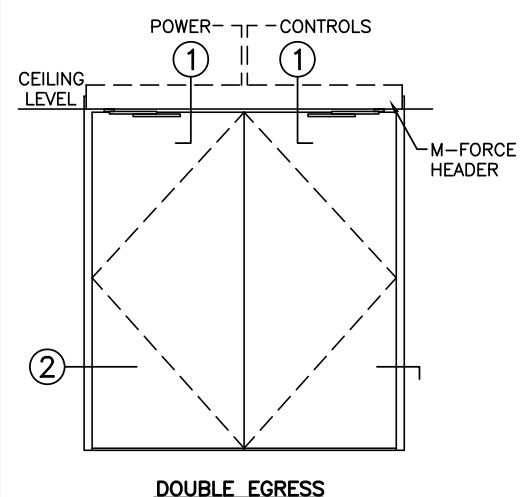
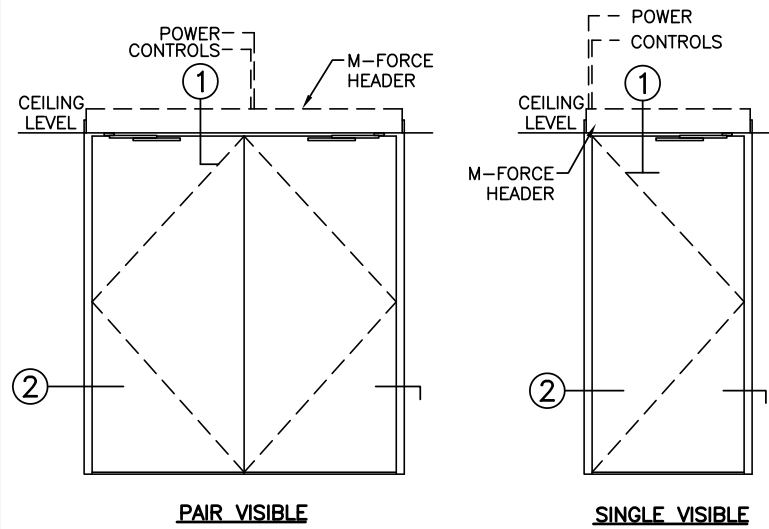
4.08- LOW ENERGY OPERATOR, BOTTOM LOAD, ON HM/WOOD DOOR & FRAME

- **4.08.01 - LE OPERATOR, HMW FRAME, BOTTOM LOAD, SURFACE, RH-IN**
- **4.08.02 - LE OPERATOR, HMW FRAME, BOTTOM LOAD, SURFACE, LH-IN**
- **4.08.03 - LE OPERATOR, HMW FRAME, BOTTOM LOAD, SURFACE, RH-OUT**
- **4.08.04 - LE OPERATOR, HMW FRAME, BOTTOM LOAD, SURFACE, LH-OUT**
- **4.08.05 - LE OPERATOR, HMW FRAME, BOTTOM LOAD, SURFACE, PAIR IN**
- **4.08.06 - LE OPERATOR, HMW FRAME, BOTTOM LOAD, SURFACE, PAIR OUT**
- **4.08.07 - LE OPERATOR, HMW FRAME, BOTTOM LOAD, CONCEALED, RH**

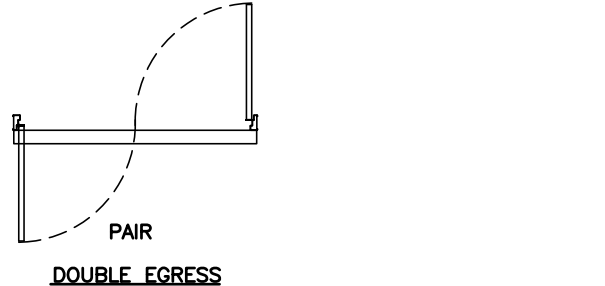
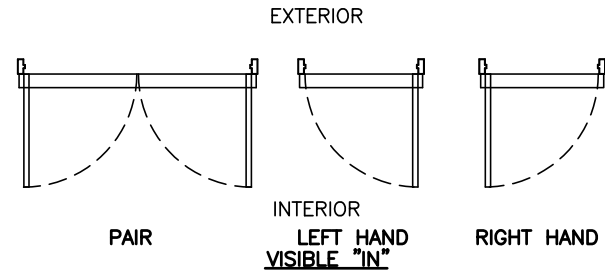
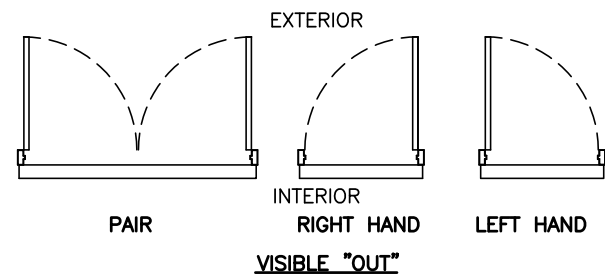
STANLEY
Access Technologies

M-FORCE™
(NEXT GENERATION MAGIC-FORCE™)

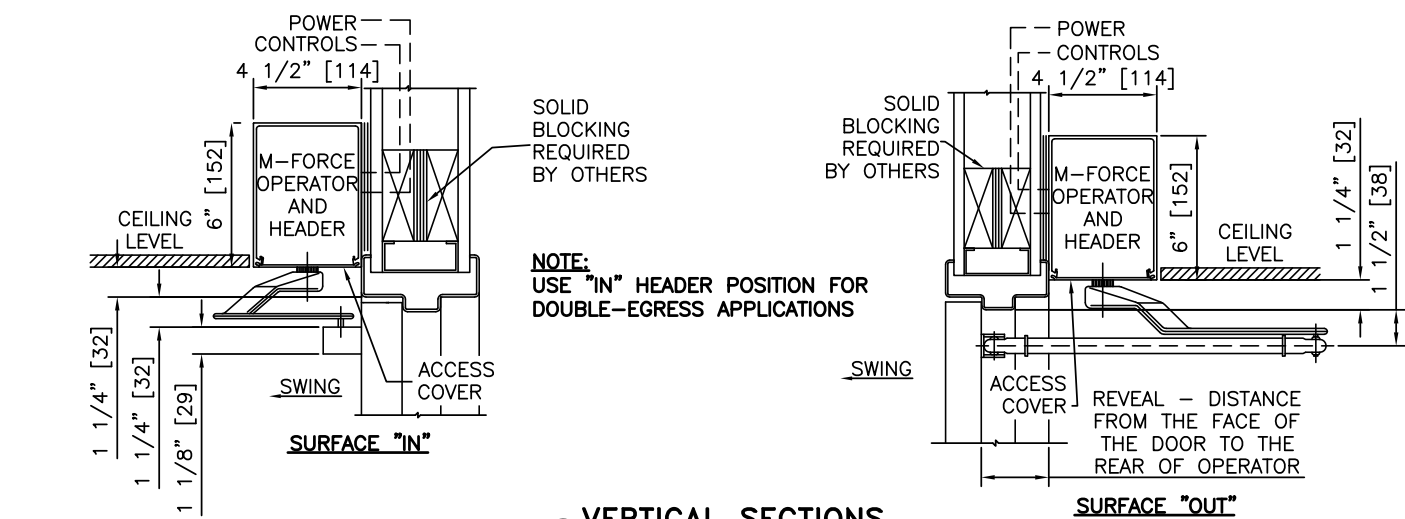
LOW-ENERGY OPERATOR, BOTTOM LOAD, H.M./WOOD DOOR & FRAME	
PROJECT INFORMATION	
PROJECT NAME:	
LOCATION:	
DOOR NUMBER(S):	
DATE:	SHEET: OF



ELEVATIONS
SCALE: 1/4" = 1'-0"

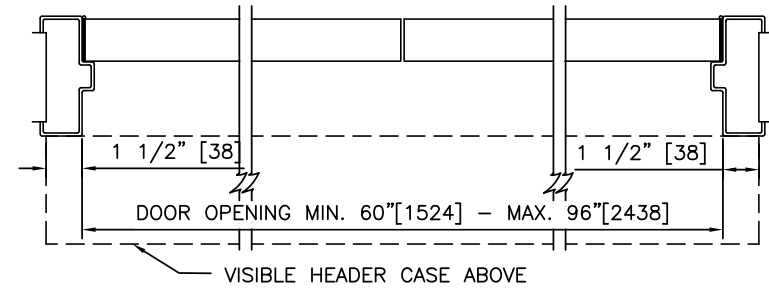


PLAN VIEWS
SCALE: 3/16" = 1'-0"

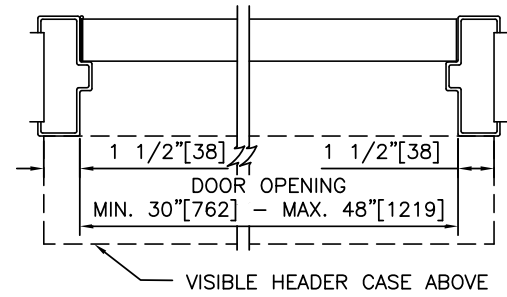


NOTE:
USE "IN" HEADER POSITION FOR DOUBLE-EGRESS APPLICATIONS

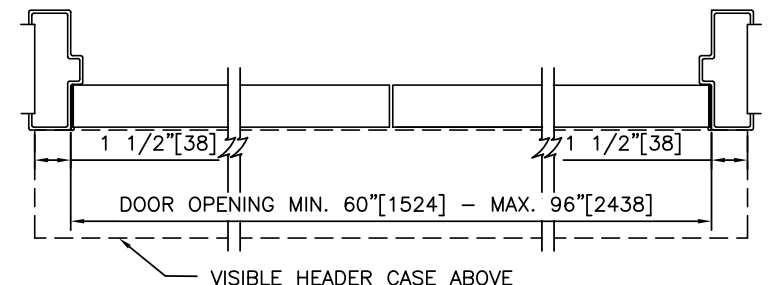
1 VERTICAL SECTIONS
SCALE: 1 1/2" = 1'-0"



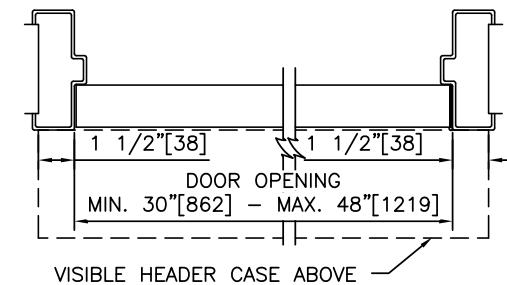
PAIR VISIBLE "OUT"



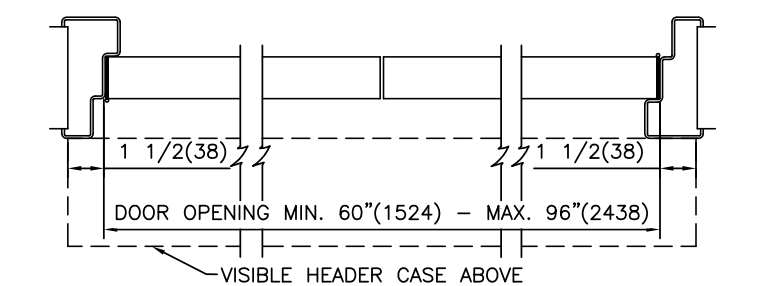
SINGLE VISIBLE "OUT"



PAIR VISIBLE "IN"



SINGLE VISIBLE "IN"



DOUBLE EGRESS

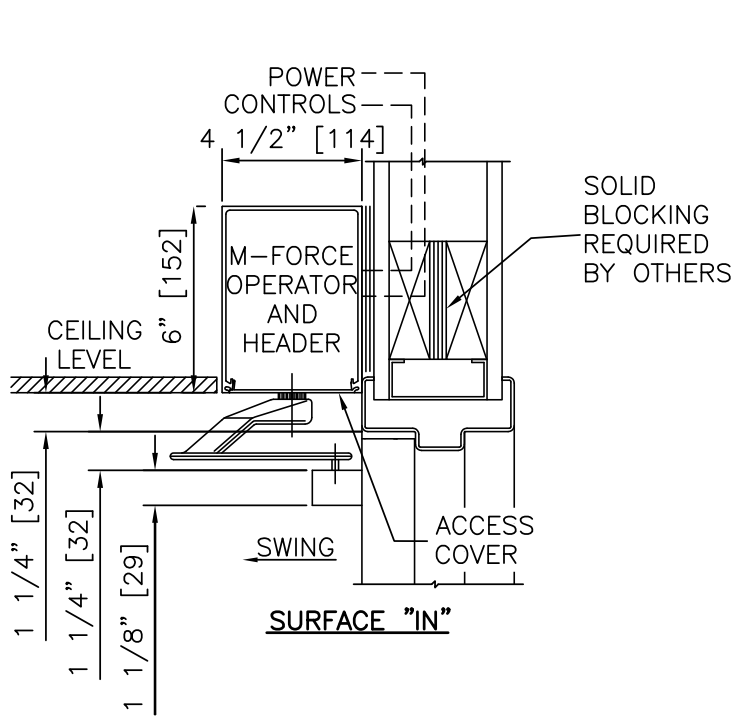
2 HORIZONTAL SECTIONS
SCALE: 1 1/2" = 1'-0"

- NOTES**
- ELECTRICAL REQUIREMENTS: BY ELECTRICAL CONTRACTOR
 - 120 VAC, 5 AMP MIN TO OPERATOR.
 - CONTROL CIRCUIT FROM ACTIVATION TO OPERATOR.
 - DOORS, FRAMES, AND HARDWARE BY OTHERS.
 - DOORS MUST BE UN-LATCHED FOR PROPER OPERATION. PROVIDE TIME DELAY RELAY WHEN REQUIRED FOR PROPER OPERATION.
 - OPERATOR AND INSTALLATION TO COMPLY WITH ANSI/BHMA A156.19.
 - SEE SPECIFICATIONS FOR ADDITIONAL INFORMATION.

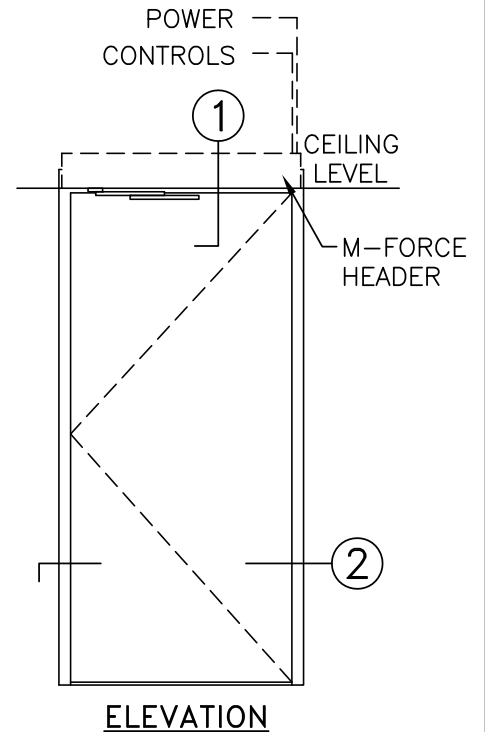
LOW-ENERGY OPERATOR, BOTTOM LOAD, H.M./WOOD DOOR & FRAME

M-FORCE™
(NEXT GENERATION MAGIC-FORCE™)

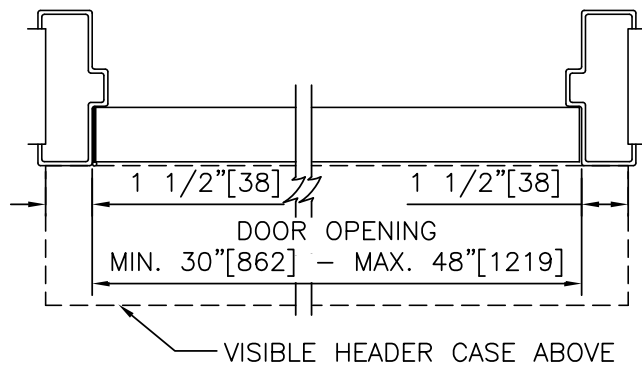
STANLEY
Access Technologies



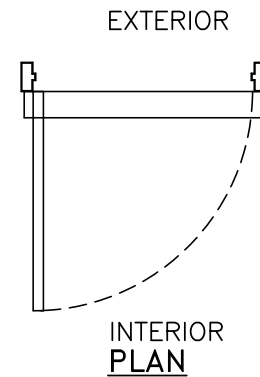
① VERTICAL SECTION



ELEVATION

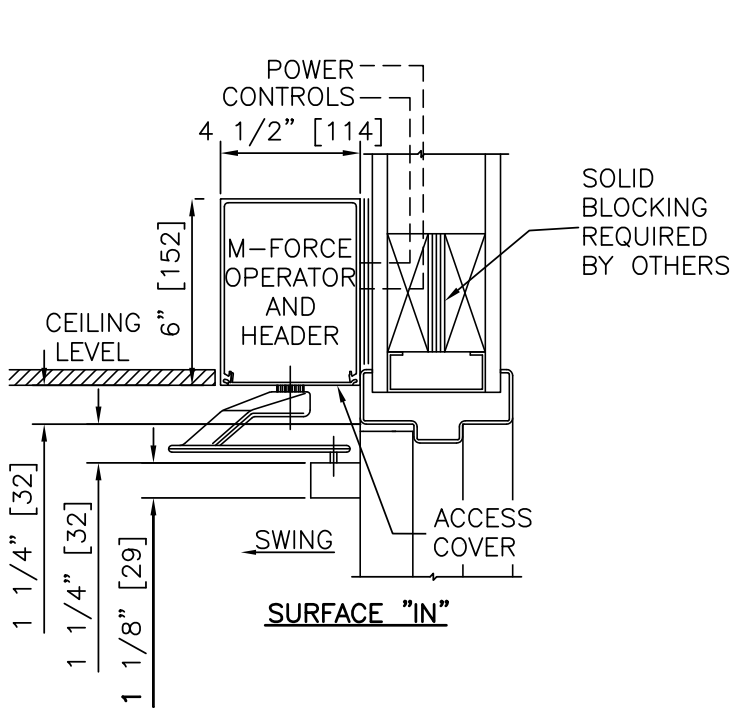


② HORIZONTAL SECTION

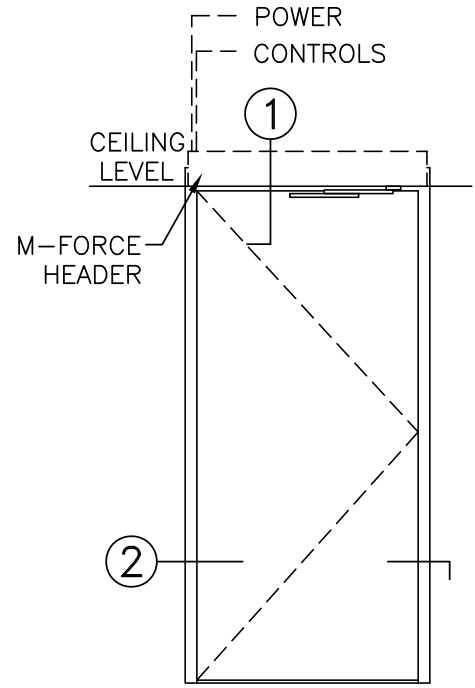


NOTES

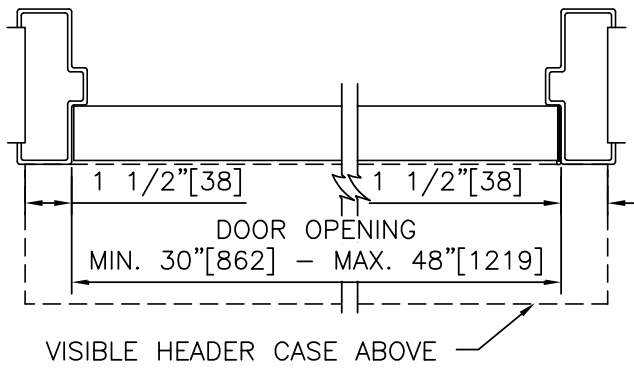
1. DETAILS NOT TO SCALE.
2. ELECTRICAL REQUIREMENTS: BY ELECTRICAL CONTRACTOR
 - 2.1. 120 VAC, 5 AMP MIN TO OPERATOR.
 - 2.2. CONTROL CIRCUIT FROM ACTIVATION TO OPERATOR.
3. DOORS, FRAMES, AND HARDWARE BY OTHERS.
4. DOORS MUST BE UN-LATCHED FOR PROPER OPERATION. PROVIDE TIME DELAY RELAY WHEN REQUIRED FOR PROPER OPERATION.
5. OPERATOR AND INSTALLATION TO COMPLY WITH ANSI/BHMA A156.19.
6. SEE SPECIFICATIONS FOR ADDITIONAL INFORMATION.



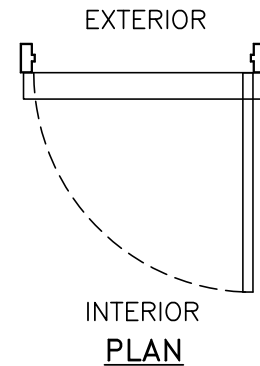
① VERTICAL SECTION



ELEVATION

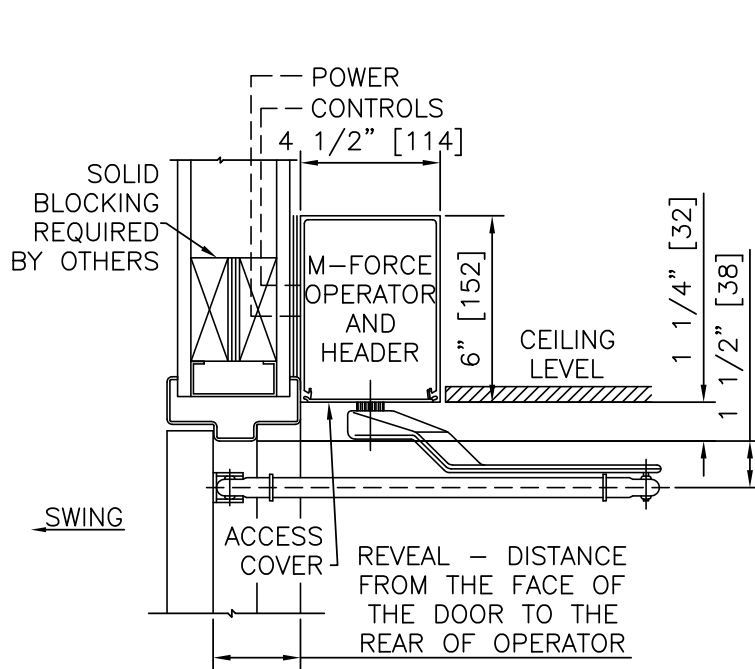


② HORIZONTAL SECTION

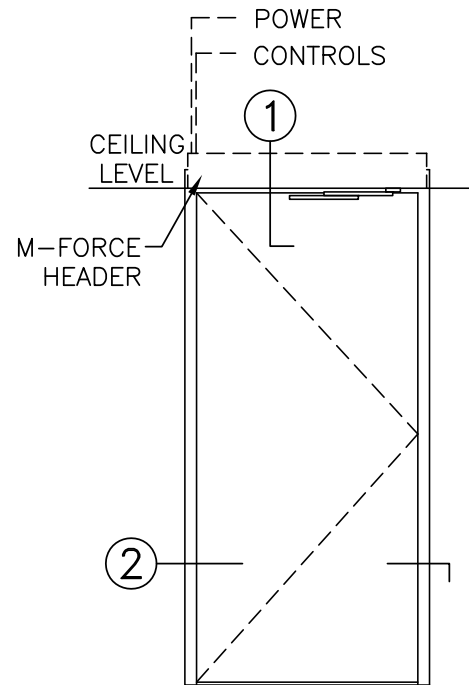


NOTES

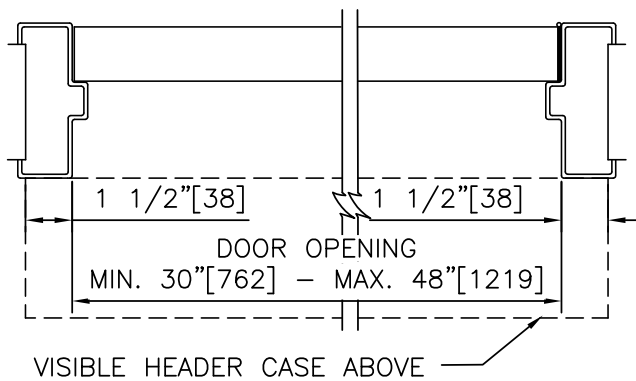
1. DETAILS NOT TO SCALE.
2. ELECTRICAL REQUIREMENTS: BY ELECTRICAL CONTRACTOR
 - 2.1. 120 VAC, 5 AMP MIN TO OPERATOR.
 - 2.2. CONTROL CIRCUIT FROM ACTIVATION TO OPERATOR.
3. DOORS, FRAMES, AND HARDWARE BY OTHERS.
4. DOORS MUST BE UN-LATCHED FOR PROPER OPERATION. PROVIDE TIME DELAY RELAY WHEN REQUIRED FOR PROPER OPERATION.
5. OPERATOR AND INSTALLATION TO COMPLY WITH ANSI/BHMA A156.19.
6. SEE SPECIFICATIONS FOR ADDITIONAL INFORMATION.



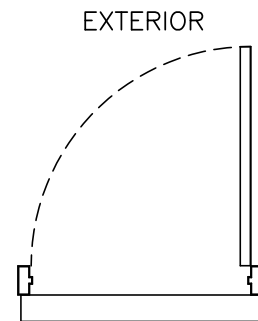
① VERTICAL SECTION



ELEVATION



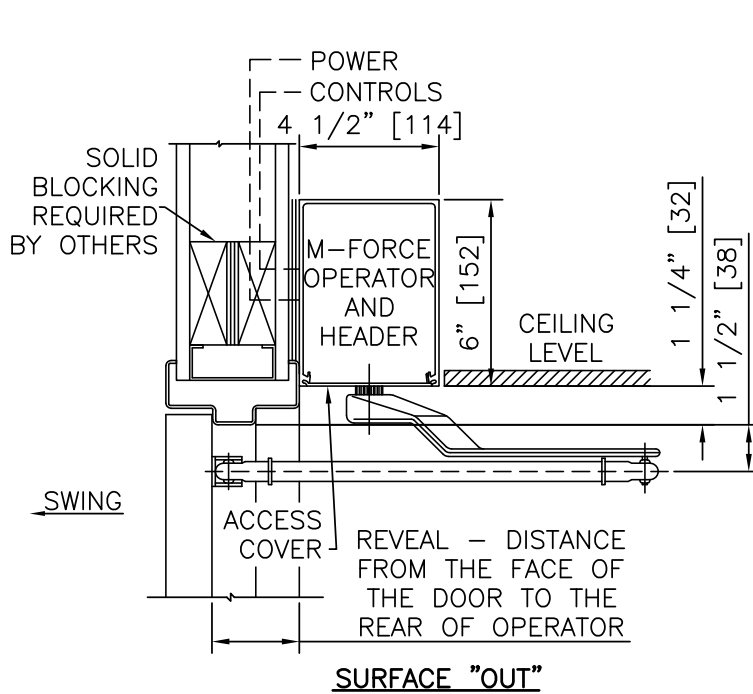
② HORIZONTAL SECTION



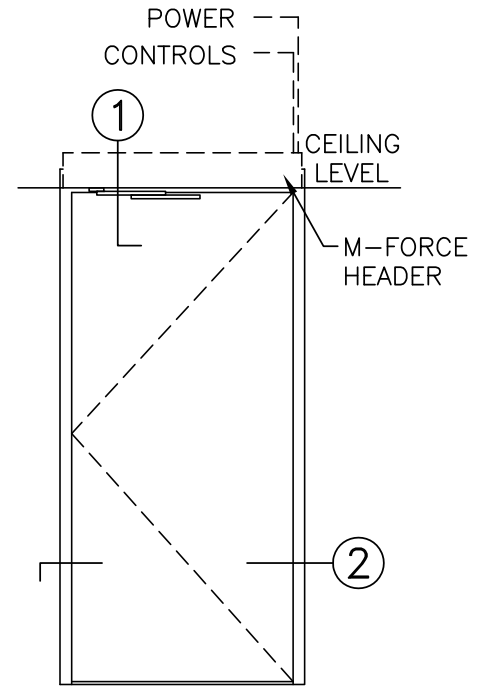
INTERIOR PLAN

NOTES

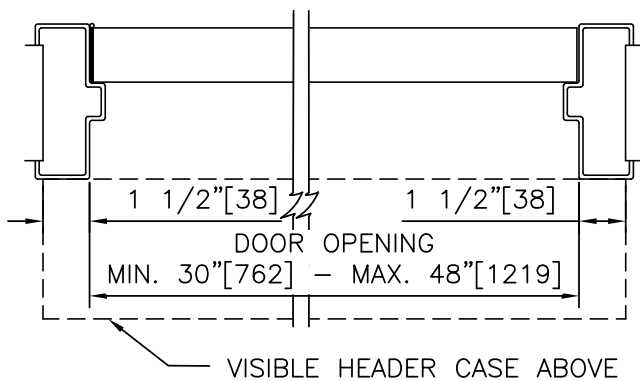
1. DETAILS NOT TO SCALE.
2. ELECTRICAL REQUIREMENTS: BY ELECTRICAL CONTRACTOR
 - 2.1. 120 VAC, 5 AMP MIN TO OPERATOR.
 - 2.2. CONTROL CIRCUIT FROM ACTIVATION TO OPERATOR.
3. DOORS, FRAMES, AND HARDWARE BY OTHERS.
4. DOORS MUST BE UN-LATCHED FOR PROPER OPERATION. PROVIDE TIME DELAY RELAY WHEN REQUIRED FOR PROPER OPERATION.
5. OPERATOR AND INSTALLATION TO COMPLY WITH ANSI/BHMA A156.19.
6. SEE SPECIFICATIONS FOR ADDITIONAL INFORMATION.



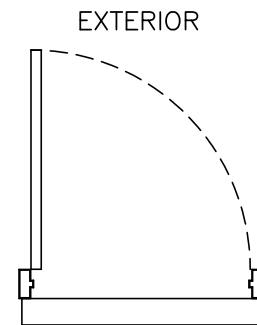
① VERTICAL SECTION



ELEVATION



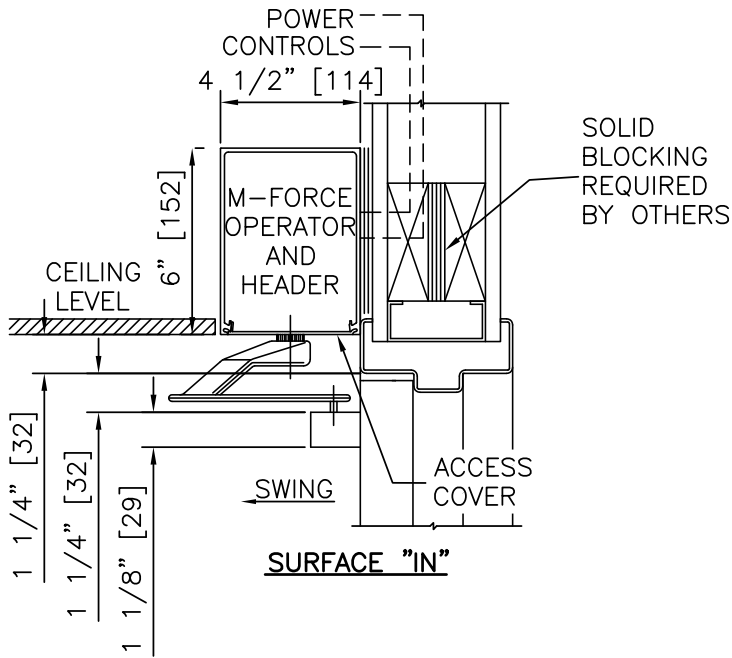
② HORIZONTAL SECTION



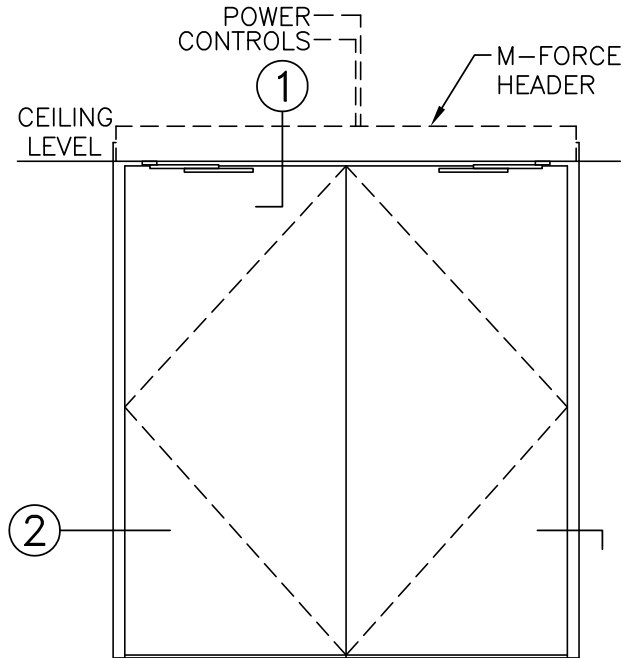
INTERIOR PLAN

NOTES

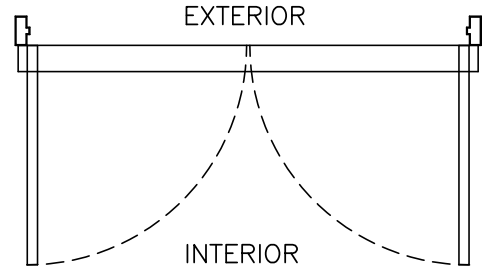
1. DETAILS NOT TO SCALE.
2. ELECTRICAL REQUIREMENTS: BY ELECTRICAL CONTRACTOR
 - 2.1. 120 VAC, 5 AMP MIN TO OPERATOR.
 - 2.2. CONTROL CIRCUIT FROM ACTIVATION TO OPERATOR.
3. DOORS, FRAMES, AND HARDWARE BY OTHERS.
4. DOORS MUST BE UN-LATCHED FOR PROPER OPERATION. PROVIDE TIME DELAY RELAY WHEN REQUIRED FOR PROPER OPERATION.
5. OPERATOR AND INSTALLATION TO COMPLY WITH ANSI/BHMA A156.19.
6. SEE SPECIFICATIONS FOR ADDITIONAL INFORMATION.



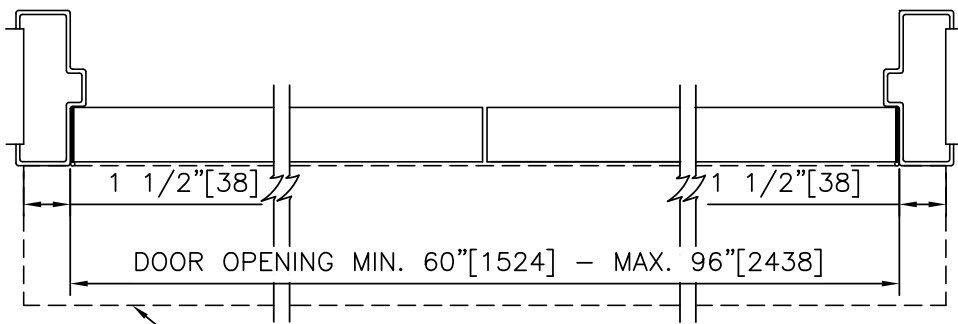
① VERTICAL SECTION



ELEVATION



INTERIOR PLAN

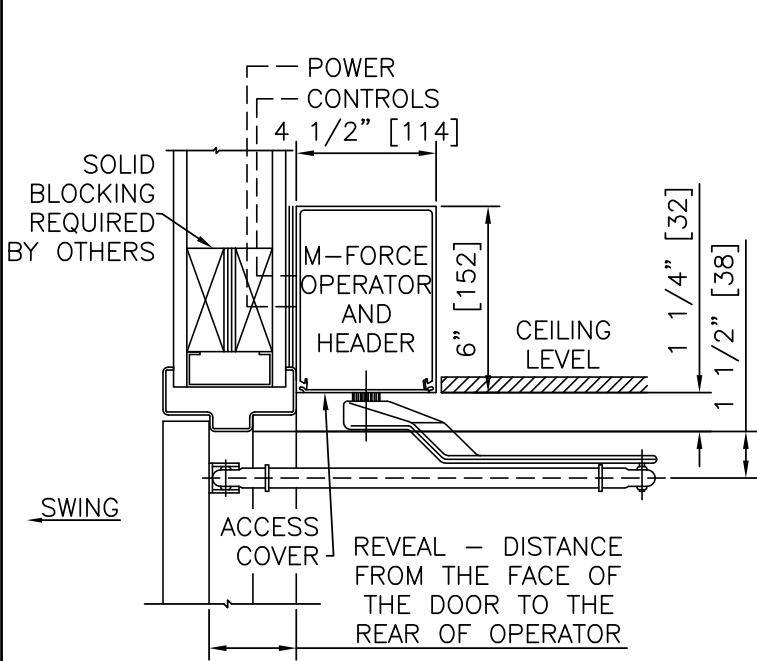


VISIBLE HEADER CASE ABOVE

② HORIZONTAL SECTION

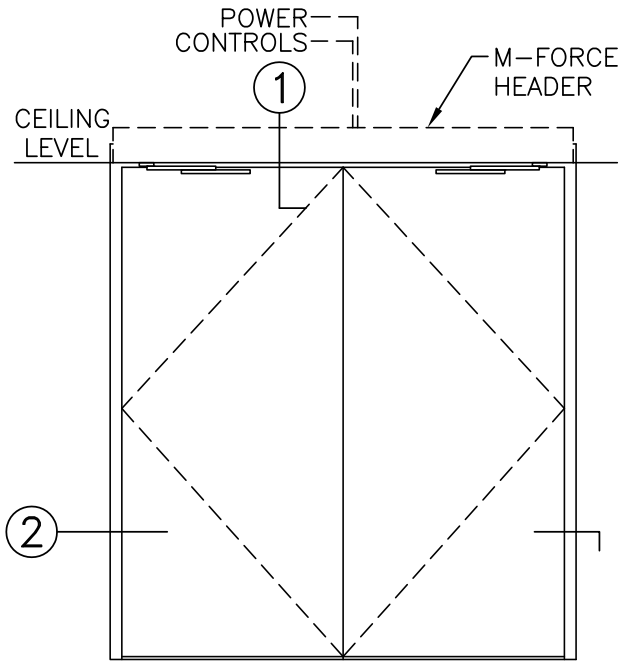
NOTES

1. DETAILS NOT TO SCALE.
2. ELECTRICAL REQUIREMENTS: BY ELECTRICAL CONTRACTOR
 - 2.1. 120 VAC, 5 AMP MIN TO OPERATOR.
 - 2.2. CONTROL CIRCUIT FROM ACTIVATION TO OPERATOR.
3. DOORS, FRAMES, AND HARDWARE BY OTHERS.
4. DOORS MUST BE UN-LATCHED FOR PROPER OPERATION. PROVIDE TIME DELAY RELAY WHEN REQUIRED FOR PROPER OPERATION.
5. OPERATOR AND INSTALLATION TO COMPLY WITH ANSI/BHMA A156.19.
6. SEE SPECIFICATIONS FOR ADDITIONAL INFORMATION.

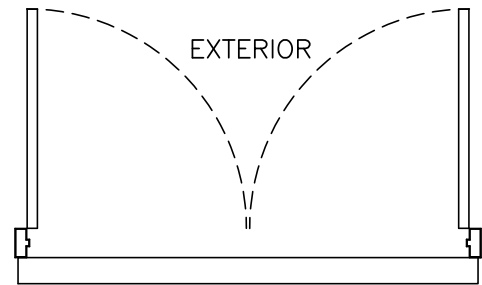


SURFACE "OUT"

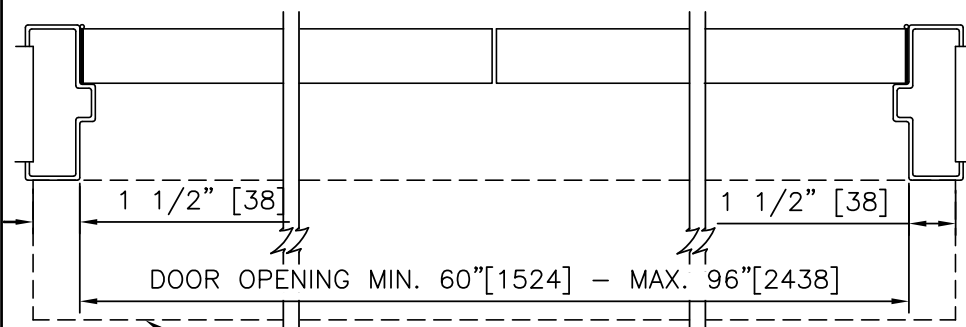
① VERTICAL SECTION



ELEVATION



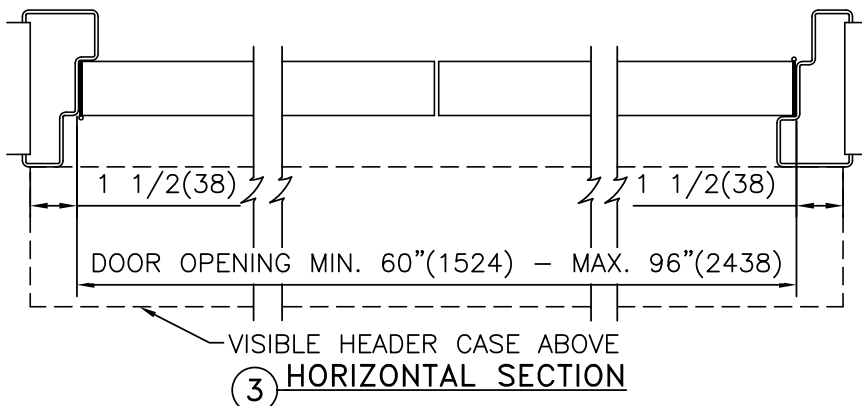
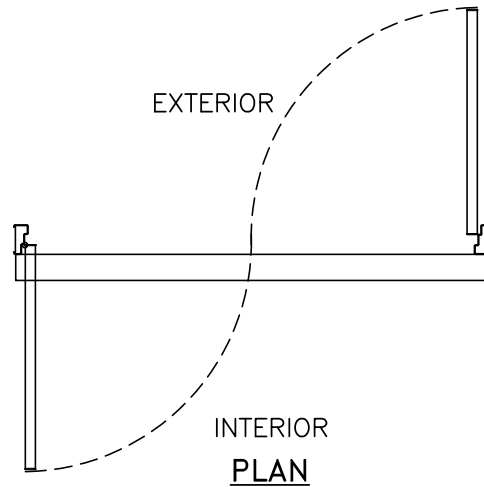
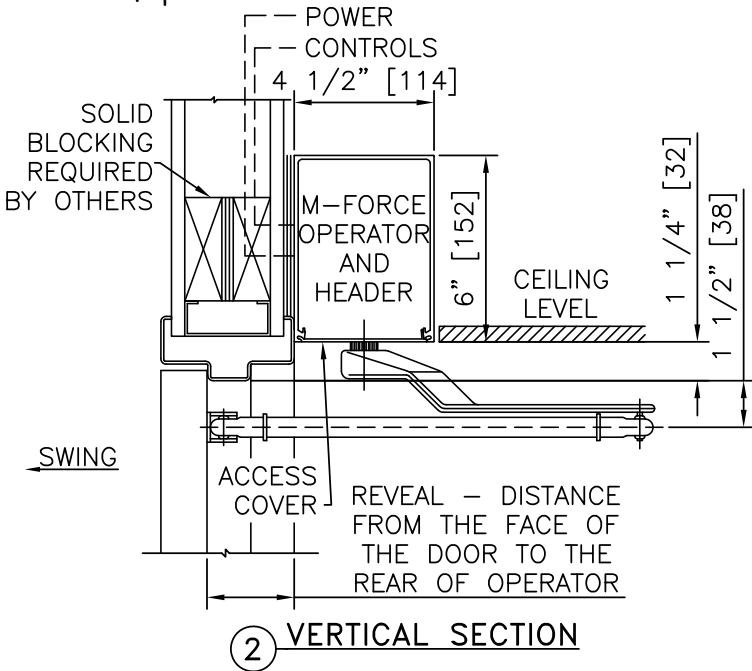
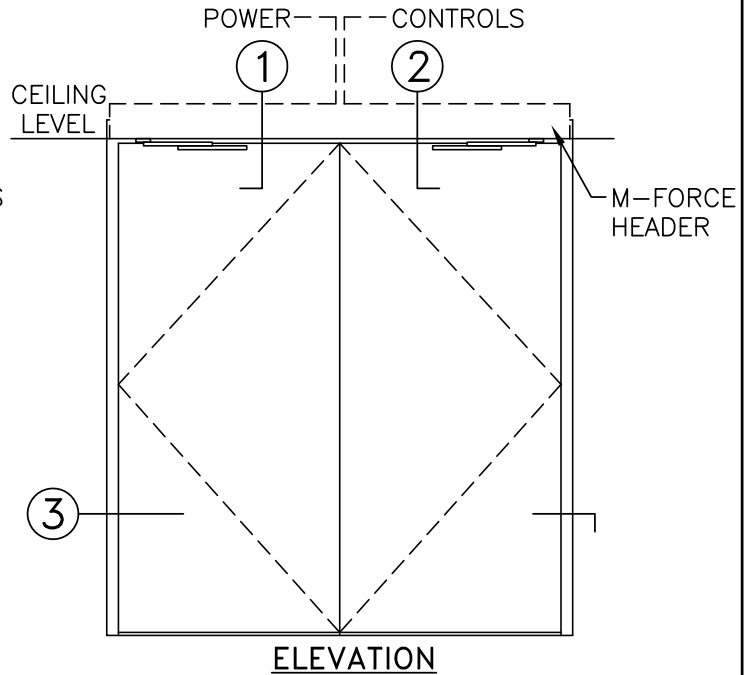
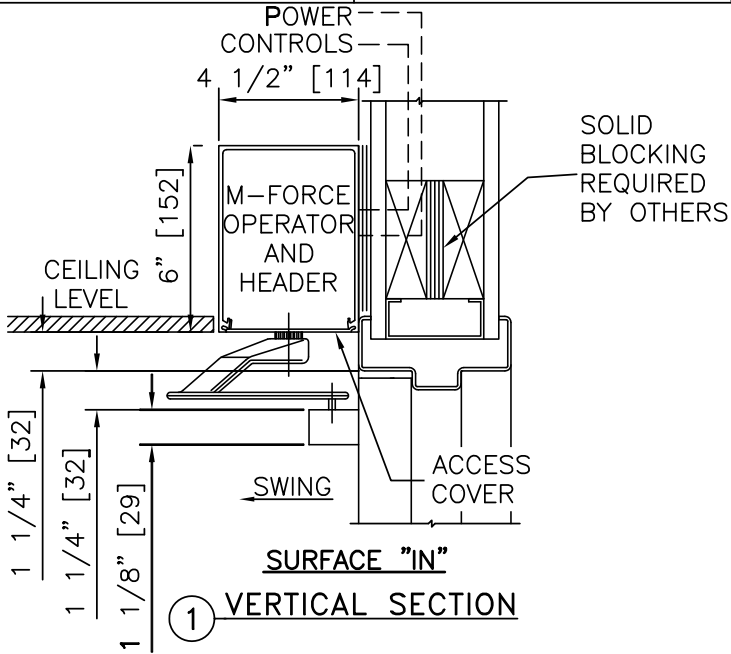
INTERIOR PLAN



② HORIZONTAL SECTION

NOTES

1. DETAILS NOT TO SCALE.
2. ELECTRICAL REQUIREMENTS: BY ELECTRICAL CONTRACTOR
 - 2.1. 120 VAC, 5 AMP MIN TO OPERATOR.
 - 2.2. CONTROL CIRCUIT FROM ACTIVATION TO OPERATOR.
3. DOORS, FRAMES, AND HARDWARE BY OTHERS.
4. DOORS MUST BE UN-LATCHED FOR PROPER OPERATION. PROVIDE TIME DELAY RELAY WHEN REQUIRED FOR PROPER OPERATION.
5. OPERATOR AND INSTALLATION TO COMPLY WITH ANSI/BHMA A156.19.
6. SEE SPECIFICATIONS FOR ADDITIONAL INFORMATION.



NOTES

1. DETAILS NOT TO SCALE.
2. ELECTRICAL REQUIREMENTS: BY ELECTRICAL CONTRACTOR
 - 2.1. 120 VAC, 5 AMP MIN TO OPERATOR.
 - 2.2. CONTROL CIRCUIT FROM ACTIVATION TO OPERATOR.
3. DOORS, FRAMES, AND HARDWARE BY OTHERS.
4. DOORS MUST BE UN-LATCHED FOR PROPER OPERATION. PROVIDE TIME DELAY RELAY WHEN REQUIRED FOR PROPER OPERATION.
5. OPERATOR AND INSTALLATION TO COMPLY WITH ANSI/BHMA A156.19.
6. SEE SPECIFICATIONS FOR ADDITIONAL INFORMATION.