



AUTOMATIC SWING DOOR OPENER M-FORCE™ (Next Generation Magic-Force)

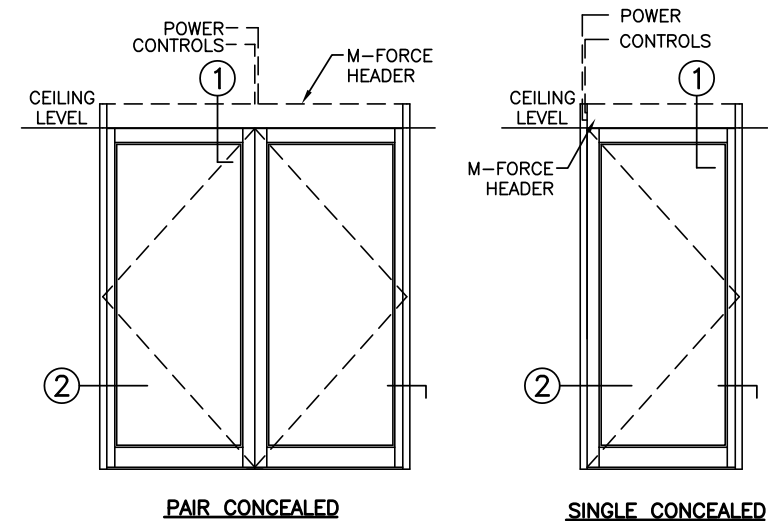
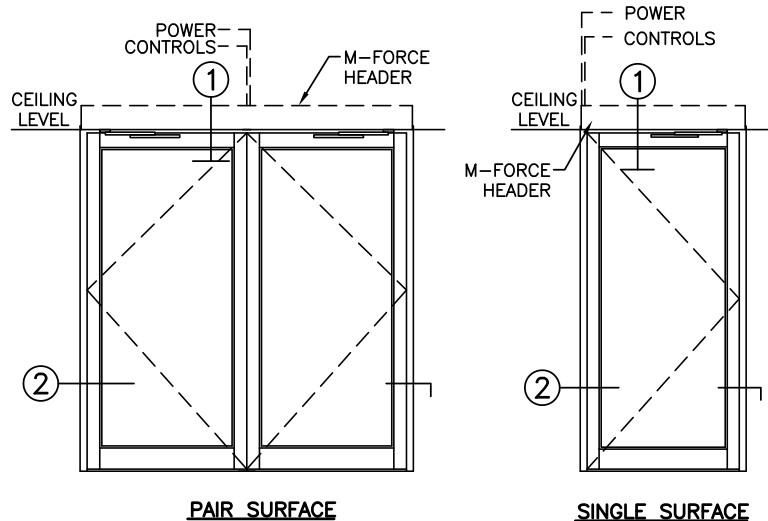
4.07- LOW ENERGY OPERATOR, BOTTOM LOAD ON HM/WOOD DOOR & FRAME

- 4.07.01 - LE OPERATOR, AL FRAME, BOTTOM LOAD, SURFACE, RH-IN
- 4.07.02 - LE OPERATOR, AL FRAME, BOTTOM LOAD, SURFACE, LH-IN
- 4.07.03 - LE OPERATOR, AL FRAME, BOTTOM LOAD, SURFACE, RH-OUT
- 4.07.04 - LE OPERATOR, AL FRAME, BOTTOM LOAD, SURFACE, LH-OUT
- 4.07.05 - LE OPERATOR, AL FRAME, BOTTOM LOAD, SURFACE, PAIR IN
- 4.07.06 - LE OPERATOR, AL FRAME, BOTTOM LOAD, SURFACE, PAIR OUT
- 4.07.07 - LE OPERATOR, AL FRAME, BOTTOM LOAD, CONCEALED, RH
- 4.07.08 - LE OPERATOR, AL FRAME, BOTTOM LOAD, CONCEALED, LH
- 4.07.09 - LE OPERATOR, AL FRAME, BOTTOM LOAD, CONCEALED, PR

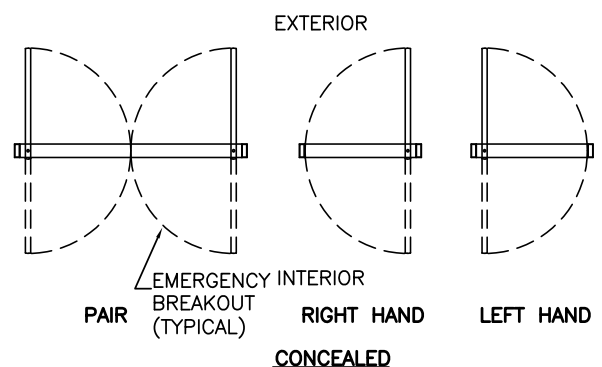
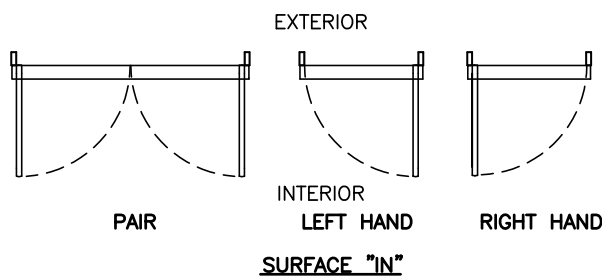
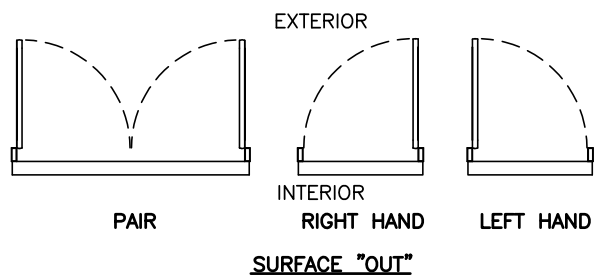
STANLEY
Access Technologies

M-FORCE™
(NEXT GENERATION MAGIC-FORCE™)

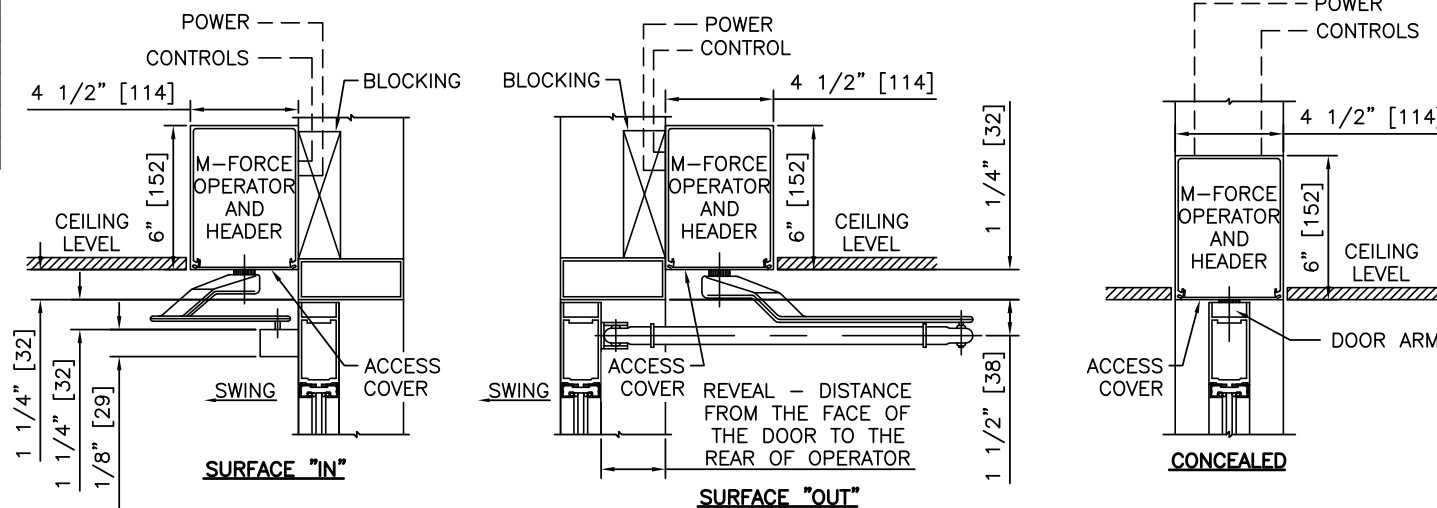
LOW-ENERGY OPERATOR, BOTTOM LOAD, ALUMINUM DOOR & FRAME	
PROJECT INFORMATION	
PROJECT NAME:	
LOCATION:	
DOOR NUMBER(S):	
DATE:	SHEET: OF



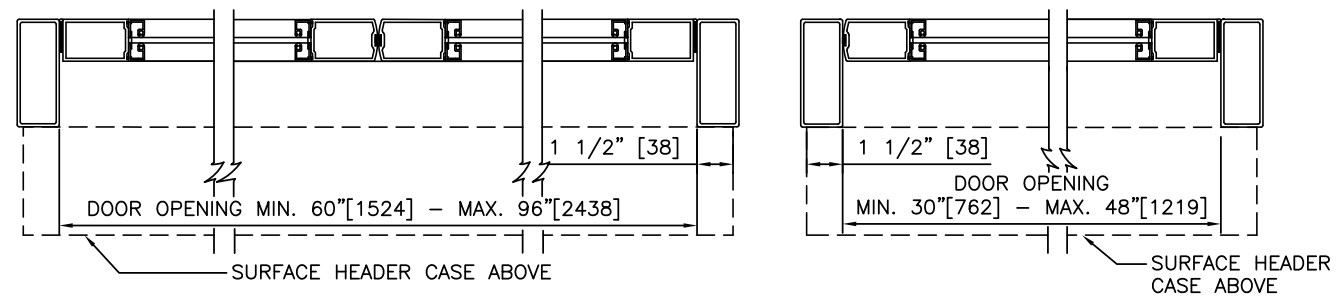
ELEVATIONS
SCALE: 1/4" = 1'-0"



PLAN VIEWS
SCALE: 3/16" = 1'-0"

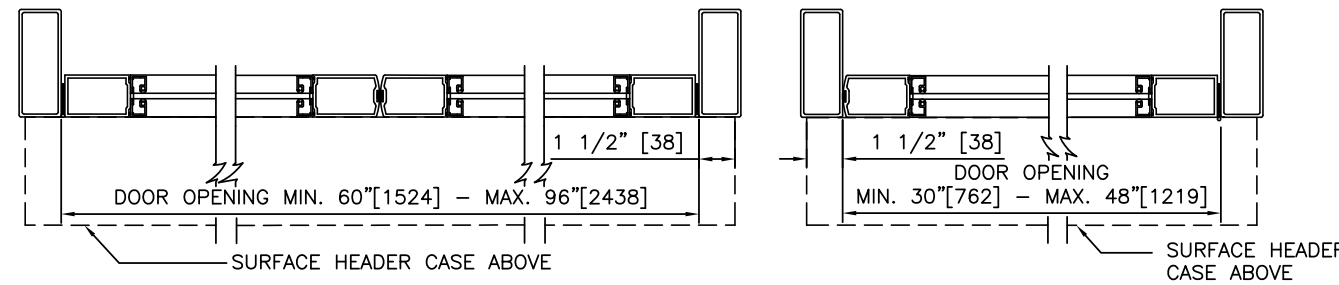


① VERTICAL SECTIONS
SCALE: 1 1/2" = 1'-0"



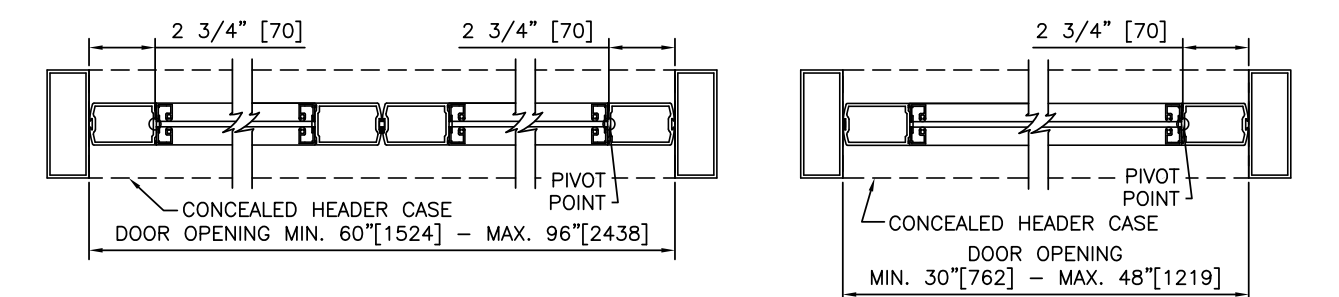
PAIR SURFACE "OUT"

SINGLE SURFACE "OUT"



PAIR SURFACE "IN"

SINGLE SURFACE "IN"



PAIR CONCEALED

SINGLE CONCEALED

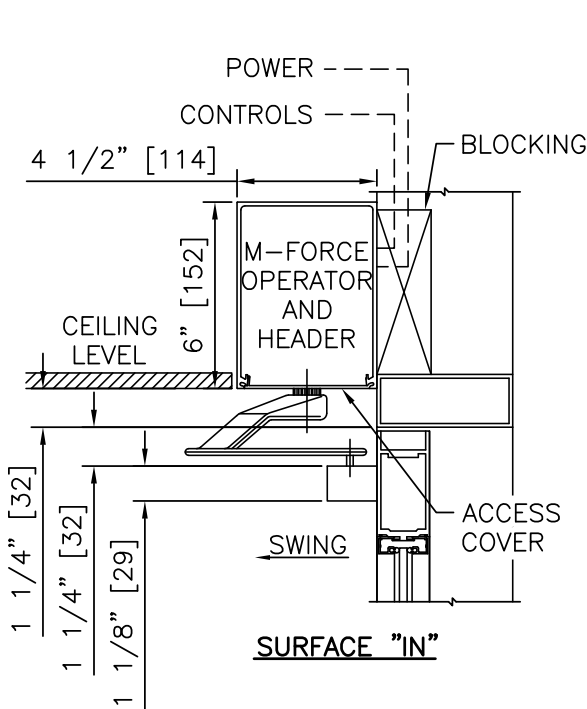
② HORIZONTAL SECTIONS
SCALE: 1 1/2" = 1'-0"

- NOTES**
- ELECTRICAL REQUIREMENTS: BY ELECTRICAL CONTRACTOR
 - 120 VAC, 5 AMP MIN TO OPERATOR.
 - CONTROL CIRCUIT FROM ACTIVATION TO OPERATOR.
 - DOORS, FRAMES, AND HARDWARE BY OTHERS.
 - DOORS MUST BE UN-LATCHED FOR PROPER OPERATION. PROVIDE TIME DELAY RELAY WHEN REQUIRED FOR PROPER OPERATION.
 - OPERATOR AND INSTALLATION TO COMPLY WITH ANSI/BHMA A156.19.
 - SEE SPECIFICATIONS FOR ADDITIONAL INFORMATION.

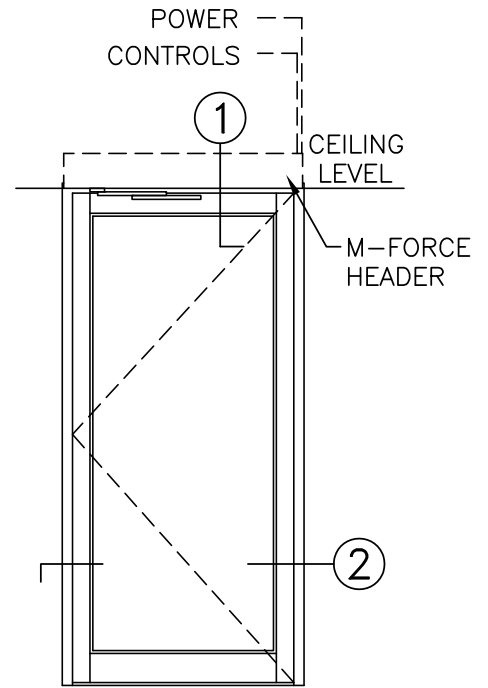
LOW-ENERGY OPERATOR, BOTTOM LOAD, ALUMINUM DOOR & FRAME

M-FORCE™
(NEXT GENERATION MAGIC-FORCE™)

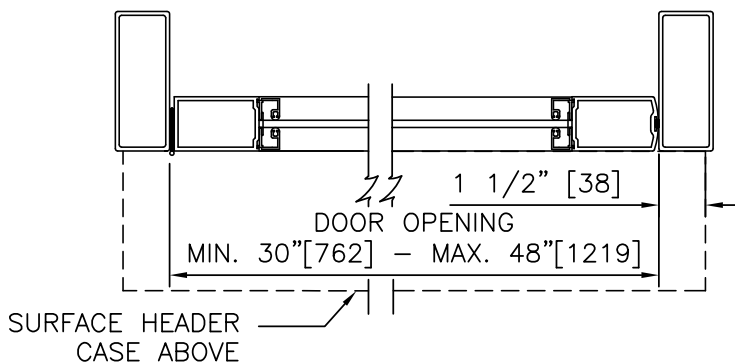
STANLEY
Access Technologies



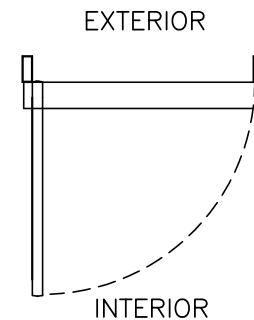
① VERTICAL SECTION



ELEVATION



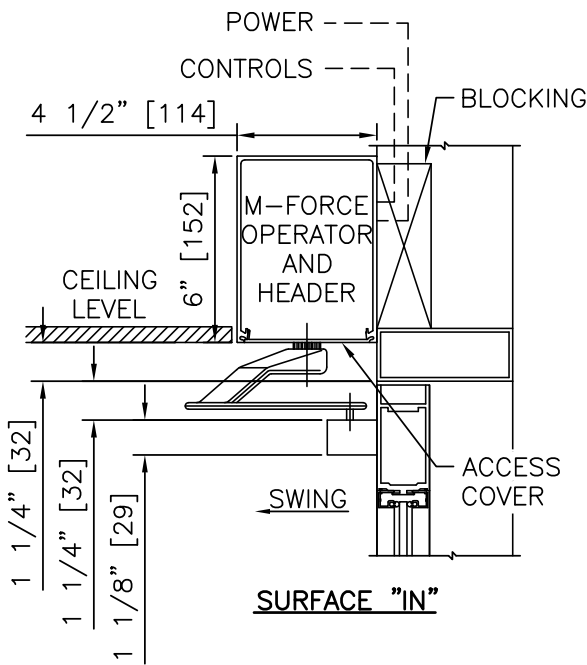
② HORIZONTAL SECTION



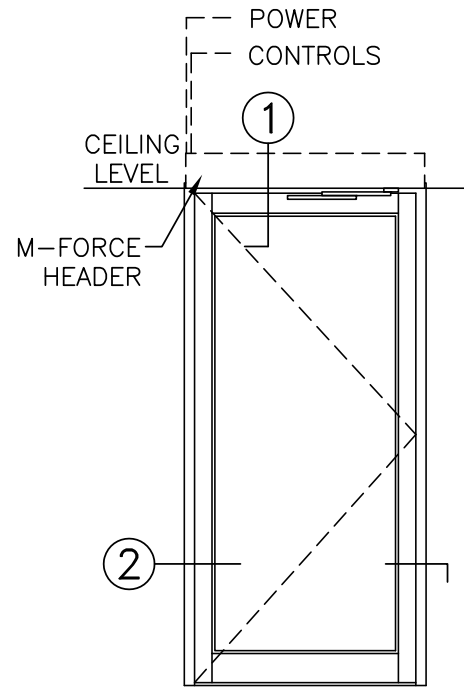
PLAN

NOTES

1. DETAILS NOT TO SCALE.
2. ELECTRICAL REQUIREMENTS: BY ELECTRICAL CONTRACTOR
 - 2.1. 120 VAC, 5 AMP MIN TO OPERATOR.
 - 2.2. CONTROL CIRCUIT FROM ACTIVATION TO OPERATOR.
3. DOORS, FRAMES, AND HARDWARE BY OTHERS.
4. DOORS MUST BE UN-LATCHED FOR PROPER OPERATION. PROVIDE TIME DELAY RELAY WHEN REQUIRED FOR PROPER OPERATION.
5. OPERATOR AND INSTALLATION TO COMPLY WITH ANSI/BHMA A156.19.
6. SEE SPECIFICATIONS FOR ADDITIONAL INFORMATION.

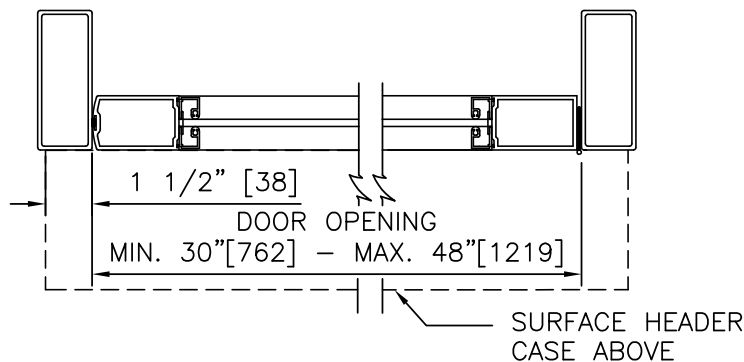


① VERTICAL SECTION

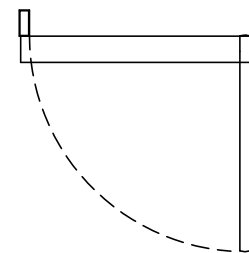


ELEVATION

EXTERIOR



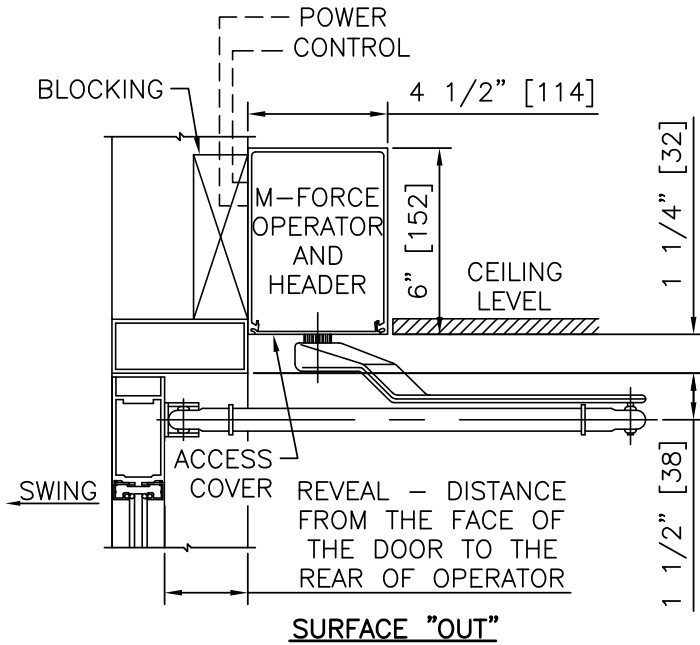
② HORIZONTAL SECTION



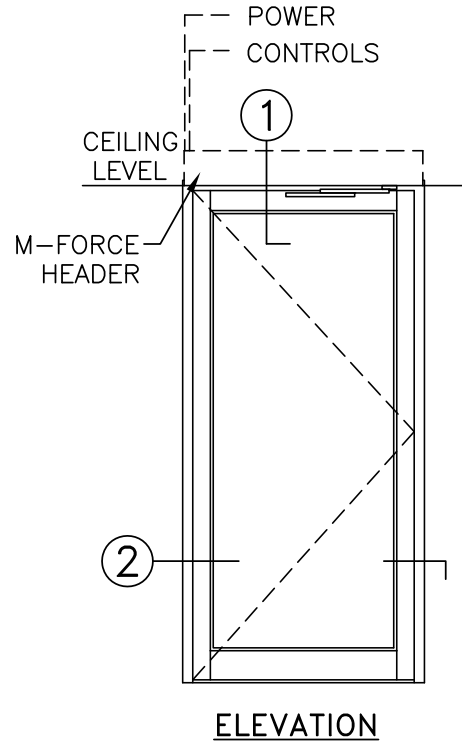
INTERIOR
PLAN

NOTES

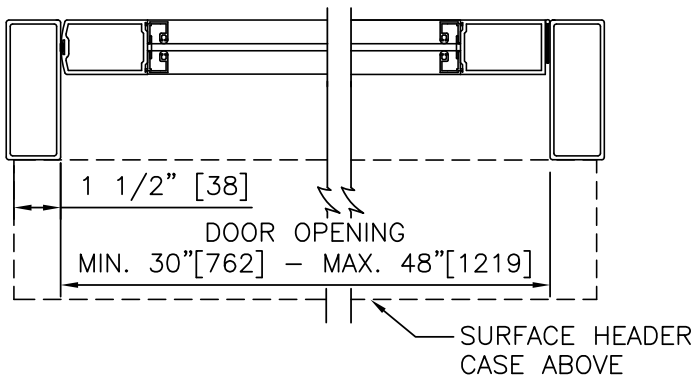
1. DETAILS NOT TO SCALE.
2. ELECTRICAL REQUIREMENTS: BY ELECTRICAL CONTRACTOR
 - 2.1. 120 VAC, 5 AMP MIN TO OPERATOR.
 - 2.2. CONTROL CIRCUIT FROM ACTIVATION TO OPERATOR.
3. DOORS, FRAMES, AND HARDWARE BY OTHERS.
4. DOORS MUST BE UN-LATCHED FOR PROPER OPERATION. PROVIDE TIME DELAY RELAY WHEN REQUIRED FOR PROPER OPERATION.
5. OPERATOR AND INSTALLATION TO COMPLY WITH ANSI/BHMA A156.19.
6. SEE SPECIFICATIONS FOR ADDITIONAL INFORMATION.



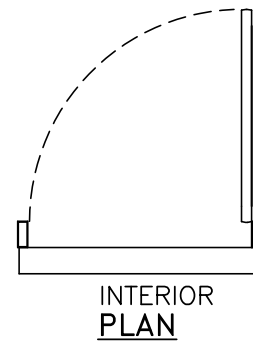
① VERTICAL SECTION



EXTERIOR

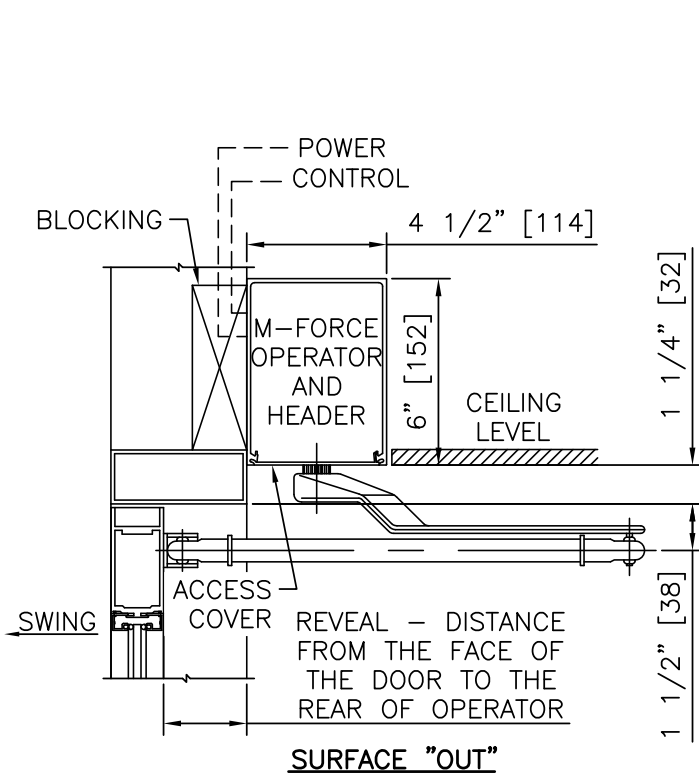


② HORIZONTAL SECTION

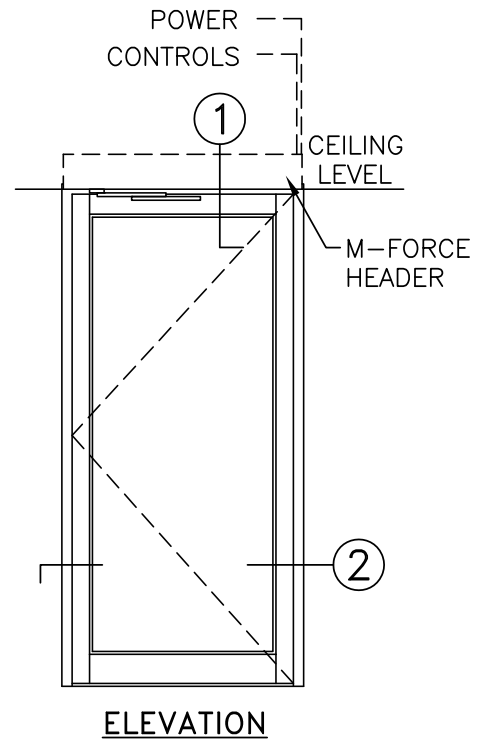


NOTES

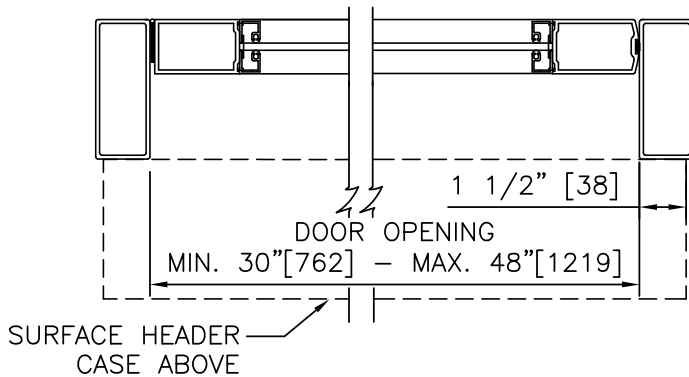
1. DETAILS NOT TO SCALE.
2. ELECTRICAL REQUIREMENTS: BY ELECTRICAL CONTRACTOR
 - 2.1. 120 VAC, 5 AMP MIN TO OPERATOR.
 - 2.2. CONTROL CIRCUIT FROM ACTIVATION TO OPERATOR.
3. DOORS, FRAMES, AND HARDWARE BY OTHERS.
4. DOORS MUST BE UN-LATCHED FOR PROPER OPERATION. PROVIDE TIME DELAY RELAY WHEN REQUIRED FOR PROPER OPERATION.
5. OPERATOR AND INSTALLATION TO COMPLY WITH ANSI/BHMA A156.19.
6. SEE SPECIFICATIONS FOR ADDITIONAL INFORMATION.



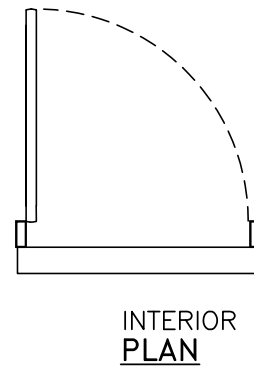
① **VERTICAL SECTION**



EXTERIOR

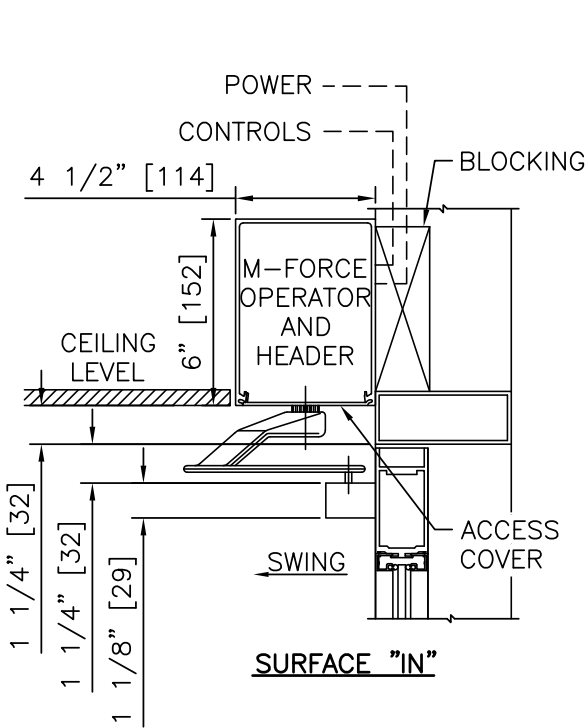


② **HORIZONTAL SECTION**

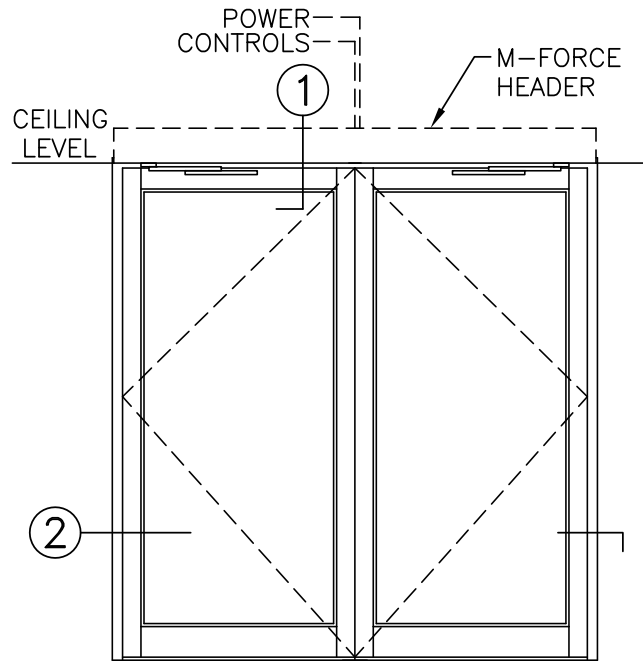


NOTES

1. DETAILS NOT TO SCALE.
2. ELECTRICAL REQUIREMENTS: BY ELECTRICAL CONTRACTOR
 - 2.1. 120 VAC, 5 AMP MIN TO OPERATOR.
 - 2.2. CONTROL CIRCUIT FROM ACTIVATION TO OPERATOR.
3. DOORS, FRAMES, AND HARDWARE BY OTHERS.
4. DOORS MUST BE UN-LATCHED FOR PROPER OPERATION. PROVIDE TIME DELAY RELAY WHEN REQUIRED FOR PROPER OPERATION.
5. OPERATOR AND INSTALLATION TO COMPLY WITH ANSI/BHMA A156.19.
6. SEE SPECIFICATIONS FOR ADDITIONAL INFORMATION.

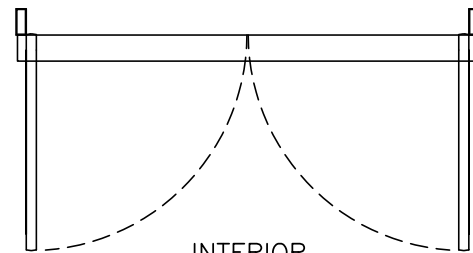


① VERTICAL SECTION

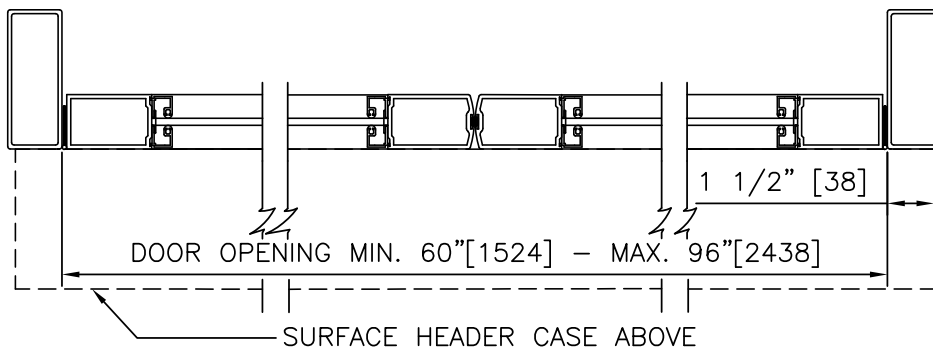


ELEVATION

EXTERIOR



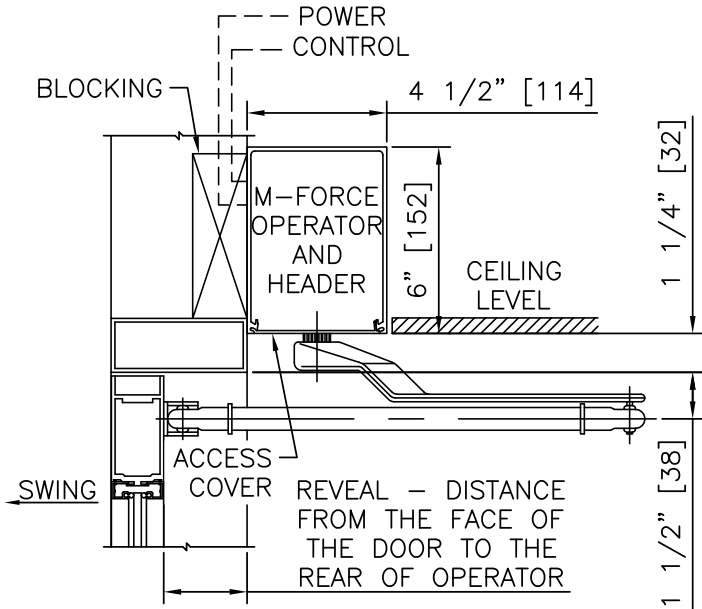
INTERIOR PLAN



② HORIZONTAL SECTION

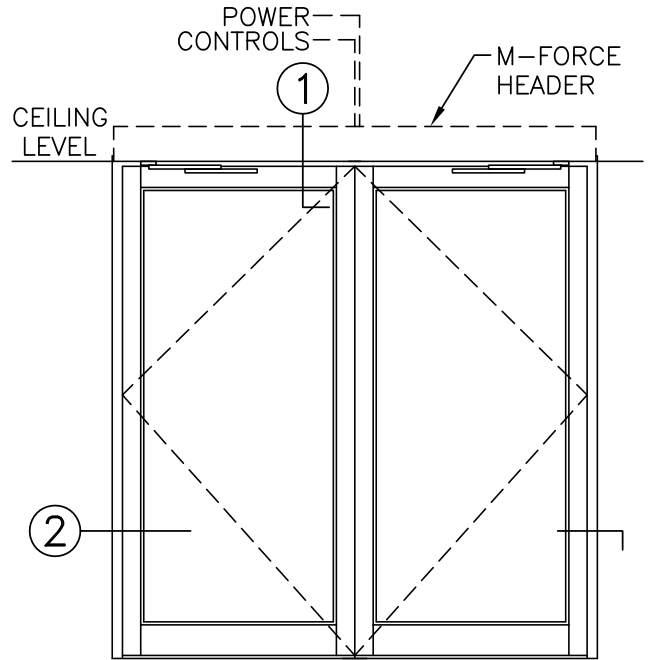
NOTES

1. DETAILS NOT TO SCALE.
2. ELECTRICAL REQUIREMENTS: BY ELECTRICAL CONTRACTOR
 - 2.1. 120 VAC, 5 AMP MIN TO OPERATOR.
 - 2.2. CONTROL CIRCUIT FROM ACTIVATION TO OPERATOR.
3. DOORS, FRAMES, AND HARDWARE BY OTHERS.
4. DOORS MUST BE UN-LATCHED FOR PROPER OPERATION. PROVIDE TIME DELAY RELAY WHEN REQUIRED FOR PROPER OPERATION.
5. OPERATOR AND INSTALLATION TO COMPLY WITH ANSI/BHMA A156.19.
6. SEE SPECIFICATIONS FOR ADDITIONAL INFORMATION.

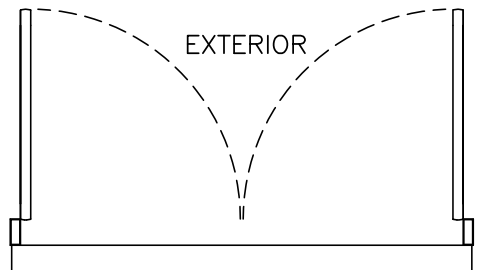


SURFACE "OUT"

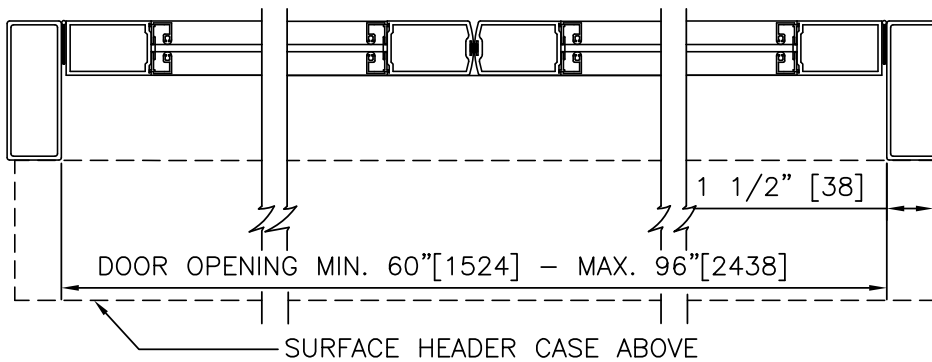
① VERTICAL SECTION



ELEVATION



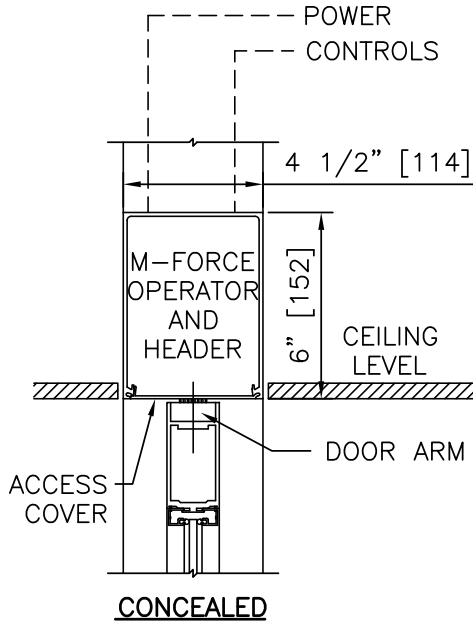
INTERIOR PLAN



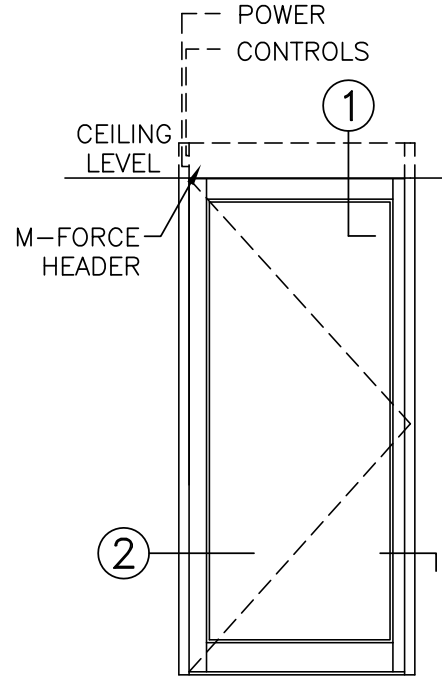
② HORIZONTAL SECTION

NOTES

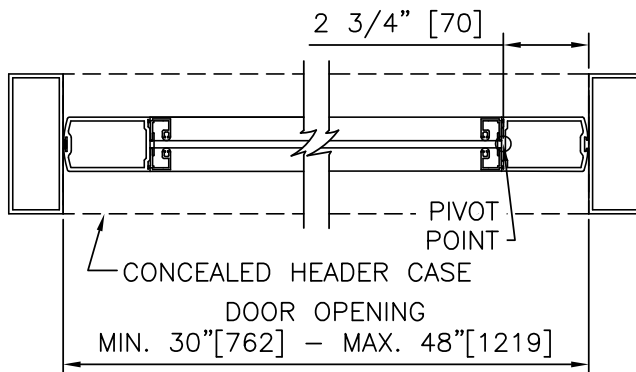
1. DETAILS NOT TO SCALE.
2. ELECTRICAL REQUIREMENTS: BY ELECTRICAL CONTRACTOR
 - 2.1. 120 VAC, 5 AMP MIN TO OPERATOR.
 - 2.2. CONTROL CIRCUIT FROM ACTIVATION TO OPERATOR.
3. DOORS, FRAMES, AND HARDWARE BY OTHERS.
4. DOORS MUST BE UN-LATCHED FOR PROPER OPERATION. PROVIDE TIME DELAY RELAY WHEN REQUIRED FOR PROPER OPERATION.
5. OPERATOR AND INSTALLATION TO COMPLY WITH ANSI/BHMA A156.19.
6. SEE SPECIFICATIONS FOR ADDITIONAL INFORMATION.



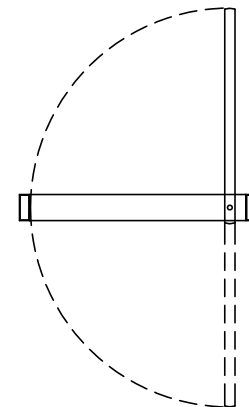
① VERTICAL SECTION



ELEVATION



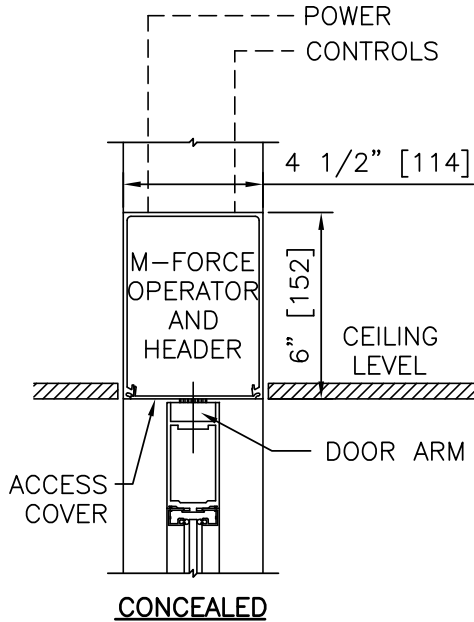
② HORIZONTAL SECTION



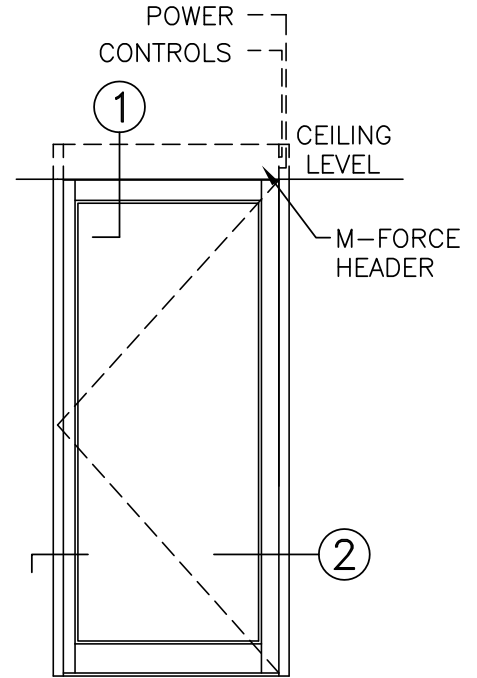
PLAN

NOTES

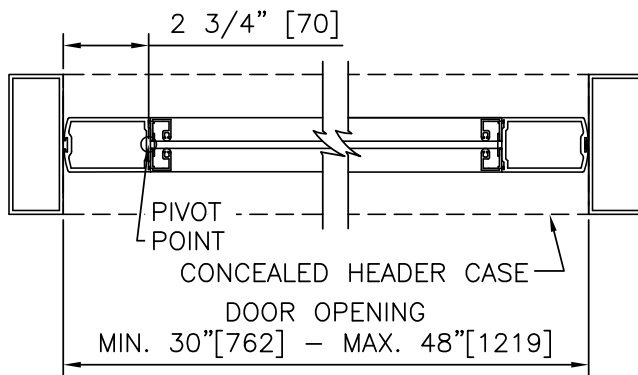
1. DETAILS NOT TO SCALE.
2. ELECTRICAL REQUIREMENTS: BY ELECTRICAL CONTRACTOR
 - 2.1. 120 VAC, 5 AMP MIN TO OPERATOR.
 - 2.2. CONTROL CIRCUIT FROM ACTIVATION TO OPERATOR.
3. DOORS, FRAMES, AND HARDWARE BY OTHERS.
4. DOORS MUST BE UN-LATCHED FOR PROPER OPERATION. PROVIDE TIME DELAY RELAY WHEN REQUIRED FOR PROPER OPERATION.
5. OPERATOR AND INSTALLATION TO COMPLY WITH ANSI/BHMA A156.19.
6. SEE SPECIFICATIONS FOR ADDITIONAL INFORMATION.



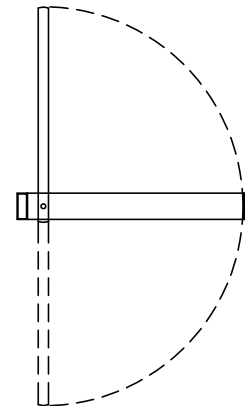
① VERTICAL SECTION



ELEVATION



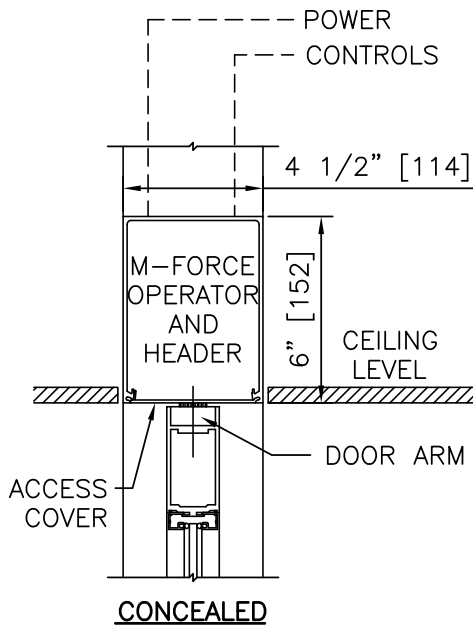
② HORIZONTAL SECTION



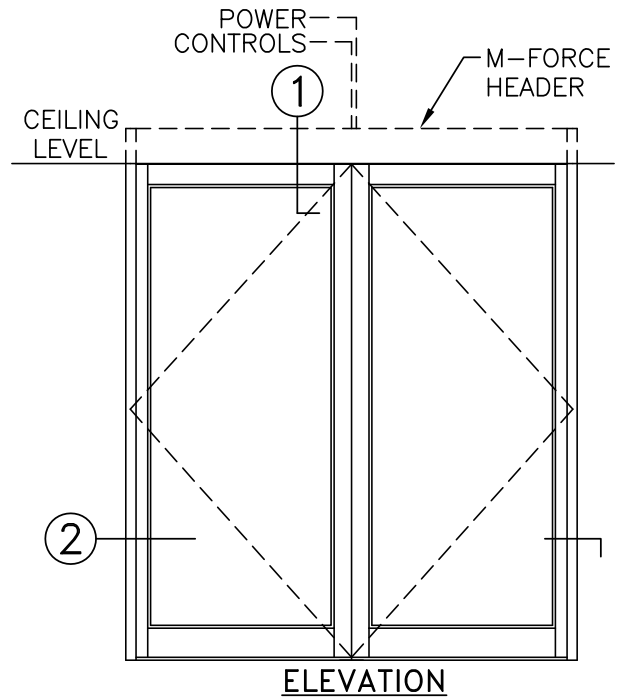
PLAN

NOTES

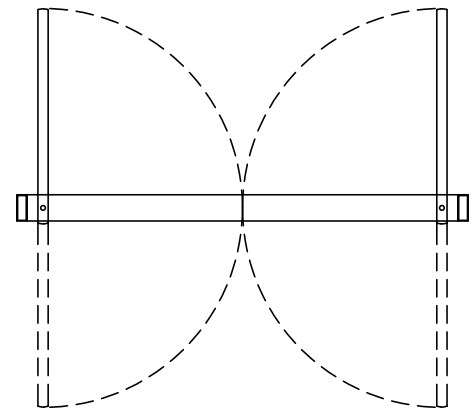
1. DETAILS NOT TO SCALE.
2. ELECTRICAL REQUIREMENTS: BY ELECTRICAL CONTRACTOR
 - 2.1. 120 VAC, 5 AMP MIN TO OPERATOR.
 - 2.2. CONTROL CIRCUIT FROM ACTIVATION TO OPERATOR.
3. DOORS, FRAMES, AND HARDWARE BY OTHERS.
4. DOORS MUST BE UN-LATCHED FOR PROPER OPERATION. PROVIDE TIME DELAY RELAY WHEN REQUIRED FOR PROPER OPERATION.
5. OPERATOR AND INSTALLATION TO COMPLY WITH ANSI/BHMA A156.19.
6. SEE SPECIFICATIONS FOR ADDITIONAL INFORMATION.



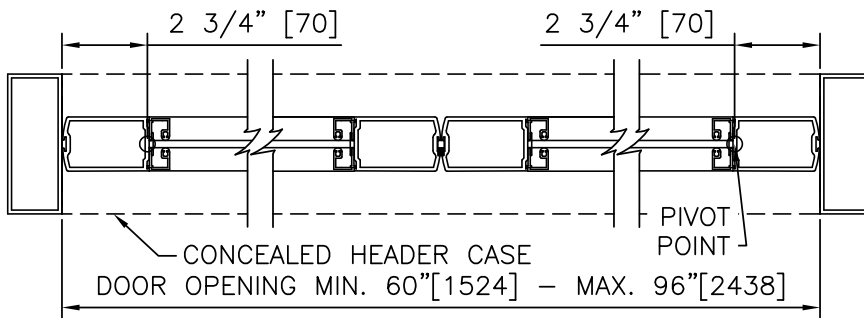
① VERTICAL SECTION



ELEVATION



PLAN



② HORIZONTAL SECTION

NOTES

1. DETAILS NOT TO SCALE.
2. ELECTRICAL REQUIREMENTS: BY ELECTRICAL CONTRACTOR
 - 2.1. 120 VAC, 5 AMP MIN TO OPERATOR.
 - 2.2. CONTROL CIRCUIT FROM ACTIVATION TO OPERATOR.
3. DOORS, FRAMES, AND HARDWARE BY OTHERS.
4. DOORS MUST BE UN-LATCHED FOR PROPER OPERATION. PROVIDE TIME DELAY RELAY WHEN REQUIRED FOR PROPER OPERATION.
5. OPERATOR AND INSTALLATION TO COMPLY WITH ANSI/BHMA A156.19.
6. SEE SPECIFICATIONS FOR ADDITIONAL INFORMATION.