

STANLEY
Access Technologies

BI-FOLD SB 600 SERIES

SB 620 BI-FOLD WITH OPTIONAL TRANSOM

PROJECT INFORMATION

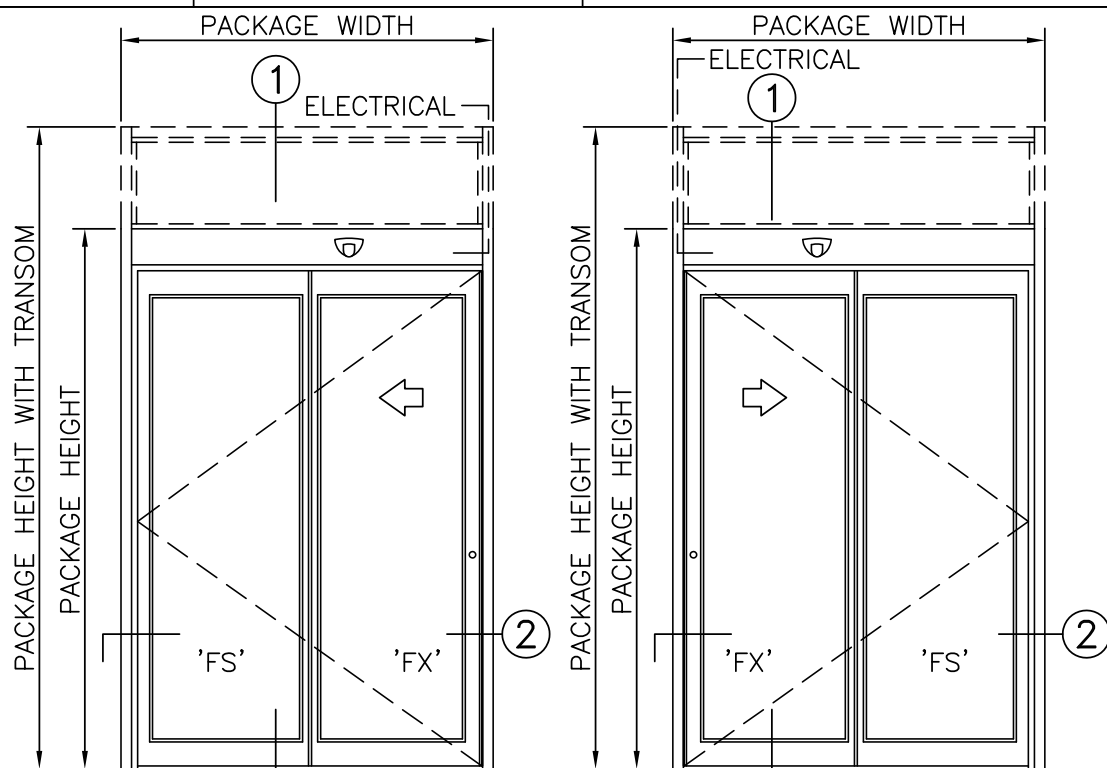
PROJECT NAME:

LOCATION:

DOOR NUMBER(S):

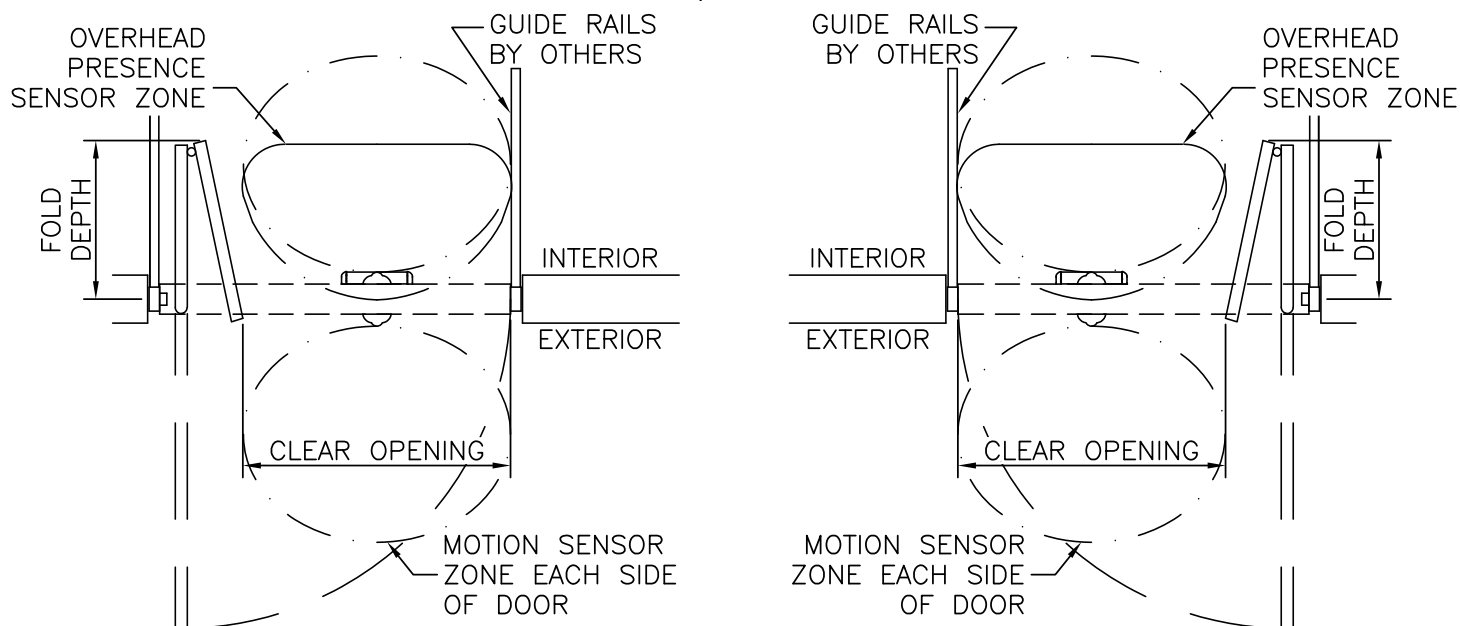
DATE:

SHEET: OF



ELEVATION VIEW

SCALE: 3/8" = 1'-0"

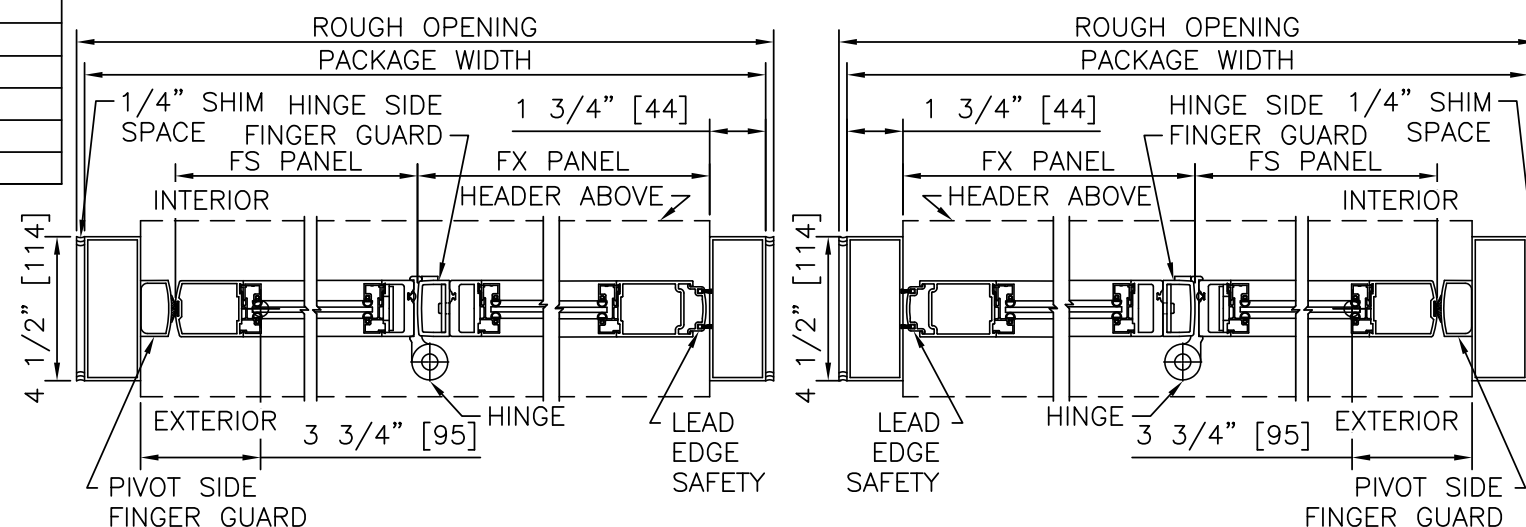


PLAN VIEW

SCALE: 3/8" = 1'-0" FOLD-IN

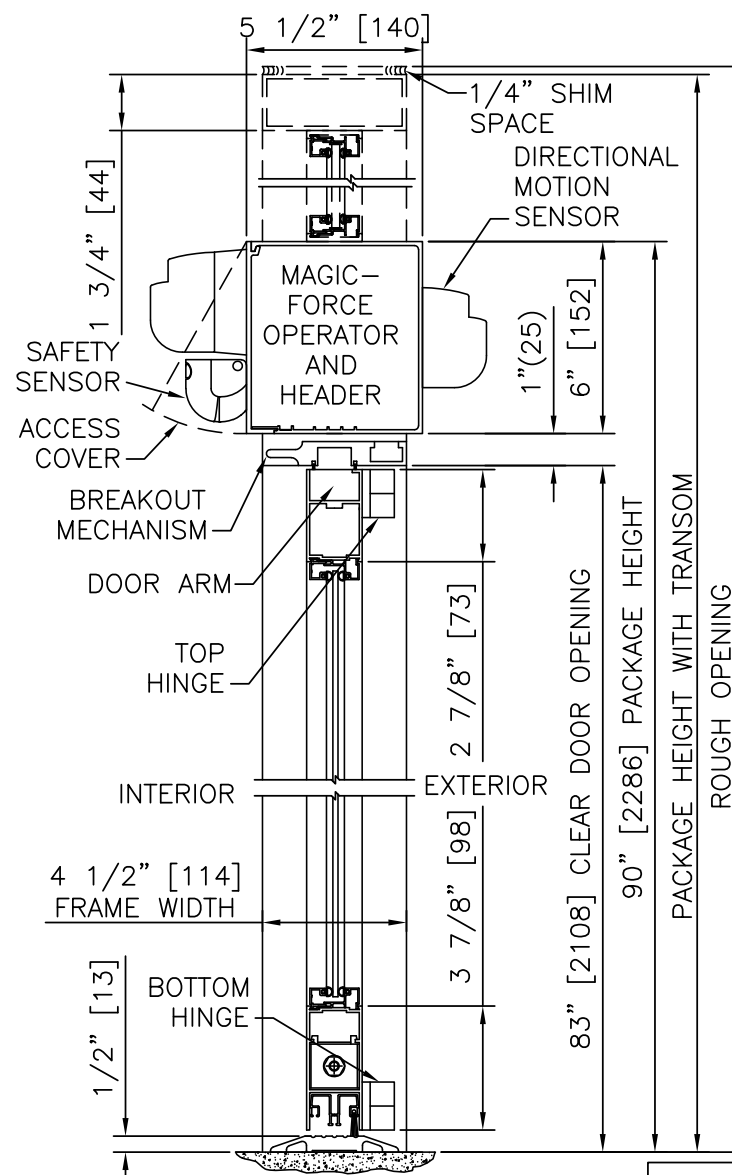
NOTES

- ELECTRICAL REQUIREMENTS: 120 VAC, 5 AMP MIN TO POWER OPERATOR BY ELECTRICAL CONTRACTOR.
- ROUGH OPENING SHALL PROVIDE 1/4"[6] SHIM SPACE ON SIDES AND TOP OF PACKAGE.
- LIMITS OF ACTIVATION AND SAFETY ZONES ARE FOR REFERENCE ONLY; SEE ANSI/BHMA A156.10 FOR DETAILED REQUIREMENTS.
- STANDARD LOCKING IS 2-POINT, 3-POINT LOCKING AVAILABLE.
- GLAZING STOPS FOR SLIDING AND FIXED PANELS ARE 1/4"[6].
- STANDARD STILES AND BOTTOM RAILS SHOWN, BOTTOM RAILS TO 12"[305], AND MUNTINS TO 4 1/4"[108] AVAILABLE.
- FOLD IN SYSTEM SHOWN, FOLD OUT SYSTEM AVAILABLE.
- SEE SPECIFICATIONS FOR ADDITIONAL INFORMATION.



② HORIZONTAL SECTION

SCALE: 2" = 1'-0" FOLD-IN



① VERTICAL SECTION

SCALE: 2" = 1'-0" FOLD-IN

PRODUCT OPTIONS

- TRANSOM
- YES
 - VERTICALS 1 2 3
- FINISH
- ANODIZED CLEAR CL2
 - ANODIZED DK BRONZE
 - CUSTOM
- LOCKING
- 2-POINT
 - 3-POINT
- STILES
- NARROW
- BOTTOM RAILS
- STANDARD 4"
 - OPTIONAL 6" 8" 10" 12"
- THRESHOLDS
- DBL BVL
 - NONE
- ACTIVATION/SAFETY
- 2 SU-100/OVERHEAD SAFETY
- OTHER OPTIONS
- ROTARY CTRL SWITCH
 - KEYED

2-PANEL BI-FOLD FORMULAS

CLEAR DOOR OPENING = 0.866 * PACKAGE WIDTH - 9.40"

FOLD DEPTH = 0.49 * PACKAGE WIDTH - 4.03"

EMERGENCY BREAKOUT WIDTH = PACKAGE WIDTH - 8.125"

FX PANEL WIDTH = 0.509 * (PACKAGE WIDTH - 9.713) + 1.886"

FS PANEL WIDTH = 0.491 * (PACKAGE WIDTH - 9.713) + 2.156"

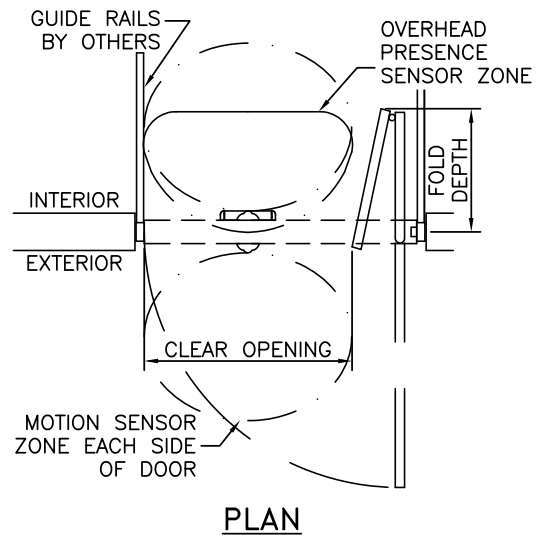
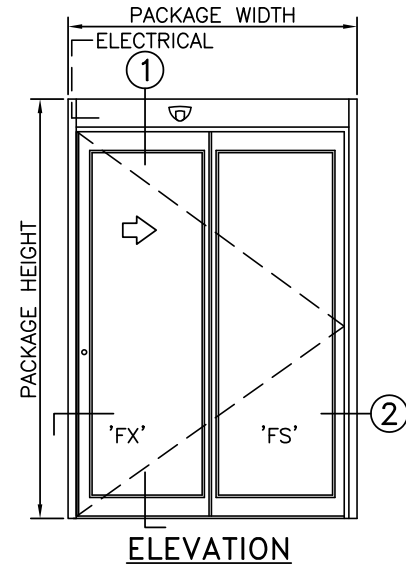
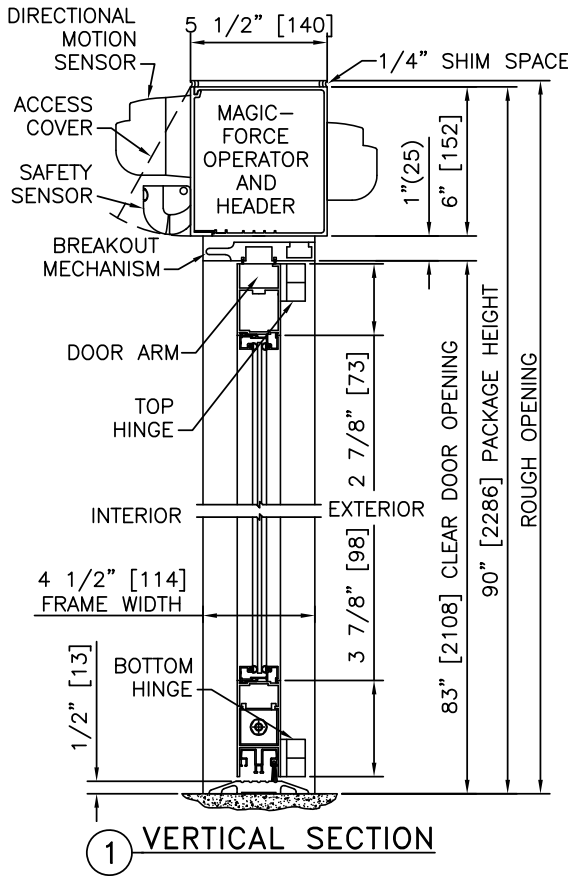
TYPICAL PACKAGE DIMENSIONS

PACKAGE WIDTH	NOMINAL CLEAR DOOR OPENING	FX PANEL NOMINAL WIDTH	FS PANEL NOMINAL WIDTH	EMERGENCY BREAKOUT NOM. WIDTH
48"	32.2"	21.4"	21.0"	39.9"
56"	39.1"	25.4"	24.9"	47.9"
62"	44.3"	28.5"	27.8"	53.9"

SB 620 BI-FOLD WITH OPTIONAL TRANSOM

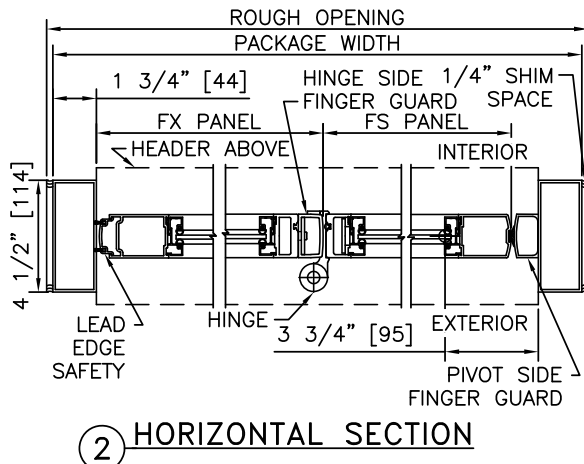
BI-FOLD SB 600 SERIES

STANLEY
Access Technologies

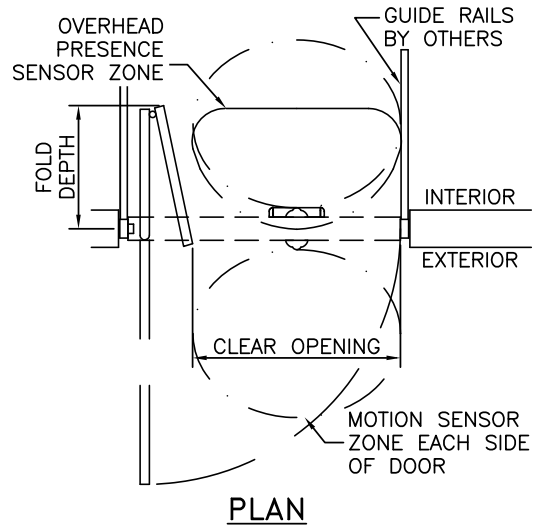
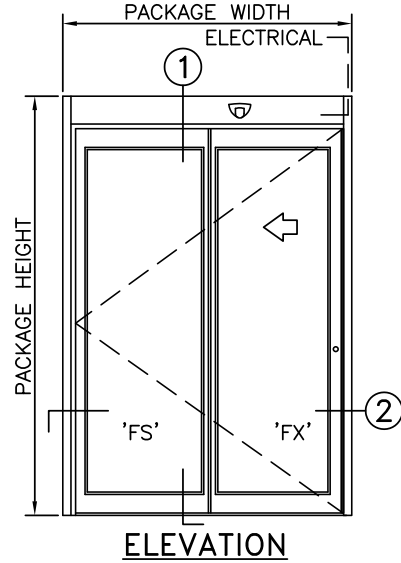
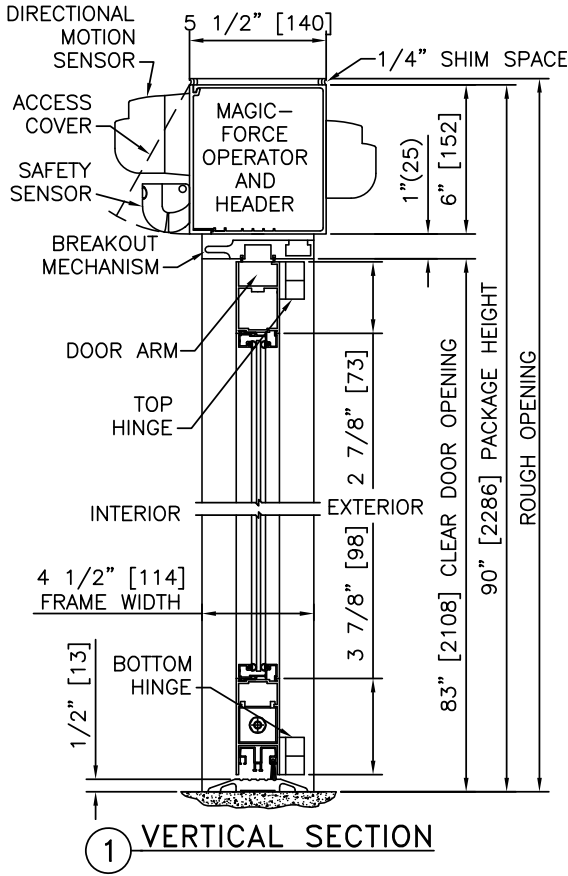


NOTES

1. ELECTRICAL REQUIREMENTS: 120 VAC, 5 AMP MIN TO POWER OPERATOR BY ELECTRICAL CONTRACTOR.
2. ROUGH OPENING SHALL PROVIDE 1/4"[6] SHIM SPACE ON SIDES AND TOP OF PACKAGE.
3. LIMITS OF ACTIVATION AND SAFETY ZONES ARE FOR REFERENCE ONLY; SEE ANSI/BHMA A156.10 FOR DETAILED REQUIREMENTS.
4. SEE SPECIFICATIONS FOR ADDITIONAL INFORMATION.

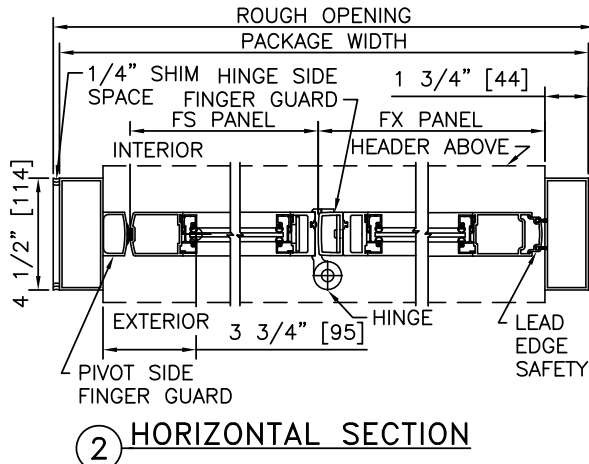


TYPICAL PACKAGE DIMENSIONS				
PACKAGE WIDTH	NOMINAL CLEAR DOOR OPENING	FX PANEL NOMINAL WIDTH	FS PANEL NOMINAL WIDTH	EMERGENCY BREAKOUT NOM. WIDTH
48"	32.2"	21.4"	21.0"	39.9"
56"	39.1"	25.4"	24.9"	47.9"
62"	44.3"	28.5"	27.8"	53.9"

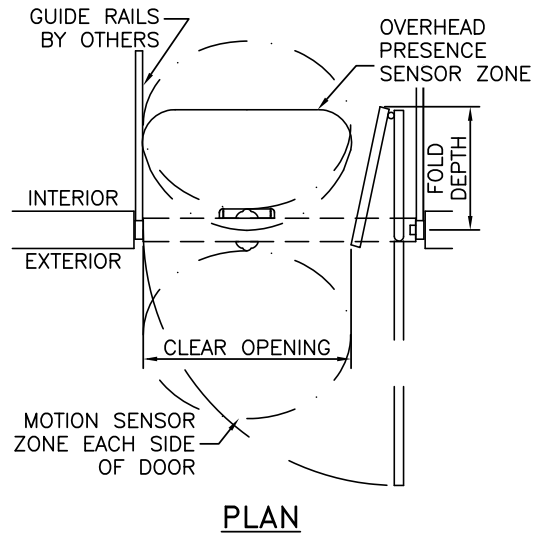
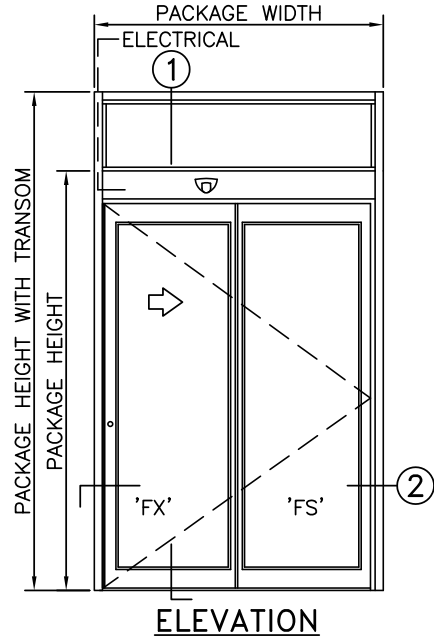
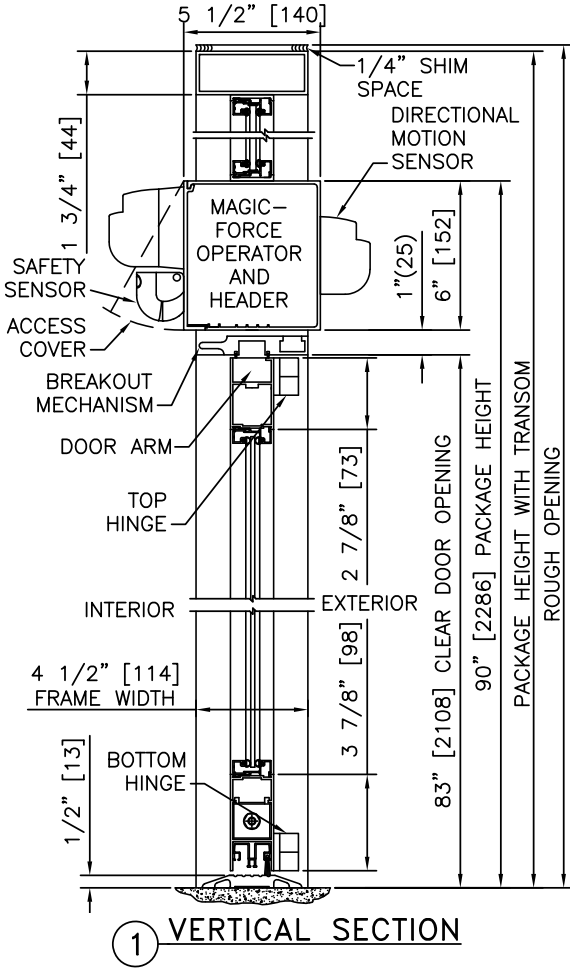


NOTES

1. ELECTRICAL REQUIREMENTS: 120 VAC, 5 AMP MIN TO POWER OPERATOR BY ELECTRICAL CONTRACTOR.
2. ROUGH OPENING SHALL PROVIDE 1/4" [6] SHIM SPACE ON SIDES AND TOP OF PACKAGE.
3. LIMITS OF ACTIVATION AND SAFETY ZONES ARE FOR REFERENCE ONLY; SEE ANSI/BHMA A156.10 FOR DETAILED REQUIREMENTS.
4. SEE SPECIFICATIONS FOR ADDITIONAL INFORMATION.

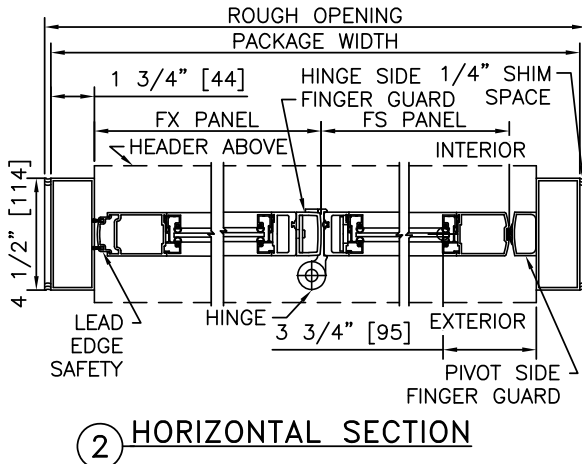


TYPICAL PACKAGE DIMENSIONS				
PACKAGE WIDTH	NOMINAL CLEAR DOOR OPENING	FX PANEL NOMINAL WIDTH	FS PANEL NOMINAL WIDTH	EMERGENCY BREAKOUT NOM. WIDTH
48"	32.2"	21.4"	21.0"	39.9"
56"	39.1"	25.4"	24.9"	47.9"
62"	44.3"	28.5"	27.8"	53.9"



NOTES

1. ELECTRICAL REQUIREMENTS: 120 VAC, 5 AMP MIN TO POWER OPERATOR BY ELECTRICAL CONTRACTOR.
2. ROUGH OPENING SHALL PROVIDE 1/4" [6] SHIM SPACE ON SIDES AND TOP OF PACKAGE.
3. LIMITS OF ACTIVATION AND SAFETY ZONES ARE FOR REFERENCE ONLY; SEE ANSI/BHMA A156.10 FOR DETAILED REQUIREMENTS.
4. SEE SPECIFICATIONS FOR ADDITIONAL INFORMATION.



TYPICAL PACKAGE DIMENSIONS				
PACKAGE WIDTH	NOMINAL CLEAR DOOR OPENING	FX PANEL NOMINAL WIDTH	FS PANEL NOMINAL WIDTH	EMERGENCY BREAKOUT NOM. WIDTH
48"	32.2"	21.4"	21.0"	39.9"
56"	39.1"	25.4"	24.9"	47.9"
62"	44.3"	28.5"	27.8"	53.9"

**BI-FOLD
SB 600
SERIES**

PROJECT INFORMATION

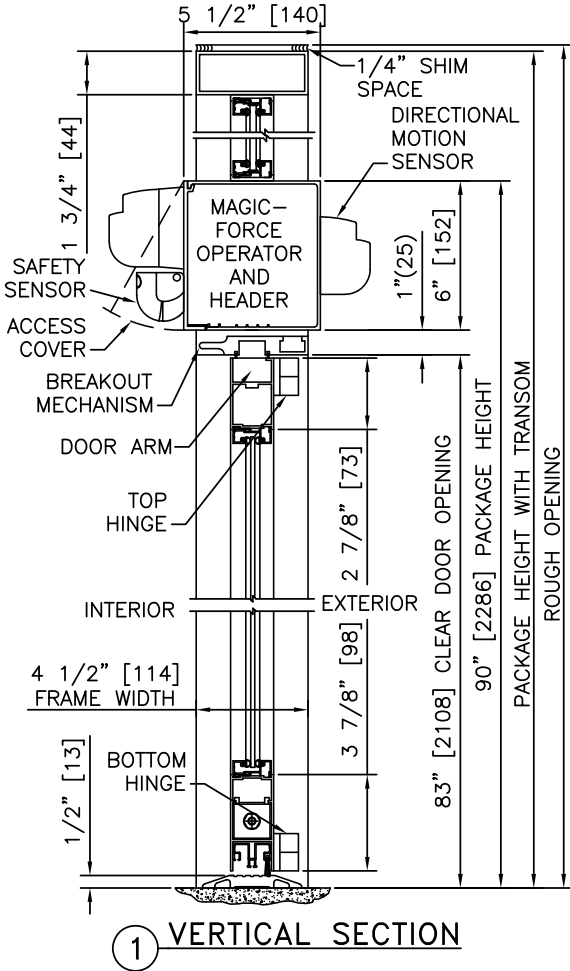
PROJECT NAME:

LOCATION:

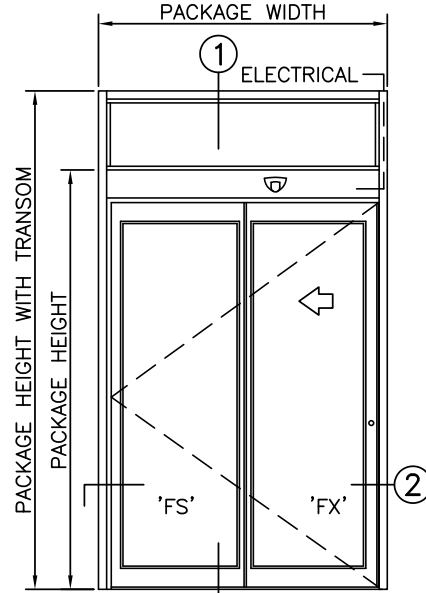
DOOR NUMBER(S):

DATE:

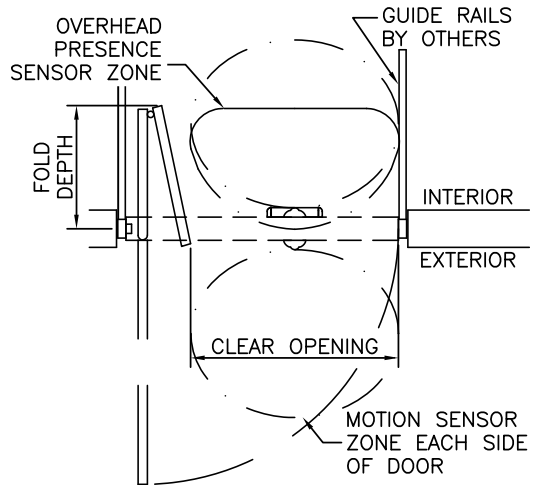
SHEET: OF



1 VERTICAL SECTION



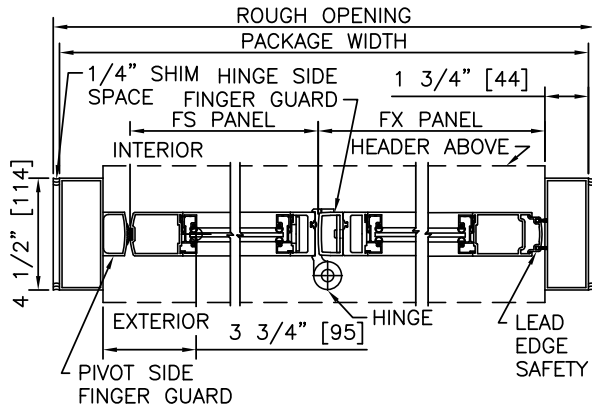
ELEVATION



PLAN

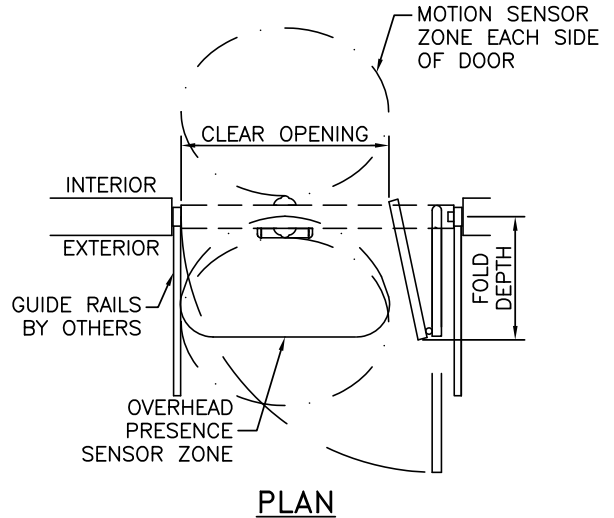
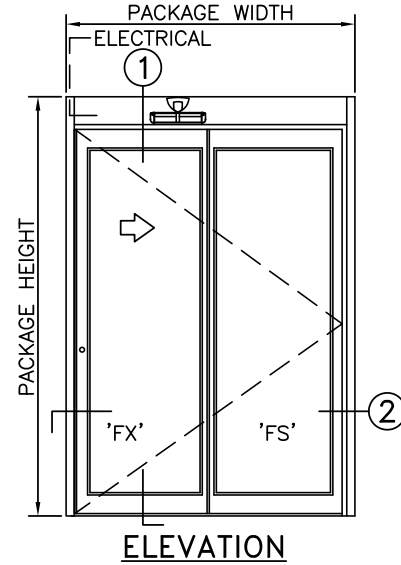
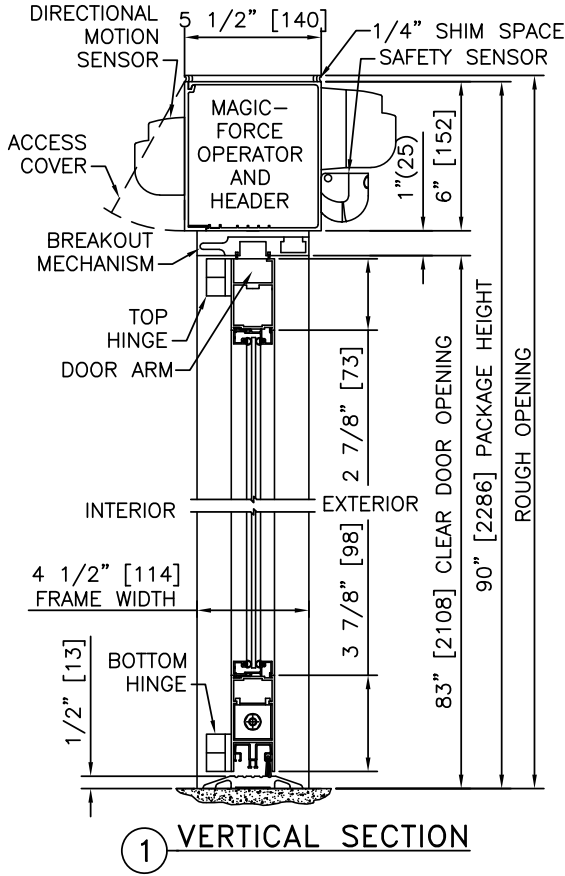
NOTES

1. ELECTRICAL REQUIREMENTS: 120 VAC, 5 AMP MIN TO POWER OPERATOR BY ELECTRICAL CONTRACTOR.
2. ROUGH OPENING SHALL PROVIDE 1/4" [6] SHIM SPACE ON SIDES AND TOP OF PACKAGE.
3. LIMITS OF ACTIVATION AND SAFETY ZONES ARE FOR REFERENCE ONLY; SEE ANSI/BHMA A156.10 FOR DETAILED REQUIREMENTS.
4. SEE SPECIFICATIONS FOR ADDITIONAL INFORMATION.



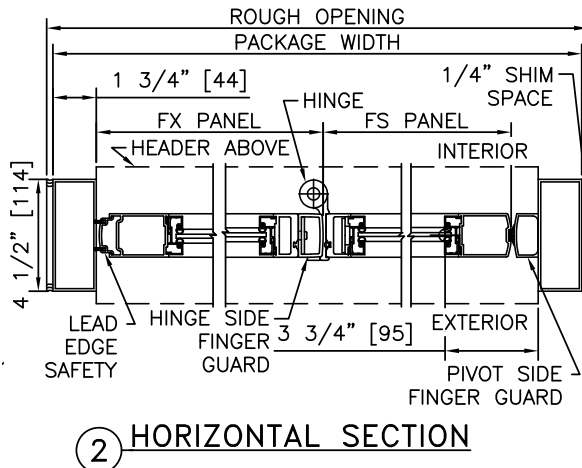
2 HORIZONTAL SECTION

TYPICAL PACKAGE DIMENSIONS				
PACKAGE WIDTH	NOMINAL CLEAR DOOR OPENING	FX PANEL NOMINAL WIDTH	FS PANEL NOMINAL WIDTH	EMERGENCY BREAKOUT NOM. WIDTH
48"	32.2"	21.4"	21.0"	39.9"
56"	39.1"	25.4"	24.9"	47.9"
62"	44.3"	28.5"	27.8"	53.9"



NOTES

1. ELECTRICAL REQUIREMENTS: 120 VAC, 5 AMP MIN TO POWER OPERATOR BY ELECTRICAL CONTRACTOR.
2. ROUGH OPENING SHALL PROVIDE 1/4" [6] SHIM SPACE ON SIDES AND TOP OF PACKAGE.
3. LIMITS OF ACTIVATION AND SAFETY ZONES ARE FOR REFERENCE ONLY; SEE ANSI/BHMA A156.10 FOR DETAILED REQUIREMENTS.
4. SEE SPECIFICATIONS FOR ADDITIONAL INFORMATION.



TYPICAL PACKAGE DIMENSIONS				
PACKAGE WIDTH	NOMINAL CLEAR DOOR OPENING	FX PANEL NOMINAL WIDTH	FS PANEL NOMINAL WIDTH	EMERGENCY BREAKOUT NOM. WIDTH
48"	32.2"	21.4"	21.0"	39.9"
56"	39.1"	25.4"	24.9"	47.9"
62"	44.3"	28.5"	27.8"	53.9"

**BI-FOLD
SB 600
SERIES**

SB 620 2-PANEL FOLD OUT BREAK OUT LEFT HAND

PROJECT INFORMATION

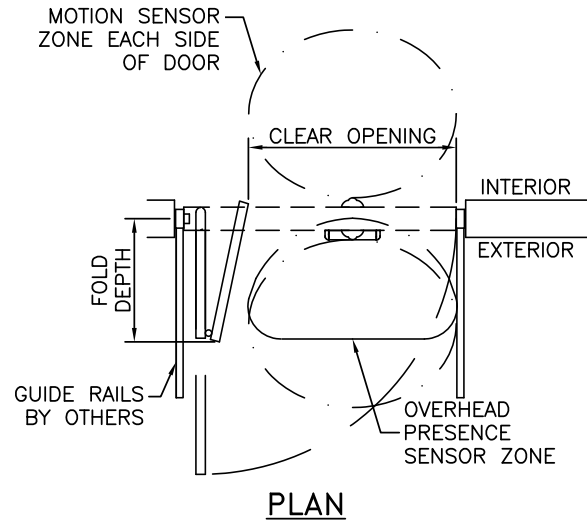
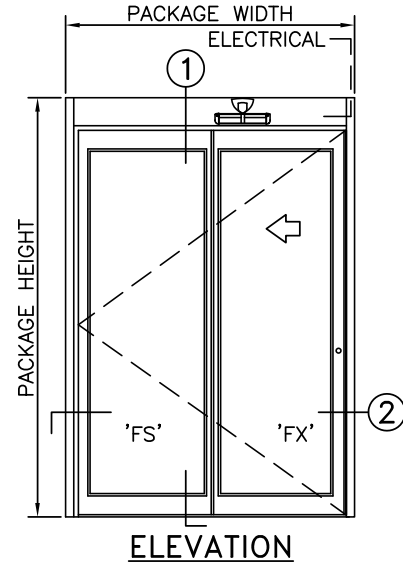
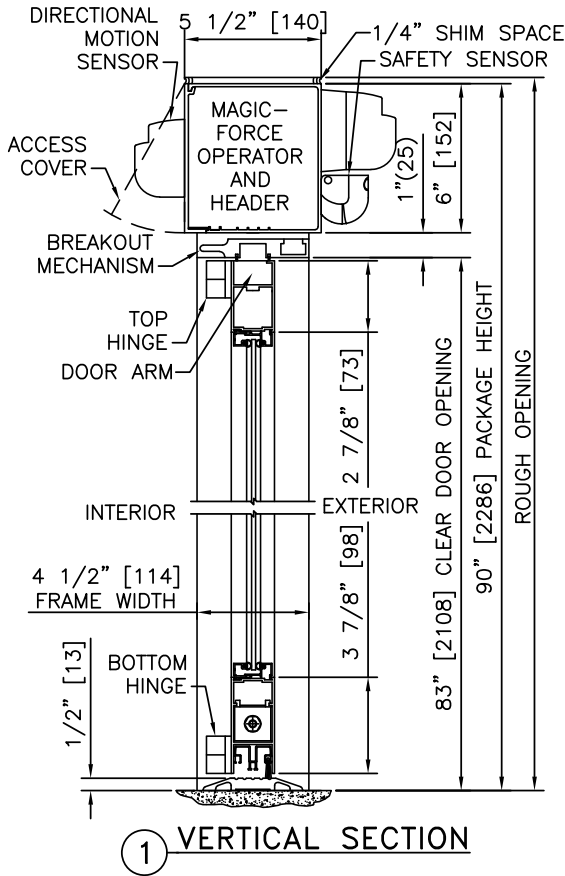
PROJECT NAME:

LOCATION:

DOOR NUMBER(S):

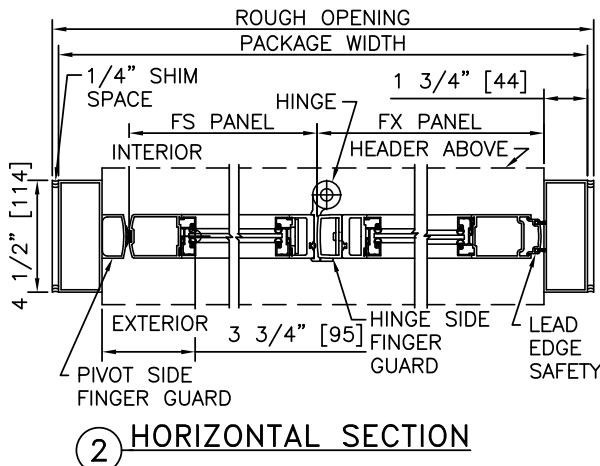
DATE:

SHEET: OF

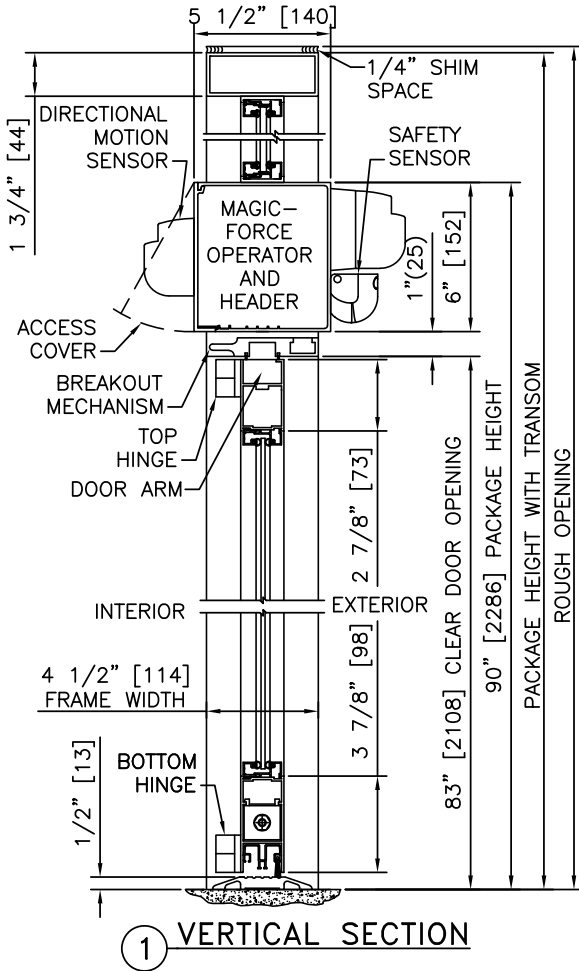


NOTES

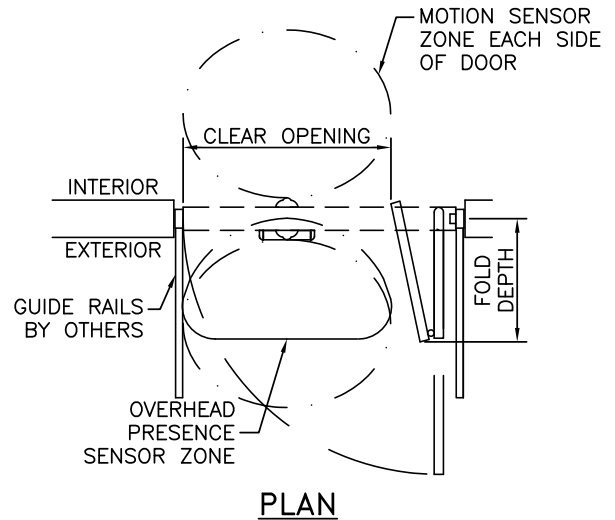
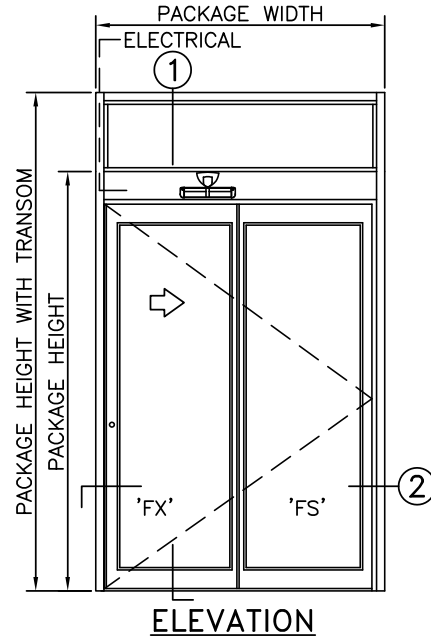
1. ELECTRICAL REQUIREMENTS: 120 VAC, 5 AMP MIN TO POWER OPERATOR BY ELECTRICAL CONTRACTOR.
2. ROUGH OPENING SHALL PROVIDE 1/4" [6] SHIM SPACE ON SIDES AND TOP OF PACKAGE.
3. LIMITS OF ACTIVATION AND SAFETY ZONES ARE FOR REFERENCE ONLY; SEE ANSI/BHMA A156.10 FOR DETAILED REQUIREMENTS.
4. SEE SPECIFICATIONS FOR ADDITIONAL INFORMATION.



TYPICAL PACKAGE DIMENSIONS				
PACKAGE WIDTH	NOMINAL CLEAR DOOR OPENING	FX PANEL NOMINAL WIDTH	FS PANEL NOMINAL WIDTH	EMERGENCY BREAKOUT NOM. WIDTH
48"	32.2"	21.4"	21.0"	39.9"
56"	39.1"	25.4"	24.9"	47.9"
62"	44.3"	28.5"	27.8"	53.9"

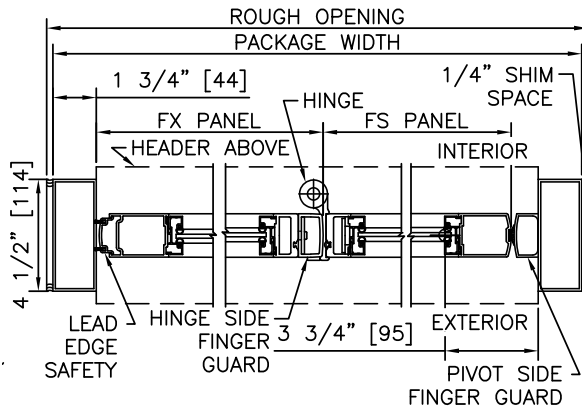


1 VERTICAL SECTION



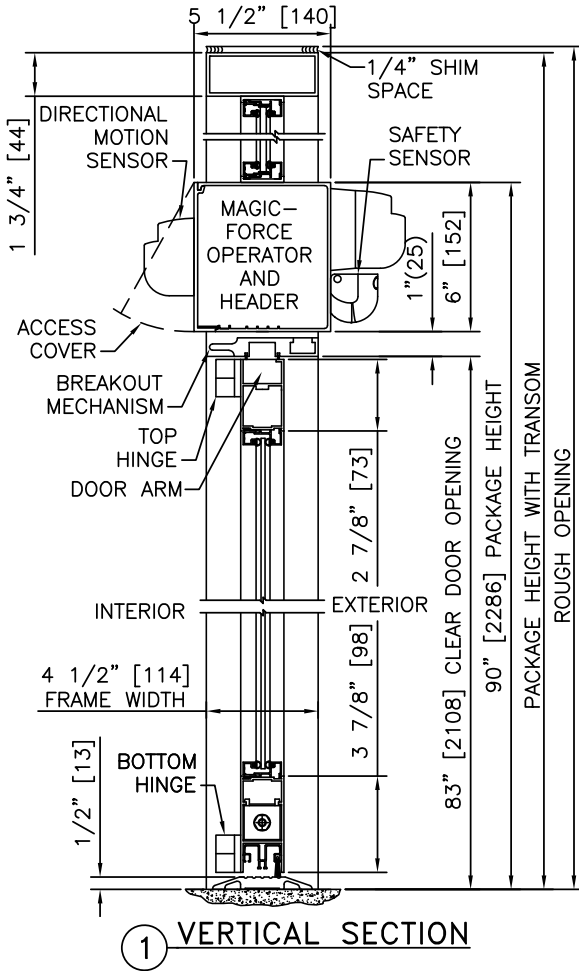
NOTES

1. ELECTRICAL REQUIREMENTS: 120 VAC, 5 AMP MIN TO POWER OPERATOR BY ELECTRICAL CONTRACTOR.
2. ROUGH OPENING SHALL PROVIDE 1/4" [6] SHIM SPACE ON SIDES AND TOP OF PACKAGE.
3. LIMITS OF ACTIVATION AND SAFETY ZONES ARE FOR REFERENCE ONLY; SEE ANSI/BHMA A156.10 FOR DETAILED REQUIREMENTS.
4. SEE SPECIFICATIONS FOR ADDITIONAL INFORMATION.

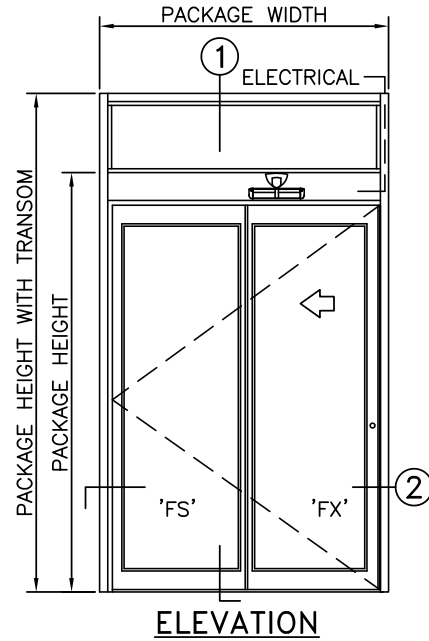


2 HORIZONTAL SECTION

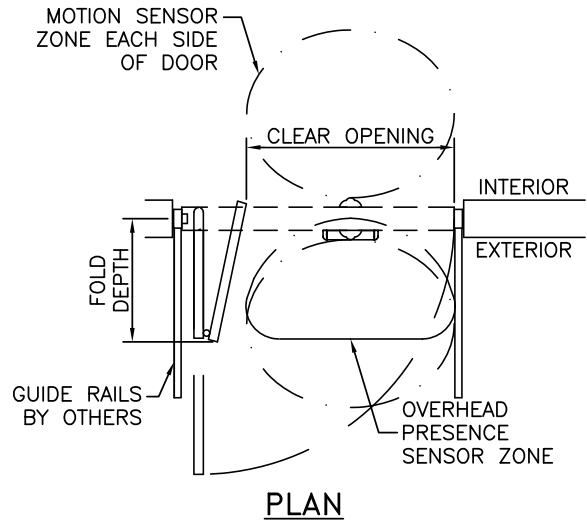
TYPICAL PACKAGE DIMENSIONS				
PACKAGE WIDTH	NOMINAL CLEAR DOOR OPENING	FX PANEL NOMINAL WIDTH	FS PANEL NOMINAL WIDTH	EMERGENCY BREAKOUT NOM. WIDTH
48"	32.2"	21.4"	21.0"	39.9"
56"	39.1"	25.4"	24.9"	47.9"
62"	44.3"	28.5"	27.8"	53.9"



① VERTICAL SECTION



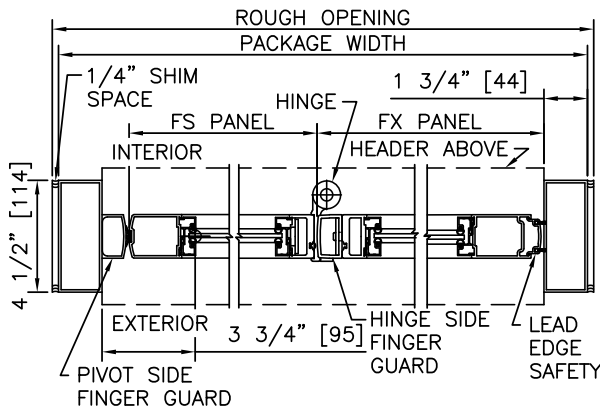
ELEVATION



PLAN

NOTES

1. ELECTRICAL REQUIREMENTS: 120 VAC, 5 AMP MIN TO POWER OPERATOR BY ELECTRICAL CONTRACTOR.
2. ROUGH OPENING SHALL PROVIDE 1/4" [6] SHIM SPACE ON SIDES AND TOP OF PACKAGE.
3. LIMITS OF ACTIVATION AND SAFETY ZONES ARE FOR REFERENCE ONLY; SEE ANSI/BHMA A156.10 FOR DETAILED REQUIREMENTS.
4. SEE SPECIFICATIONS FOR ADDITIONAL INFORMATION.



② HORIZONTAL SECTION

TYPICAL PACKAGE DIMENSIONS				
PACKAGE WIDTH	NOMINAL CLEAR DOOR OPENING	FX PANEL NOMINAL WIDTH	FS PANEL NOMINAL WIDTH	EMERGENCY BREAKOUT NOM. WIDTH
48"	32.2"	21.4"	21.0"	39.9"
56"	39.1"	25.4"	24.9"	47.9"
62"	44.3"	28.5"	27.8"	53.9"