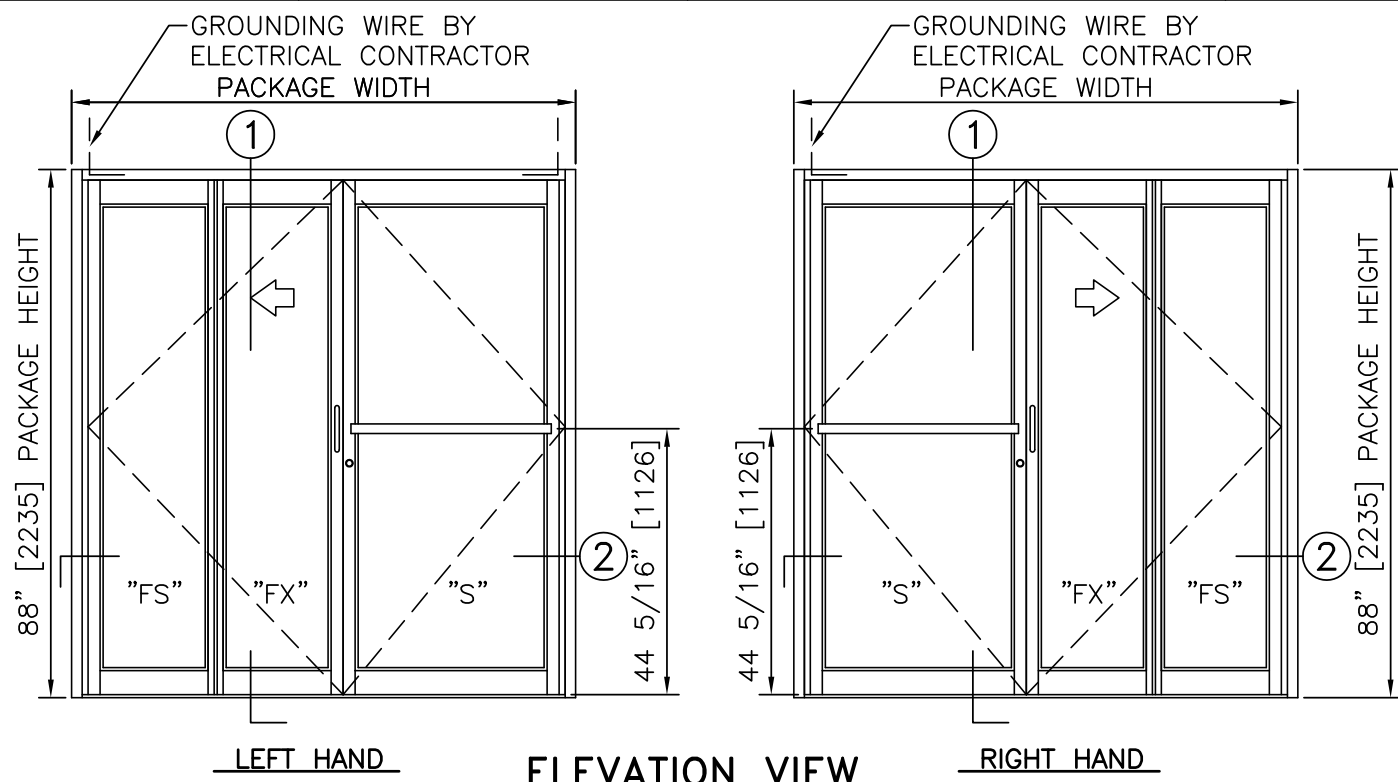


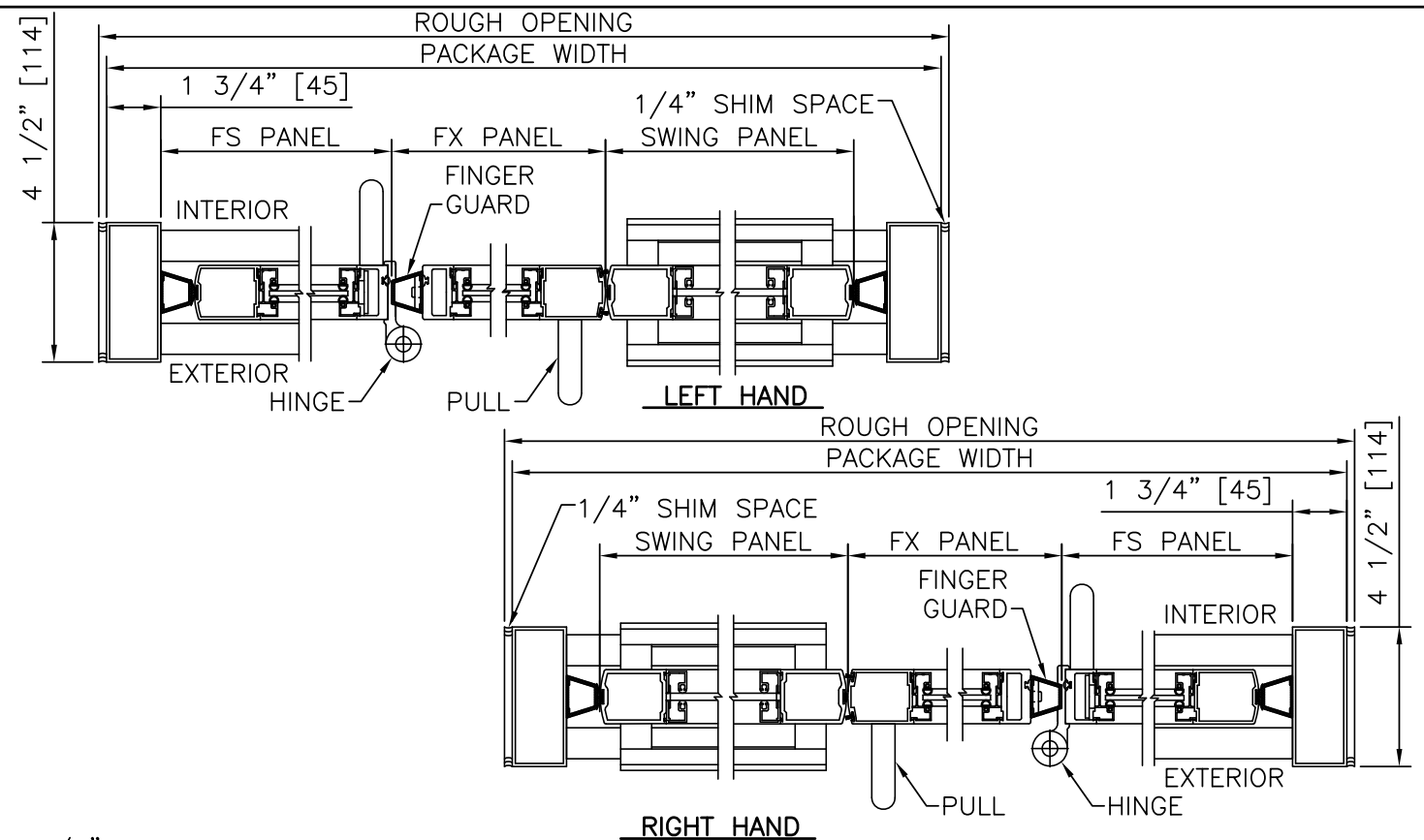


# DURA-CARE™ 7600 SERIES

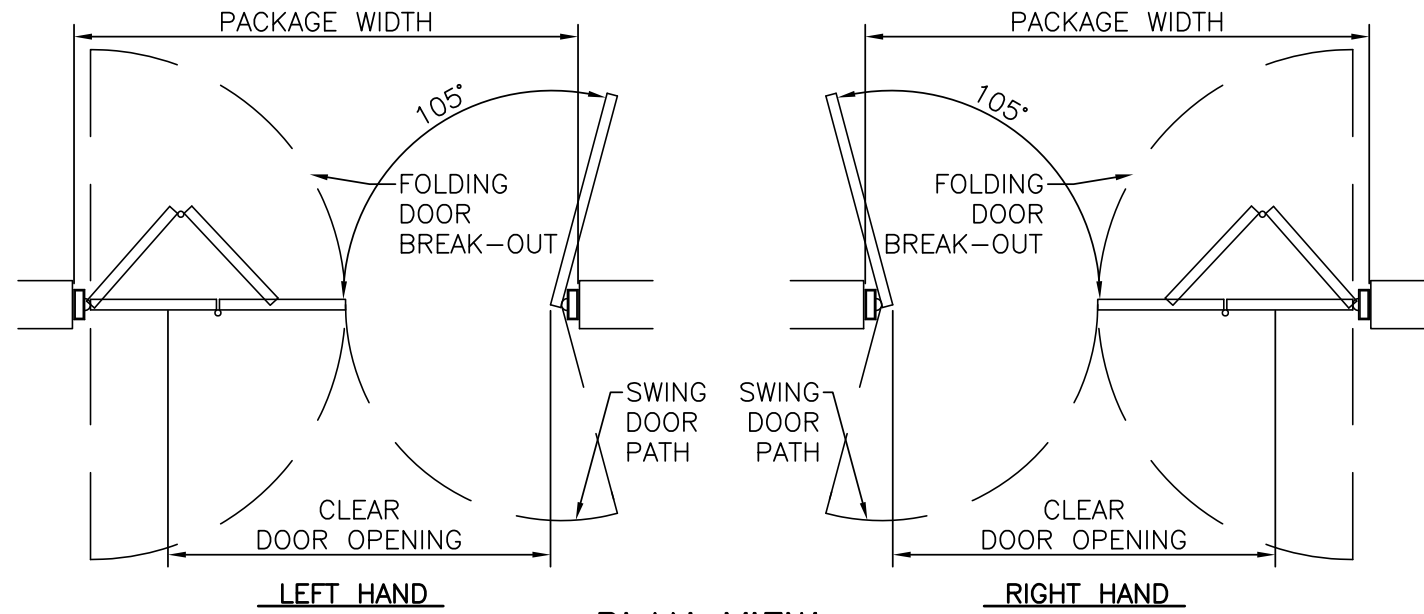
SPLIT FOLD TRACKLESS	
PROJECT INFORMATION	
PROJECT NAME:	
LOCATION:	
DOOR NUMBER(S):	
DATE:	SHEET: OF



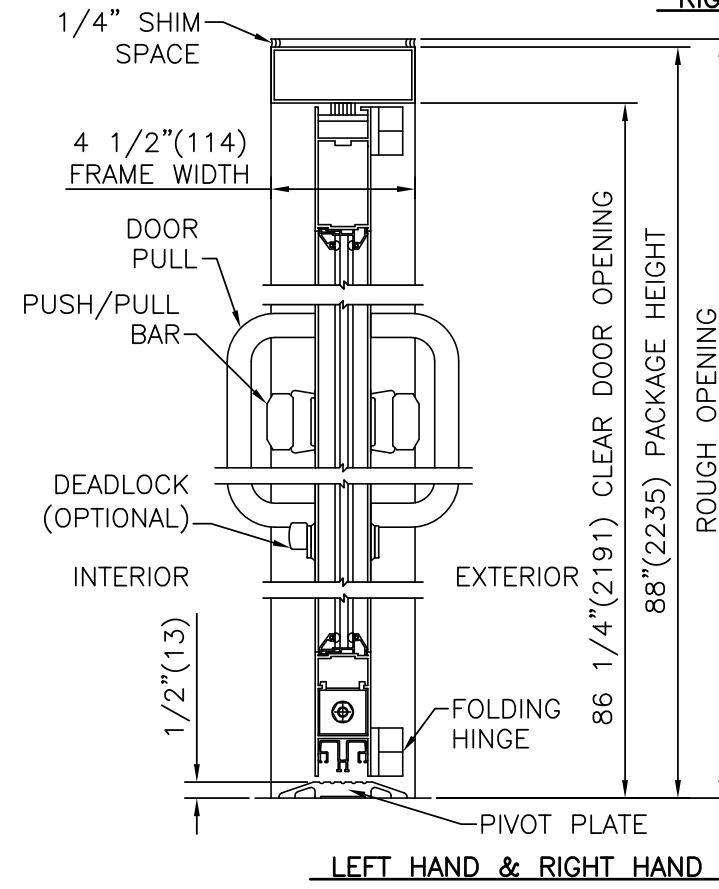
**ELEVATION VIEW**  
SCALE: 3/8" = 1'-0"



**HORIZONTAL SECTION**  
SCALE: 2" = 1'-0"



**PLAN VIEW**  
SCALE: 3/8" = 1'-0"



**VERTICAL SECTION**  
SCALE: 2" = 1'-0"

**PRODUCT OPTIONS**

- FINISH
  - ANODIZED CLEAR CL2
  - ANODIZED DK BRONZE
  - CUSTOM
- CONFIGURATION
  - FOLD-IN
  - FOLD-OUT
- SWING PANEL
  - 36"
  - 42"
  - 48"
- LOCKING
  - NONE
  - 1-POINT
- BOTTOM RAILS
  - STANDARD 4"
  - OPTIONAL 6" 8" 10" 12"
- MUNTINS
  - OPTIONAL 2" 4 1/4"

7600 FORMULAS  
CLEAR DOOR OPENING = PACKAGE WIDTH - 20.3"

- NOTES**
1. PACKAGE SHALL BE GROUNDED TO BUILDING GROUND SYSTEM. GROUNDING WIRE BY ELECTRICAL CONTRACTOR.
  2. ROUGH OPENING SHALL PROVIDE 1/4"[6] SHIM SPACE ON SIDES AND TOP OF PACKAGE.
  3. STANDARD PACKAGE HEIGHT SHOWN, PACKAGE HEIGHTS TO 96"[2438] AVAILABLE.
  4. STANDARD PACKAGE EXCLUDES LOCKING; 1-POINT LOCKING AVAILABLE.
  5. FOLD-IN PACKAGE SHOWN; FOLD-OUT AVAILABLE.
  6. GLAZING STOPS FOR ALL PANELS ARE 1/4"[6].
  7. STANDARD BOTTOM RAILS ARE SHOWN; BOTTOM RAILS TO 12"[305], AND MUNTINS 2"[51] AND 4 1/4"[108] AVAILABLE.
  8. SEE SPECIFICATIONS FOR ADDITIONAL INFORMATION.

TYPICAL PACKAGE DIMENSIONS		
PACKAGE WIDTH	NOMINAL CLEAR DOOR OPENING	SWING DOOR PANEL OPTIONS
84"	63.8"	36", 42", 48"
96"	75.8"	36", 42", 48"
108"	87.8"	42", 48"
120"	99.8"	48"

SPLIT FOLD TRACKLESS

## DURA-CARE™ 7600 SERIES

**DURA-CARE™**  
**7600**  
**SERIES**

RIGHT HAND FOLD-IN

PROJECT INFORMATION

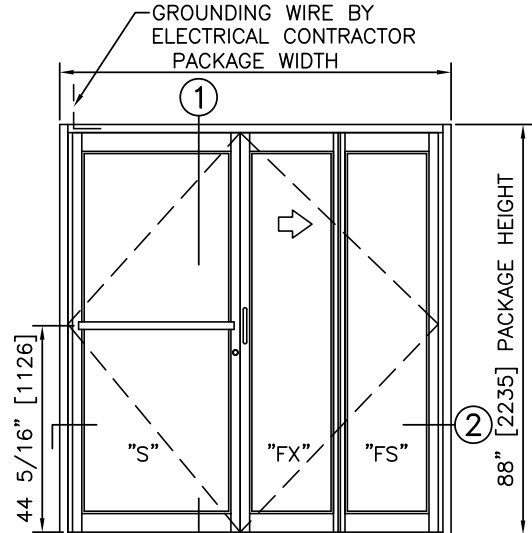
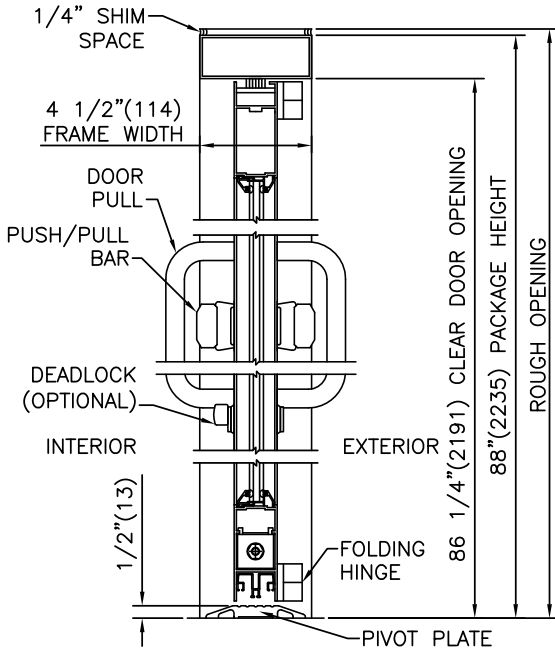
PROJECT NAME:

LOCATION:

DOOR NUMBER(S):

DATE:

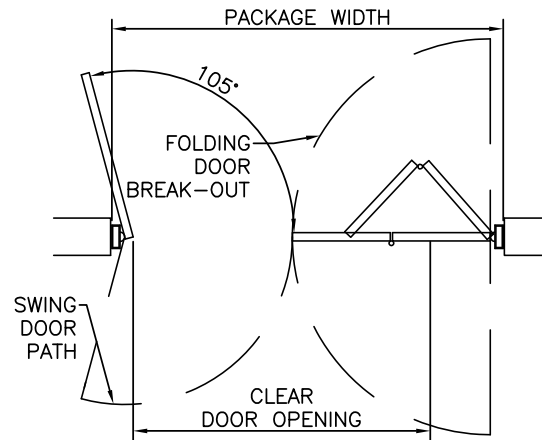
SHEET: OF



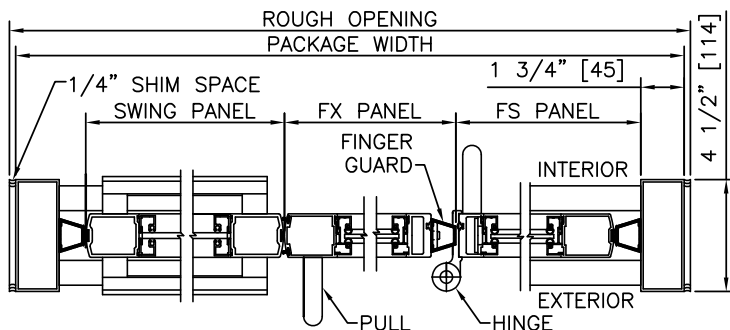
**ELEVATION**

**NOTES**

1. PACKAGE SHALL BE GROUNDED TO BUILDING GROUND SYSTEM. GROUNDING WIRE BY ELECTRICAL CONTRACTOR.
2. ROUGH OPENING SHALL PROVIDE 1/4" [6] SHIM SPACE ON SIDES AND TOP OF PACKAGE.
3. STANDARD PACKAGE EXCLUDES LOCKING; 1-POINT LOCKING AVAILABLE.
4. SEE SPECIFICATIONS FOR ADDITIONAL INFORMATION.



**PLAN**



**2 HORIZONTAL SECTION**

TYPICAL PACKAGE DIMENSIONS		
PACKAGE WIDTH	NOMINAL CLEAR DOOR OPENING	SWING DOOR PANEL OPTIONS
84"	63.8"	36", 42", 48"
96"	75.8"	36", 42", 48"
108"	87.8"	42", 48"
120"	99.8"	48"

**DURA-CARE™**  
**7600**  
**SERIES**

LEFT HAND FOLD-IN

PROJECT INFORMATION

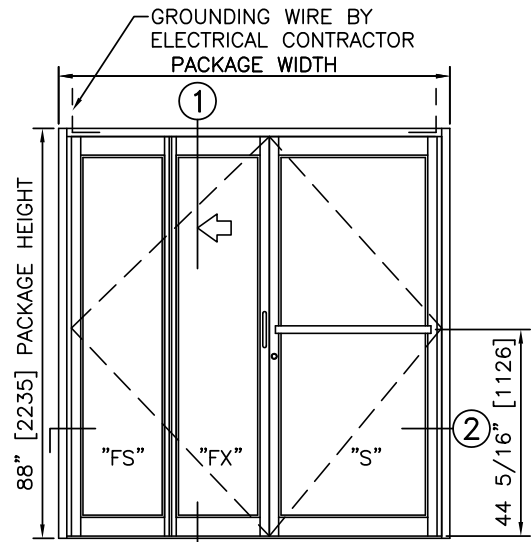
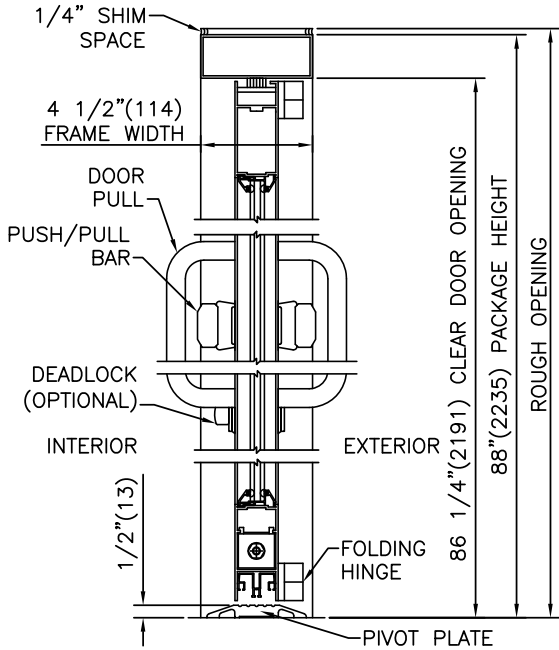
PROJECT NAME:

LOCATION:

DOOR NUMBER(S):

DATE:

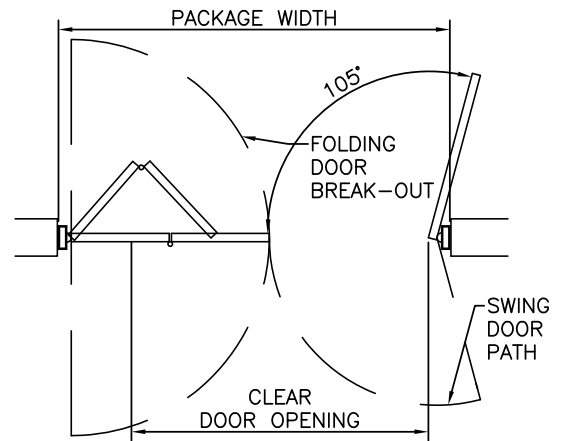
SHEET: OF



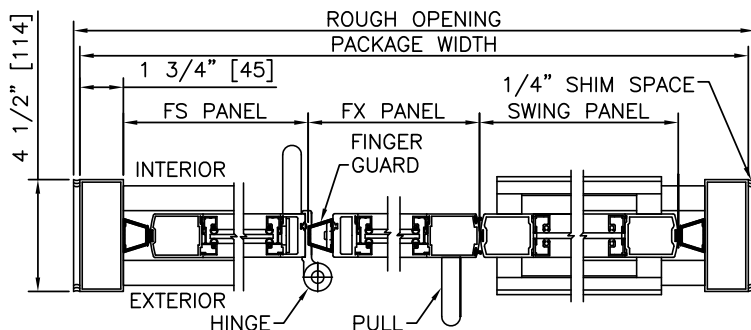
**ELEVATION**

**NOTES**

1. PACKAGE SHALL BE GROUNDED TO BUILDING GROUND SYSTEM. GROUNDING WIRE BY ELECTRICAL CONTRACTOR.
2. ROUGH OPENING SHALL PROVIDE 1/4" [6] SHIM SPACE ON SIDES AND TOP OF PACKAGE.
3. STANDARD PACKAGE EXCLUDES LOCKING; 1-POINT LOCKING AVAILABLE.
4. SEE SPECIFICATIONS FOR ADDITIONAL INFORMATION.



**PLAN**



**2 HORIZONTAL SECTION**

TYPICAL PACKAGE DIMENSIONS		
PACKAGE WIDTH	NOMINAL CLEAR DOOR OPENING	SWING DOOR PANEL OPTIONS
84"	63.8"	36", 42", 48"
96"	75.8"	36", 42", 48"
108"	87.8"	42", 48"
120"	99.8"	48"

**DURA-CARE™**  
**7600**  
**SERIES**

RIGHT HAND FOLD-OUT

PROJECT INFORMATION

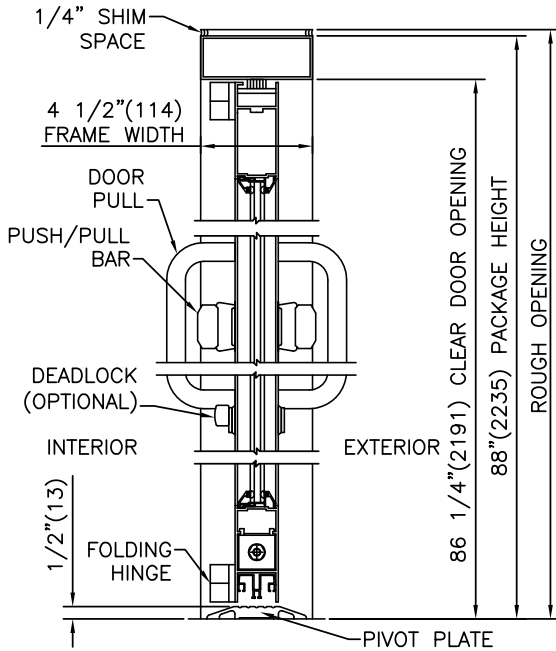
PROJECT NAME:

LOCATION:

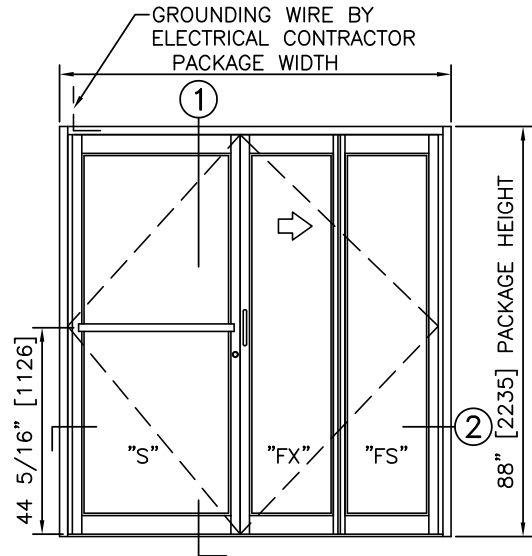
DOOR NUMBER(S):

DATE:

SHEET: OF



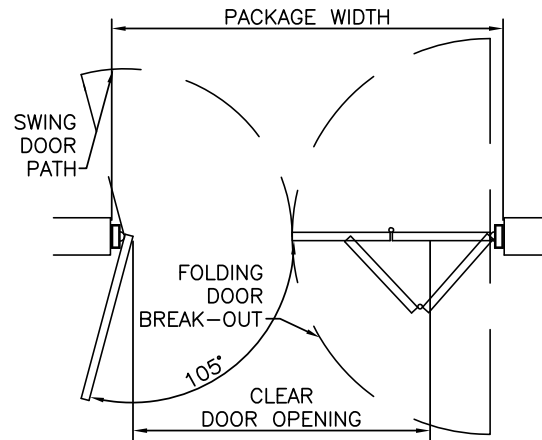
① VERTICAL SECTION



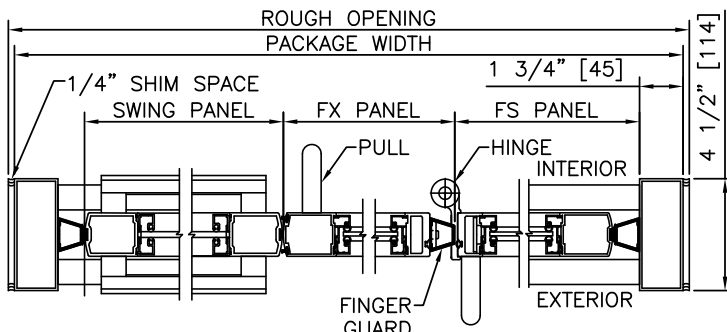
ELEVATION

**NOTES**

1. PACKAGE SHALL BE GROUNDED TO BUILDING GROUND SYSTEM. GROUNDING WIRE BY ELECTRICAL CONTRACTOR.
2. ROUGH OPENING SHALL PROVIDE 1/4"[6] SHIM SPACE ON SIDES AND TOP OF PACKAGE.
3. STANDARD PACKAGE EXCLUDES LOCKING; 1-POINT LOCKING AVAILABLE.
4. SEE SPECIFICATIONS FOR ADDITIONAL INFORMATION.



PLAN



② HORIZONTAL SECTION

TYPICAL PACKAGE DIMENSIONS		
PACKAGE WIDTH	NOMINAL CLEAR DOOR OPENING	SWING DOOR PANEL OPTIONS
84"	63.8"	36", 42", 48"
96"	75.8"	36", 42", 48"
108"	87.8"	42", 48"
120"	99.8"	48"

**DURA-CARE™**  
**7600**  
**SERIES**

LEFT HAND FOLD-OUT

PROJECT INFORMATION

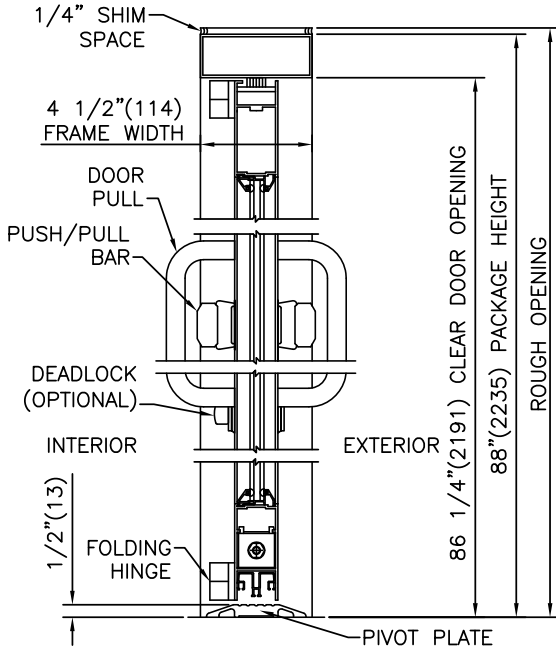
PROJECT NAME:

LOCATION:

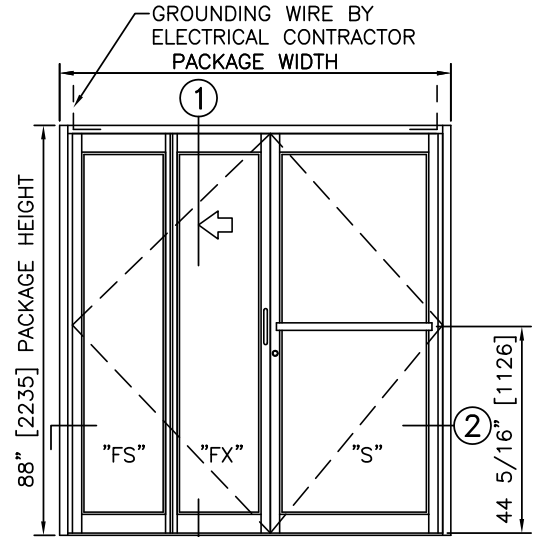
DOOR NUMBER(S):

DATE:

SHEET: OF



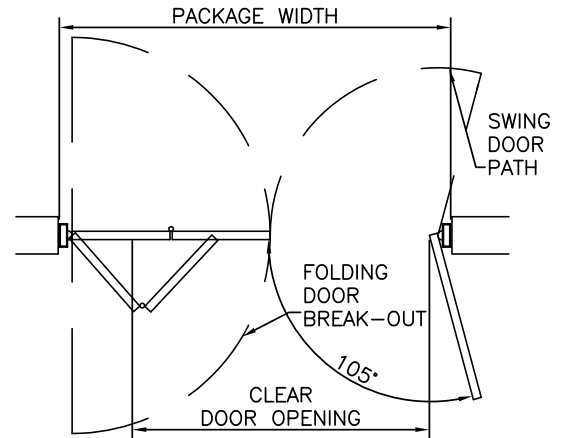
① VERTICAL SECTION



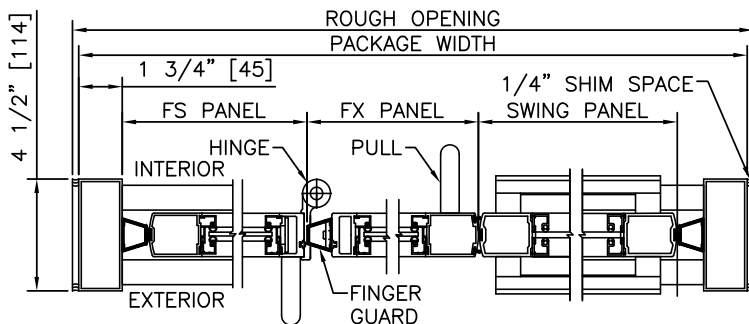
ELEVATION

**NOTES**

1. PACKAGE SHALL BE GROUNDED TO BUILDING GROUND SYSTEM. GROUNDING WIRE BY ELECTRICAL CONTRACTOR.
2. ROUGH OPENING SHALL PROVIDE 1/4" [6] SHIM SPACE ON SIDES AND TOP OF PACKAGE.
3. STANDARD PACKAGE EXCLUDES LOCKING; 1-POINT LOCKING AVAILABLE.
4. SEE SPECIFICATIONS FOR ADDITIONAL INFORMATION.



PLAN



② HORIZONTAL SECTION

TYPICAL PACKAGE DIMENSIONS		
PACKAGE WIDTH	NOMINAL CLEAR DOOR OPENING	SWING DOOR PANEL OPTIONS
84"	63.8"	36", 42", 48"
96"	75.8"	36", 42", 48"
108"	87.8"	42", 48"
120"	99.8"	48"