



Access Technologies

# AUTOMATIC SLIDE DOOR SYSTEMS

## Owner's Operation and Maintenance Manual

Including:

**Dura-Glide™ Series, Dura-Storm™ Series,  
Dura-Guard™ Series, Dura-Max™ Series, and IS10000**

### Contents

Section	Page
Caution Statement .....	2
To Our Customers .....	3
Service Availability .....	3
Limited Warranty .....	3
Compliance with Safety Standards .....	3
Operation .....	4
Daily Maintenance .....	5
Automatic Sliding Door Decals .....	6
Troubleshooting and Hints .....	6
Terminology Index Drawing .....	7
Terminology Index .....	7
Daily Safety Check .....	8



# CAUTION

**Improperly Adjusted Door** can cause injury and equipment damage.

- Inspect door operation daily using safety checklist in Owner's Operation and Maintenance Manual and at door.
- Safety devices should be in place and operational
- Have door adjusted as recommended in Owner's Operation and Maintenance Manual if necessary.
- Have door inspected at least annually by a Stanley

\*In this manual, the word "Caution" means that injury or property damage can result from failure to follow instructions.

\*The word "note" is used to indicate important steps to be followed or important differences in equipment.

## To Our Customers:

The purpose of this Owner's Manual is to familiarize you with your automatic door system. It is essential that you "know your system", how it operates, and that you recognize the importance of maintaining your door system in compliance with the industry standards for safety.

It is your responsibility, as owner or caretaker of the equipment, to inspect the operation of your door system on a daily basis to ensure that it is safe for all users of the door.

This manual will provide you with a description of the operation and maintenance requirements of your door system. It also provides the instructions for the "Daily Safety Check" procedure. It is recommended by Stanley Access Technologies LLC that the "Daily Safety Check" be performed at least once a day and after any power outage. Occasional observance of the doors as they are in use is also recommended.

Should the door fail to operate as prescribed in the "Daily Safety Check", or at any other time for any reason, do not attempt to repair or adjust the door. Discontinue operation of the door and call for service by a Stanley AAADM-certified service technician. Our technicians are trained to service your door in accordance with applicable industry safety standards.

## Service Availability:

Stanley Access Technologies LLC products are distributed through a nationwide network of Stanley-owned branch locations and authorized distributors that specialize in Sales, Installation and Service of automatic door systems. Our Service programs offer you ongoing support such as regularly scheduled preventive maintenance, or if required, emergency service 24 hours a day, 365 days a year. No matter where you are located, our technicians are only a phone call away. Should you need service on your door system **our customer support hotline is available 24/7 at 1-888-DOOR-444.**

## Limited Warranty

Stanley Access Technologies, LLC a Division of Stanley Black & Decker, Inc., warrants the installed door system against failure due to manufacture of substandard material or workmanship for one-year beginning on the completed date of installation. Please review your Certificate of Warranty Agreement for your full Warranty.

## Compliance with Industry Standards

Your door system was designed to the latest operating and safety standards as prescribed by ANSI/BHMA A156.10 and UL®325 requirements. It is important that:

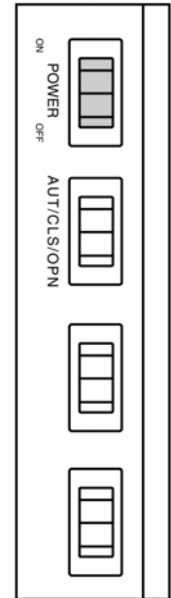
- Your door system is maintained in compliance with all applicable standards.
- Perform a Daily Safety Check at the beginning of each day to ensure that all door components and safety systems are functioning properly.
- Proper decals and labels be applied and maintained on your doors. If decals have been removed or cannot be read, request that the labels be replaced when calling for service.
- Safety devices are checked by a trained technician annually and each time a door is serviced.

## Operation

### Function Switches:

The function switches for the door operator are located on the underside of the door header or on the jamb of the stationary panel (see diagram). The function switches are:

- Power Switch – this switch is illuminated a red color when the power is on. This switch should not be turned off unless the door is being serviced.
- Auto/Close/Open Switch – this is a 3-position switch that allows the door to function automatically (auto); stay closed and not function at all, but remain secure (close); or hold open indefinitely (open).
- Enter switch – If the “one-way” feature is installed, this switch will change the mode of the door so that it will not open from the outside when the door is fully closed
- Reduced Opening Switch – if the “Reduced Opening” feature is installed, this switch will cause the door to open partially when activated.



### Emergency Breakout:

In case of power failure or other emergency, our sliding doors “breakout” to provide a wide opening, so you’re always assured of a clear exit. Depending on your model, the number of panels that breakout varies.

Break out means that if you push the leading edge of the sliding panel outward, as you would a swing door, the panel will unlatch and pivot outwards. This can be done at any point of the door’s normal slide path. If the doors are broken out, there is a switch that will disable automatic operation. The doors will not function automatically unless the panels are returned to their normal, operating position.

### Reset:

If the door system loses power for any period of time, the controller in the header will have to reinitialize. Initialization the door will occur automatically during the first cycle of operation when power is restored and the door is not physically locked. The steps for a manual reset are as follows:

1. Turn “POWER” switch to “OFF” position (non-illuminated)
2. Verify that none of the panels are “broken out”. (not aligned in door track)
3. Turn “AUTO/CLOSE/OPEN” switch to “AUTO” position.
4. Turn “POWER” switch to “ON”.
5. Step back as doors re-tune to normal operation.

## Daily Maintenance

### Housekeeping

General housekeeping maintenance should be provided by the owner or responsible person in charge. Check the door area for tripping or slipping hazards. There should be no bulletin boards, literature racks, merchandise displays, or other attractions in the door area where people could be hit by the door. The track assembly must be maintained free of debris. If your door system is equipped with a track, it is recommended that any debris in the door track be vacuumed out.

### Daily Maintenance

Stanley Access Technologies recommends that the doors are inspected daily to ensure performance and safety. Please perform the following before the beginning of each day:

1. A full Daily Safety Check should be performed each day.
2. Check the door area for slipping or tripping hazards
3. If the door package contains a threshold, sweep floor track to remove dust and debris
4. Check all door panels for broken or cracked glass. If broken or cracked glass is detected, contact our call center at 888-DOOR-444 immediately.
5. As mentioned above, ensure that there are no bulletin boards, literature racks, displays, or other attractions that could impede the operation of the door panels.



### Cleaning

Stanley Access Technologies recommends that you clean the automatic door system using the following procedure:

1. Glass – Clean with water and a cotton cloth or use Windex™ or other like-product with a detergent and alcohol-based cleaner.
2. Aluminum – Clean with a mixture of equal parts Windex or other like-product and Simple Green™ All Purpose Cleaner and a cotton cloth.
3. DO NOT USE any product with Alkalide or other sodium-based product as it could deteriorate the aluminum finish.

Note: Stanley recommends a semi-annual inspection / adjustment of your automatic door equipment to optimize its performance and to extend the life-time of your purchase.

## Automatic Sliding Door Decals

Sliding doors servicing ingress or egress must be marked with directional decals. The arrow sign must be visible from the approach side and an international “DO NOT ENTER” must be visible from the other side. These door decals must be affixed on the door 58” +/-5” from the finished floor.

KNOWING ACT DOORS – The door shall have signage which says “AUTOMATIC DOOR – ACTIVATE SWITCH TO OPERATE” along with other required signage visible from each side of the door.

Decals included:



**IN EMERGENCY PUSH TO OPEN**

**CAUTION STAND BACK**

**CAUTION: AUTOMATIC SLIDING DOOR**  
Door may close without warning

Decals Ordered Separately:



P/N 413743

P/N 511164 P/N 511165

A “Daily Safety Check” decal has also been provided as a reminder that your automatic door equipment must be checked daily for safe operation. Affix this decal to the side of the jamb tube.

Certain jurisdictions require “This Door Must Remain Unlocked When the Building is Occupied” decal affixed on all exit doors. This decal is not supplied as part of the decal kit.

**THIS DOOR TO REMAIN UNLOCKED  
WHEN THE BUILDING IS OCCUPIED**

## Troubleshooting and Hints

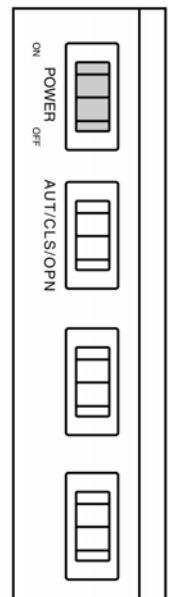
**PROBLEM:** Door(s) will not operate (will not open or close)

**ACTION:** Is the power switch on? If not, turn it on.

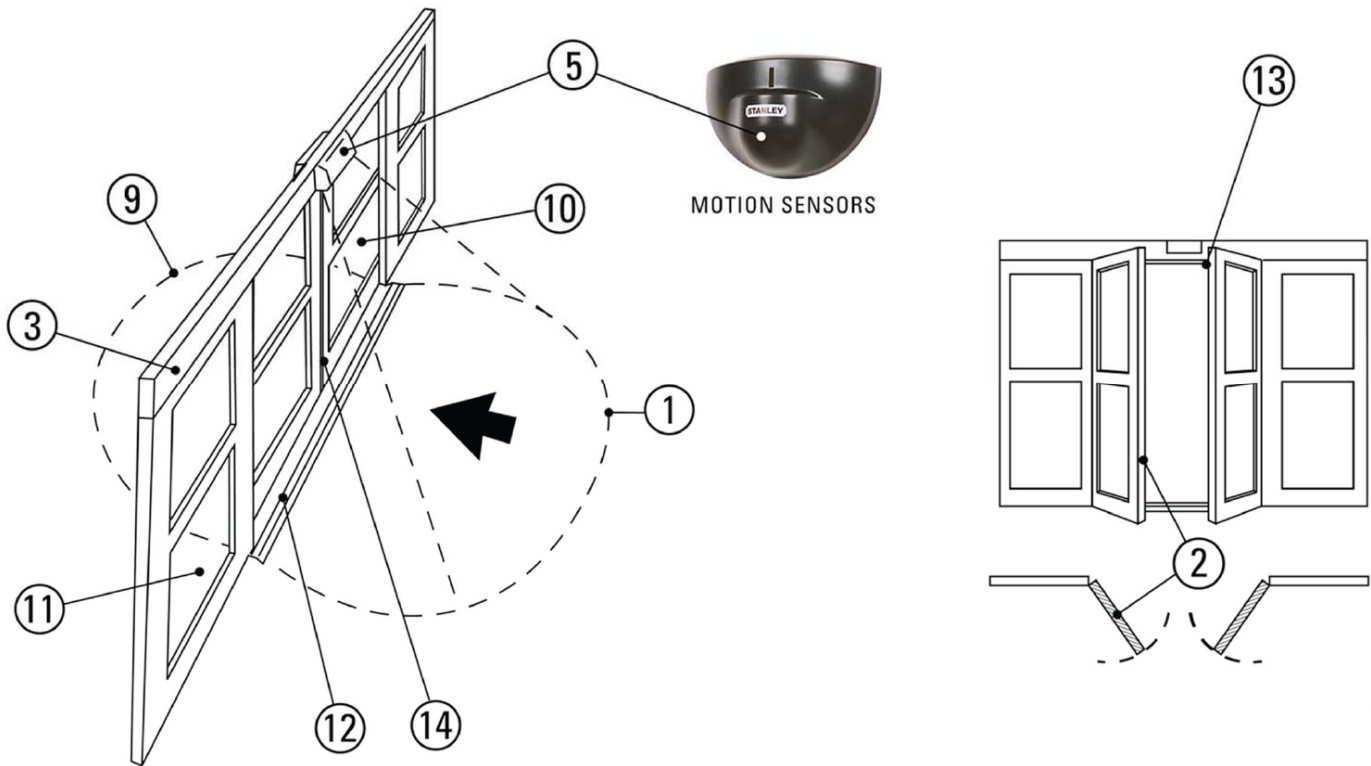
If the power switch is on, the door(s) may need to be reset. This is done by turning the power switch to the “OFF” position. Wait a few seconds, turn back “ON” and allow the door to re-tune itself. The door(s) will open and close very slowly in a search mode and, if possible, the door(s) should not be interrupted during the process. If traffic must go through, door(s) will open at regular speed then when zone is clear, door(s) will close at regular speed until they reach the point of interruption then resume search mode (slow speed) until closed.

“AUT/CLS/OPN” (Auto/Close/Open) switch should be set to “AUT”. If set to “CLS”, door(s) should close and remain closed – sensors are off. If set to “OPN”, door(s) should open and remain open.

Check all panels for breakout. Are all doors securely in place (not broken out)? May require up to 50lbs. of force to push back in. Do they manually slide all the way open and closed with little effort? If not, is the track clean?



# TERMINOLOGY DRAWING AND INDEX



1. **Activating Zone** – It is the detection pattern (zone) of approximately five feet deep and as wide as the clear door opening protected by the motion sensor. When someone enters the zone, the control is actuated and the sliding door panels open.
2. **Emergency Egress Position (Breakout)** - The sliding door panel(s) swing outward for emergency egress. The door system is inoperative in this position.
3. **Header** – The top horizontal aluminum tube that contains the operating mechanism.
4. **IN Door(s)** – Designed for traffic into the building only.
5. **Motion Sensor** – It is a self-contained unit mounted on the header. When someone enters the zone, the control is activated and the sliding door panels open.
6. **OUT Doors** – Designed for traffic out of the building
7. **Recycle** – When a door is closing and it is activated, it immediately reverses and goes to its “open” position.
8. **Breakout** – A term applied to describe the ability to allow emergency egress through the door(s) in a manner different from its normal operation. In sliding doors, the sliding panel swings out.
9. **Reset Door Panels from Breakout Position** – Push the swing out door panel(s) closed to their normal position.
10. **Safety Zone** – The area covered by motion sensors and threshold presence sensors.
11. **Sliding Door** – A door sliding parallel with the wall or face of the building allowing access.
12. **Threshold** – Area of the floor that contains the door track where the panels move over.
13. **Stan-Guard™ Threshold Sensor** - A presence sensor mounted on the underside of the header, directly above the door opening to detect the presence of a person or object in the pathway of the door.
14. **Holding Beam** – A device which employs the use of a visible or invisible light beam across or through an opening. When the beam is interrupted by a person or object, the signal is generated.

# DAILY SAFETY CHECK

*For Your Customers' Safety and Your Own Protection*

**Perform This Safety Check on Each Automatic Sliding Door Each Day  
And After Any Power Outage or Generator Test**



## **SLIDE DOOR SYSTEMS WITH ELECTRONIC CONTROLS**

1. Check electronic sensor by walking toward the door opening from several angles. The door should start opening when you are about five feet from the door. The door should slide open smoothly and stop without impact. Repeat on the other side of the opening.
2. Step out of the sensor zone. After a brief time delay, the door should slide closed smoothly and fully without impact.
3. Remain motionless at the side of the door with the door closed and cover the doorway holding beam with your hand. The door should open fully.

## **SLIDE DOOR SYSTEMS WITH OVERHEAD THRESHOLD SAFETY SYSTEM**

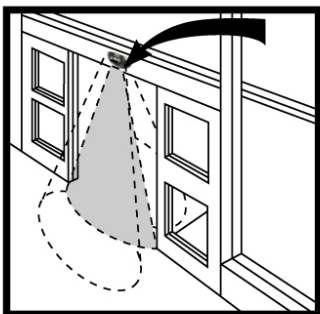
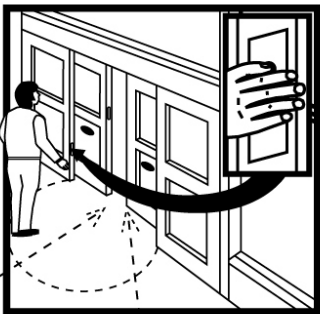
If your sliding door is equipped with an Overhead Threshold Safety System, check the following components daily:

**Inside and Outside Approach Activation Sensors** - Both sensors should be in place and should operate as described in steps 1 and 2 under Electronic Controls. For "one way" traffic applications, one of the sensors will shut off when the door is fully closed. The sensor should turn on when the opposite side sensor activates this system.

**Overhead Threshold Safety Sensor** - The Overhead Threshold Safety Sensor is mounted on the aluminum enclosure directly above the door opening. It senses presence in the threshold zone. This zone covers the full width of the door opening and extends approximately 10" on either side of the threshold.

### **To test the system:**

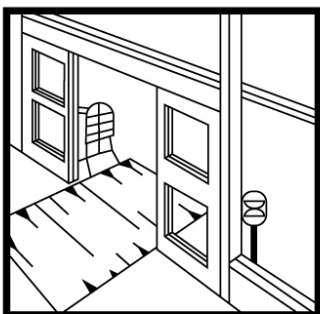
1. Walk towards the door opening from several angles. The door should start opening when you are about five feet from the door. The door should slide open smoothly and stop without impact.
2. When the door starts to open, the Stan-Guard sensor will be activated. Walk into the threshold area and stop. A red indicator light on the Stan-Guard will turn off when the control senses you. Stand in the threshold zone for several seconds. The door should remain open. Continue on through the opening and walk at least five feet from the door. After a brief delay, the door should close.
3. Turn and repeat the above zone tests by approaching the door from the opposite direction.



**If you have a problem you cannot correct, turn off the door operating equipment and call your service**

## **DOORS AND FRAMES**

1. Check the door area for tripping and slipping hazards.
2. Check all door panels for broken or cracked glass. There should be no bulletin boards, literature racks, merchandise displays, or other attractions in the door area where people could be hit by the door.
3. Door should have safety decals properly displayed.



**FOR SERVICE, CALL TOLL FREE**

**1-888-DOOR-444**

**STANLEY**  
Access Technologies