



THE NEW DURA-STORM™ 3000 IMPACT-RATED LEVEL E DOOR

Turn your essential facility into a safe haven.

With hurricane season causing \$202 billion in damage in 2017, the most expensive in U.S. history, hurricane preparedness is more critical than ever.

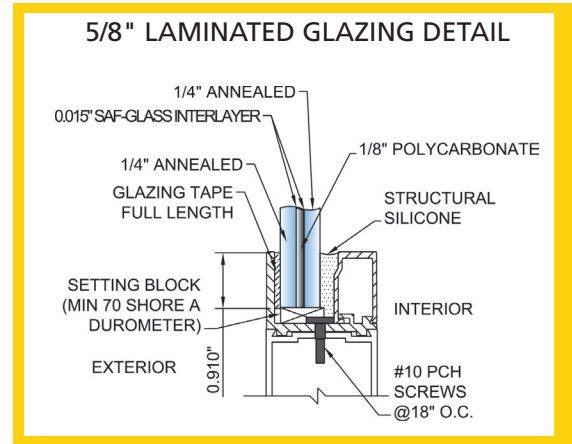
Designed to increase the structural resilience of essential facilities, the Dura-Storm Level E provides the utmost protection against windborne debris and hurricane force wind loads when evacuation is not an option.

- Meets the 2017 Florida Building Code for essential facilities.
- Door frame and panel structure can absorb 262% more kinetic energy* on impact.
- Third party certified for:
 - Missile impact testing for glass, glazing method, and door frame.
 - Air leakage testing (ASTM E283).
 - Positive and negative design pressures (75 psf).
 - Positive and negative cyclic load testing

*Compared to Level D requirements.

Defend your entryway with the highest level of protection.

- ▶ Withstand 80 ft/s impacts with our expertly designed reinforced panel assembly, frame, and 5 layer glazing composition.
- ▶ Annealed-glass polycarbonate and interlayer PVB make this glass so strong it cannot be easily penetrated, even if the glass is shattered.
- ▶ Combined structural glazing tape and silicone sealant for added strength.



SPECIFICATIONS		OPTIONS
DESIGN	Bi-part	
BREAKOUT	SX and SO panels (full break out)	
MAXIMUM WIDTH AND HEIGHT	Height: 8' (2m), Width 14' (4m)	
HEADER SIZE	8" (203mm) High x 6" (152mm) Deep	
JAMB DIMENSION	1 3/4" (44mm) x 4.5" (114mm)	1 3/4" (44mm) x 6" (152mm)
STILES	Medium	
TYPICAL DOOR PANEL WEIGHT	Up to 220 Pounds Each (100kg)	Heavier options available*
DOOR PANEL MATERIALS	Aluminum	
GLASS	5/8" laminated multi-layer	
POWER REQUIRED	120 VAC, 50/60 HZ, 5 Amps Minimum	
DRIVE SYSTEM	1/4 HP DC Motor, Gear Drive, Toothed belt	Twin 1/4 HP DCMotors
CONTROLS	Rocker Switch (with Reduced Open)	Rotary, Keyed Rotary Controls, Eco Pro (all include Reduced Open)
CONTROLLER	Microprocessor Based, Safety Logic	
ACTIVATION SENSORS	2 SU-100 Motion (Fast Tracking Enabled**)	Activation sensors, Wallplates, Radio Control
SAFETY SENSORS	1 Stan-Guard® and 2 Doorway Holding Beams	Combination sensors and mats
TEMPERATURE RATING	-30F (-34.4C) to 130F (54.4C)	
SEALING SYSTEM	Dual Extended Concealed Sweeps, Additional Sweep Gap Fillers and Air Infiltration Blocks	
MUNTIN	4 1/4"	
BOTTOM RAILS	4" (102mm)	10" (245mm)
THRESHOLD	Configurable Options (Continuous Required.)	
SPEED RANGE	Closing: 0.5 – 1.0 ft/sec/leaf per ANSI/BHMA A156.10	
CODES AND STANDARDS	FBC, UL, cUL, ANSI/BHMA A156.10, IBC, UBC, BOCA, ICBO, NFPA 101, ASTM E283 (NFRC 400)	

*Contact your Local Sales Representative

** Lower heating and cooling costs by shaving off an average of 1 second of open time by reducing opening. 6' opening on a typical 14' bi-part reduced to 4'.