

BI-FOLD SB 600 SERIES

SB 640 4-PANEL FOLD IN BREAK OUT

PROJECT INFORMATION

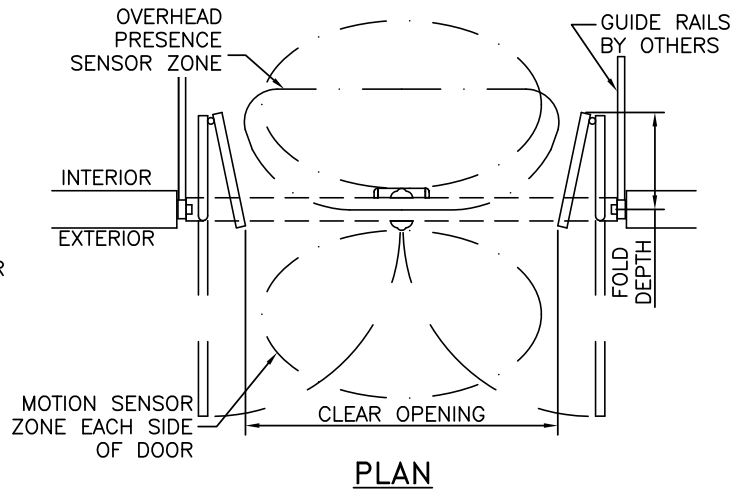
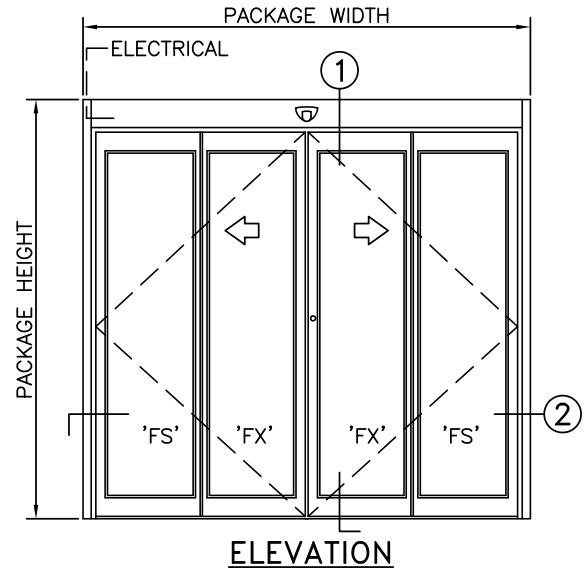
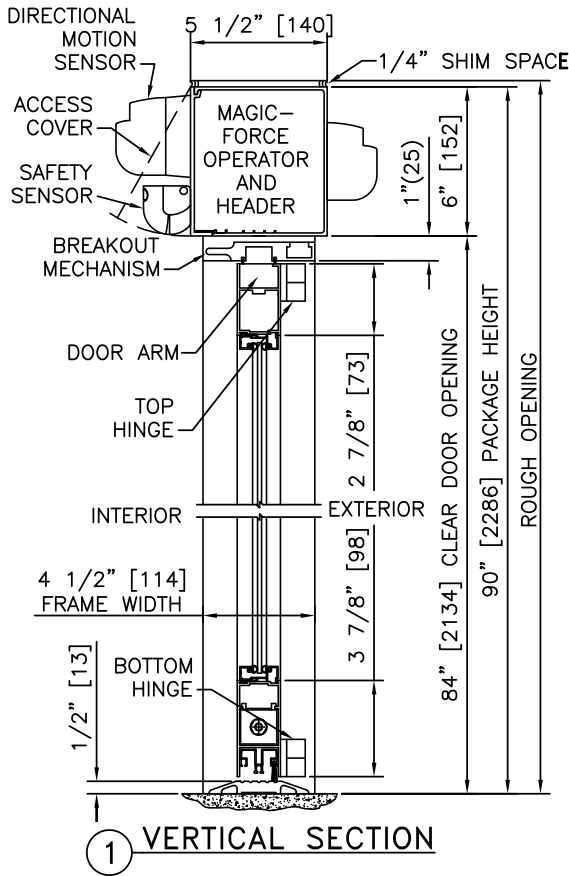
PROJECT NAME:

LOCATION:

DOOR NUMBER(S):

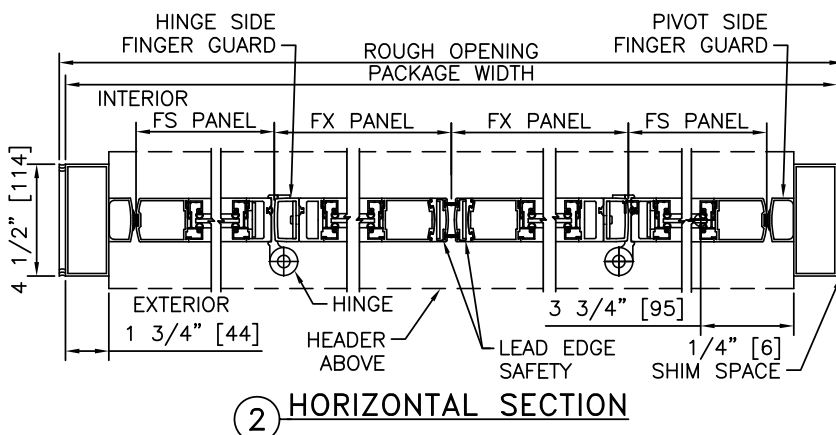
DATE:

SHEET: OF



NOTES

1. ELECTRICAL REQUIREMENTS: 120 VAC, 5 AMP MIN TO POWER OPERATOR BY ELECTRICAL CONTRACTOR.
2. ROUGH OPENING SHALL PROVIDE 1/4" [6] SHIM SPACE ON SIDES AND TOP OF PACKAGE.
3. LIMITS OF ACTIVATION AND SAFETY ZONES ARE FOR REFERENCE ONLY; SEE ANSI/BHMA A156.10 FOR DETAILED REQUIREMENTS.
4. SEE SPECIFICATIONS FOR ADDITIONAL INFORMATION.



TYPICAL PACKAGE DIMENSIONS			
PACKAGE WIDTH	NOMINAL CLEAR DOOR OPENING	DOOR PANEL NOMINAL WIDTH	EMERGENCY BREAKOUT NOM. WIDTH
72"	46.2"	16.6"	59.3"
96"	67.1"	22.6"	83.3"
120"	87.9"	28.6"	107.3"