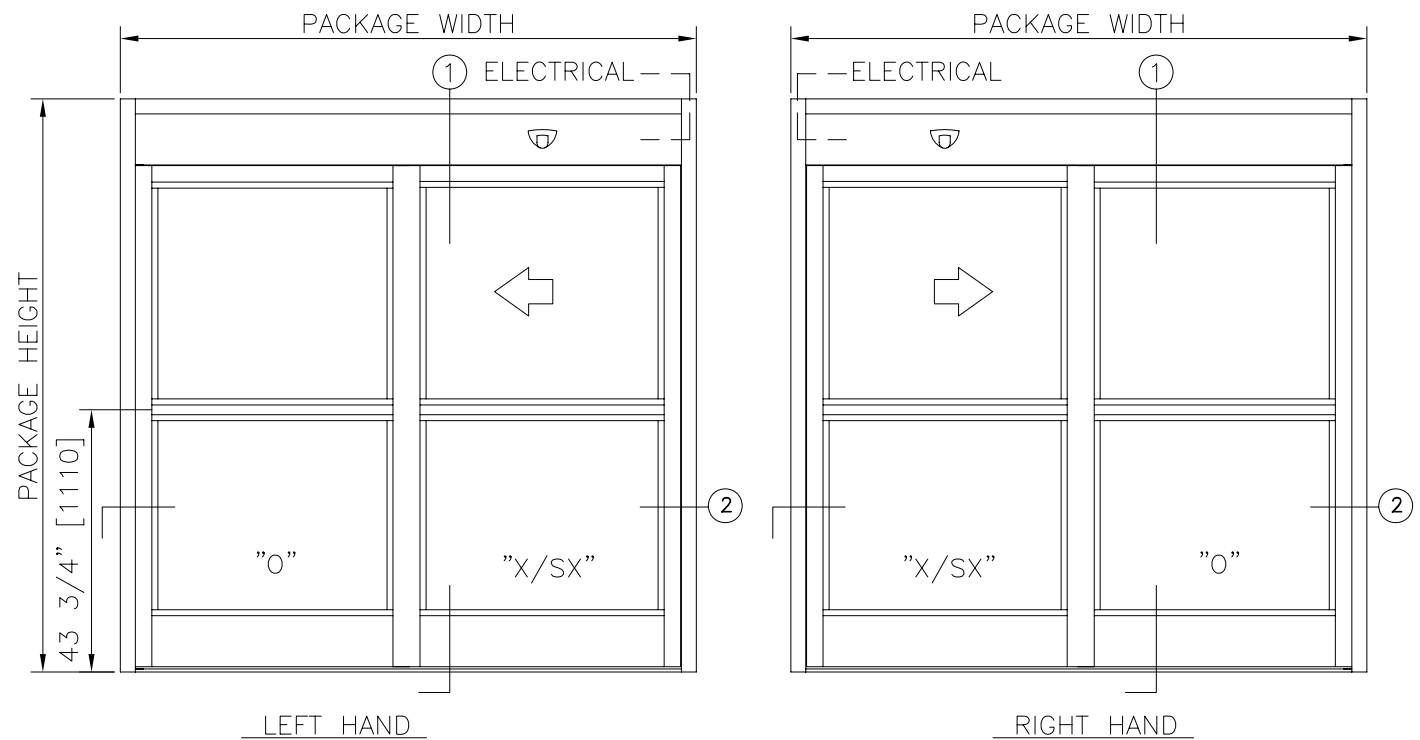


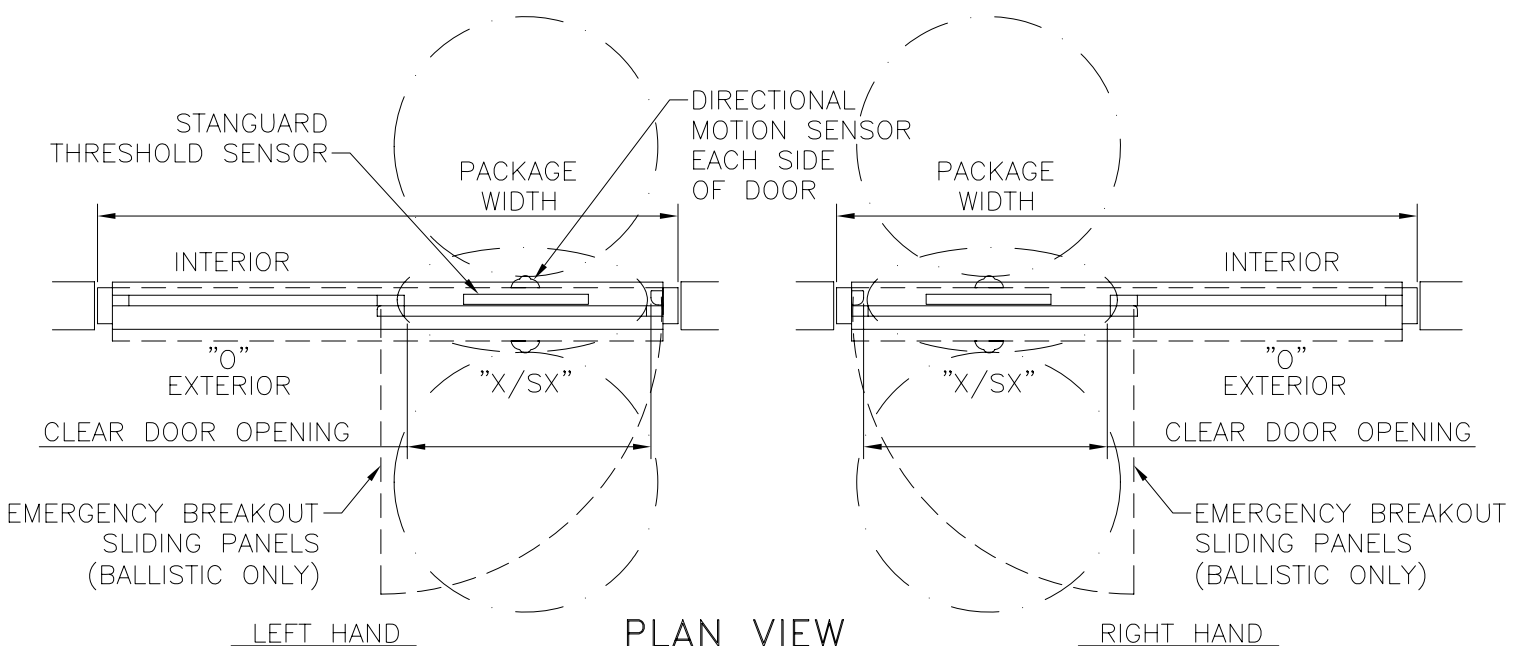


# DURA-SHIELD SECURITY SERIES

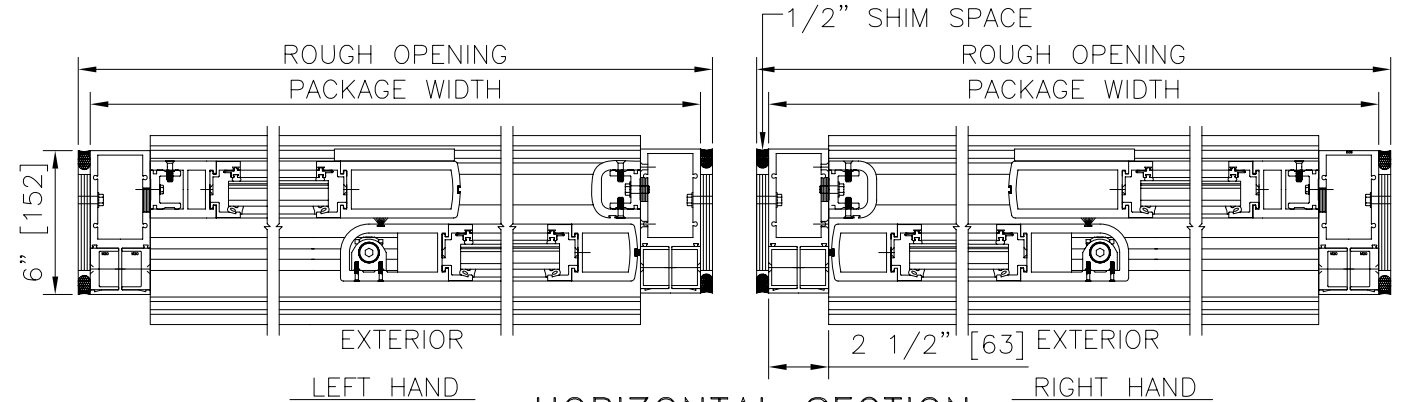
SINGLE SLIDE BALLISTIC/BLAST	
PROJECT INFORMATION	
PROJECT NAME:	
LOCATION:	
DOOR NUMBER(S):	
DATE:	SHEET: OF



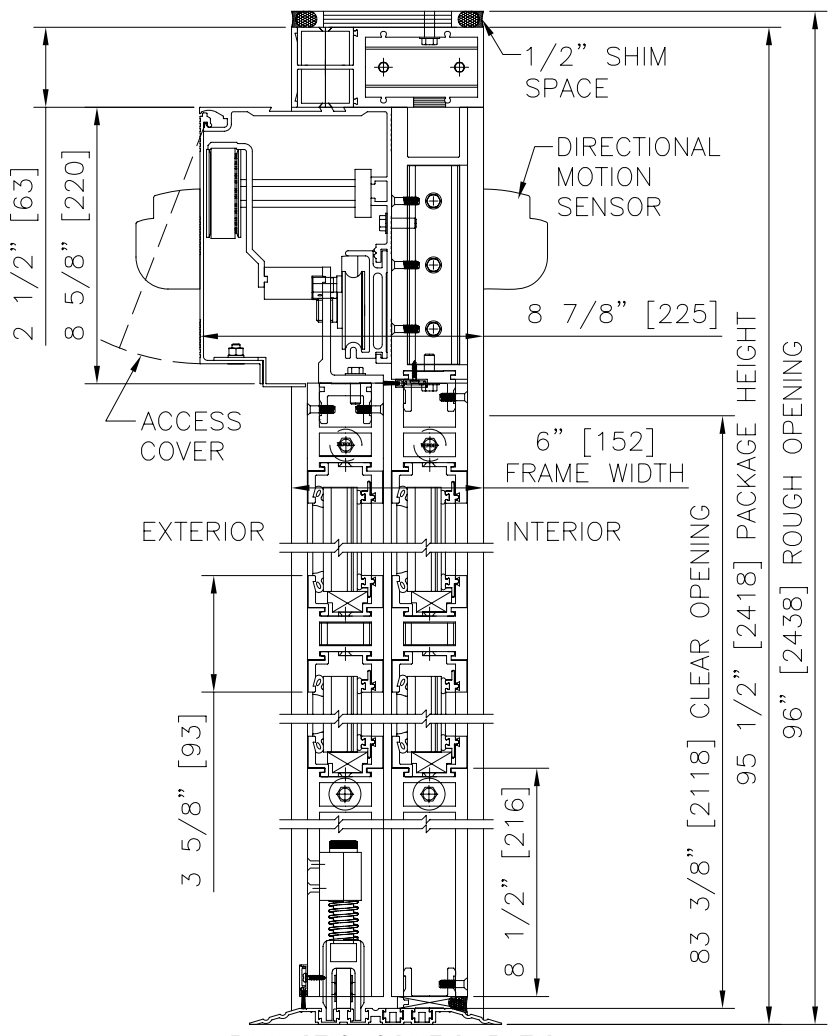
**ELEVATION VIEW**  
SCALE: 3/8" = 1'-0"



**PLAN VIEW**  
SCALE: 3/8" = 1'-0"

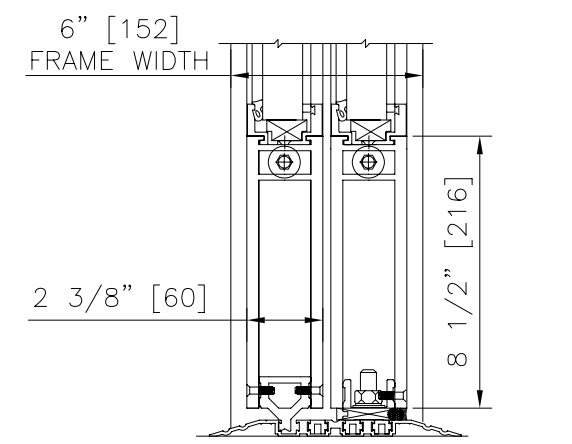


**HORIZONTAL SECTION**  
SCALE: 1 1/2" = 1'-0"



**VERTICAL SECTION**  
SCALE: 2" = 1'-0"

- PRODUCT OPTIONS**
- FINISH**
- ANODIZED CLEAR CL2
  - ANODIZED DK BRONZE
  - CUSTOM
- BOTTOM RAILS**
- 8 1/2" (STD)
  - 2 3/4"
- LOCKING**
- SOLENOID LOCK
- THRESHOLDS**
- SQ/BVL (EXT)
  - SQ/BVL (INT)
  - DBL BVL
  - RECESSED
- ACTIVATION/SAFETY**
- 2 SU-100/STANGUARD
  - 2 STANVISION
- OTHER OPTIONS**
- UNINTERRUPTIBLE POWER SUPPLY
  - FLY OPEN BOX
  - JAMB CAMS



**VERTICAL SECTION**  
SCALE: 2" = 1'-0"

TYPICAL PACKAGE DIMENSIONS			
PACKAGE WIDTH	NOMINAL CLEAR DOOR OPENING	PANEL NOMINAL WIDTH	EMERGENCY BREAKOUT NOM. WIDTH
96"	36 1/16"	47 15/16"	41 9/16"
108"	42 1/16"	53 15/16"	47 9/16"

\*EMERGENCY BREAKOUT NOMINAL WIDTH\* FOR BALLISTIC CONFIGURATION ONLY.

**SINGLE SLIDE BALLISTIC/BLAST**

**DURA-SHIELD SECURITY SERIES**

- NOTES**
- ELECTRICAL REQUIREMENTS: 120 VAC, 10 AMP MIN TO POWER OPERATOR BY ELECTRICAL CONTRACTOR.
  - ROUGH OPENING SHALL PROVIDE 1/2"[6] SHIM SPACE ON SIDES AND TOP OF PACKAGE.
  - LIMITS OF ACTIVATION AND SAFETY ZONES ARE FOR REFERENCE ONLY; SEE ANSI/BHMA A156.10 FOR DETAILED REQUIREMENTS.
  - BLAST ENTRANCES DESIGNED IN COMPLIANCE WITH UFC 4-010-01. BLAST ENTRANCES EXCLUDE BREAKOUT; X-PANEL DESIGN.
  - BALLISTIC ENTRANCES ARE UL 752 LISTED, LEVEL III. BALLISTIC ENTRANCES INCLUDE BREAKOUT; SX-PANEL DESIGN.
  - SEE SPECIFICATIONS FOR ADDITIONAL INFORMATION.