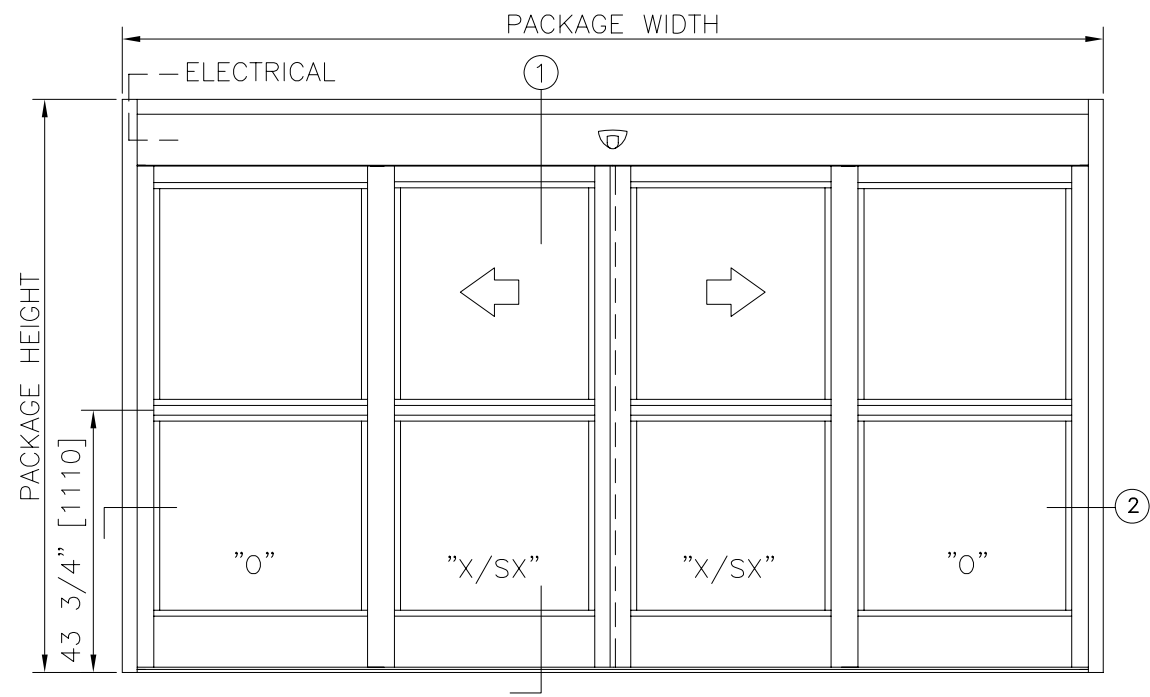


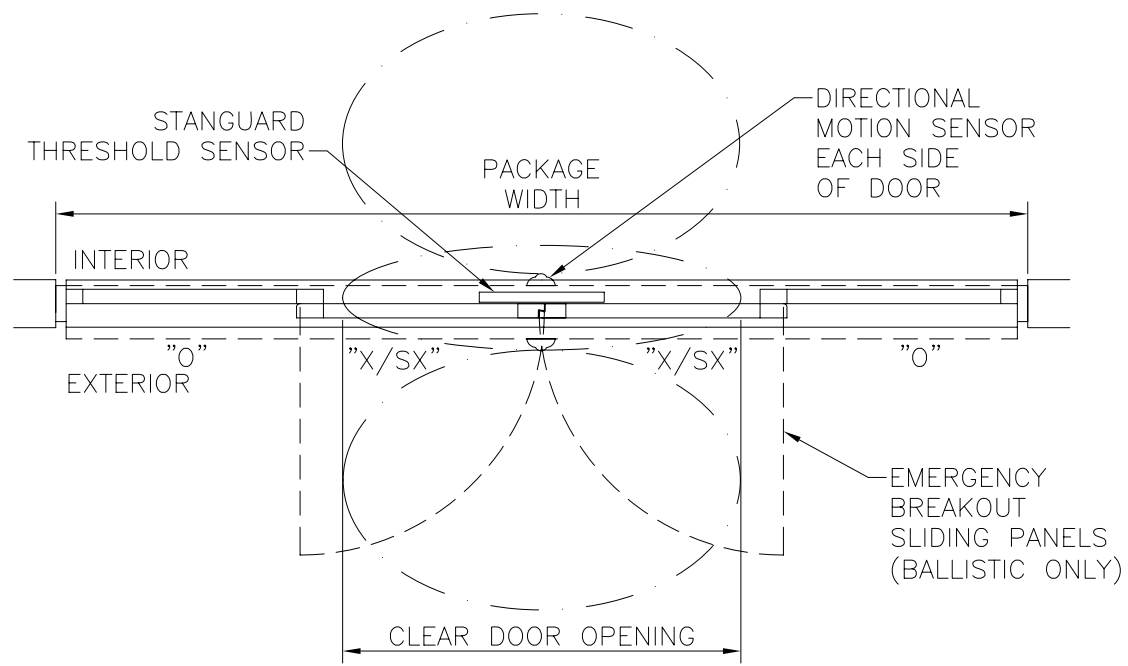


DURA-SHIELD SECURITY SERIES

BI-PARTING BALLISTIC/BLAST	
PROJECT INFORMATION	
PROJECT NAME:	
LOCATION:	
DOOR NUMBER(S):	
DATE:	SHEET: OF

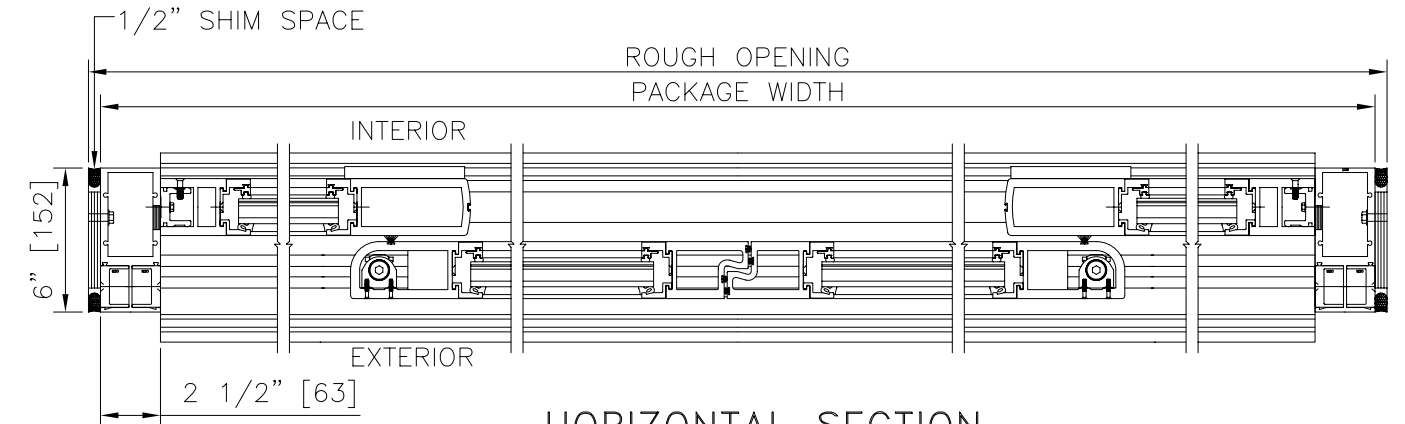


ELEVATION VIEW
SCALE: 3/8" = 1'-0"

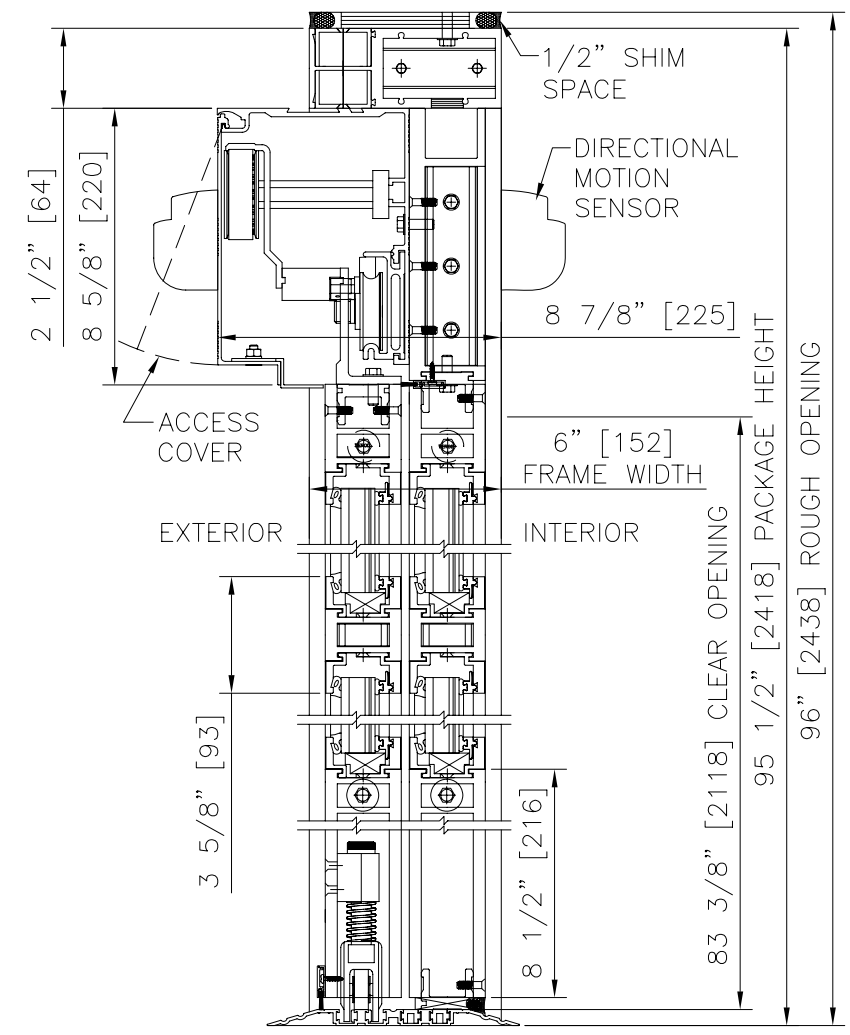


PLAN VIEW
SCALE: 3/8" = 1'-0"

- NOTES**
- ELECTRICAL REQUIREMENTS: 120 VAC, 10 AMP MIN TO POWER OPERATOR BY ELECTRICAL CONTRACTOR.
 - ROUGH OPENING SHALL PROVIDE 1/2"[6] SHIM SPACE ON SIDES AND TOP OF PACKAGE.
 - LIMITS OF ACTIVATION AND SAFETY ZONES ARE FOR REFERENCE ONLY; SEE ANSI/BHMA A156.10 FOR DETAILED REQUIREMENTS.
 - BLAST ENTRANCES DESIGNED IN COMPLIANCE WITH UFC 4-010-01. BLAST ENTRANCES EXCLUDE BREAKOUT; X-PANEL DESIGN.
 - BALLISTIC ENTRANCES ARE UL 752 LISTED, LEVEL III. BALLISTIC ENTRANCES INCLUDE BREAKOUT; SX-PANEL DESIGN.
 - SEE SPECIFICATIONS FOR ADDITIONAL INFORMATION.

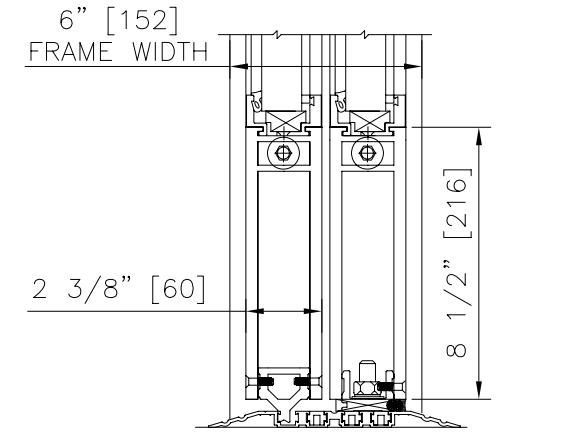


2 HORIZONTAL SECTION
SCALE: 1 1/2" = 1'-0"



1 BALLISTIC CONFIGURATION VERTICAL SECTION
SCALE: 2" = 1'-0"

- PRODUCT OPTIONS**
- FINISH**
- ANODIZED CLEAR CL2
 - ANODIZED DK BRONZE
 - CUSTOM
- BOTTOM RAILS**
- 8 1/2" (STD)
 - 2 3/4"
- LOCKING**
- SOLENOID LOCK
- THRESHOLDS**
- SQ/BVL (EXT)
 - SQ/BVL (INT)
 - DBL BVL
 - RECESSED
- ACTIVATION/SAFETY**
- 2 SU-100/STANGUARD
 - 2 STANVISION
- OTHER OPTIONS**
- UNINTERRUPTIBLE POWER SUPPLY
 - FLY OPEN BOX
 - JAMB CAMS



1 BLAST CONFIGURATION VERTICAL SECTION
SCALE: 2" = 1'-0"

MAXIMUM PACKAGE DIMENSIONS				
PACKAGE WIDTH	NOMINAL CLEAR DOOR OPENING	SLIDE PANEL NOMINAL WIDTH	FIXED PANEL NOMINAL WIDTH	EMERGENCY BREAKOUT NOM. WIDTH
168"	68 5/8"	42 7/16"	41 3/4"	79 1/4"

EMERGENCY BREAKOUT NOMINAL WIDTH FOR BALLISTIC CONFIGURATION ONLY.

BI-PARTING BALLISTIC/BLAST

DURA-SHIELD SECURITY SERIES