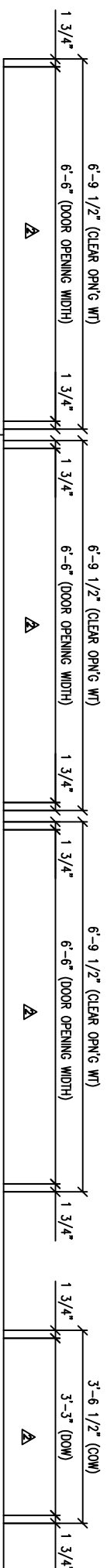


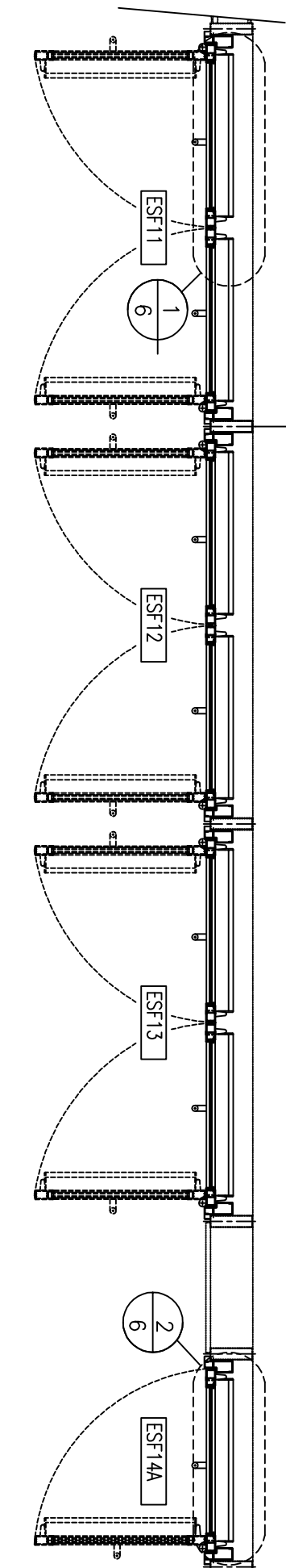
**FINISH NOTE:**  
 FINISH= ST.ST. No.4 FINISH  
 DR. WG. GLASS TINT= CLEAR

**NOTE:** ALL OPENING WIDTHS CONFIRMED  
 FROM SITE VISIT DEC 7/00



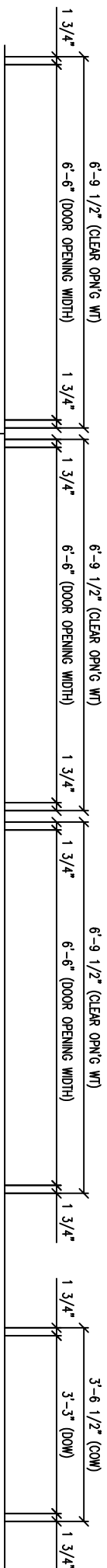
**ESF11,12,13 HARDWARE LIST:**

1. RIXON FLOOR CLOSER PH2790AH0 x SC x CNF US28D w/ TOP PIVOT.
2. RIXON INTERMEDIATE PIVOT CS-M19 US28D.
3. VON DUPRIN 5547ED PANIC DEVICE x US32D.
4. VON DUPRIN CYLINDER.
5. VON DUPRIN OVERHEAD STOP #1 CONCEALED US28D.
6. ELKES PULL HANDLE T34-01-001 - US32D AT 50 1/8" CENTERS



**ESF14A HARDWARE LIST:**

1. RIXON FLOOR CLOSER PH2790AH0 x SC x CNF US28D w/ TOP PIVOT.
2. RIXON INTERMEDIATE PIVOT CS-M19 US28D.
3. VON DUPRIN 5547ED PANIC DEVICE x US32D.
4. VON DUPRIN OVERHEAD STOP #1 CONCEALED US28D.
5. ELKES PULL HANDLE T34-01-001- US32D AT 50 1/8" CENTERS
6. MAGIC FORCE POWER OPERATOR



**ESF07,8,9 HARDWARE LIST:**

1. RIXON FLOOR CLOSER PH2790AH0 x SC x CNF US28D w/ TOP PIVOT.
2. RIXON INTERMEDIATE PIVOT CS-M19 US28D.
3. VON DUPRIN 5547ED x 555NL PANIC DEVICE x CYLINDER ASSY. x REINFORCED CROSSBAR x US32D.
4. VON DUPRIN CYLINDER.
5. VON DUPRIN OVERHEAD STOP #1 CONCEALED US28D.
6. ELKES PULL HANDLE T34-01-001 - US32D AT 50 1/8" CENTERS

**ESF10A HARDWARE LIST:**

1. RIXON FLOOR CLOSER PH2790AH0 x SC x CNF US28D w/ TOP PIVOT.
2. RIXON INTERMEDIATE PIVOT CS-M19 US28D.
3. VON DUPRIN 5547ED x 555NL PANIC DEVICE x CYLINDER ASSY. x REINFORCED CROSSBAR x US32D.
4. VON DUPRIN CYLINDER.
5. VON DUPRIN OVERHEAD STOP #1 CONCEALED US28D.
6. ELKES PULL HANDLE T34-01-001- US32D AT 50 1/8" CENTERS
7. MAGIC FORCE POWER OPERATOR

**SOUTHWEST ENTRANCE PLAN**

SCALE: 3/4"=1'-0"

Date	REVISIONS	By	Issue
3/29/00	REVISED AS NOTED	JV	Δ
5/29/00	REVISED AS NOTED	JV	Δ
No.	ISSUED	Date	
Δ	FOR APPROVAL	1/7/2000	
Δ	FOR APPROVAL	4/2/00	
Δ	FOR APPROVAL	6/6/00	
Δ	REVISED AS NOTED	MW, 10/00	
Δ	REVISED AS NOTED	EC 21/00	

**IMPORTANT NOTICE**

C.J.Rush Industries wishes to bring to your attention the following, for which we assume NO RESPONSIBILITY:  
 (1) The use of these drawings by other parties is the sole responsibility of that party as to site conditions, measurements, etc..  
 (2) Movement of structures by forces causing mis-alignment and improper function of our product.  
 (3) Results of glass breakage causing bodily harm through improper use or mishandling.

NOTE—Available for use in limited areas are bent/unbent glass in lieu of bent/annealed plate glass.  
 —Specifications prevail at time of quotation issued by C.J.Rush Industries.

**SPECIAL REFERENCE NOTE**

Very often the method of manufacturing as shown on these shop drawings are a development of the skills of the company. Any reproduction and/or distribution in whole or in part, without expressed or written consent is strictly prohibited.  
 C.J.Rush Industries.



REVOLVING DOORS  
 HANDICAP DOORS  
 SECURITY DOORS  
 CUSTOM ARCHITECTURAL  
 METAL WORKS

A DIVISION OF CHARGE INDUSTRIES, INC.  
 65 RIVERA DRIVE MARKHAM, ON L3R 5J6  
 ONTARIO, CANADA Tel. 905-944-8005  
 1-888-301-5407 FAX No. 905-944-8006

**SWING DOOR PIVOTS**

<b>BUILDING</b>	
<b>LOCATION</b>	
<b>ARCH-ENG.</b>	
<b>CONTRACTOR</b>	
Drawn by	Job No.
Checked by	
Scale	AS SHOWN
Date	8/3/99
Finish	AS SHOWN
Dwg. No.	SWPDR-001