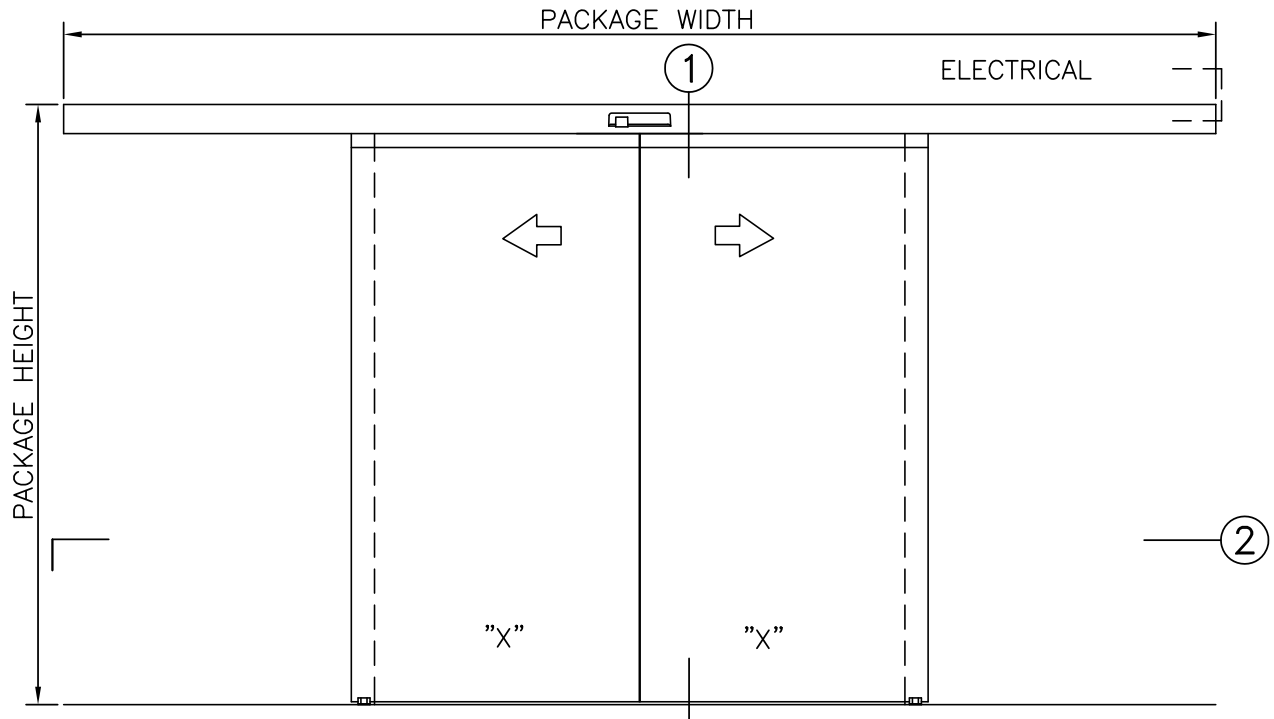


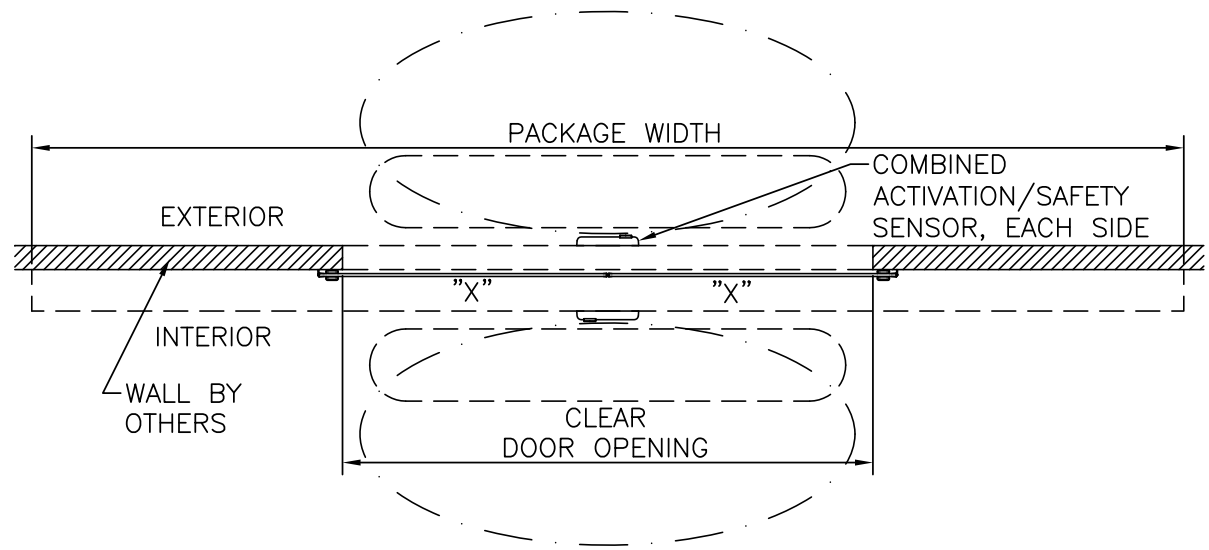


DURA-GLIDE SLH SERIES

BI-PARTING SLIM LINE HEADER, ALL-GLASS & UTILITY	
PROJECT INFORMATION	
PROJECT NAME:	
LOCATION:	
DOOR NUMBER(S):	
DATE:	SHEET: OF

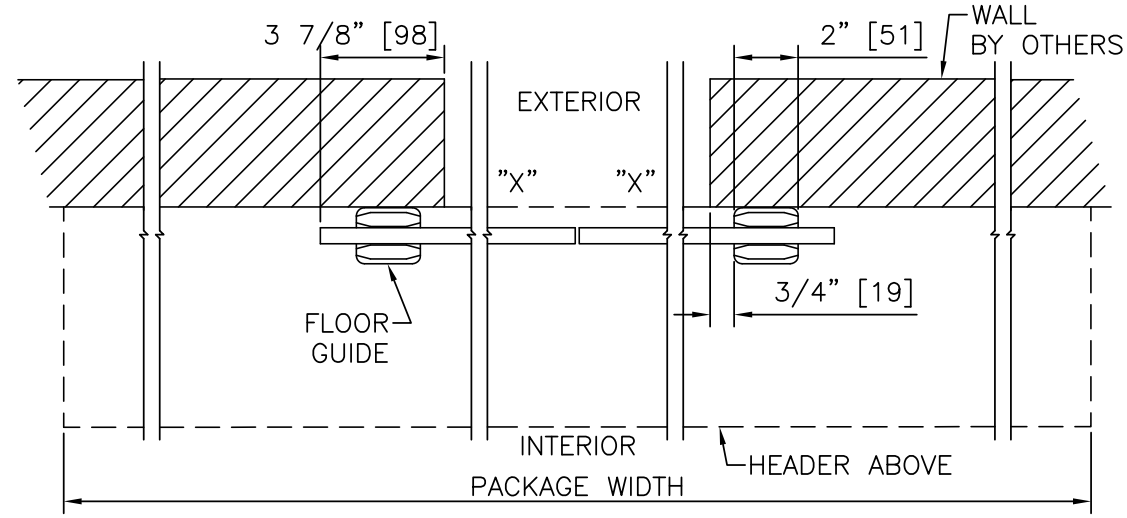


ELEVATION VIEW
VIEWED FROM INTERIOR
SCALE: 3/8" = 1'-0"

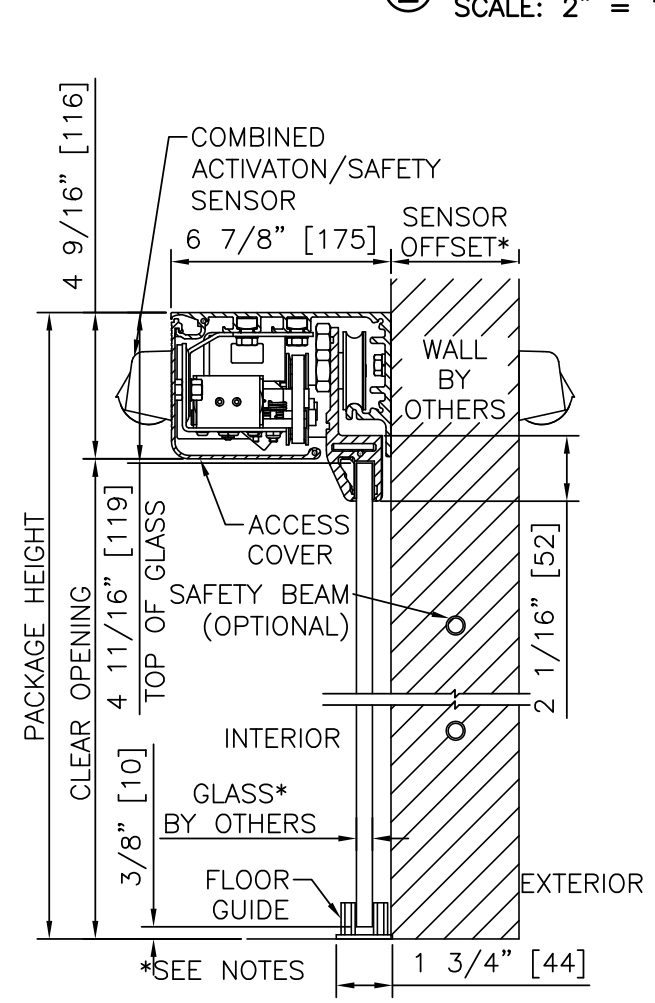


PLAN VIEW
SCALE: 3/8" = 1'-0"

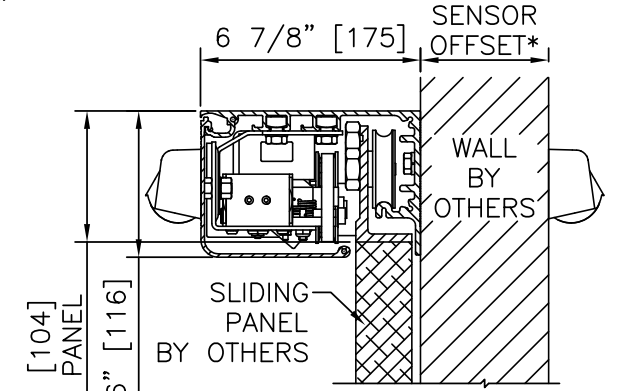
- NOTES**
- ELECTRICAL REQUIREMENTS: 240 VAC 2.5 AMP, MIN TO POWER OPERATOR BY ELECTRICAL CONTRACTOR.
 - STANDARD GLAZING IS 1/2" [12.7]; SEE AVAILABLE OPTIONS UNDER "PRODUCT OPTIONS". COORDINATE WITH ADJ. FLOOR GUIDE.
 - LIMITS OF ACTIVATION AND SAFETY ZONES ARE FOR REFERENCE ONLY; SEE ANSI/BHMA A156.10 FOR DETAILED REQUIREMENTS.
 - MAXIMUM SENSOR OFFSET FOR COMPLIANCE WITH ANSI/BHMA A156.10 IS 10 3/4"[272] AT A MOUNTING HEIGHT OF 84 1/8"[2136].
 - WHEN UTILITY HANGER OPTION IS USED, DOOR PANEL AND ATTACHMENT HARDWARE ARE BY OTHERS. MAXIMUM PANEL THICKNESS IS 1 7/8" [48 MM].
 - FINISH IS CLEAR ANODIZED, CLASS II
 - SEE SPECIFICATIONS FOR ADDITIONAL INFORMATION.



② HORIZONTAL SECTION
SCALE: 2" = 1'-0"



① VERTICAL SECTION
SCALE: 2" = 1'-0"
(ALL GLASS)



① VERTICAL SECTION
SCALE: 2" = 1'-0"
(UTILITY HANGER)

- PRODUCT OPTIONS**
- HANGER TYPE**
- ALL GLASS
 - UTILITY
- LOCKING**
- NONE
 - SOLENOID LOCK SECURE (AUTOMATIC)
 - SOLENOID LOCK SAFE (AUTOMATIC)
- GLASS**
- 12 mm [0.47"]
 - 10 mm [0.39"]
 - 1/2" [12.7]
 - 3/8" [9.5]
- ACTIVATION/SAFETY**
- NONE
 - 2 COMBINED ACTIVATION/SAFETY SENSORS
 - 2 COMBINED ACTIVATION/SAFETY + 2 BEAMS
- OTHER OPTIONS**
- ROCKER CONTROL SWITCH (STD)
 - ECO PRO CONTROL UNIT
 - UNINTERRUPTIBLE POWER SUPPLY

TYPICAL PACKAGE DIMENSIONS		
PACKAGE WIDTH	NOMINAL CLEAR DOOR OPENING	DOOR PANEL NOMINAL WIDTH
169.3"[4300]	77.0"[1956]	42.4"[1077]

BI-PARTING SLIM LINE HEADER, ALL-GLASS & UTILITY

DURA-GLIDE SLH SERIES

**DURA-GLIDE
SLH
SERIES**

BI-PARTING SLIM LINE HEADER, ALL GLASS & UTILITY

PROJECT INFORMATION

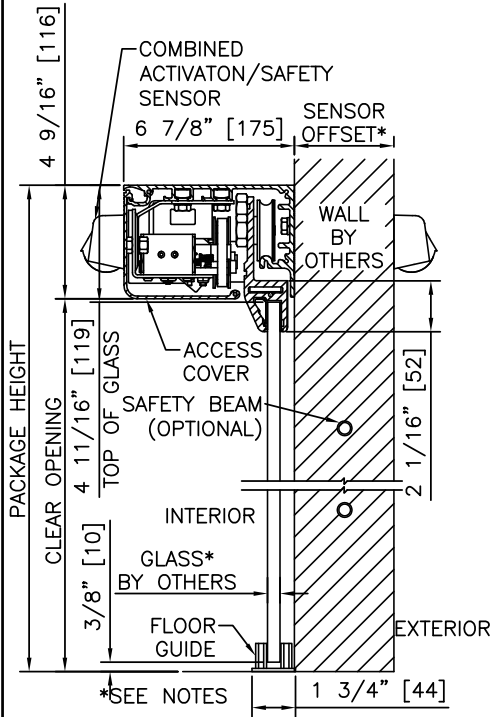
PROJECT NAME:

LOCATION:

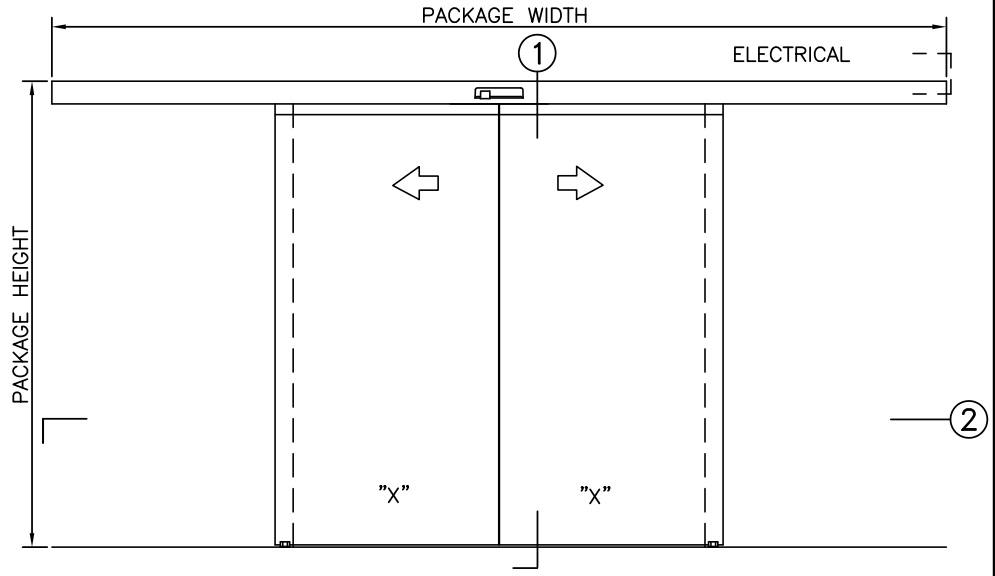
DOOR NUMBER(S):

DATE:

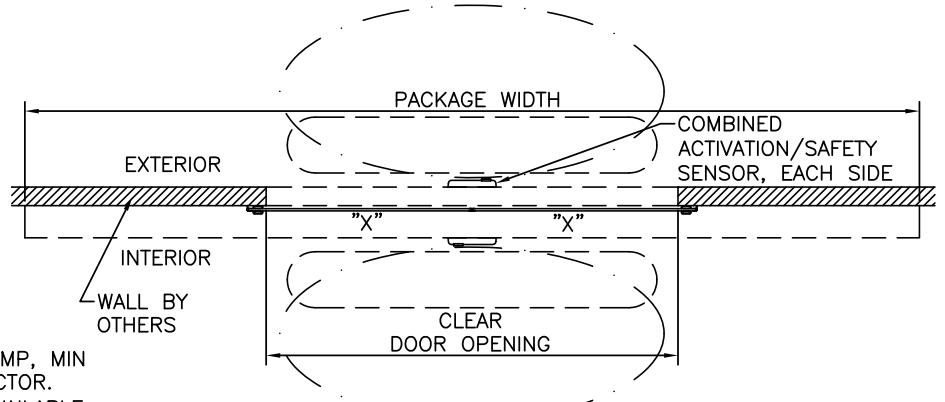
SHEET: OF



① VERTICAL SECTION



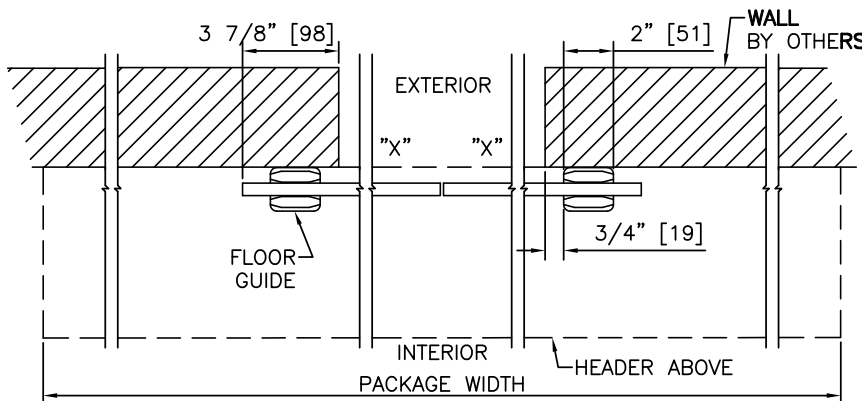
ELEVATION



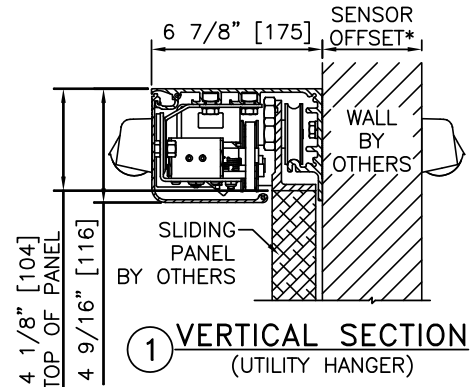
PLAN

NOTES

1. ELECTRICAL REQUIREMENTS: 240 VAC 2.5 AMP, MIN TO POWER OPERATOR BY ELECTRICAL CONTRACTOR.
2. STANDARD GLAZING IS 1/2" [12.7]; SEE AVAILABLE OPTIONS UNDER "PRODUCT OPTIONS". COORDINATE WITH ADJ. FLOOR GUIDE.
3. LIMITS OF ACTIVATION AND SAFETY ZONES ARE FOR REFERENCE ONLY; SEE ANSI/BHMA A156.10 FOR DETAILED REQUIREMENTS.
4. SEE SPECIFICATIONS FOR ADDITIONAL INFORMATION.



② HORIZONTAL SECTION



① VERTICAL SECTION (UTILITY HANGER)

TYPICAL PACKAGE DIMENSIONS		
PACKAGE WIDTH	NOMINAL CLEAR DOOR OPENING	DOOR PANEL NOMINAL WIDTH
169.3"[4300]	77.0"[1956]	42.4"[1077]