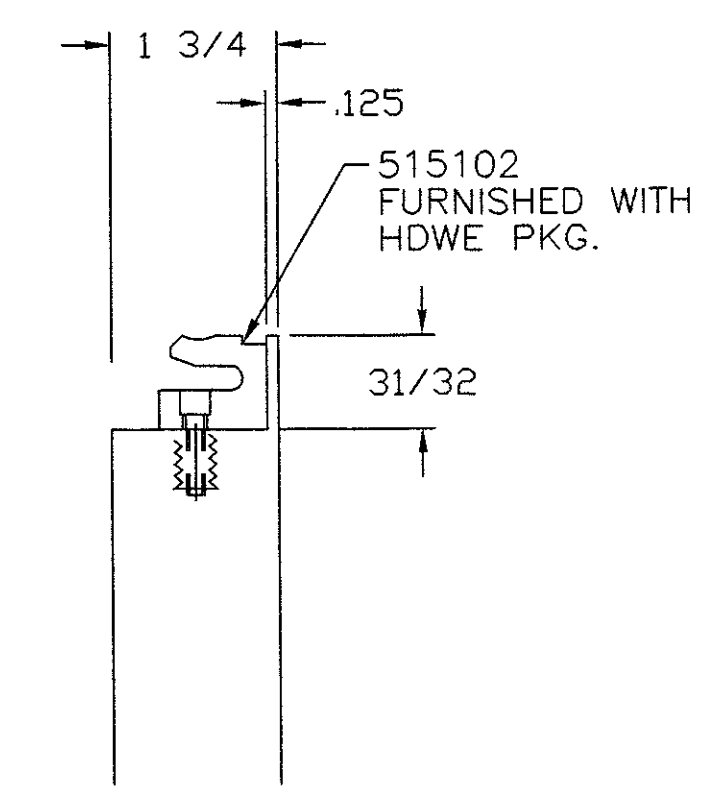
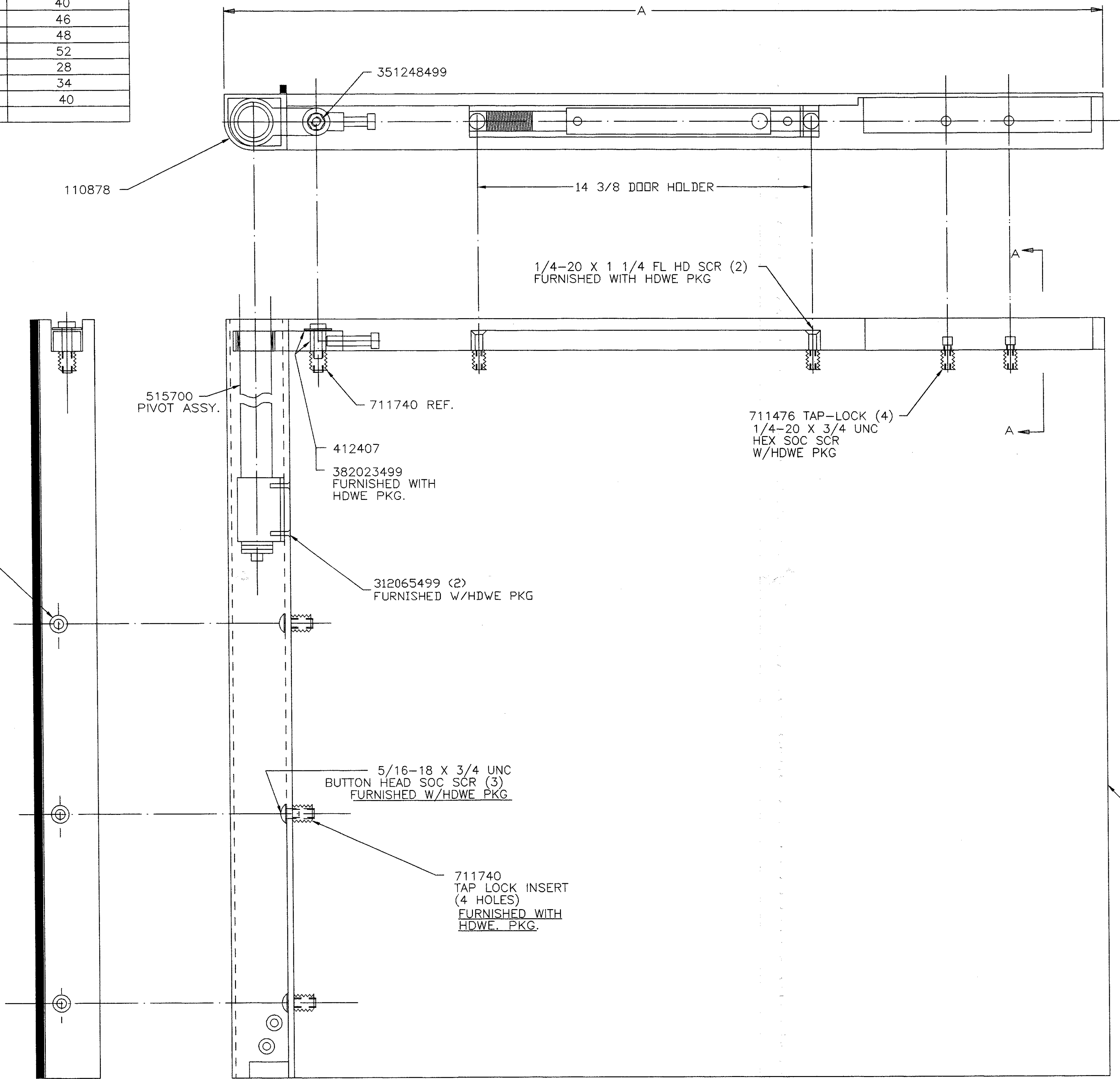


REV	ECN NO	DATE	DESCRIPTION	DRAWN	APPROVED
A	96-1-8	10/21/96	INITIAL RELEASE	T.J.S. 9/10/96	P.J.L.
B	99-89	2/3/00	PICTORIAL UPDATE 110904	RWH	WLD

MODEL NO.	OVERALL WIDTH "A" ±.031	WOOD WIDTH "B" ±.031
2036	42	40
2042	48	46
2044	50	48
2048	54	52
2248	30	28
2260	36	34
2272	42	40



SECTION A-A

INSTALLATION
FOR MOST WOOD APPLICATIONS INCLUDING MEDIUM HARD AND HARD WOOD THE INSERT SHOULD BE INSTALLED SLOT OR HOLE DOWN. THE CUTTING ACTION AT THE SLOTTED OR HOLE SECTION ALLOWS A FREER INSTALLATION AND AVOIDS RADIAL STRESSES WHICH MAY OTHERWISE SPLIT THE WOOD.

IN SOFT WOODS, THE INSERT SHOULD BE INSTALLED SLOT OR HOLE UP. THE INSERT IS THEN THREAD FORMING, SIMILAR TO A WOOD SCREW. THE ABSENCE OF CUTTING PROVIDES A FIRM ANCHOR IN THE RELATIVELY SOFT WOOD.

NOTE: FOR INSTALLATIONS OF INSERTS, FASTEN SCREW INTO INSERT AND THREAD COMPLETE INSERT INTO DRILLED HOLES.

<p>DO NOT SCALE DRAWING</p> <p>UNLESS OTHERWISE SPECIFIED TOLERANCES LINEAR DIMENSIONS ±.015 ANGULAR DIMENSIONS ±1° SURFACE FINISH: 32 DIMENSIONS ARE IN INCHES BREAK SHARP EDGES .015x45° MIN. FILLET RADIUS .015 R</p> <p>THIS DOCUMENT IS THE PROPERTY OF THE STANLEY WORKS AND IS FURNISHED ON THE CONDITION THAT IT IS NOT TO BE DISCLOSED, REPRODUCED IN WHOLE OR IN PART, OR USED FOR MANUFACTURE FOR ANYONE OTHER THAN THE STANLEY WORKS WITHOUT ITS WRITTEN CONSENT.</p> <p>NEXT ASSY:</p>	QTY	ITEM	PART NO.	DESCRIPTION
	DRAWN: T.J.S. 9/12/96		STANLEY ACCESS TECHNOLOGIES	
	CHECKED: J. ROBIDA 10/21/96		DIVISION OF THE STANLEY WORKS, FARMINGTON, CT, USA	
	APPROVED: P. LOMBARDI 10/21/96		TITLE: SX DOOR ASSY RH (WOOD) DESIGNER PACKAGE	
MATERIAL:		PRODUCT LINE: DURA GLIDE 2000 DESIGNER		
FINISH:		SIZE: D	DWG NO. 110905	REV: B
SCALE: 1:1		SHEET 1 OF 1		DWG NO. 110905